



US00D660480S

(12) **United States Design Patent**
Gotschke et al.

(10) **Patent No.:** **US D660,480 S**
(45) **Date of Patent:** **** May 22, 2012**

(54) **VEHICLE FOGLIGHT**

(75) Inventors: **Golfgang Gotschke**, Köln (DE); **Berk Keskin**, Köln (DE)

(73) Assignee: **Ford Global Technologies, LLC**, Dearborn, MI (US)

(**) Term: **14 Years**

(21) Appl. No.: **29/382,810**

(22) Filed: **Jan. 7, 2011**

(51) **LOC (9) Cl.** **26-06**

(52) **U.S. Cl.** **D26/28**

(58) **Field of Classification Search** D26/28-36;
362/459-468, 475-478, 485-487
See application file for complete search history.

(56) **References Cited**

U.S. PATENT DOCUMENTS

D550,380 S *	9/2007	Lin	D26/28
D550,383 S *	9/2007	Asai	D26/28
D570,015 S *	5/2008	Hsu	D26/28
D573,282 S *	7/2008	Hsu	D26/28

OTHER PUBLICATIONS

Ford Kuga, Frankfurt Motot Show, Sep. 11, 2007.
Ford Kuga, Geneva Auto Show, Mar. 2, 2010.

* cited by examiner

Primary Examiner — Marcus Jackson

(74) *Attorney, Agent, or Firm* — Damian Porcari

(57) **CLAIM**

The ornamental design for a vehicle foglight, as shown and described.

DESCRIPTION

FIG. 1 is a left side elevational view of a left vehicle foglight (the right vehicle foglight being a mirror image and is not shown);

FIG. 2 is a right side elevational view of the vehicle foglight;

FIG. 3 is a front elevational view of the vehicle foglight;

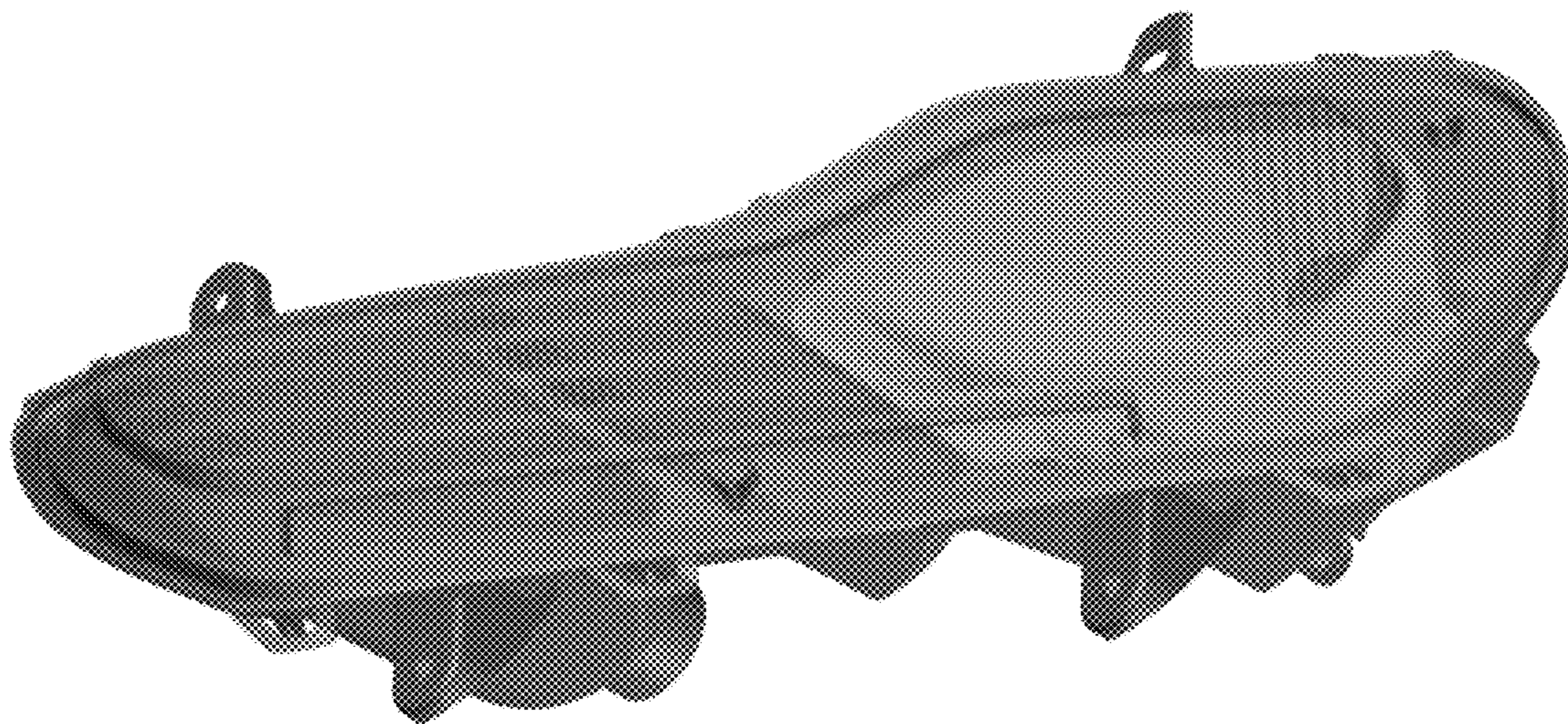
FIG. 4 is a top plan view of the vehicle foglight;

FIG. 5 is a bottom plan view of the vehicle foglight;

FIG. 6 is a perspective view of the vehicle foglight; and,

FIG. 7 is another perspective view of the vehicle foglight.

1 Claim, 7 Drawing Sheets



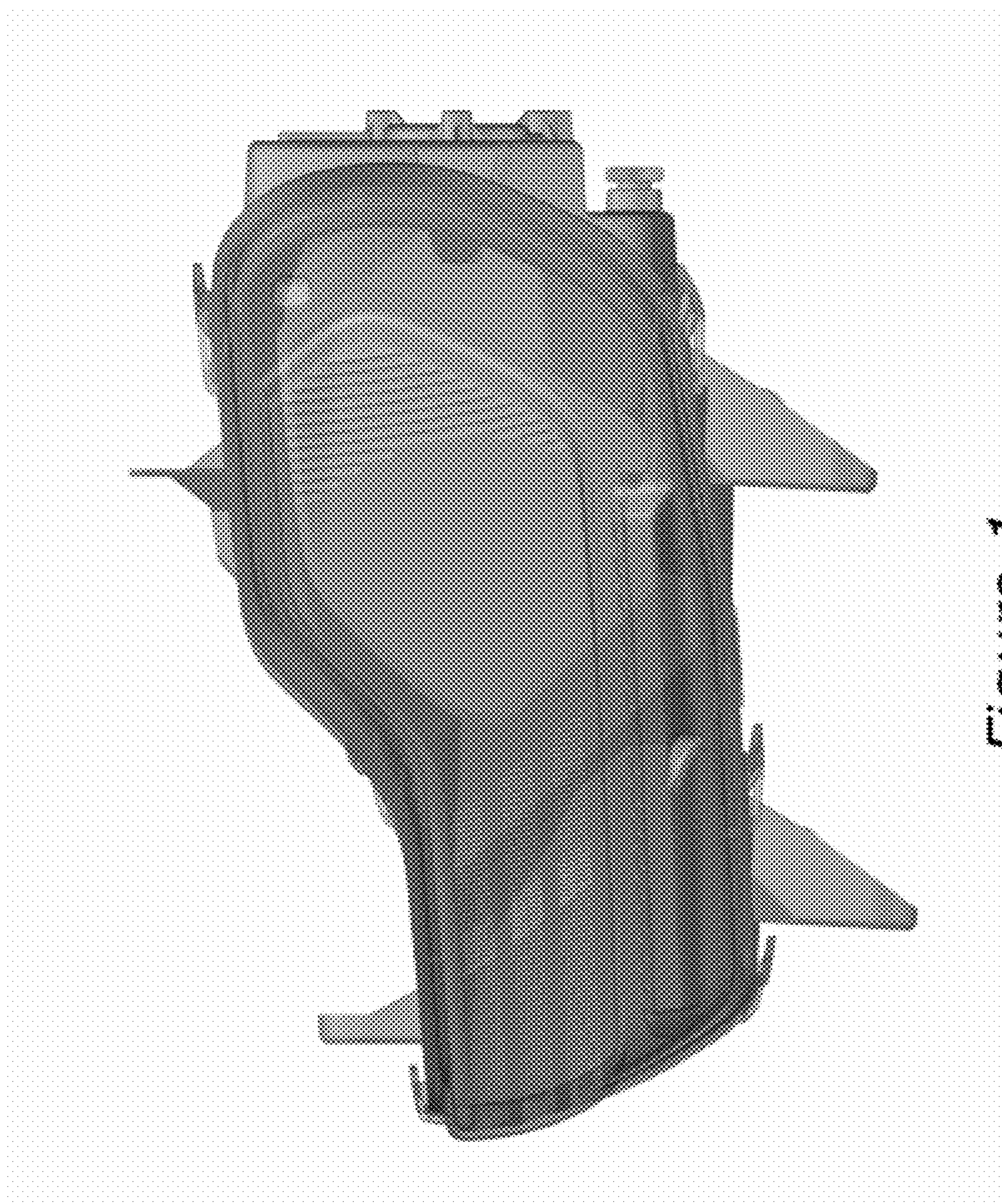


Figure 1

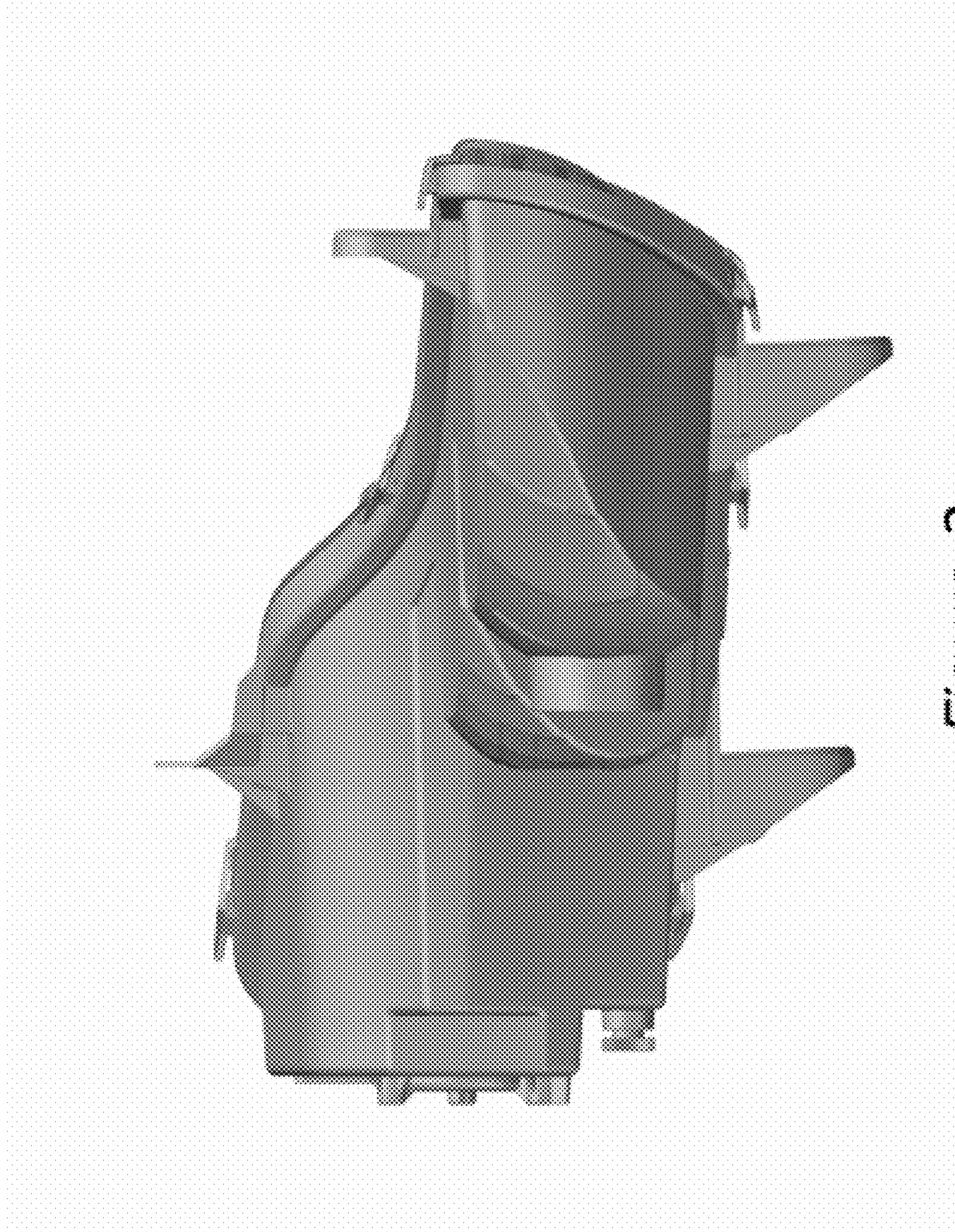


Figure 2

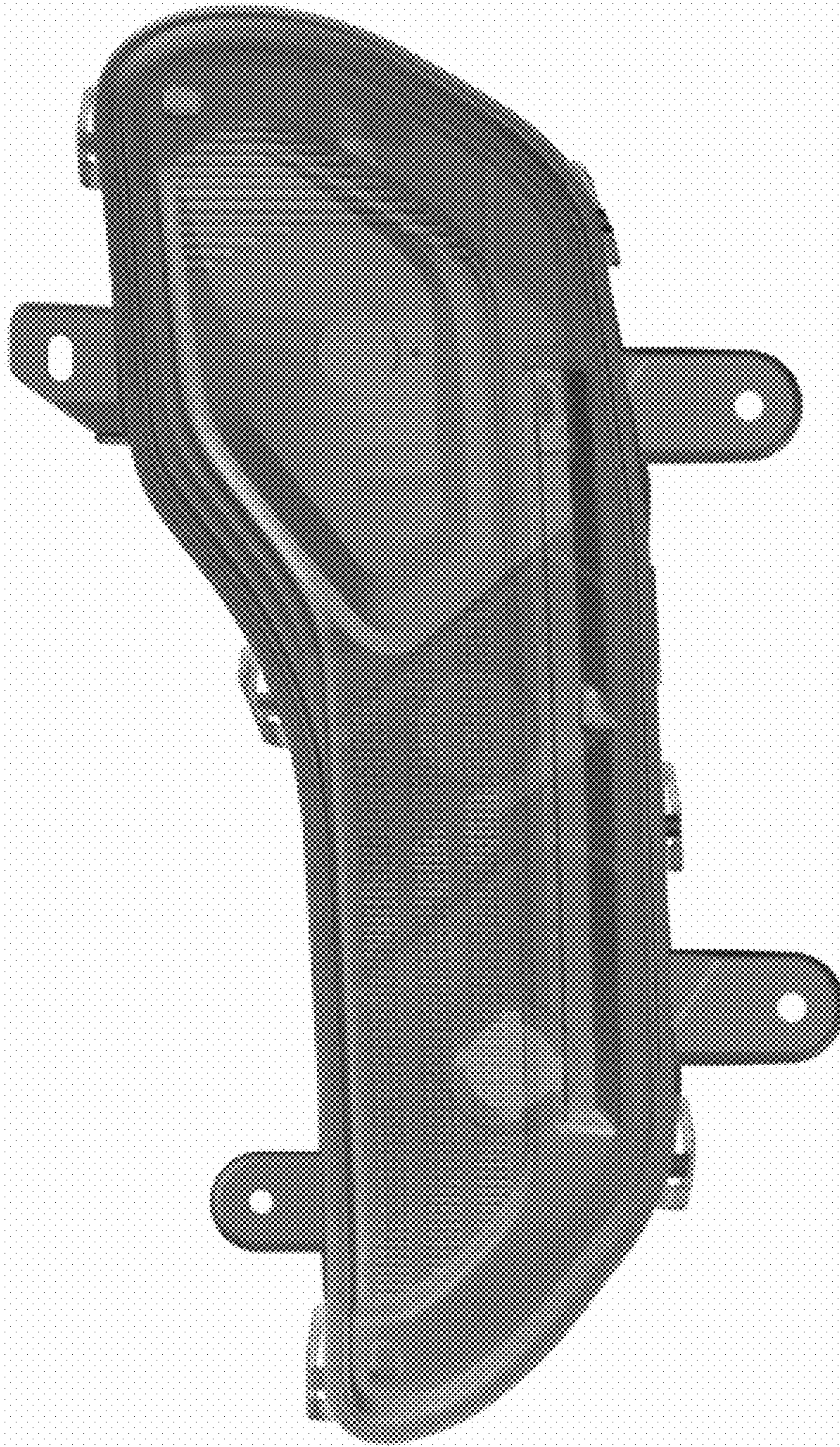


Figure 3

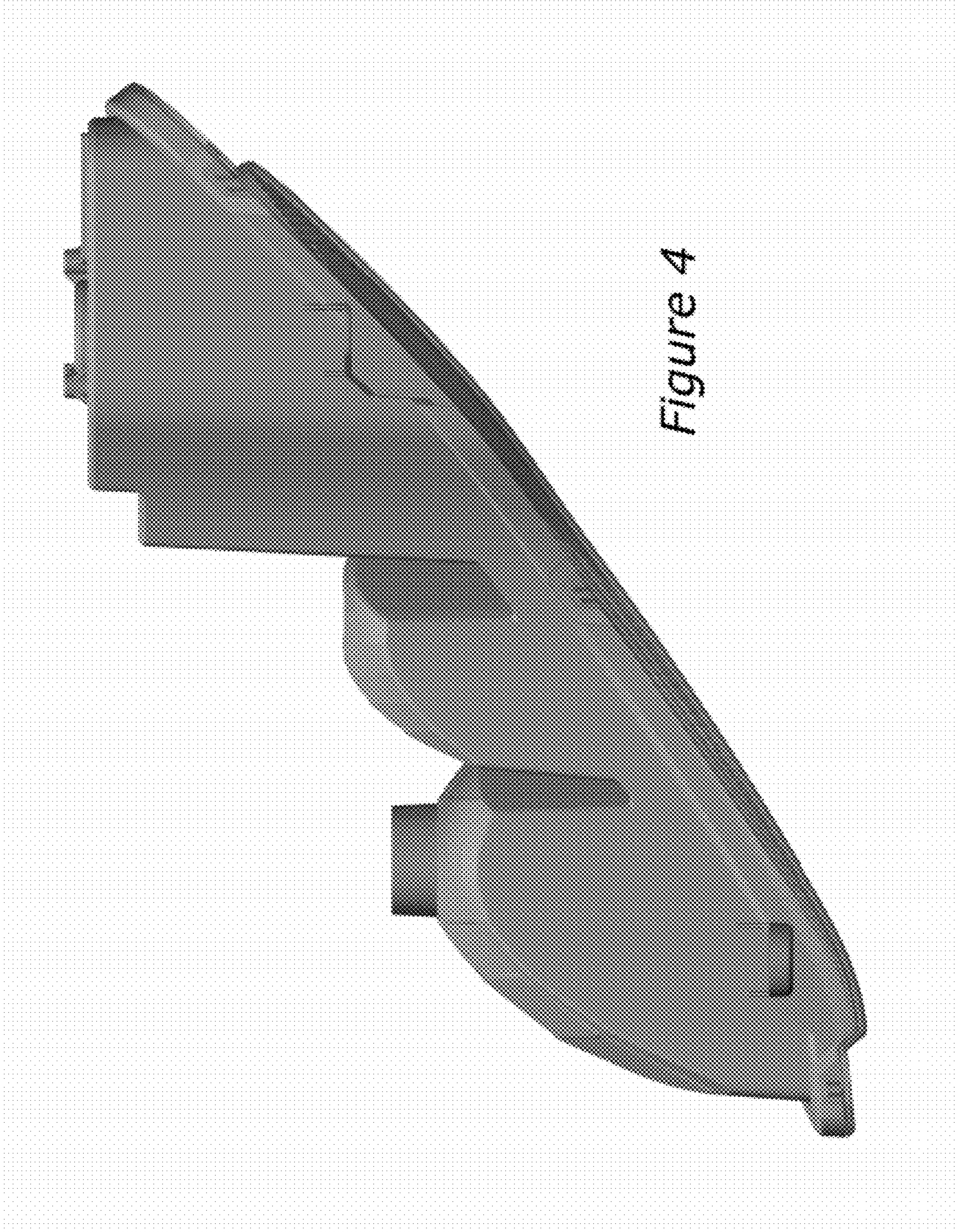
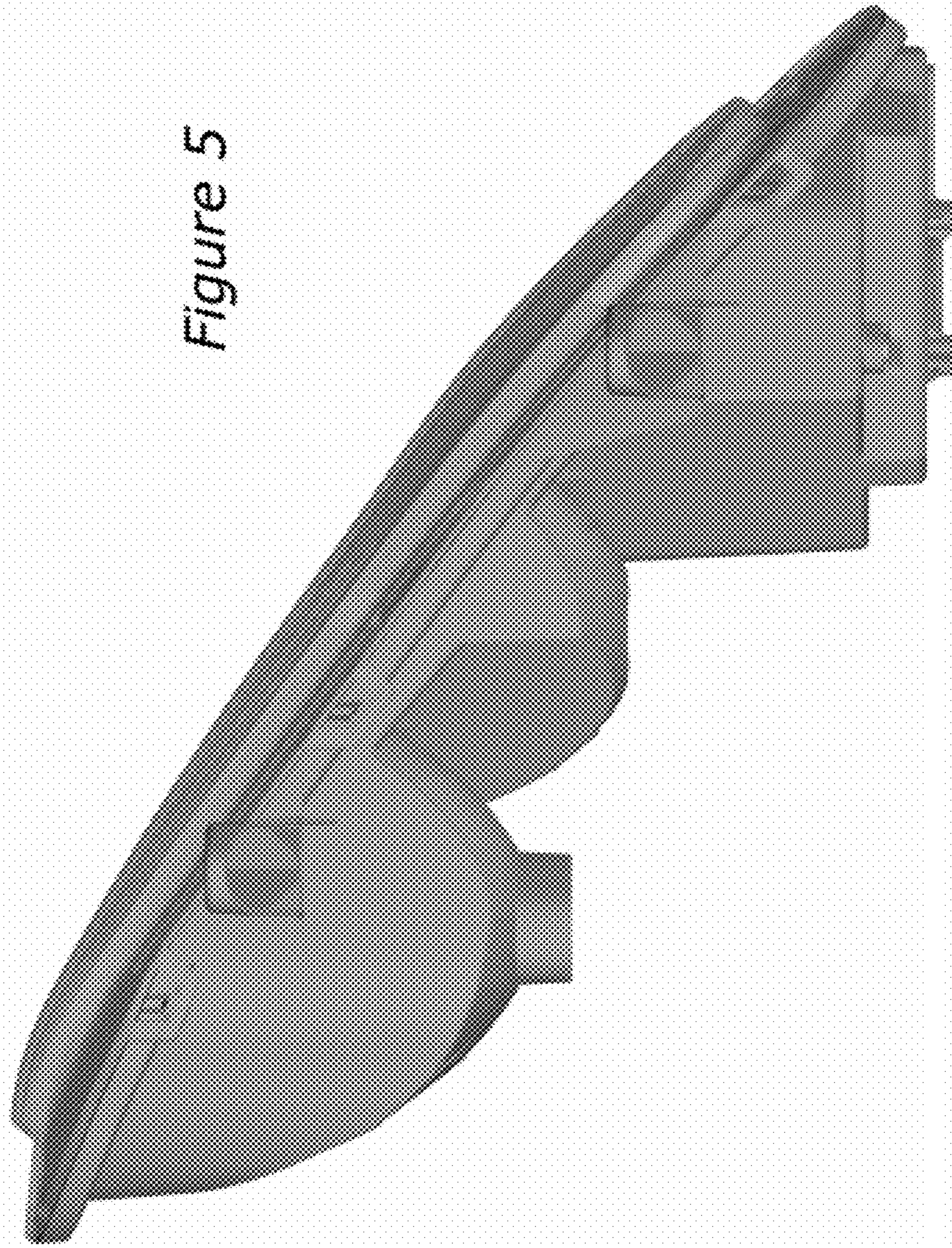


Figure 4

Figure 5



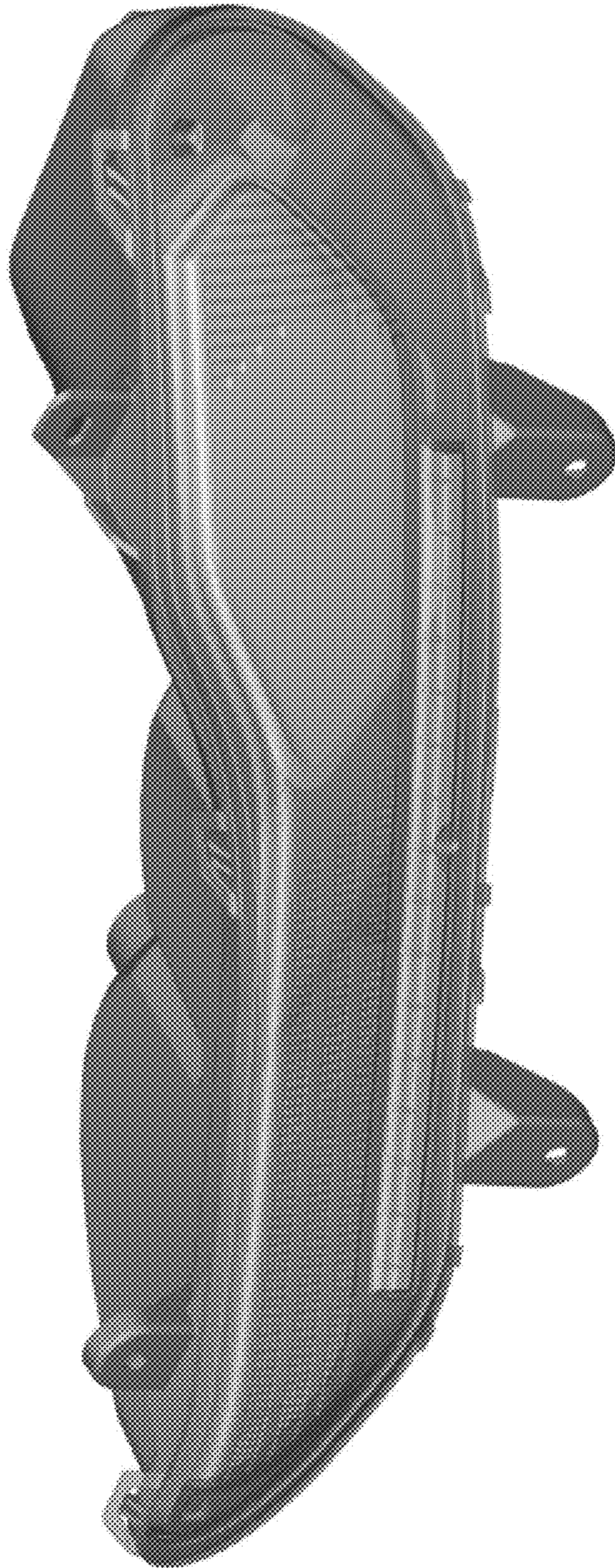


Figure 6

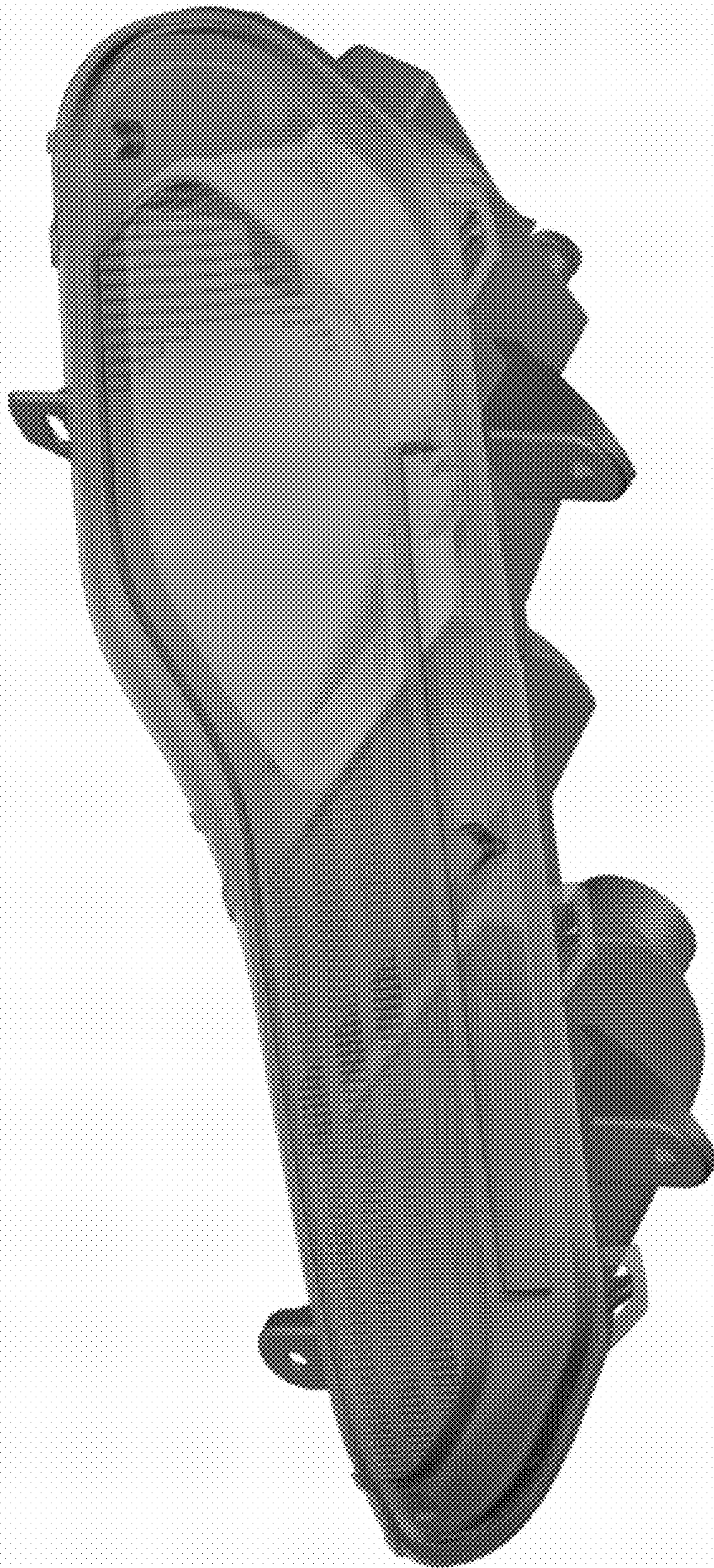


Figure 7

UNITED STATES PATENT AND TRADEMARK OFFICE
CERTIFICATE OF CORRECTION

PATENT NO. : D660,480 S
APPLICATION NO. : 29/382810
DATED : May 22, 2012
INVENTOR(S) : Wolfgang Gotschke et al.

Page 1 of 1

It is certified that error appears in the above-identified patent and that said Letters Patent is hereby corrected as shown below:

On the title page, item (75) change the first inventor to read as follow:
--Wolfgang Gotschke, Köln (DE)--

Signed and Sealed this
Twelfth Day of July, 2016



Michelle K. Lee
Director of the United States Patent and Trademark Office