

US00D660469S

(12) **United States Design Patent**
Mase et al.

(10) **Patent No.:** **US D660,469 S**

(45) **Date of Patent:** **** May 22, 2012**

(54) **LIGHT-EMITTING DIODE LAMP**

(75) Inventors: **Nobuyuki Mase**, Nara (JP); **Naotaka Hashimoto**, Osaka (JP); **Yoshinori Kakuno**, Osaka (JP)

(73) Assignee: **Panasonic Corporation**, Osaka (JP)

(**) Term: **14 Years**

(21) Appl. No.: **29/400,174**

(22) Filed: **Aug. 24, 2011**

(30) **Foreign Application Priority Data**

Jul. 5, 2011 (JP) 2011-015380

(51) **LOC (9) Cl.** **26-04**

(52) **U.S. Cl.** **D26/2**

(58) **Field of Classification Search** D26/1-4;
313/313, 315, 316, 317, 318, 493; 315/52,
315/53, 56, 57, 58

See application file for complete search history.

(56) **References Cited**

U.S. PATENT DOCUMENTS

D391,650 S	3/1998	Hetzel et al.	
D534,665 S *	1/2007	Egawa et al.	D26/2
D535,038 S	1/2007	Egawa et al.	
D542,426 S *	5/2007	Itaya et al.	D26/2
D549,361 S *	8/2007	To et al.	D26/2
D553,266 S	10/2007	Maxik	
D581,556 S *	11/2008	To et al.	D26/2

D600,367 S *	9/2009	Bertram et al.	D26/2
D602,614 S *	10/2009	Takahashi et al.	D26/2
D617,918 S *	6/2010	Yamamoto et al.	D26/2
D635,281 S *	3/2011	Murakami et al.	D26/2

FOREIGN PATENT DOCUMENTS

JP	D1030907	1/1999
JP	D1390823	6/2010
JP	D1396476	9/2010
JP	D1411262	4/2011
JP	D1411736	4/2011
JP	D1417609	6/2011

* cited by examiner

Primary Examiner — Marcus Jackson

(74) *Attorney, Agent, or Firm* — Brinks Hofer Gilson & Lione

(57) **CLAIM**

We claim the ornamental design for a light-emitting diode lamp, as shown and described.

DESCRIPTION

FIG. 1 is a top perspective view of a light-emitting diode lamp of the present invention;

FIG. 2 is a front view thereof;

FIG. 3 is a rear view thereof;

FIG. 4 is a first side view thereof;

FIG. 5 is a second side view thereof;

FIG. 6 is a top view thereof; and,

FIG. 7 is a bottom view thereof.

The broken lines shown represent unclaimed subject matter and form no part of the claimed design.

1 Claim, 7 Drawing Sheets

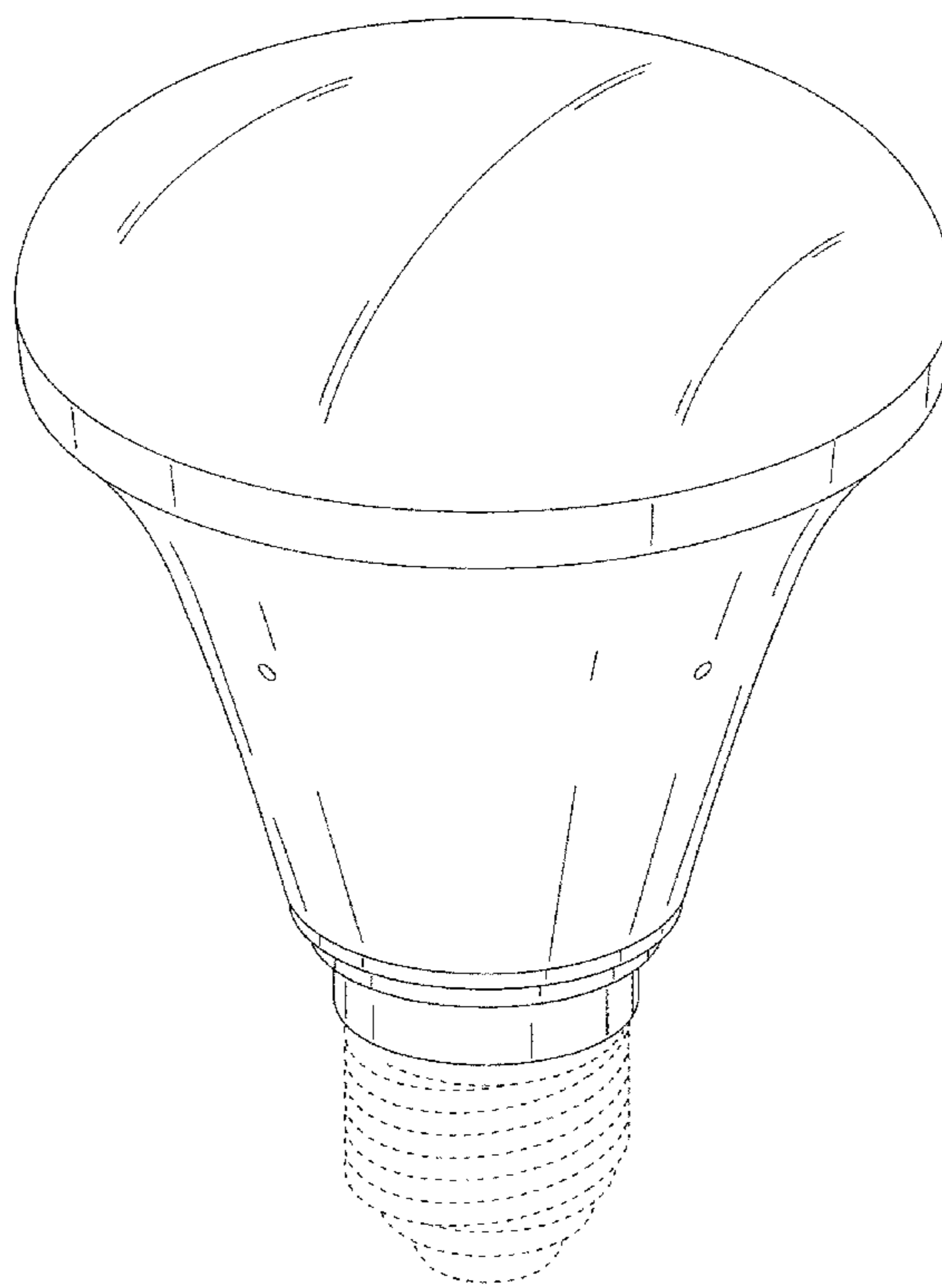


FIG. 1

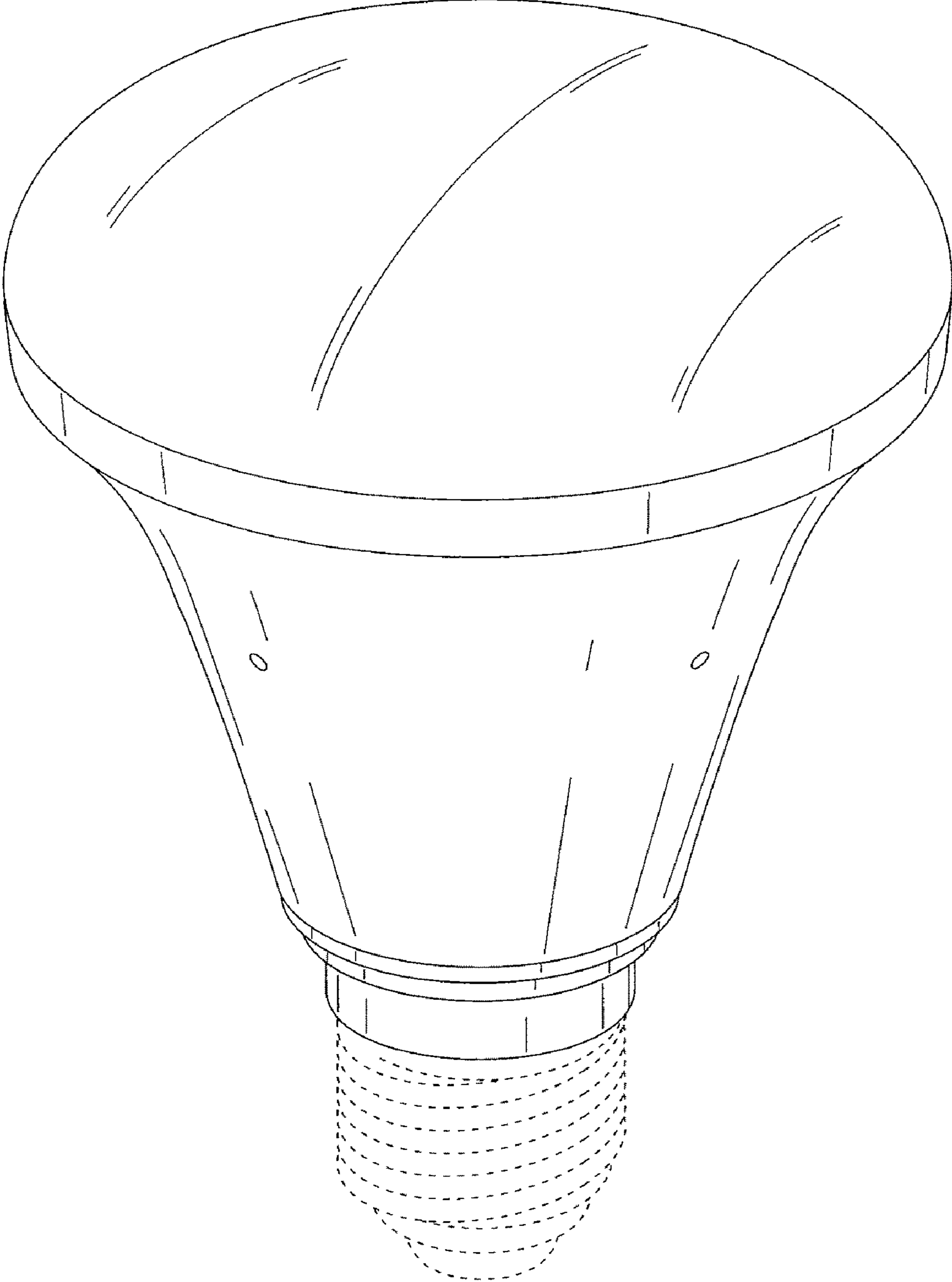


FIG.2

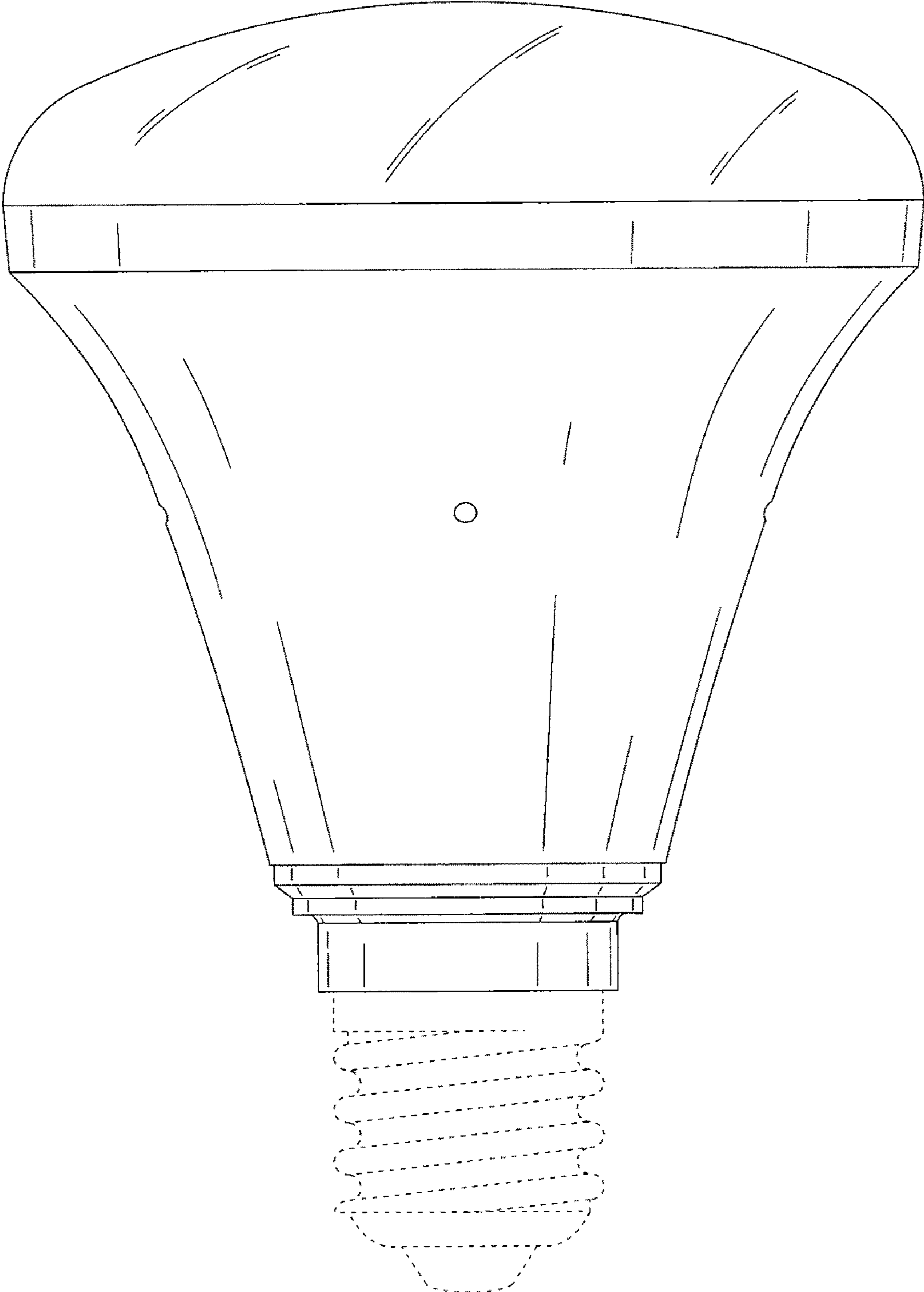


FIG.3

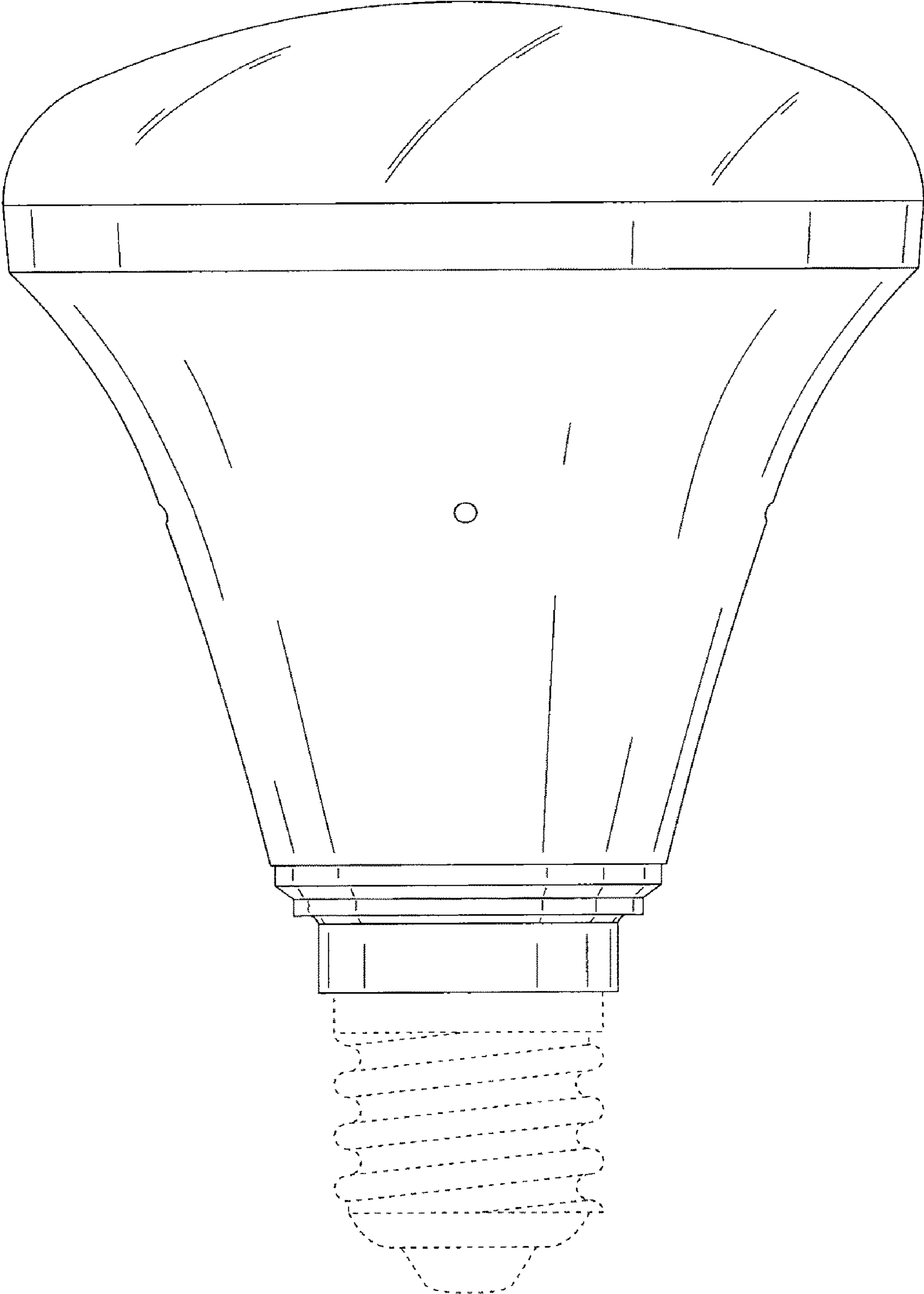


FIG.4

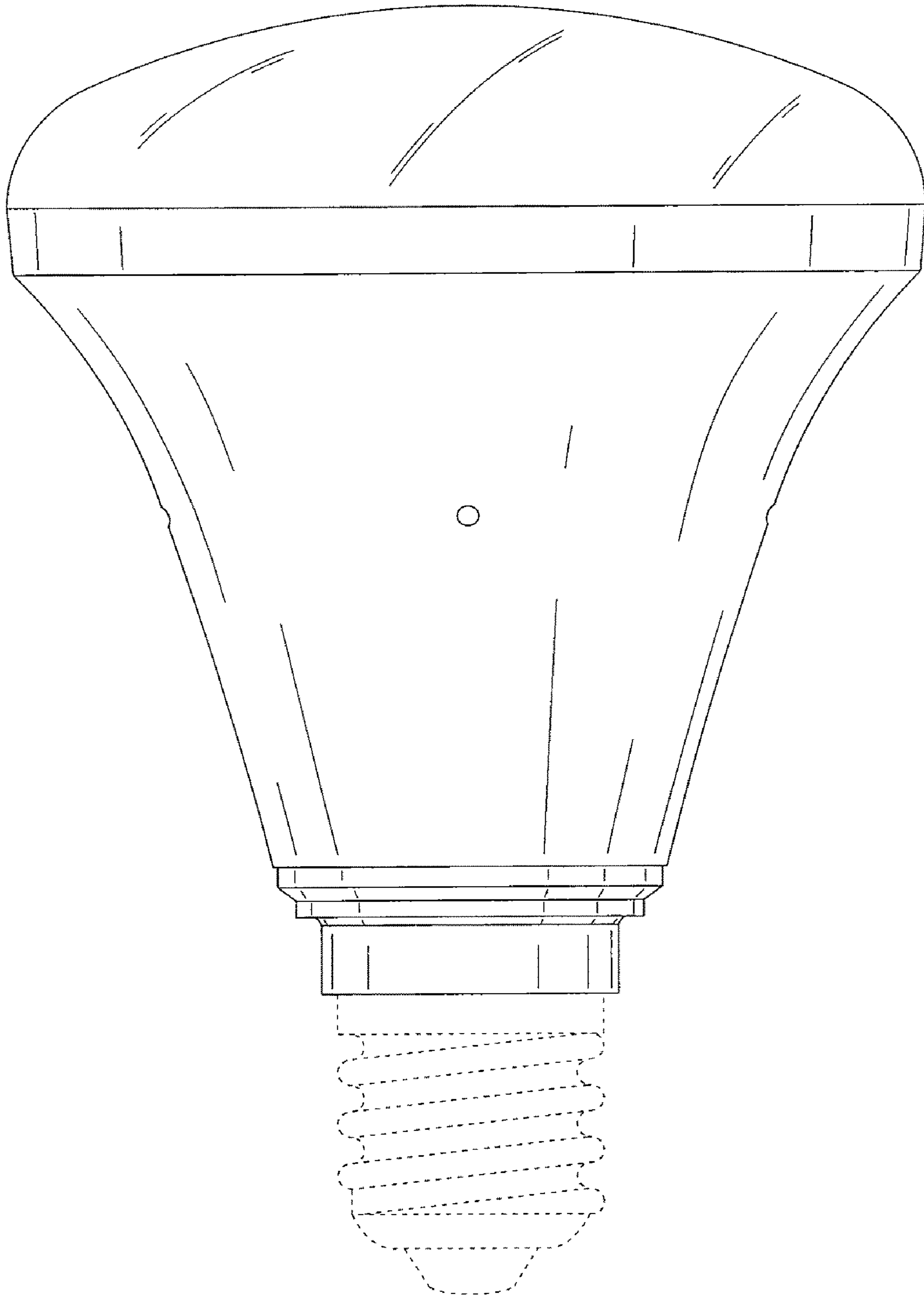


FIG.5

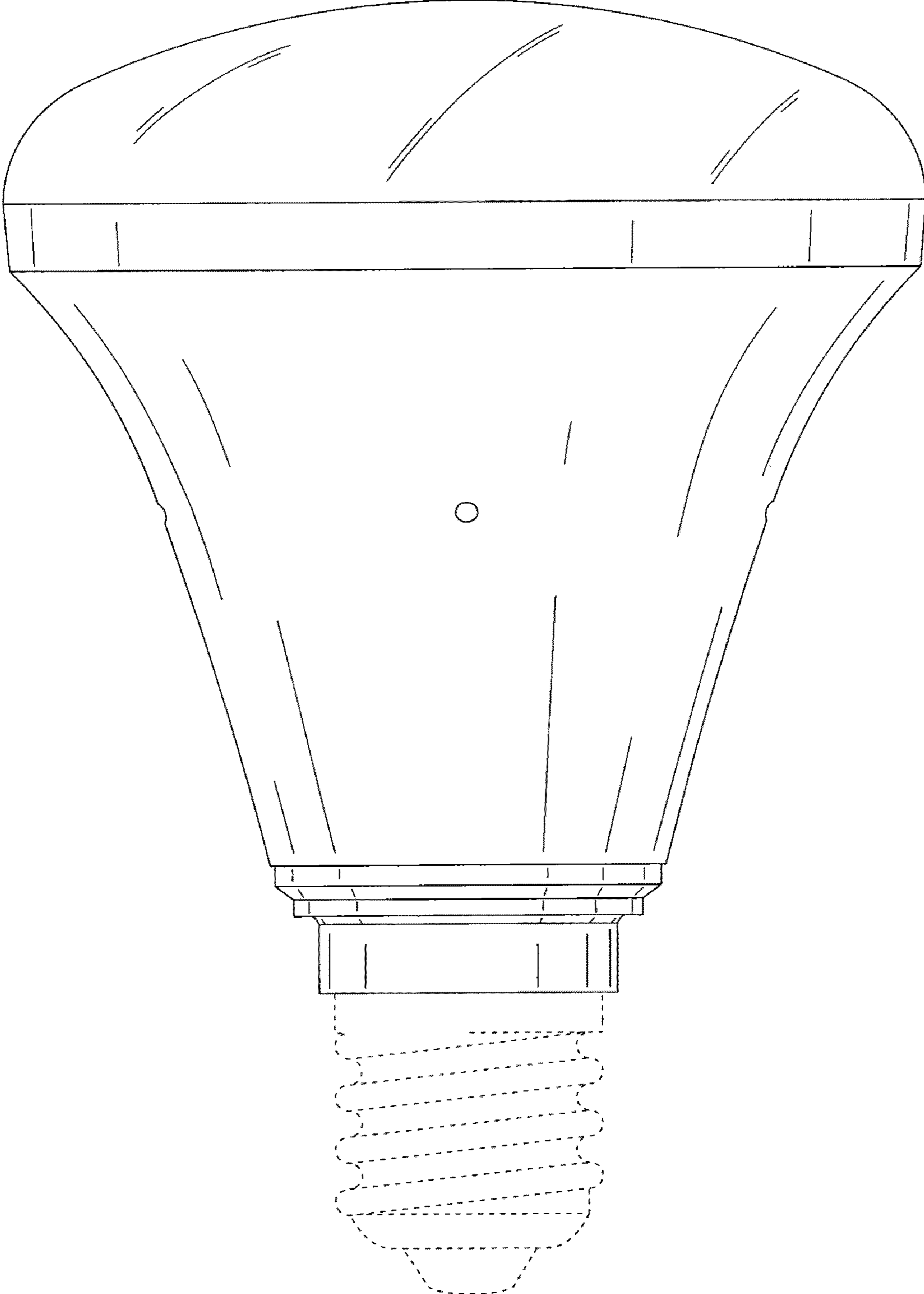


FIG.6

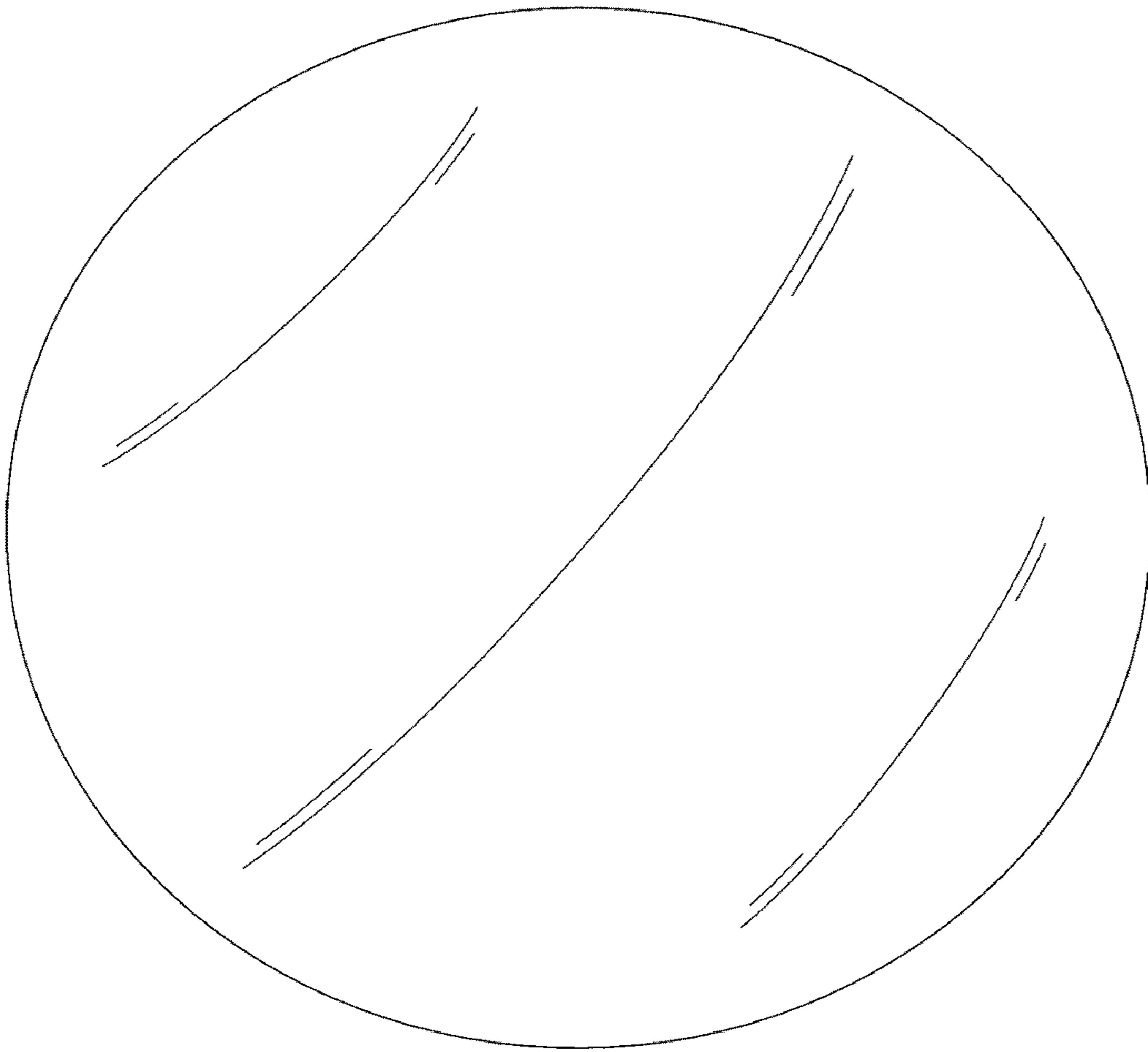


FIG. 7

