

US00D660468S

(12) **United States Design Patent**  
**Mase et al.**

(10) **Patent No.:** **US D660,468 S**

(45) **Date of Patent:** **\*\* May 22, 2012**

(54) **LIGHT-EMITTING DIODE LAMP**

FOREIGN PATENT DOCUMENTS

(75) Inventors: **Nobuyuki Mase**, Nara (JP); **Naotaka Hashimoto**, Osaka (JP); **Yoshinori Kakuno**, Osaka (JP)

JP	D1390823	6/2010
JP	D1396476	9/2010
JP	D1411736	4/2011
JP	D1417609	6/2011

\* cited by examiner

(73) Assignee: **Panasonic Corporation**, Osaka (JP)

*Primary Examiner* — Marcus Jackson

(\*\*) Term: **14 Years**

(74) *Attorney, Agent, or Firm* — Brinks Hofer Gilson & Lione

(21) Appl. No.: **29/400,172**

(22) Filed: **Aug. 24, 2011**

(57) **CLAIM**

We claim the ornamental design for a light-emitting diode lamp, as shown and described.

(30) **Foreign Application Priority Data**

Jul. 5, 2011	(JP)	.....	2011-015378
Jul. 5, 2011	(JP)	.....	2011-015379

**DESCRIPTION**

(51) **LOC (9) Cl.** ..... **26-04**  
(52) **U.S. Cl.** ..... **D26/2**  
(58) **Field of Classification Search** ..... D26/1-4;  
313/313, 315, 316, 317, 318, 493; 315/52,  
315/53, 56, 57, 58

FIG. 1 is a top perspective view of a first embodiment of a light-emitting diode lamp of the present invention;  
FIG. 2 is a front view thereof;  
FIG. 3 is a rear view thereof;  
FIG. 4 is a first side view thereof;  
FIG. 5 is a second side view thereof;  
FIG. 6 is a top view thereof;  
FIG. 7 is a bottom view thereof;  
FIG. 8 is a top perspective view of a second embodiment of a light-emitting diode lamp of the present invention;  
FIG. 9 is a front view thereof;  
FIG. 10 is a rear view thereof;  
FIG. 11 is a first side view thereof;  
FIG. 12 is a second side view thereof;  
FIG. 13 is a top view thereof; and,  
FIG. 14 is a bottom view thereof.

See application file for complete search history.

The broken lines shown represent unclaimed subject matter and form no part of the claimed design.

(56) **References Cited**

U.S. PATENT DOCUMENTS

D391,650	S	3/1998	Hetzel et al.	
D534,665	S	* 1/2007	Egawa et al.	D26/2
D535,038	S	1/2007	Egawa et al.	
D542,426	S	* 5/2007	Itaya et al.	D26/2
D549,361	S	* 8/2007	To et al.	D26/2
D553,266	S	10/2007	Maxik	
D581,556	S	* 11/2008	To et al.	D26/2
D600,367	S	* 9/2009	Bertram et al.	D26/2
D602,614	S	* 10/2009	Takahashi et al.	D26/2
D617,918	S	* 6/2010	Yamamoto et al.	D26/2
D635,281	S	* 3/2011	Murakami et al.	D26/2

**1 Claim, 14 Drawing Sheets**

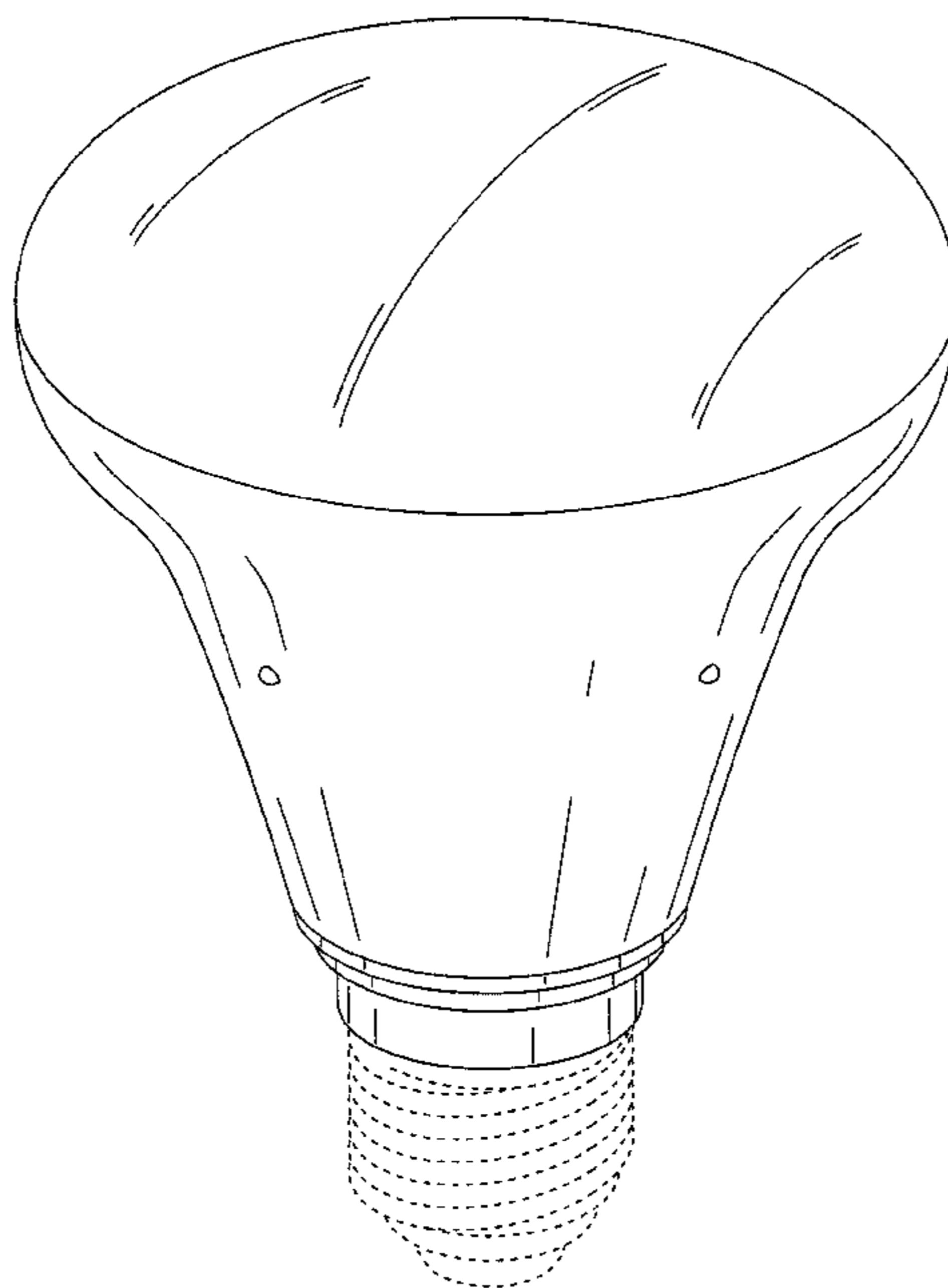


FIG. 1

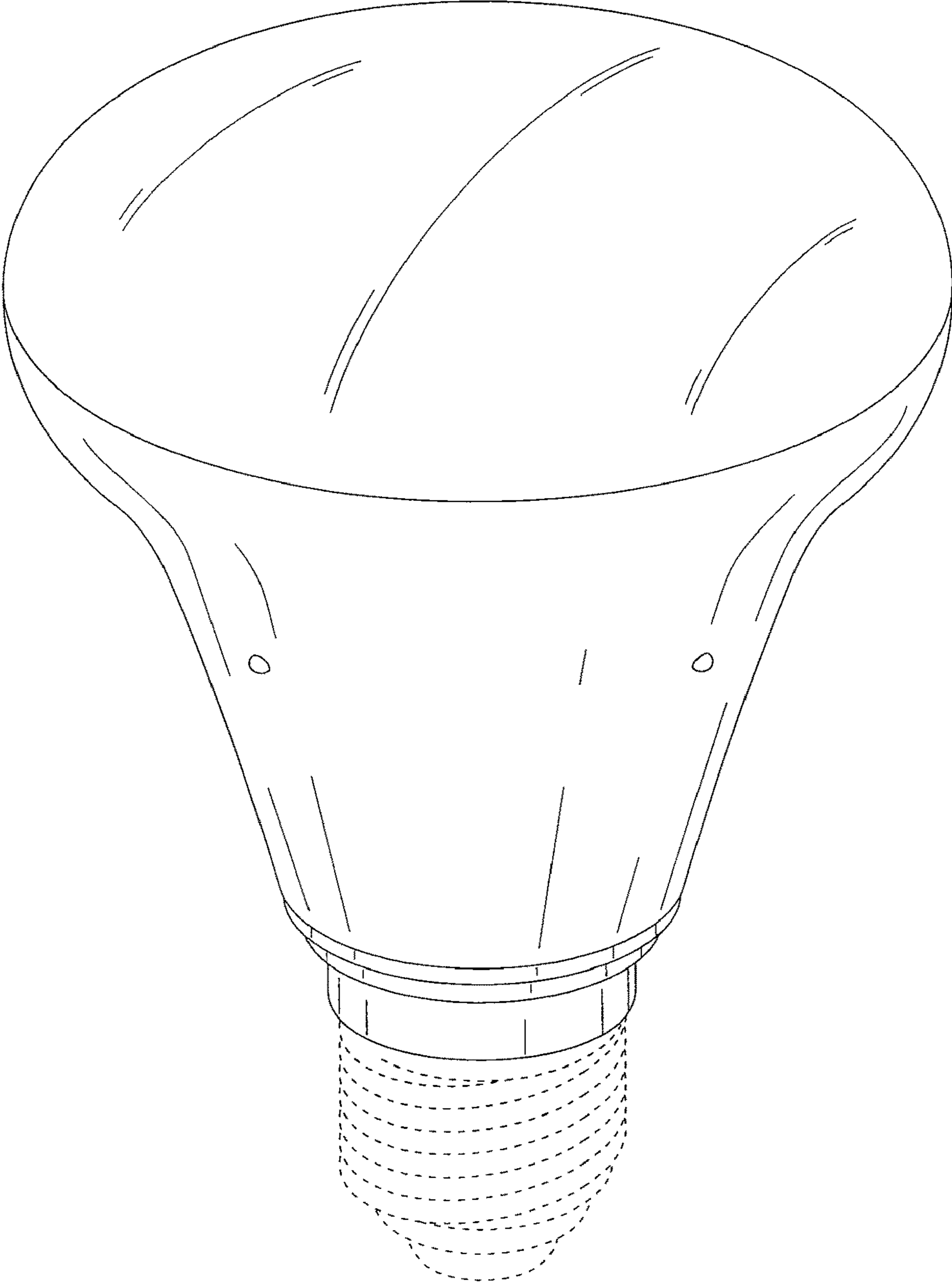


FIG.2

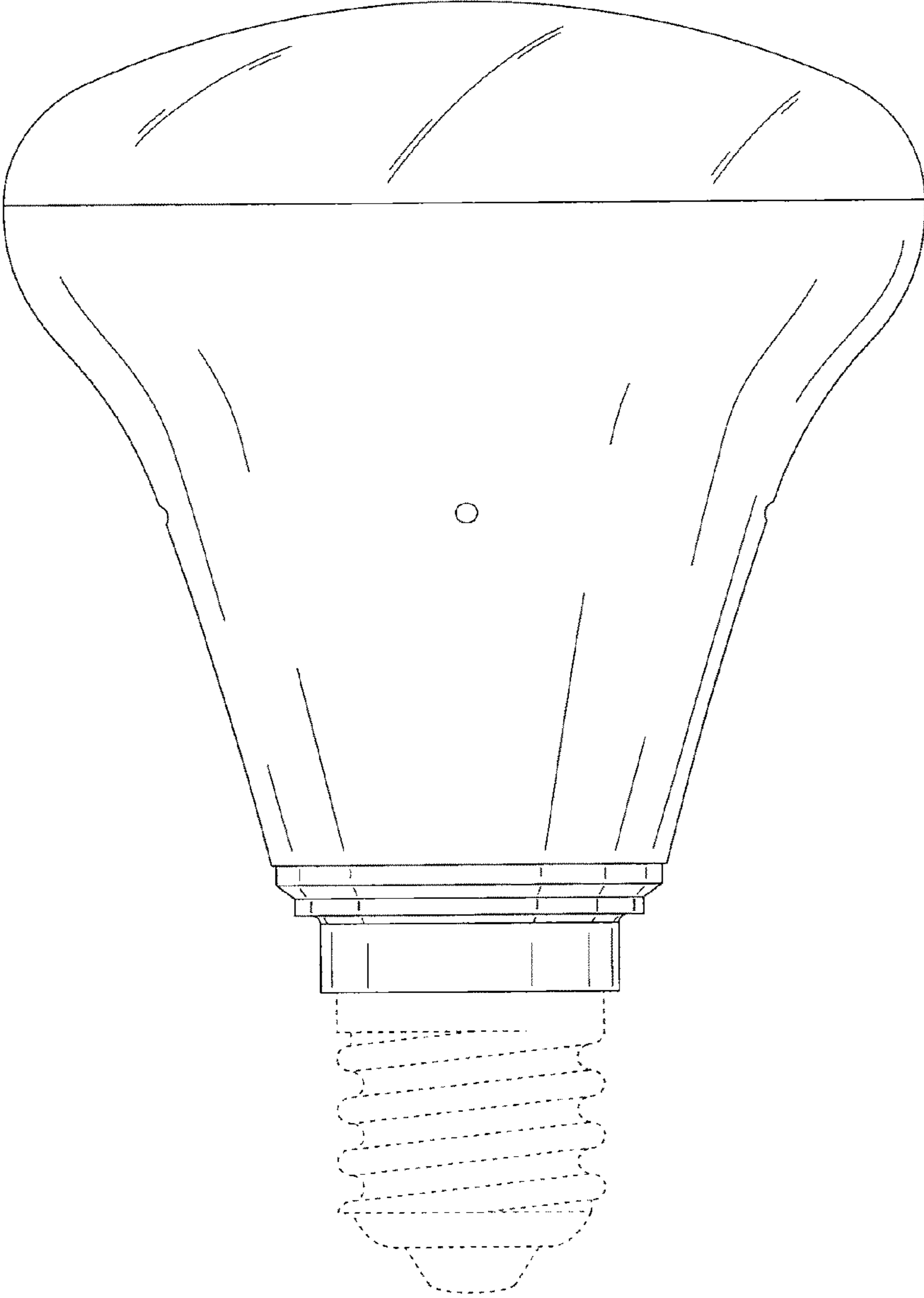


FIG.3

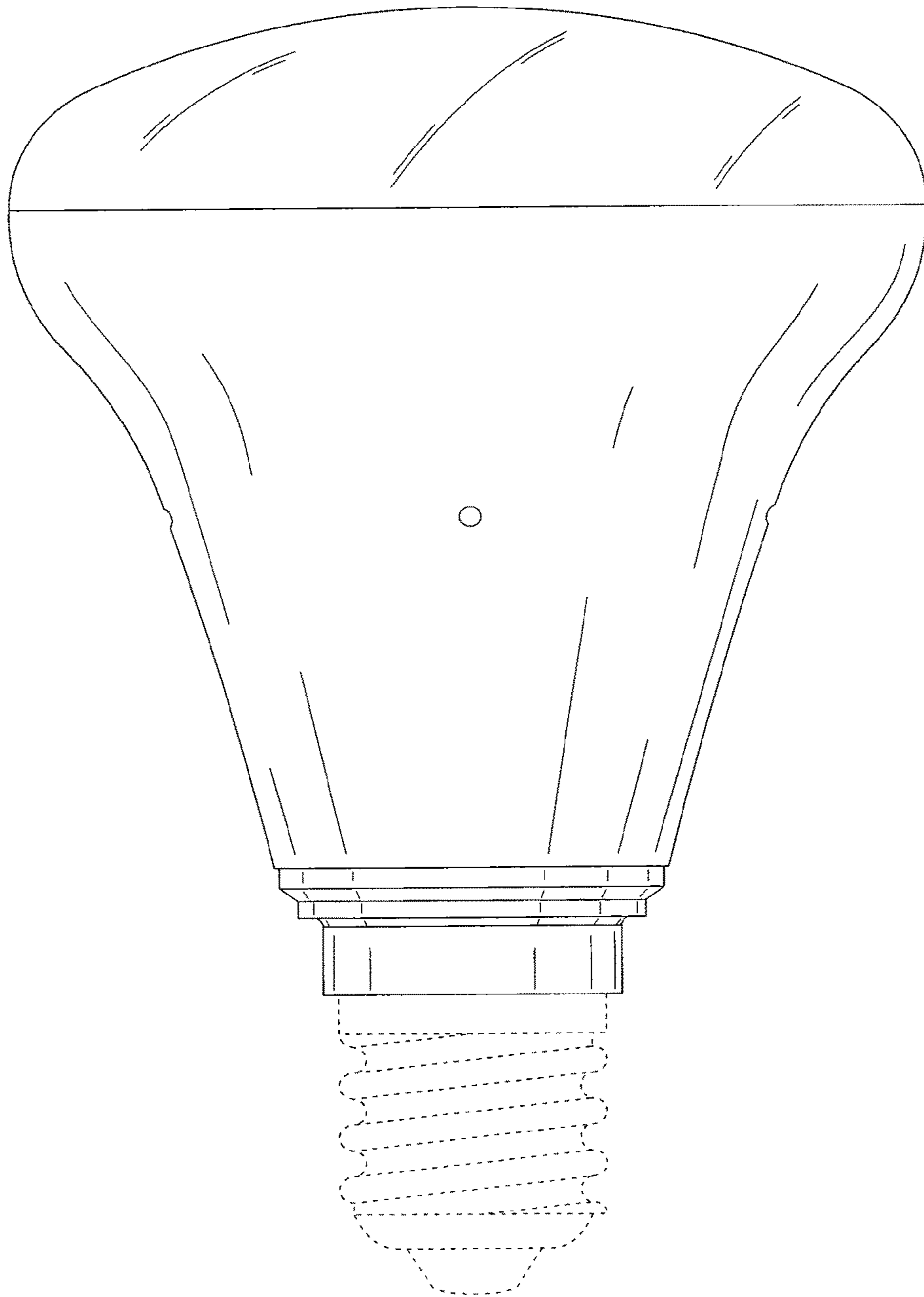


FIG.4

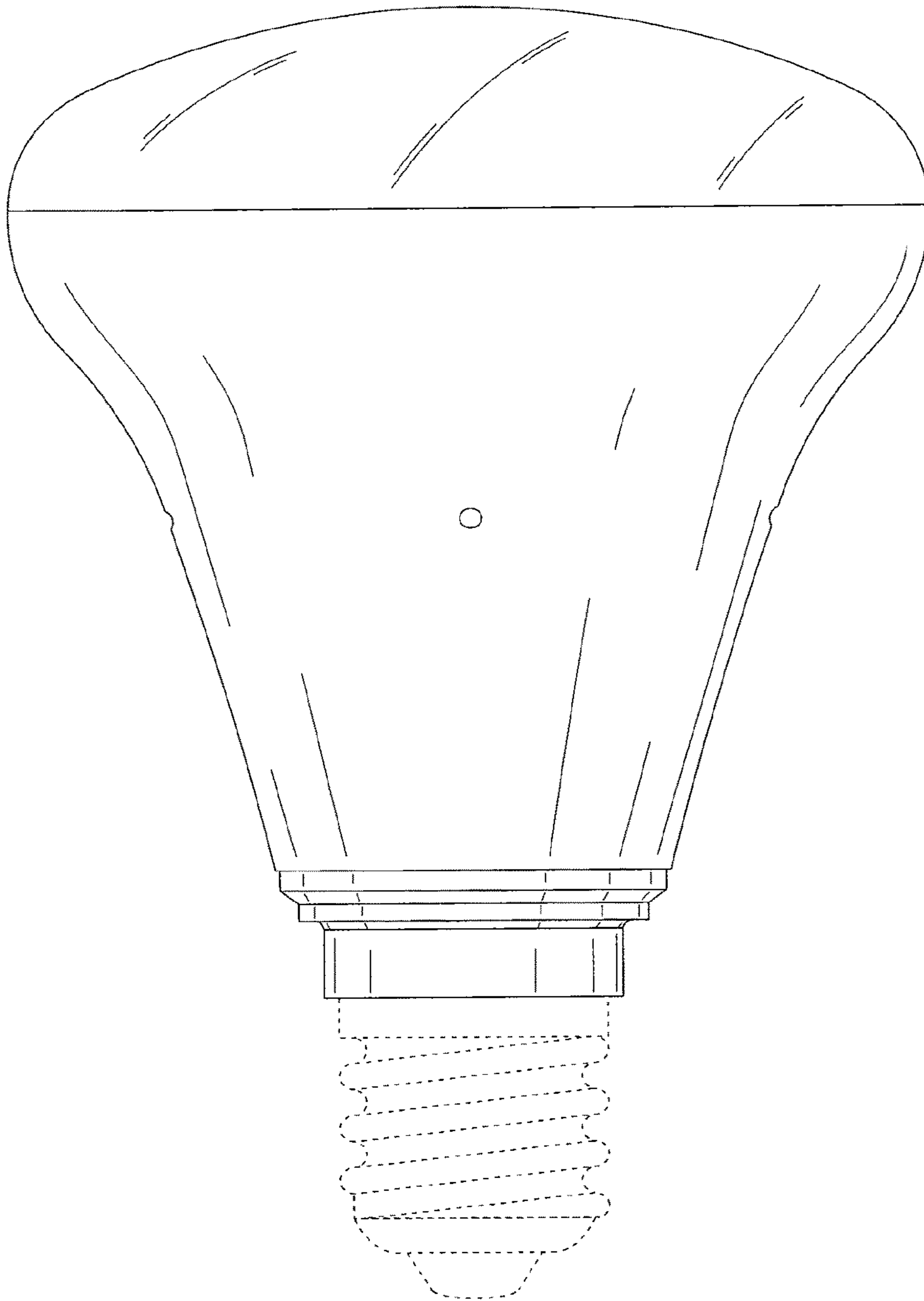


FIG.5

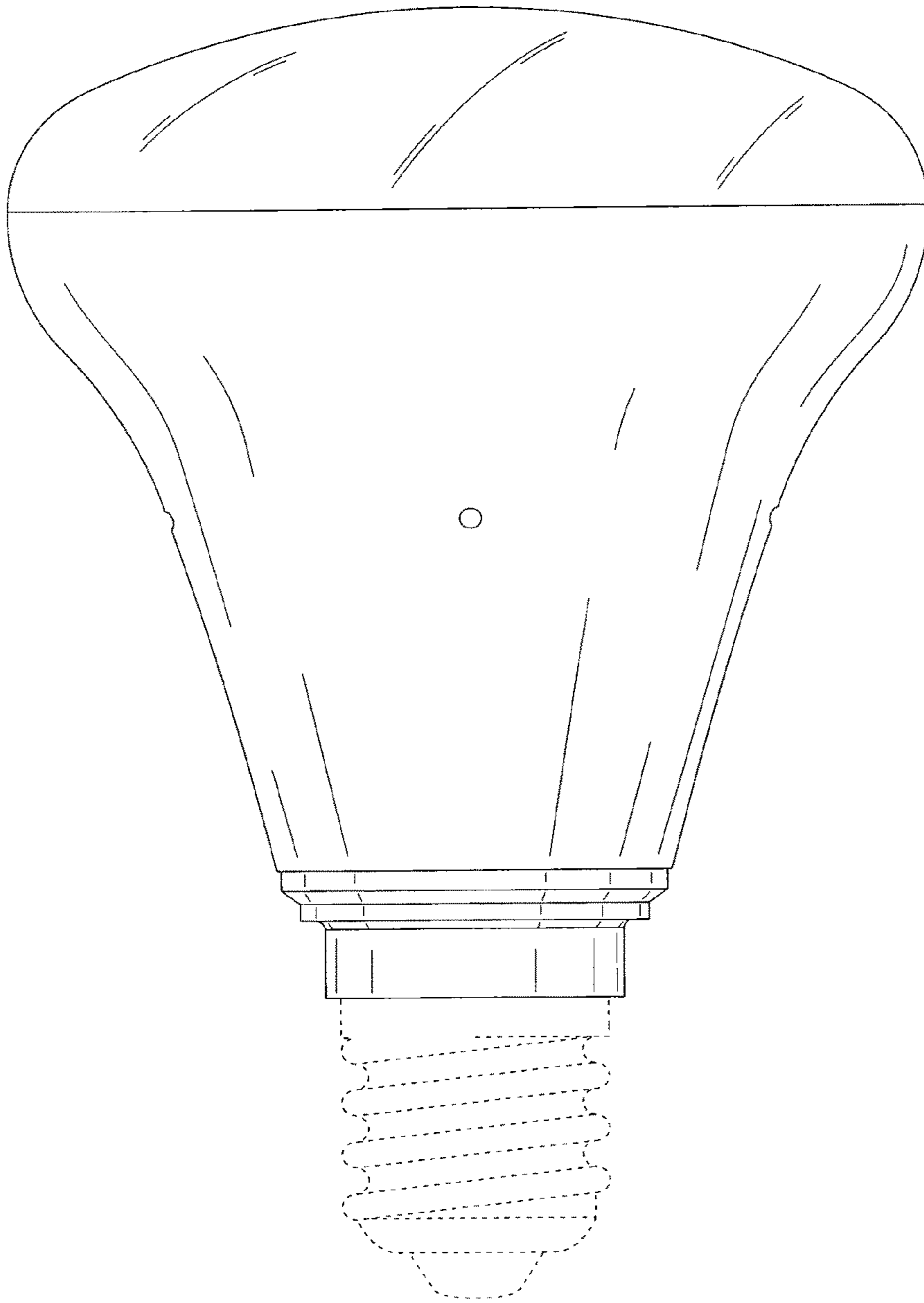


FIG.6

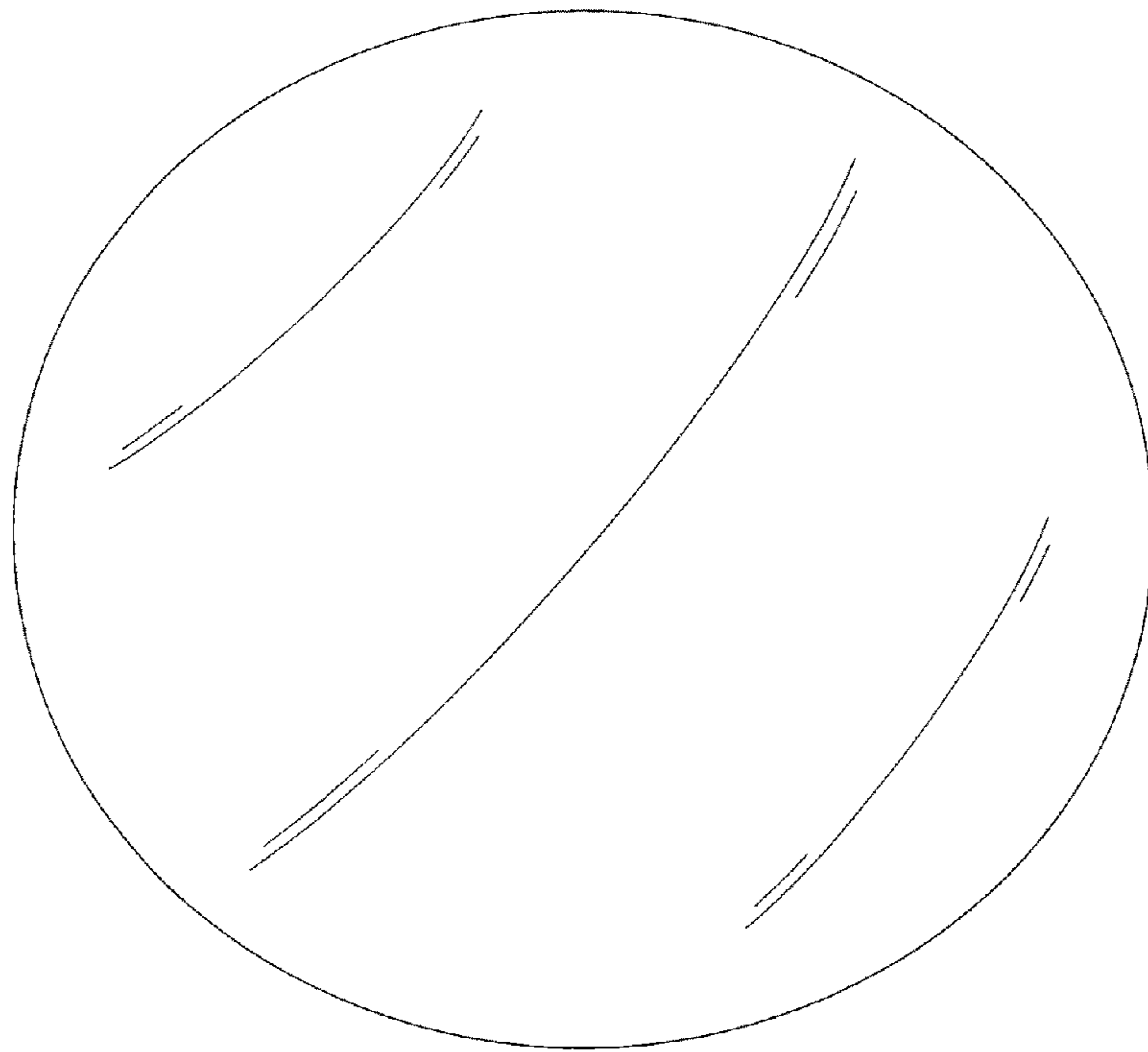


FIG.7

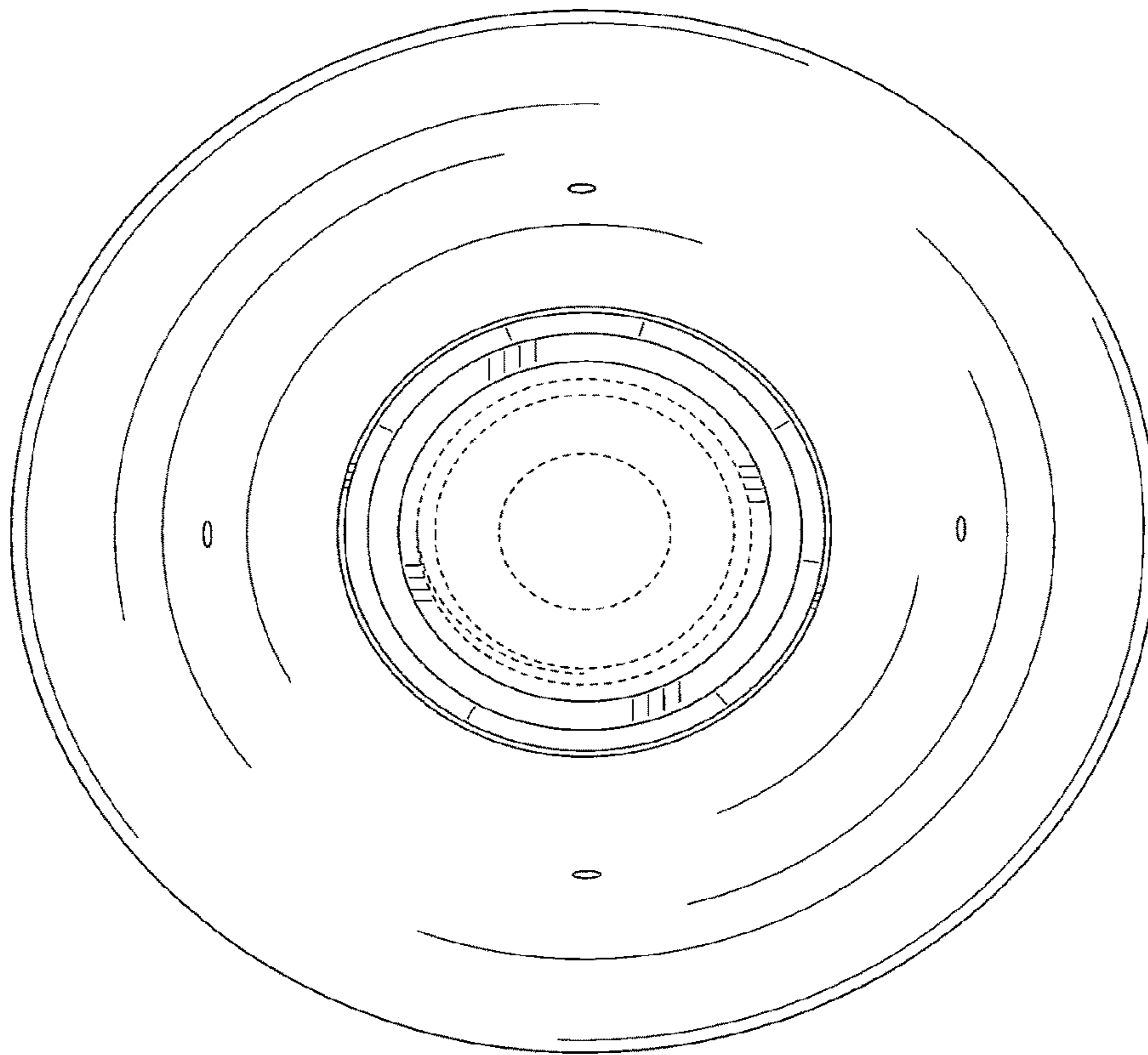




FIG.8

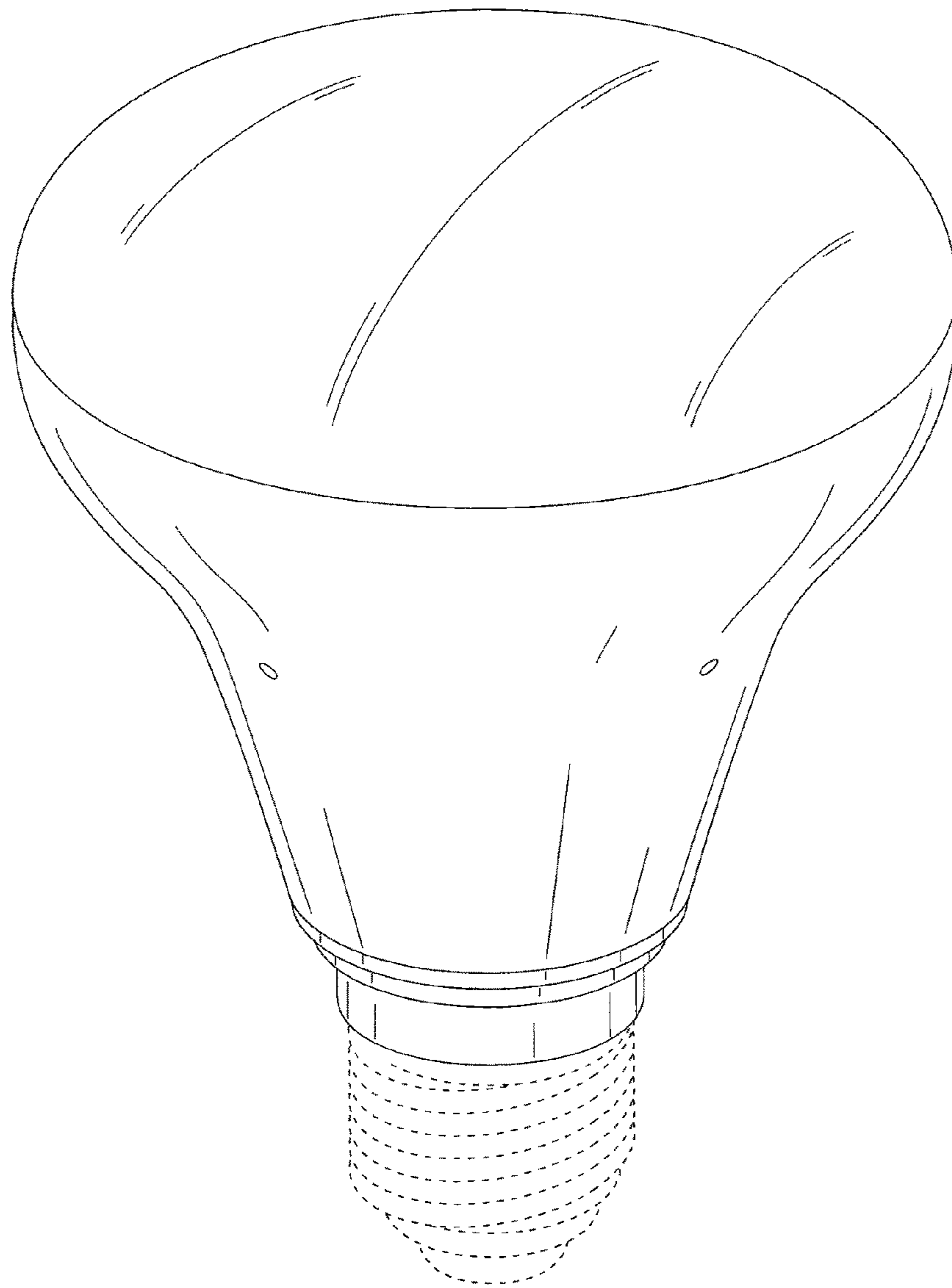


FIG.9

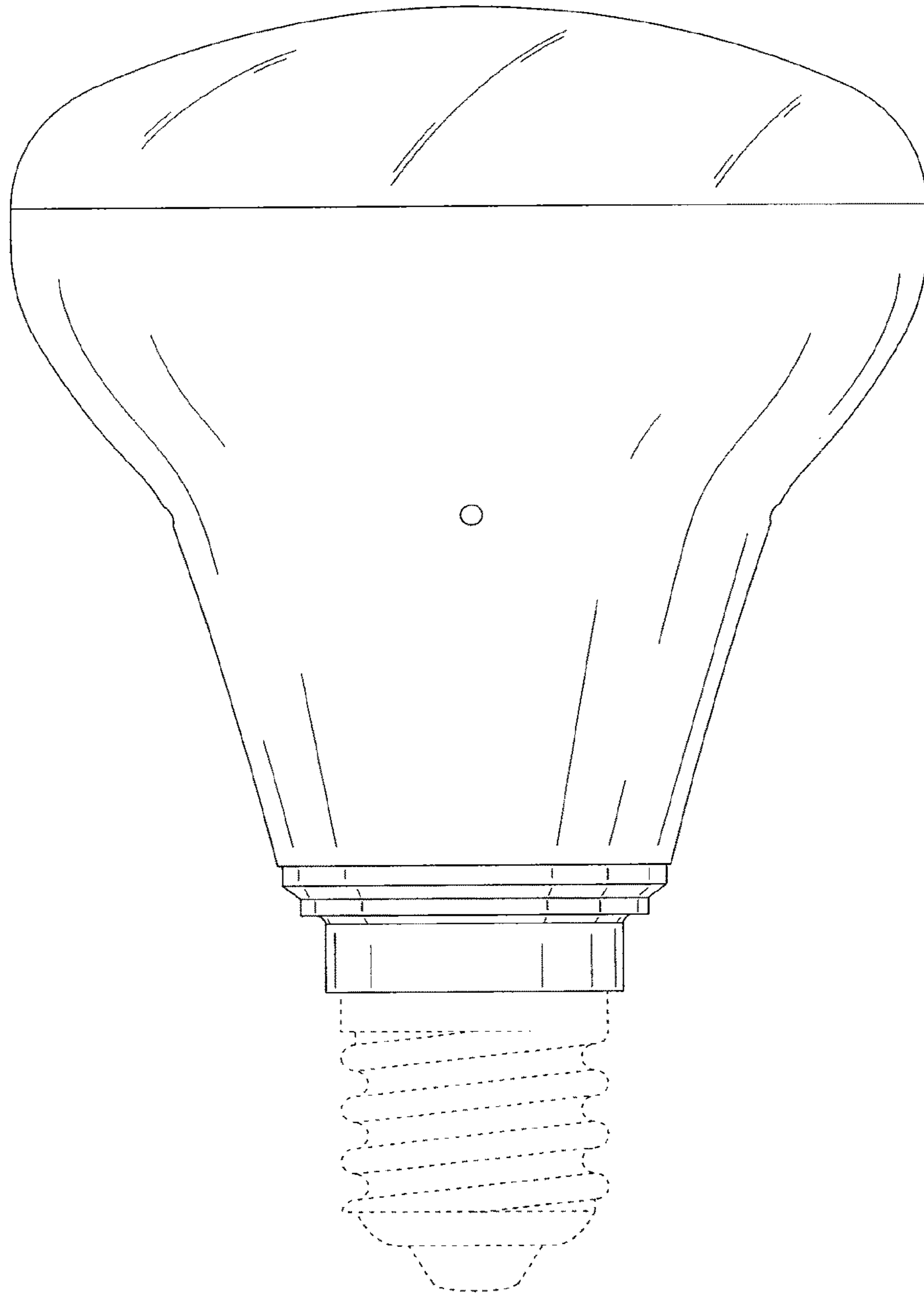


FIG.10

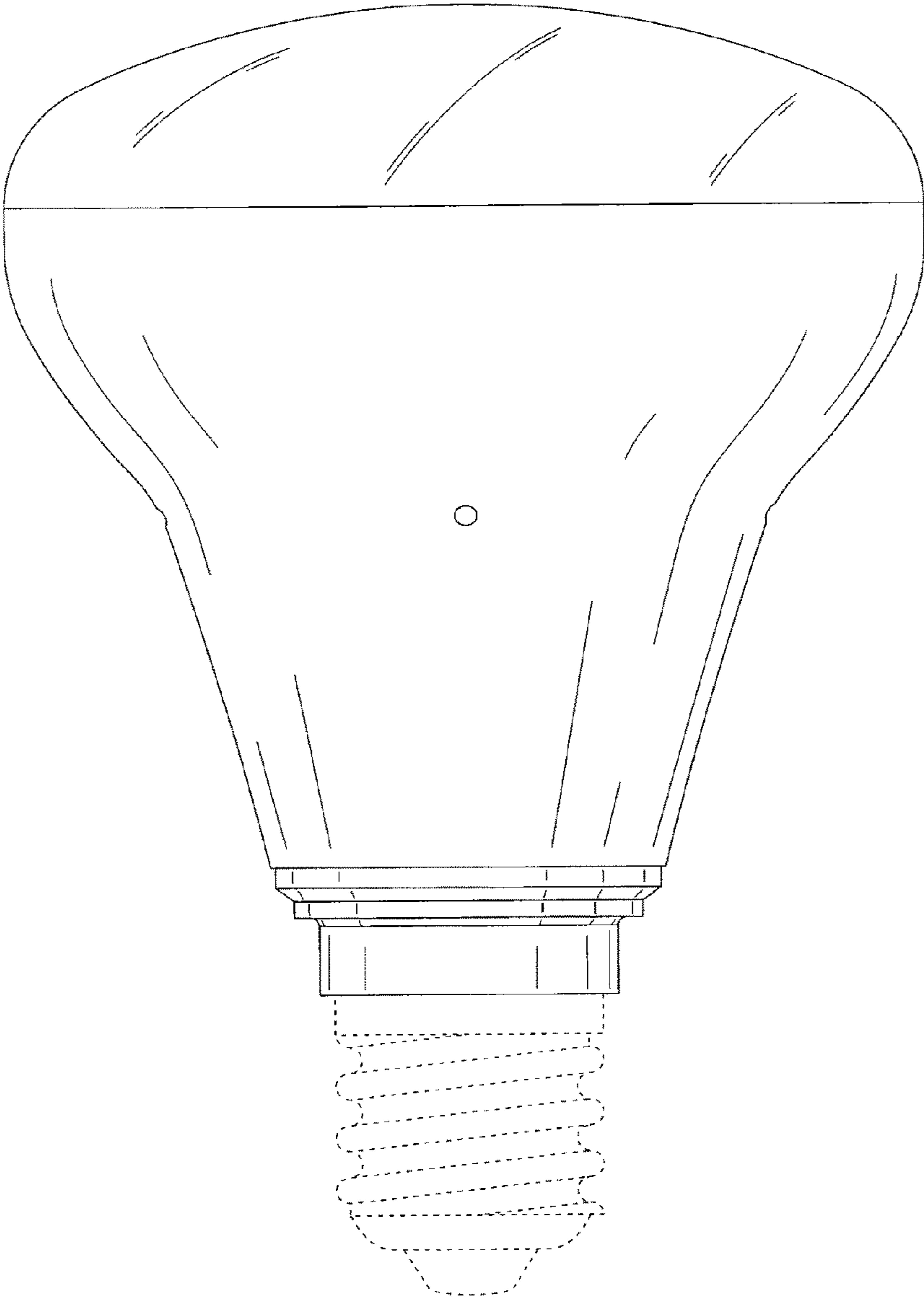


FIG.11

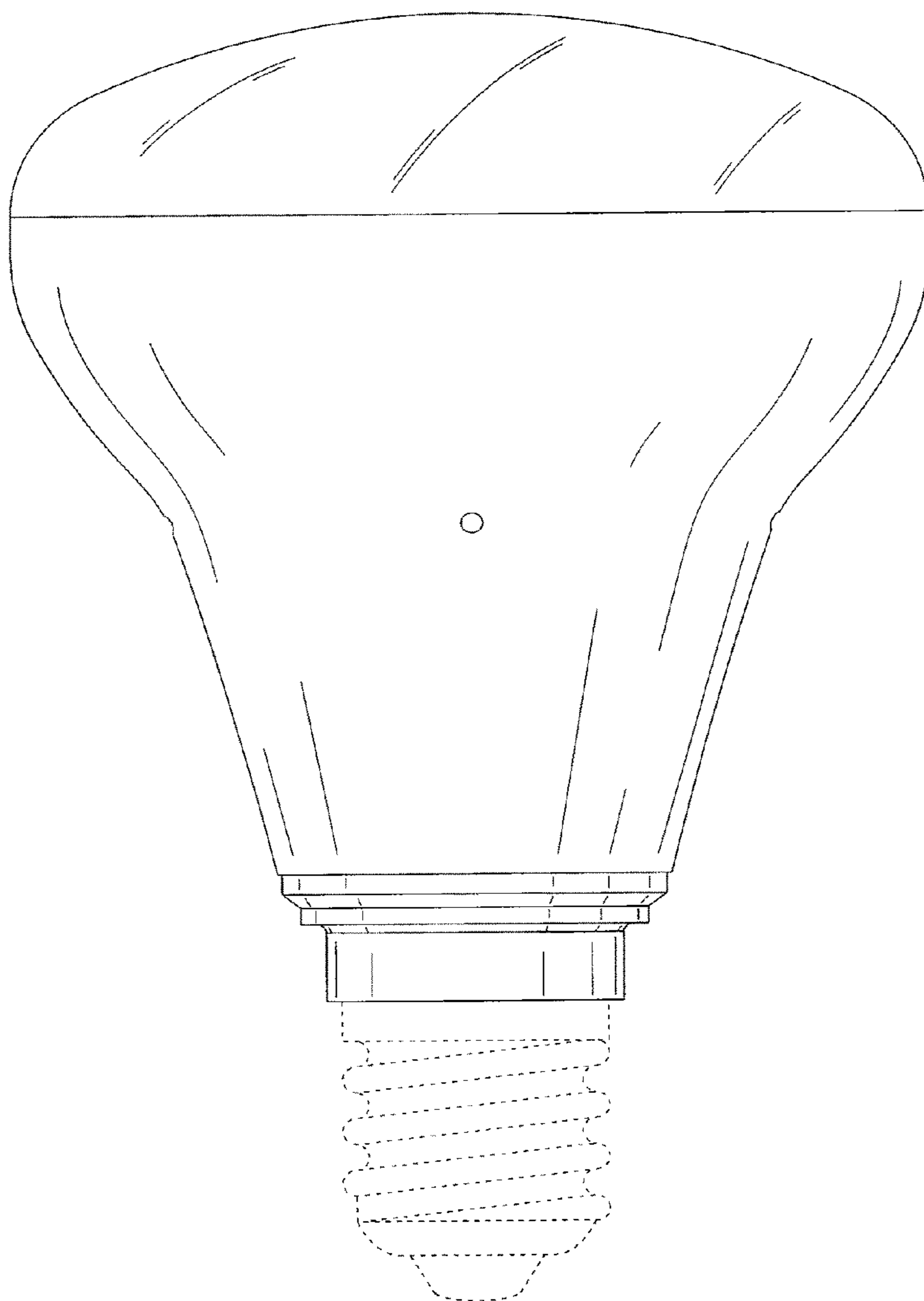


FIG.12

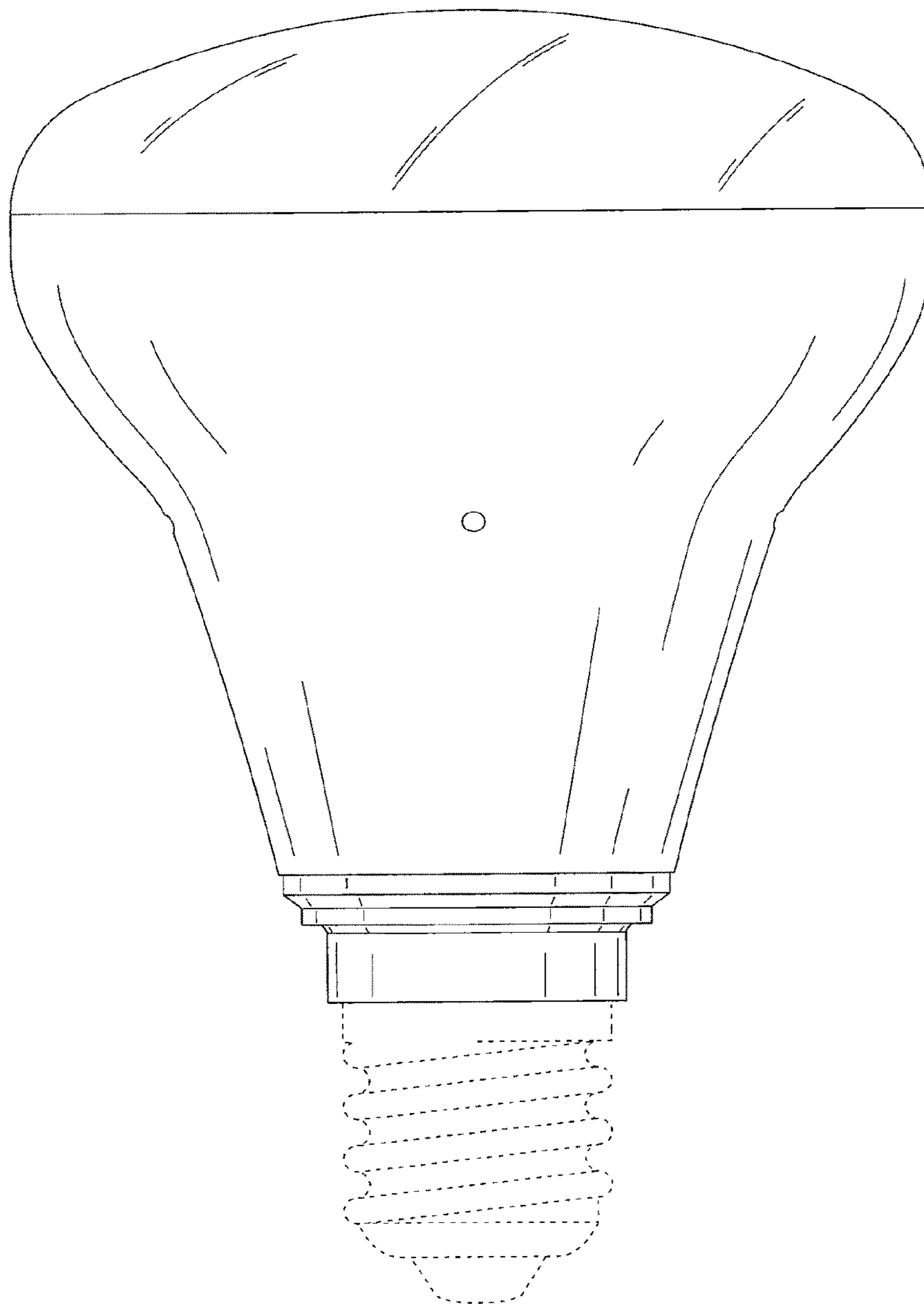


FIG.13

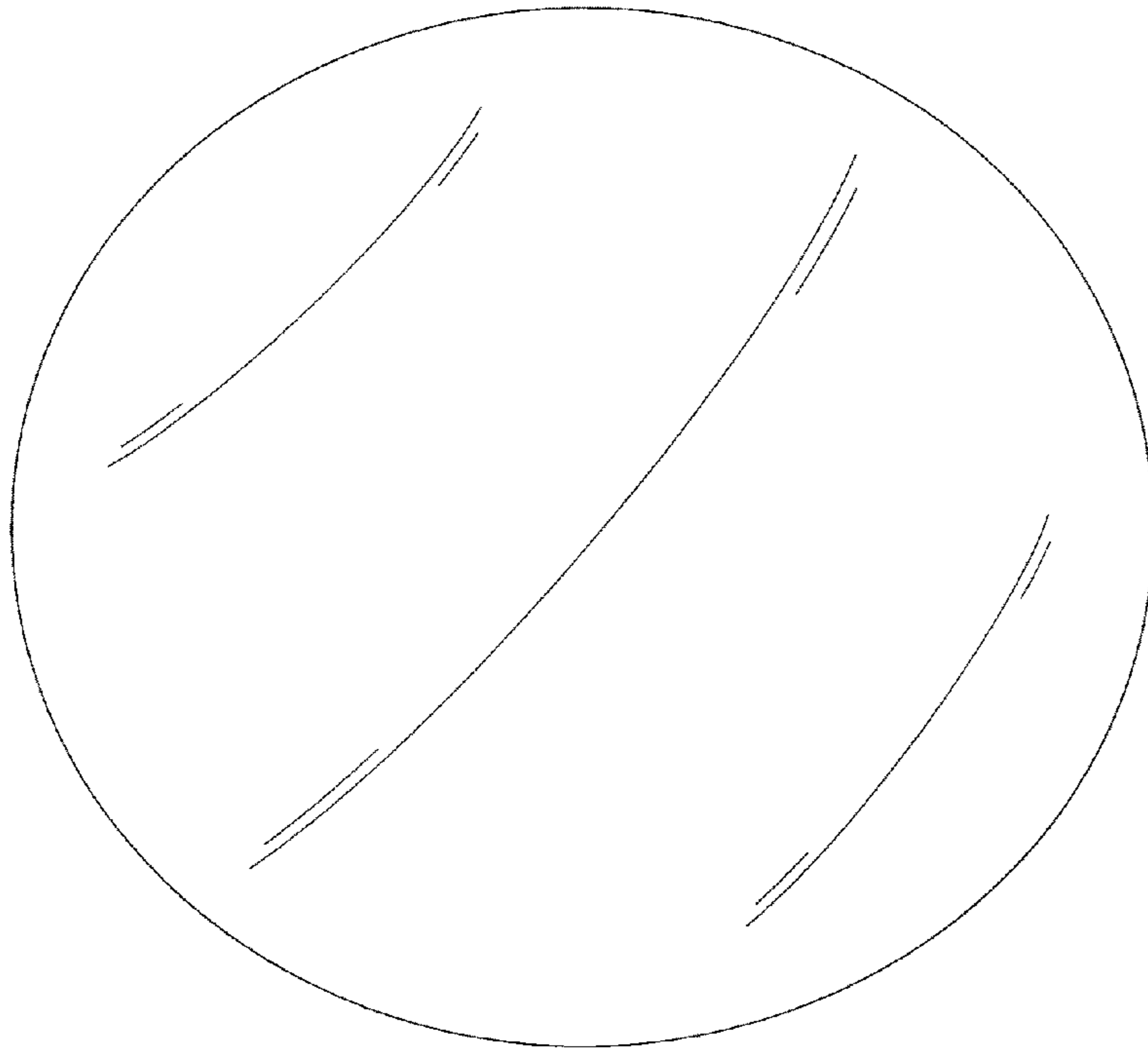


FIG.14

