



US00D660462S

(12) **United States Design Patent**
Chen

(10) **Patent No.:** **US D660,462 S**

(45) **Date of Patent:** **** May 22, 2012**

(54) **TRIM FOR DRAWER PULL**

(75) Inventor: **Runzhao Chen**, Foshan (CN)

(73) Assignee: **Quality Craft Industries Inc.**,
Rogersville, MO (US)

(**) Term: **14 Years**

(21) Appl. No.: **29/378,297**

(22) Filed: **Nov. 2, 2010**

(51) **LOC (9) Cl.** **25-01**

(52) **U.S. Cl.** **D25/119**

(58) **Field of Classification Search** D25/11-125;
248/49, 62, 74.1-74.4, 215, 227.1, 300-301,
248/316.7; 52/87, 656.1, 675, 799.1-799.14,
52/745.08; D8/315, 319-320

See application file for complete search history.

(56) **References Cited**

U.S. PATENT DOCUMENTS

D110,622	S	*	7/1938	Lowry	D25/119
D128,793	S	*	8/1941	Bonnell	D25/119
4,108,519	A	*	8/1978	Chervenak	312/348.4
4,681,381	A		7/1987	Sevey		
5,435,640	A		7/1995	Holcomb		
5,607,213	A		3/1997	Slivon		
D388,986	S	*	1/1998	Dittberner et al.	D6/510
5,720,535	A		2/1998	Mehman		

D402,048	S	*	12/1998	Goodchild	D25/119
7,699,286	B2	*	4/2010	Brinkman et al.	248/489
D638,143	S	*	5/2011	Procton et al.	D25/119
2006/0103278	A1		5/2006	Bousquet		

FOREIGN PATENT DOCUMENTS

CA		2684053	A1		6/2008
WO		2008076873	A1		6/2008

* cited by examiner

Primary Examiner — Robert Delehanty

(74) *Attorney, Agent, or Firm* — Rothwell, Figg, Ernst & Manbeck, P.C.

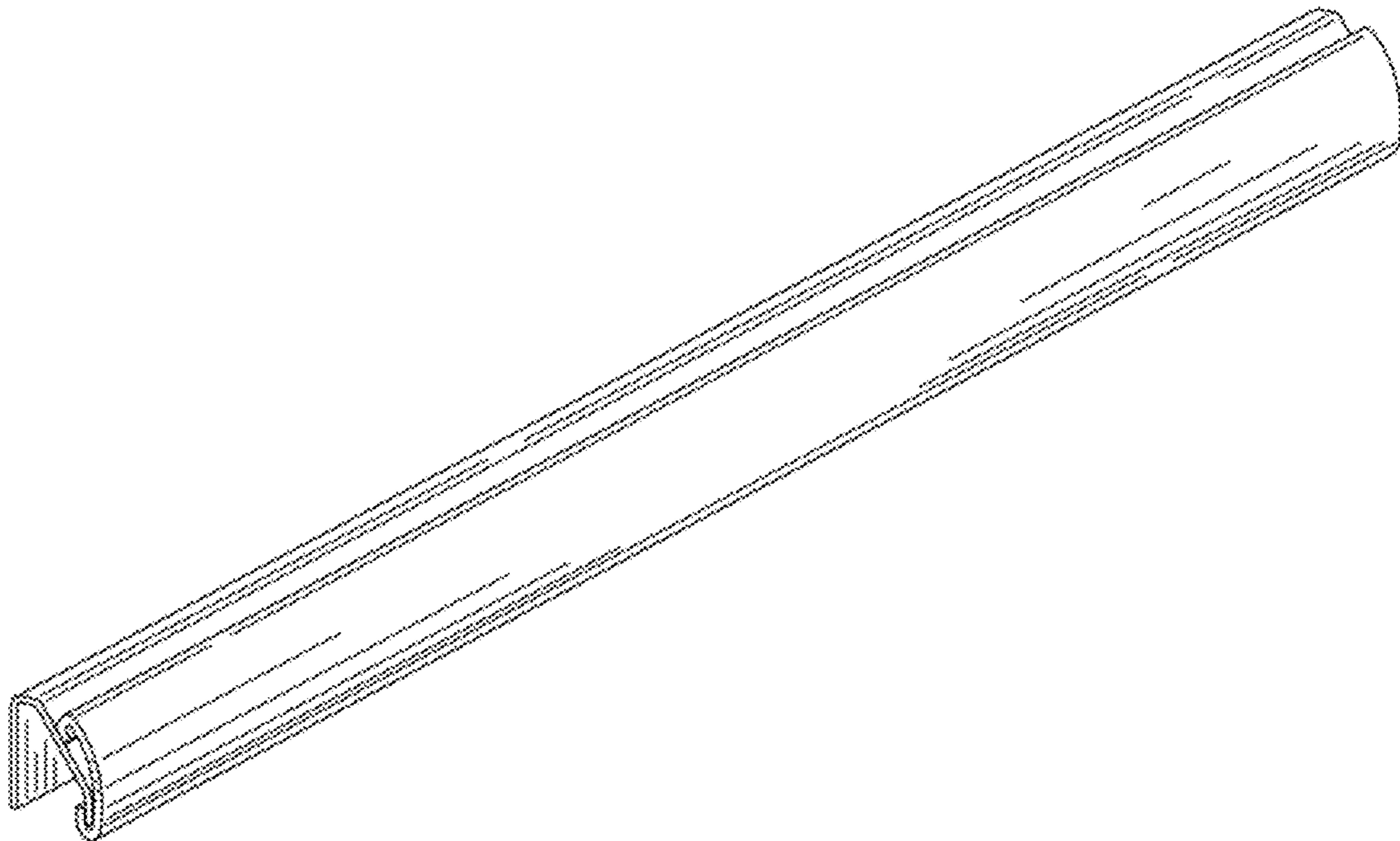
(57) **CLAIM**

The ornamental design for a trim for drawer pull, as shown and described.

DESCRIPTION

FIG. 1 shows a front perspective view of the invention;
 FIG. 2 shows a top plan view thereof;
 FIG. 3 shows a bottom plan view thereof;
 FIG. 4 shows a left side view thereof;
 FIG. 5 shows a right side view thereof;
 FIG. 6 shows a rear view thereof without trim;
 FIG. 7 shows a front view thereof without trim; and,
 FIG. 8 shows a perspective view thereof.

1 Claim, 4 Drawing Sheets



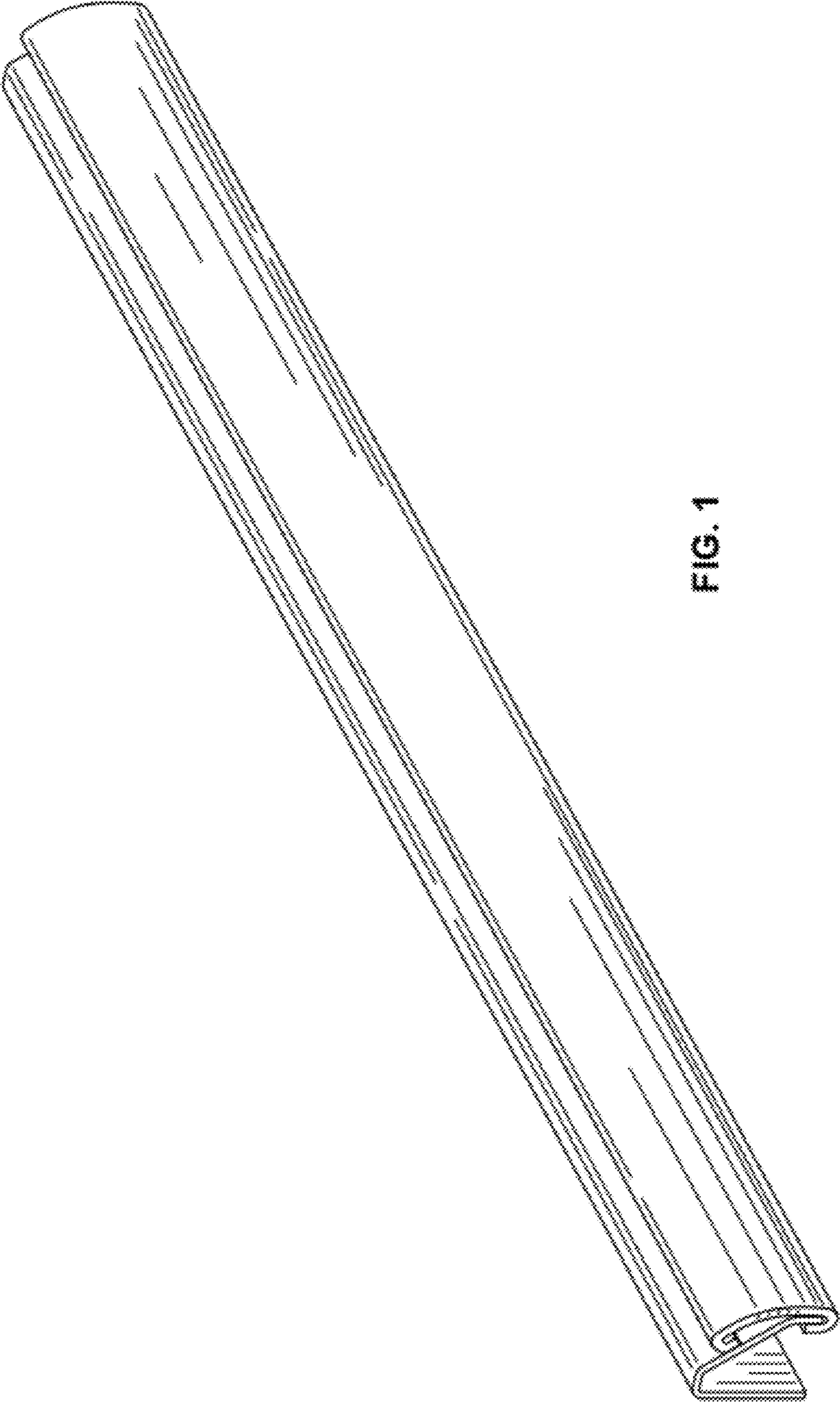


FIG. 1



FIG. 2

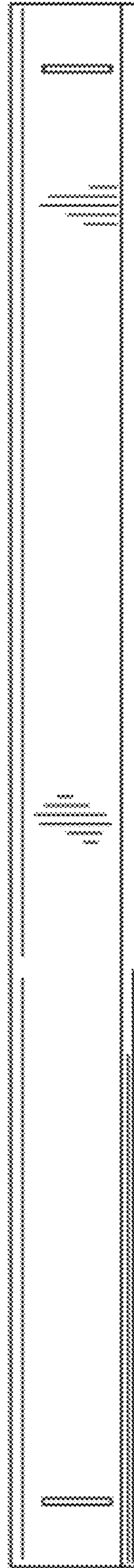


FIG. 3

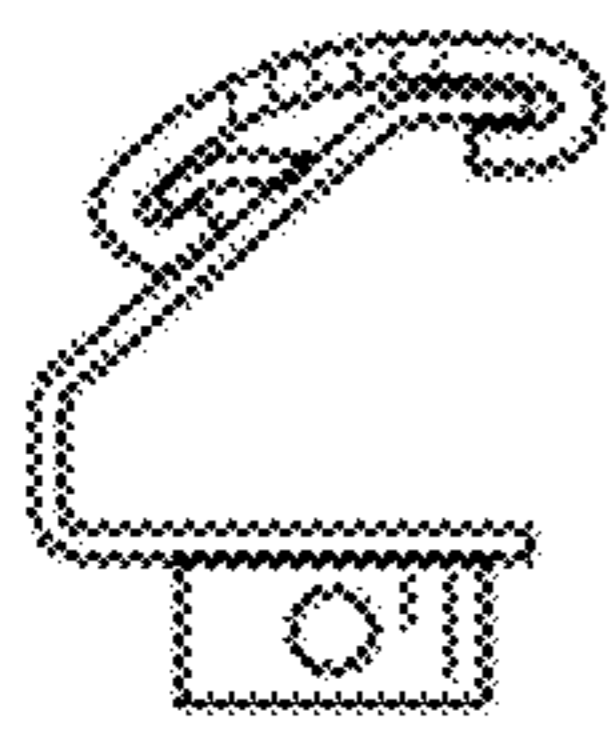


FIG. 5

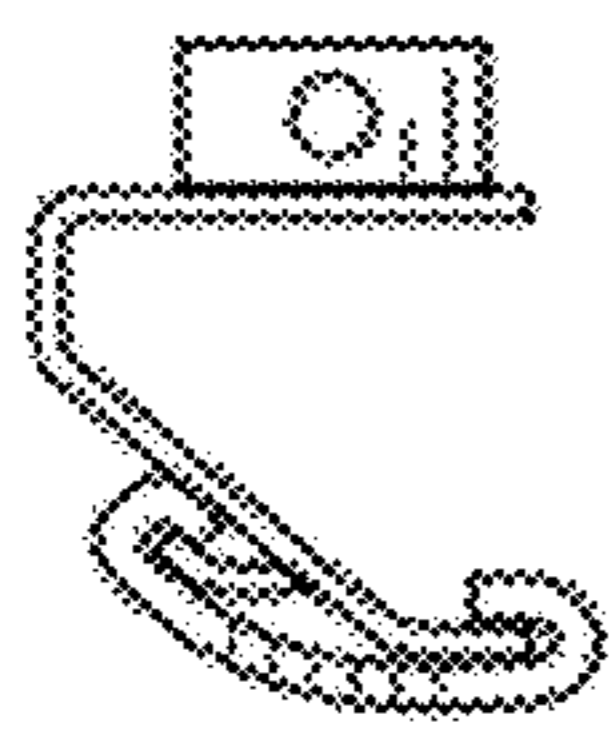


FIG. 4

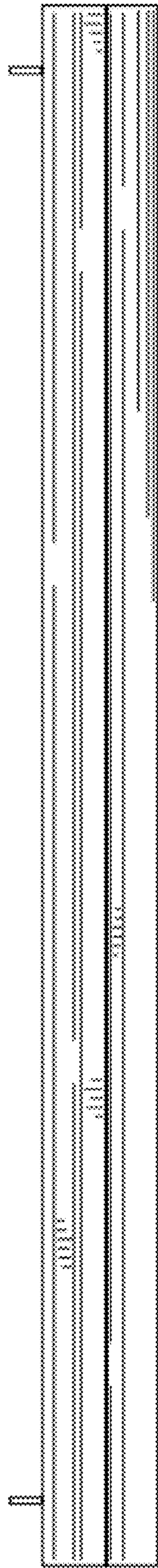


FIG. 6

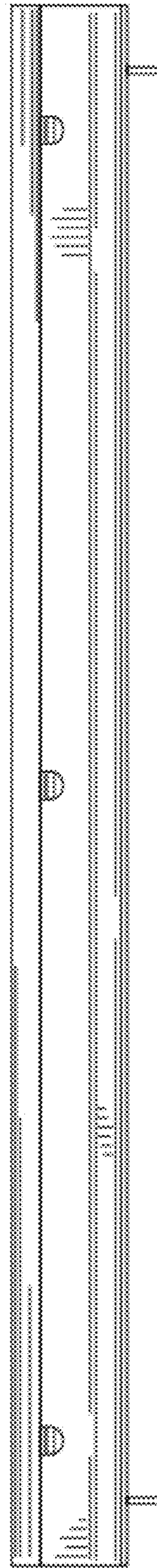


FIG. 7

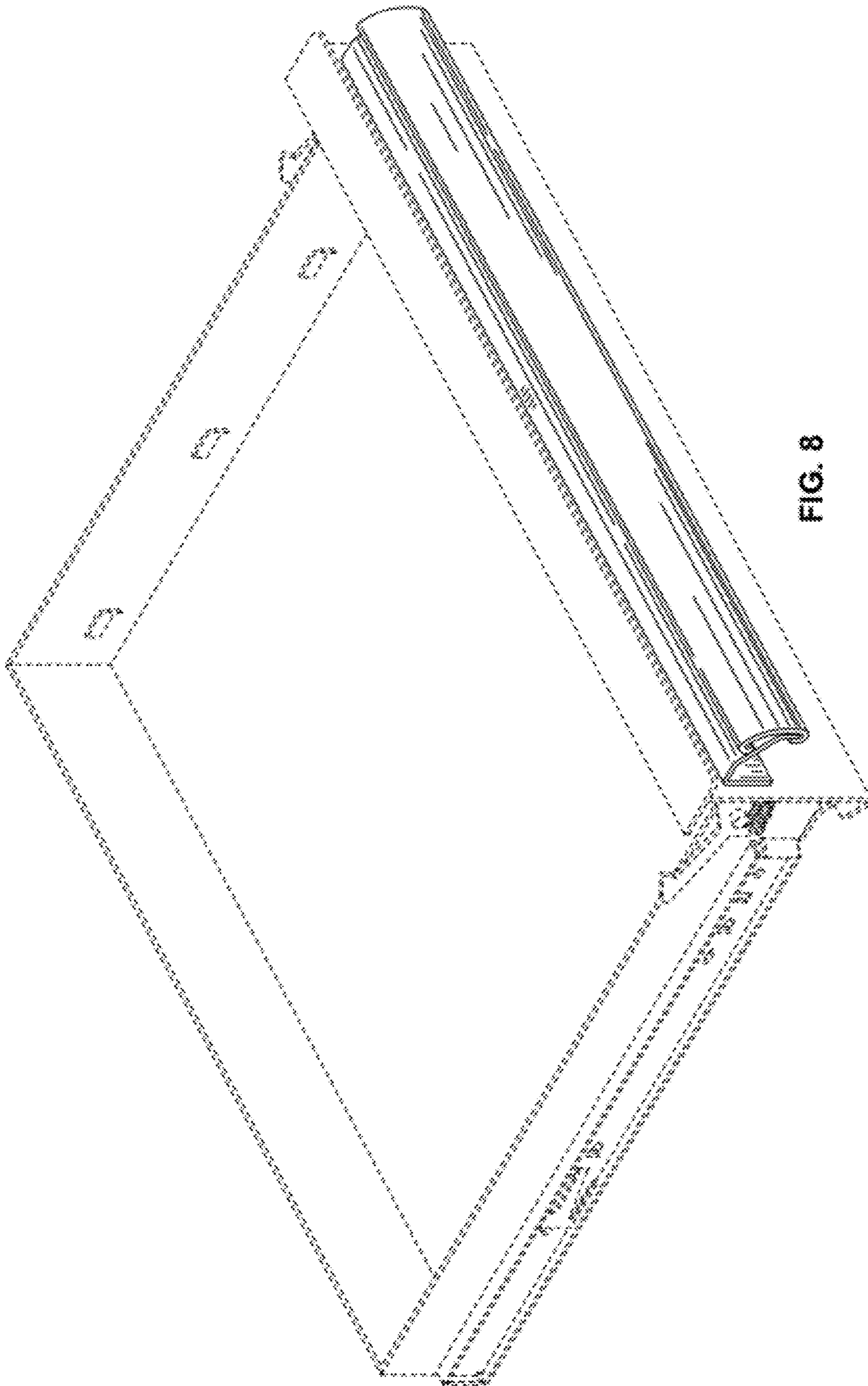


FIG. 8