

US00D660458S

(12) **United States Design Patent**
Thornton

(10) **Patent No.:** **US D660,458 S**

(45) **Date of Patent:** **** May 22, 2012**

(54) **STRUCTURAL MEMBER**

(76) Inventor: **Patrick Thornton**, Oak Flats (AU)

(**) Term: **14 Years**

(21) Appl. No.: **29/359,259**

(22) Filed: **Apr. 7, 2010**

(30) **Foreign Application Priority Data**

Apr. 6, 2010 (AU) 11202/2010

(51) **LOC (9) Cl.** **25-01**

(52) **U.S. Cl.** **D25/102**

(58) **Field of Classification Search** D25/138,
D25/38, 164, 119, 102; D8/1; 52/233
See application file for complete search history.

(56) **References Cited**

U.S. PATENT DOCUMENTS

1,813,455 A 8/1929 Lawton
(Continued)

FOREIGN PATENT DOCUMENTS

AU 144458 S 10/1999
(Continued)

Primary Examiner — Holly Baynham

Assistant Examiner — Michelle E Wilson

(74) *Attorney, Agent, or Firm* — Dowell & Dowell, PC

(57) **CLAIM**

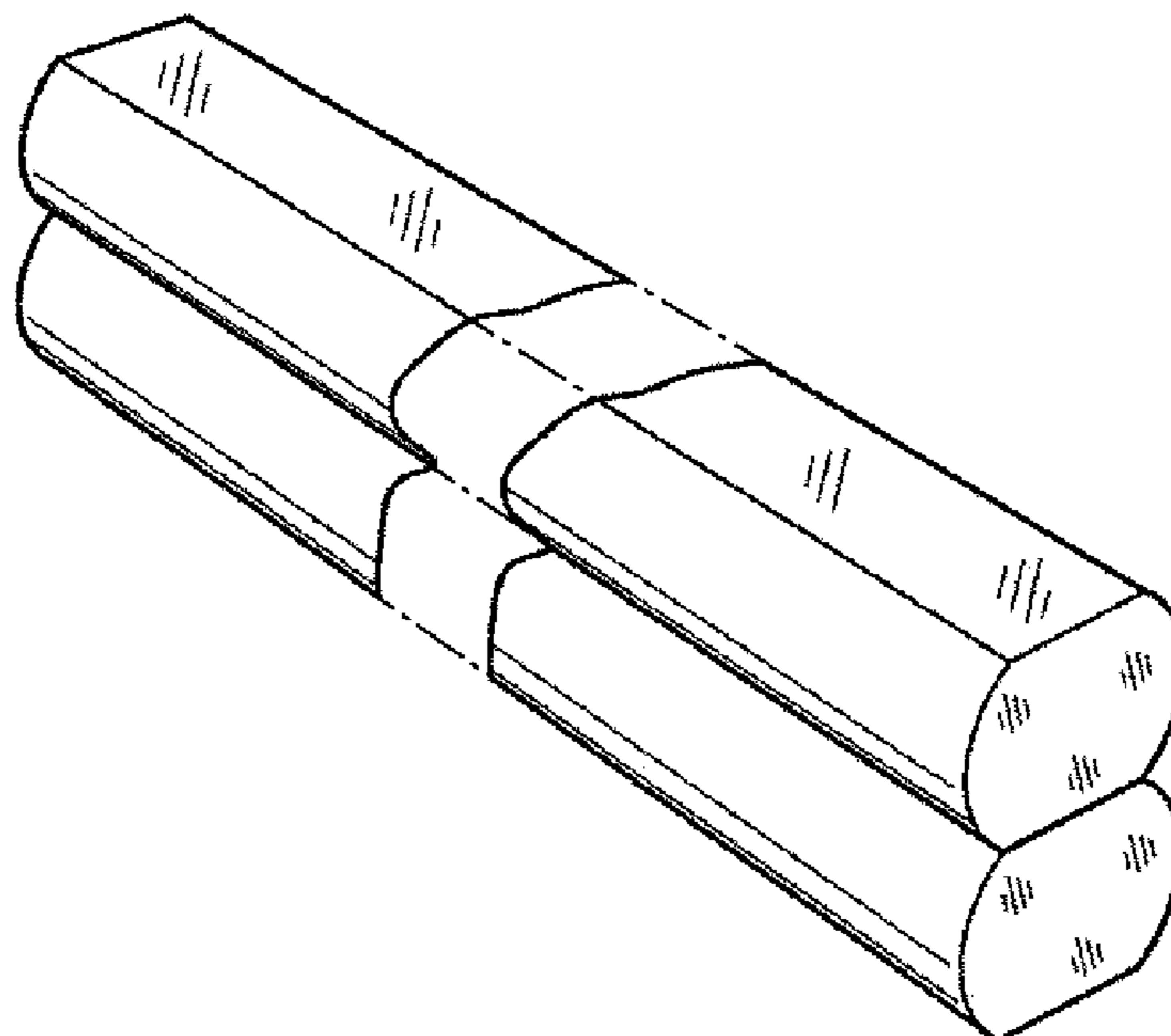
The ornamental design for structural member, as shown and described.

DESCRIPTION

FIG. 1 is a front right perspective view of a first embodiment of structural member showing my new design.
FIG. 2 is a front left perspective view of the first embodiment.
FIG. 3 is a rear left perspective view of the first embodiment.
FIG. 4 is a rear right perspective view of the first embodiment.
FIG. 5 is a top view of the first embodiment.
FIG. 6 is a bottom view of the first embodiment.
FIG. 7 is a left side view of the first embodiment.
FIG. 8 is a right side view of the first embodiment.
FIG. 9 is a front view of the first embodiment.
FIG. 10 is a rear view of the first embodiment.
FIG. 11 is a sectional view taken along line 11-11 of FIG. 8.
FIG. 12 is a front right perspective view of a second embodiment of the structural member showing my new design.
FIG. 13 is a front left perspective view of the second embodiment.
FIG. 14 is a rear left perspective view of the second embodiment.
FIG. 15 is a rear right perspective view of the second embodiment.
FIG. 16 is a top view of the second embodiment.
FIG. 17 is a bottom view of the second embodiment.
FIG. 18 is a left side view of the second embodiment.
FIG. 19 is a right side view of the second embodiment.
FIG. 20 is a front view of the second embodiment.
FIG. 21 is a rear view of the second embodiment; and,
FIG. 22 is a sectional view of the second embodiment taken along line 22-22 of FIG. 19.

The area between the broken-away lines shown in FIGS. 1-22, forms no part of the claimed design.

1 Claim, 8 Drawing Sheets



US D660,458 S

Page 2

U.S. PATENT DOCUMENTS

3,908,322 A * 9/1975 Shoaf 52/92.1
4,463,532 A 8/1984 Faw
5,058,343 A 10/1991 Nipko
D379,244 S * 5/1997 Wiebe D25/164
5,782,046 A * 7/1998 Karlsson 52/233
6,199,332 B1 * 3/2001 Ellson 52/233
6,363,672 B1 * 4/2002 Baker 52/233
D459,488 S 6/2002 Thornton et al.
D459,493 S 6/2002 Thornton et al.
D462,788 S 9/2002 Thornton et al.
D475,144 S * 5/2003 Thornton et al. D25/119
7,318,299 B2 * 1/2008 Chambers 52/105
D569,880 S * 5/2008 Ugarte D15/89
D571,380 S * 6/2008 Ugarte D15/89
D574,519 S * 8/2008 Hubbell D25/121

D575,879 S * 8/2008 Wrightman et al. D25/121
7,854,098 B2 * 12/2010 Stanhope 52/309.3

FOREIGN PATENT DOCUMENTS

AU 144245 S 11/1999
AU 150489 S 8/2001
AU 156224 S 2/2003
AU 158523 S 4/2004
AU 327160 S 6/2009
AU 327161 S 6/2009
AU 327162 S 6/2009
AU 327173 S 6/2009
AU 327275 S 6/2009
FR 2556030 A1 6/1985
WO 2009094696 A1 8/2009

* cited by examiner

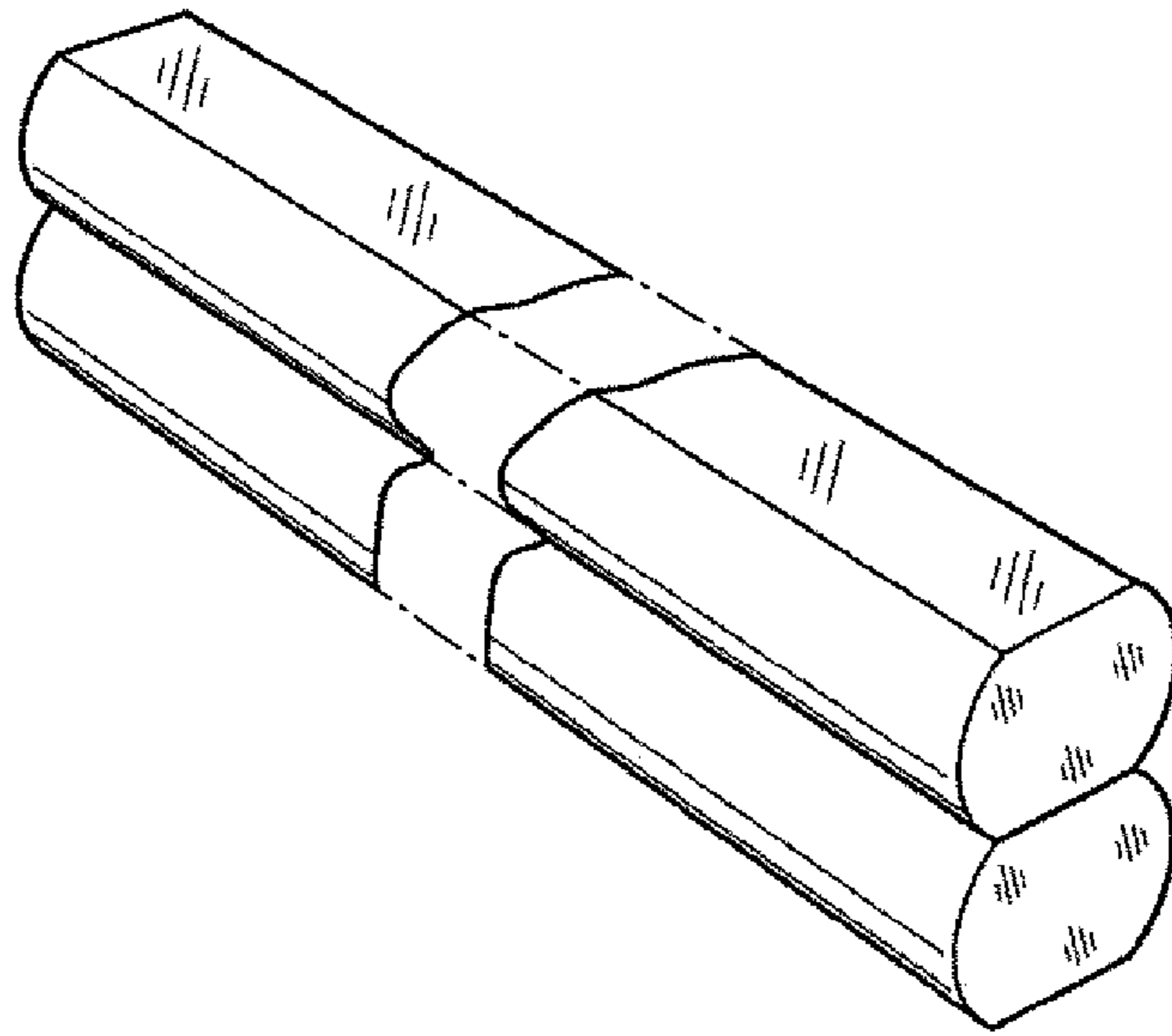


FIGURE 1

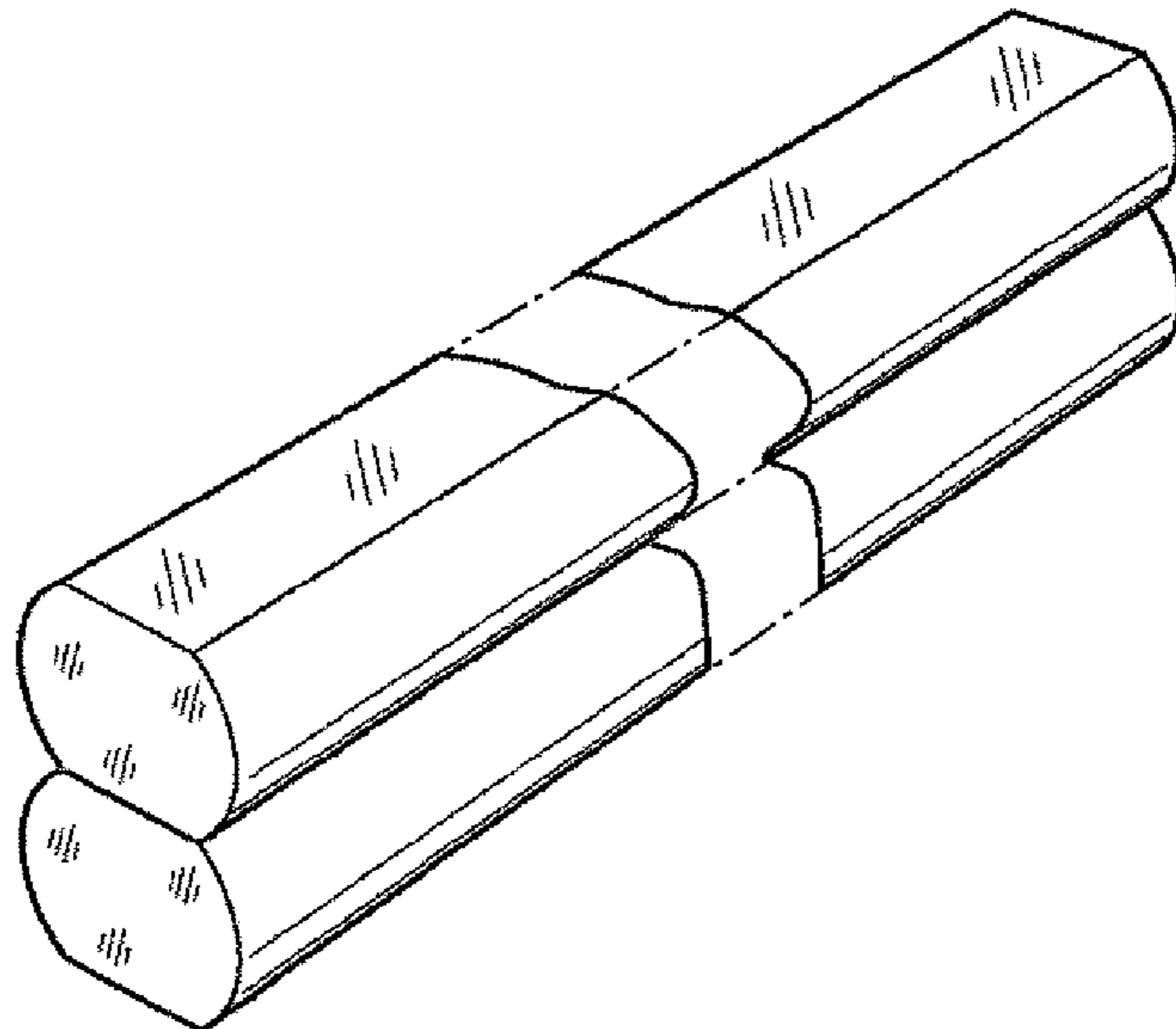


FIGURE 2

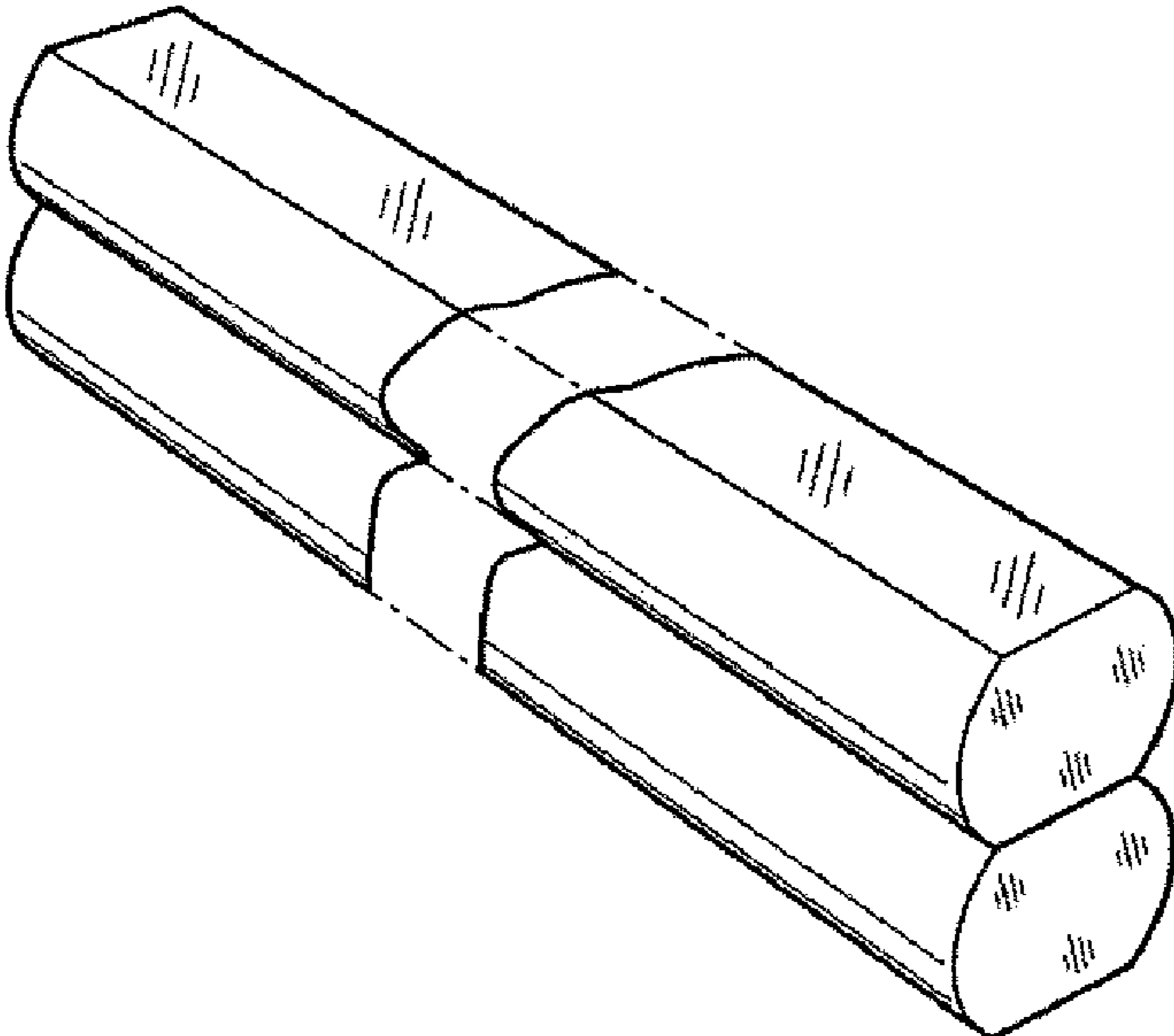


FIGURE 3

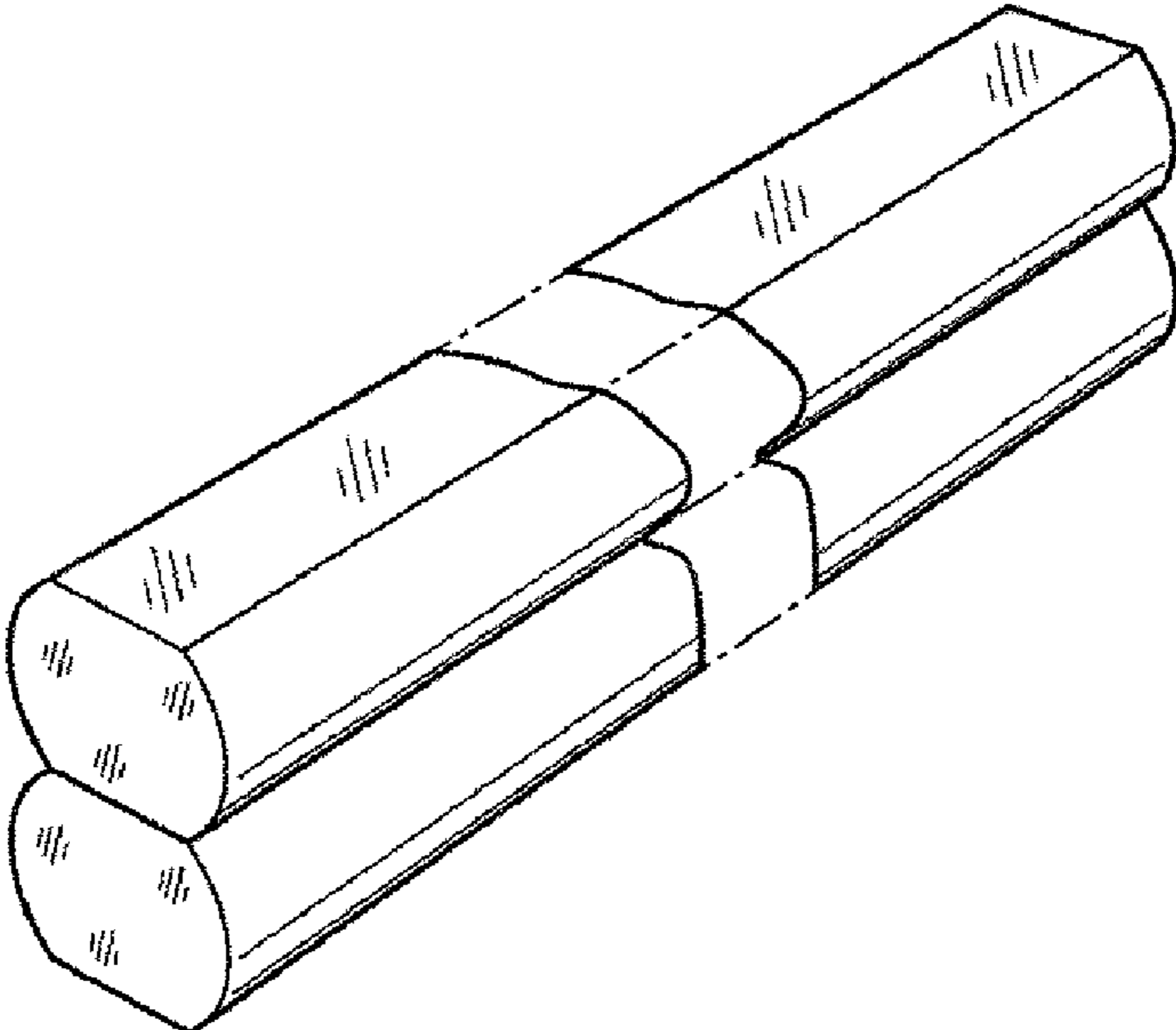


FIGURE 4



FIGURE 5



FIGURE 6

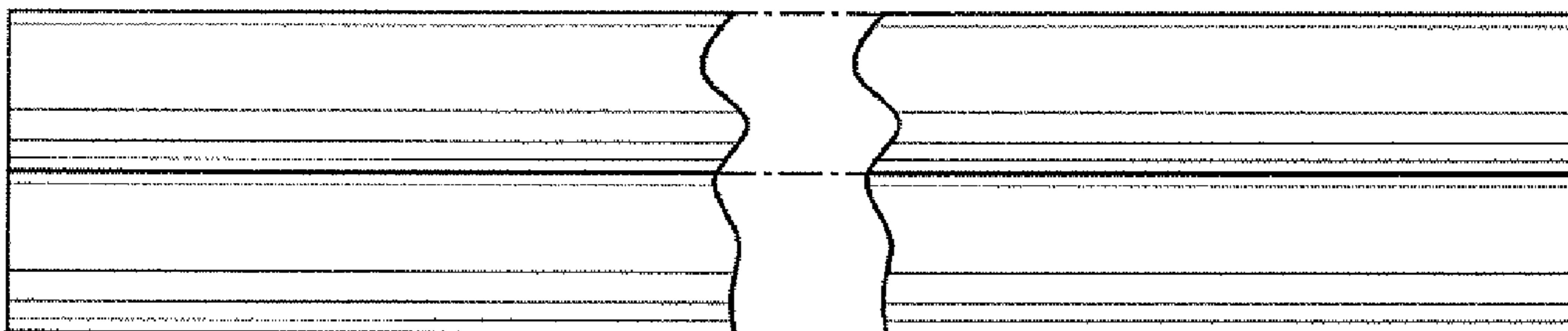


FIGURE 7

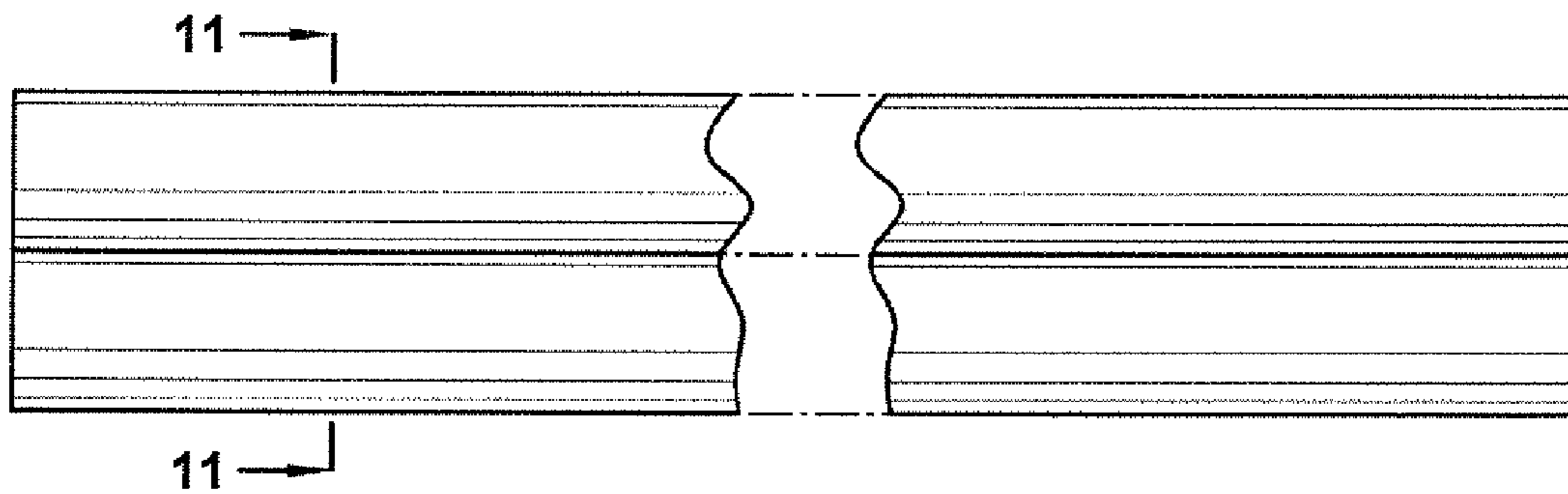


FIGURE 8

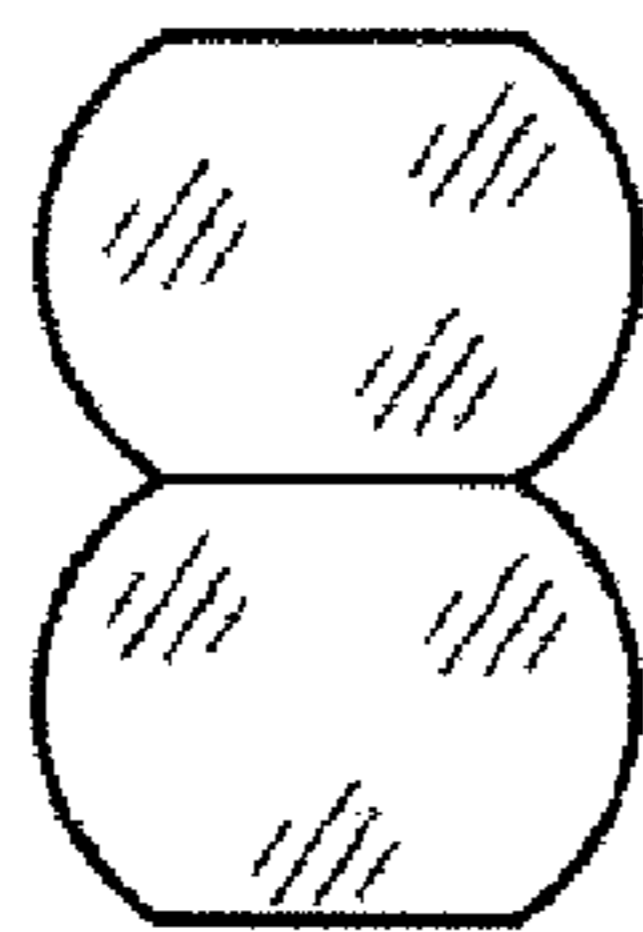


FIGURE 9

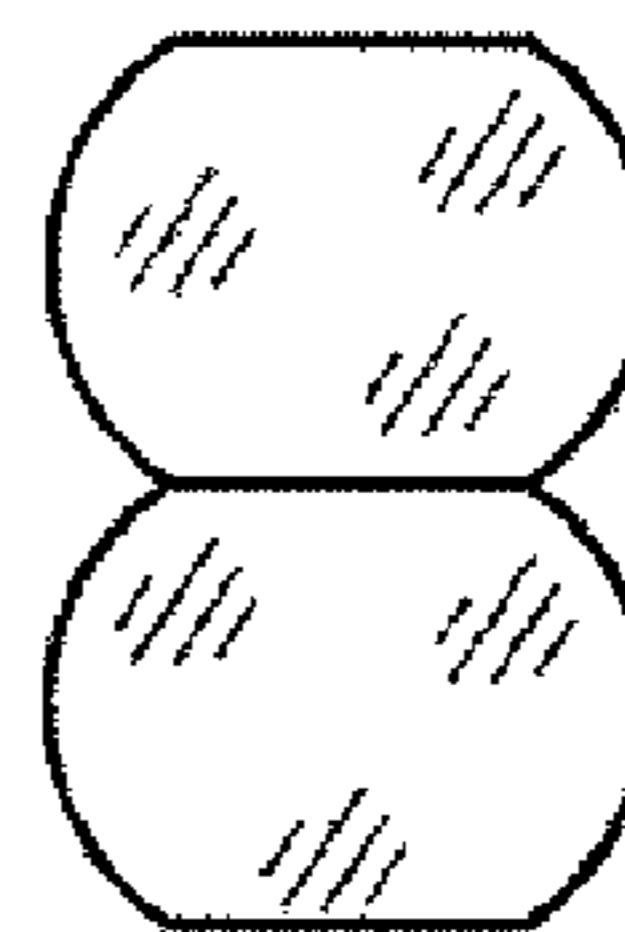


FIGURE 10

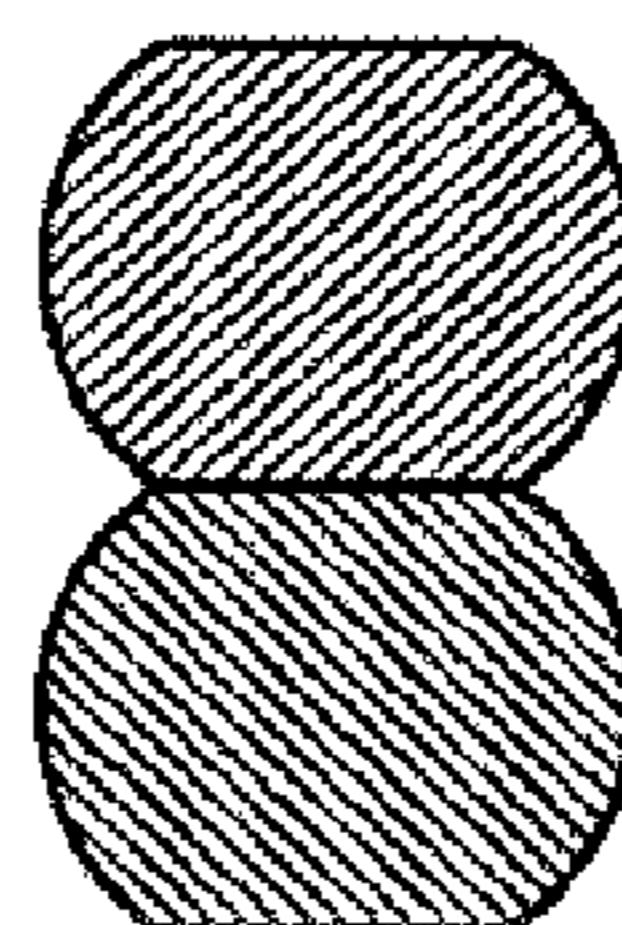


FIGURE 11

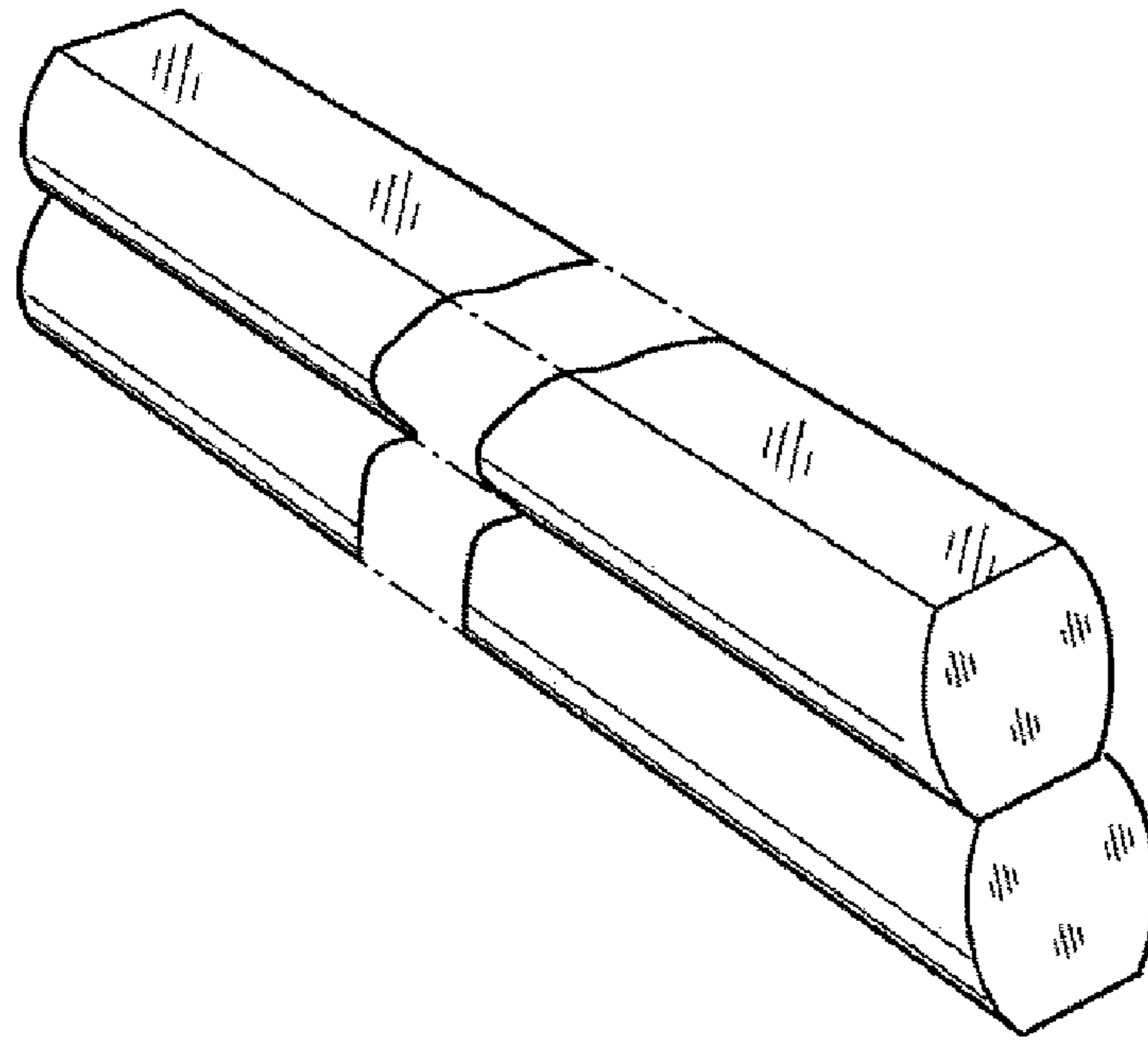


FIGURE 12

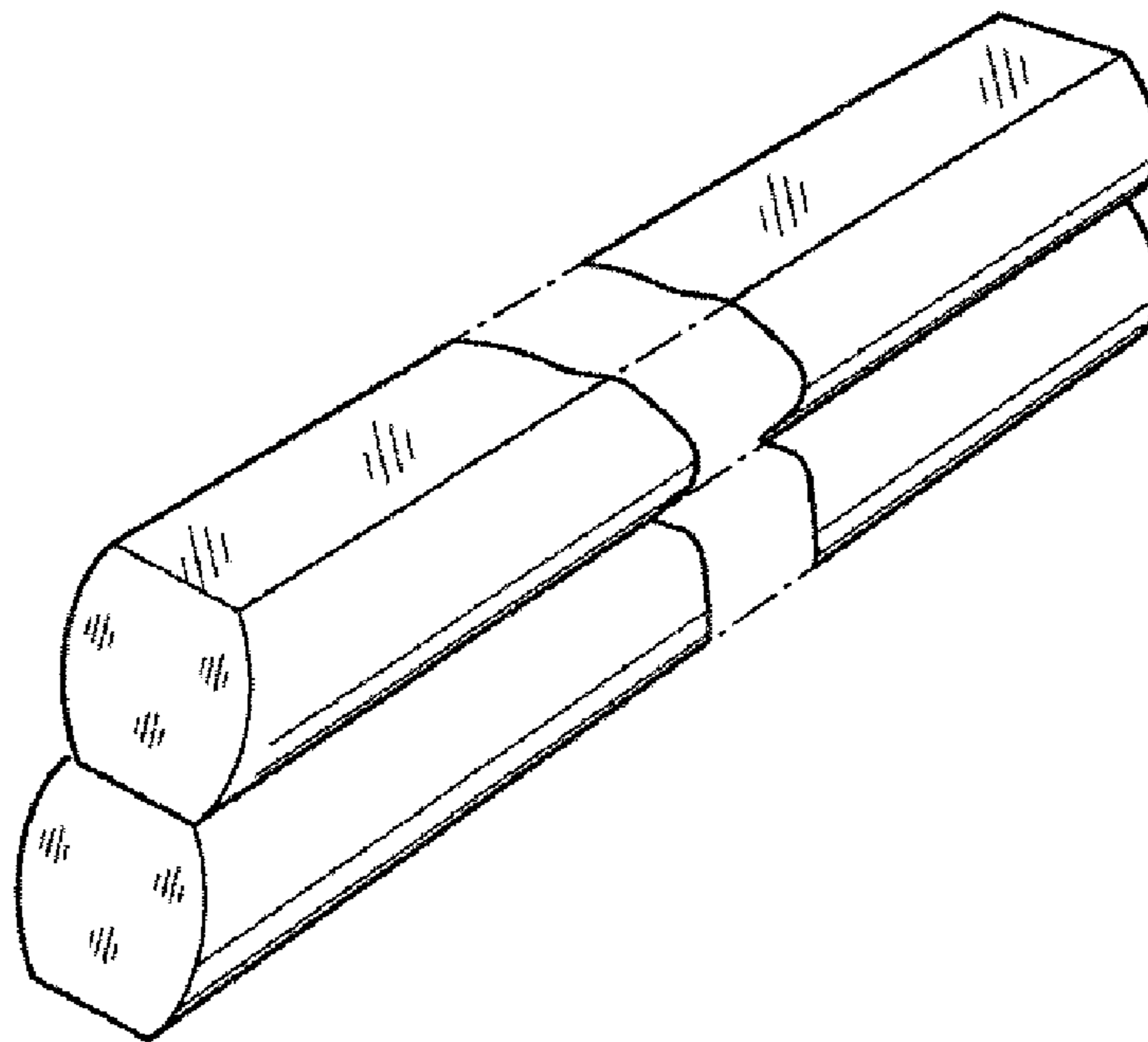


FIGURE 13

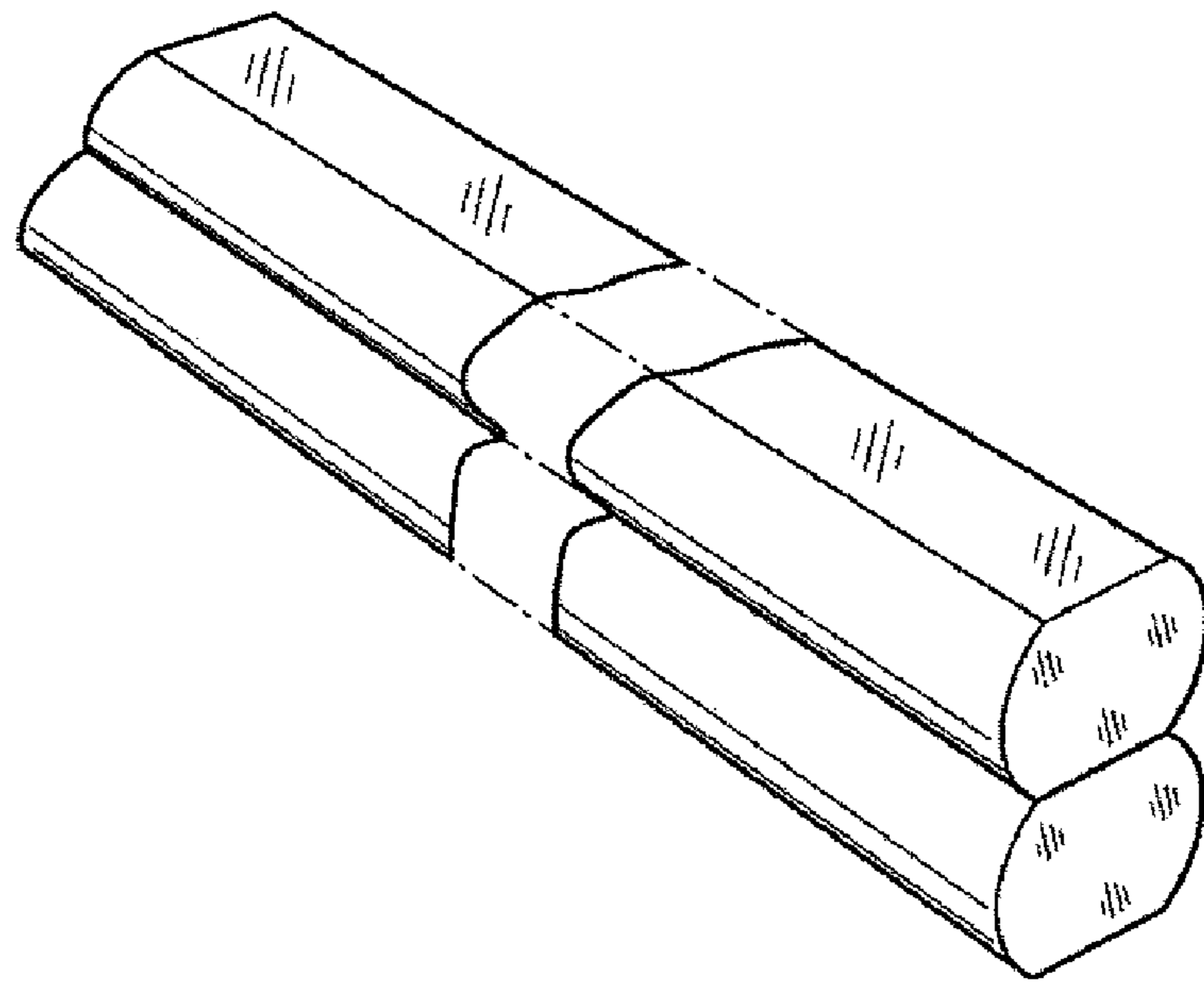


FIGURE 14

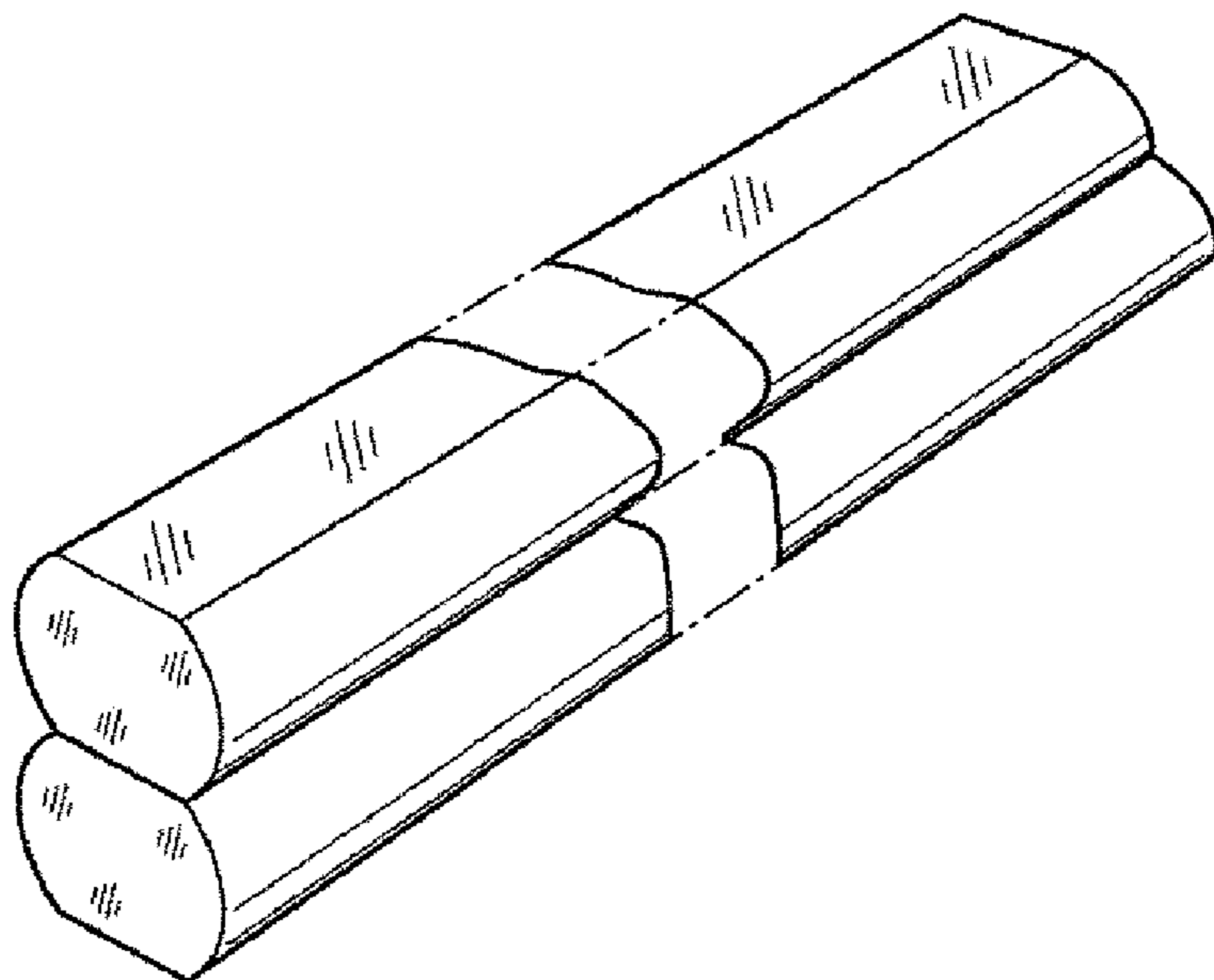


FIGURE 15



FIGURE 16



FIGURE 17

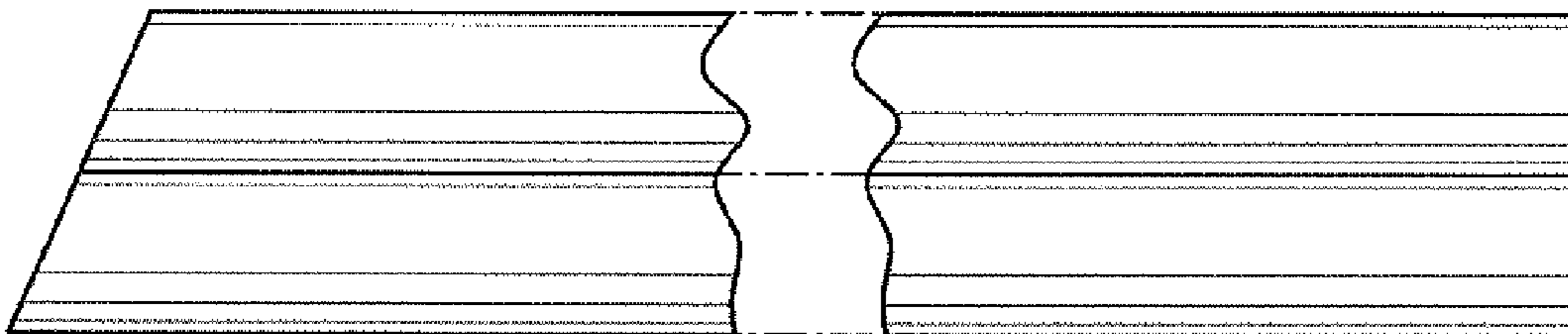


FIGURE 18

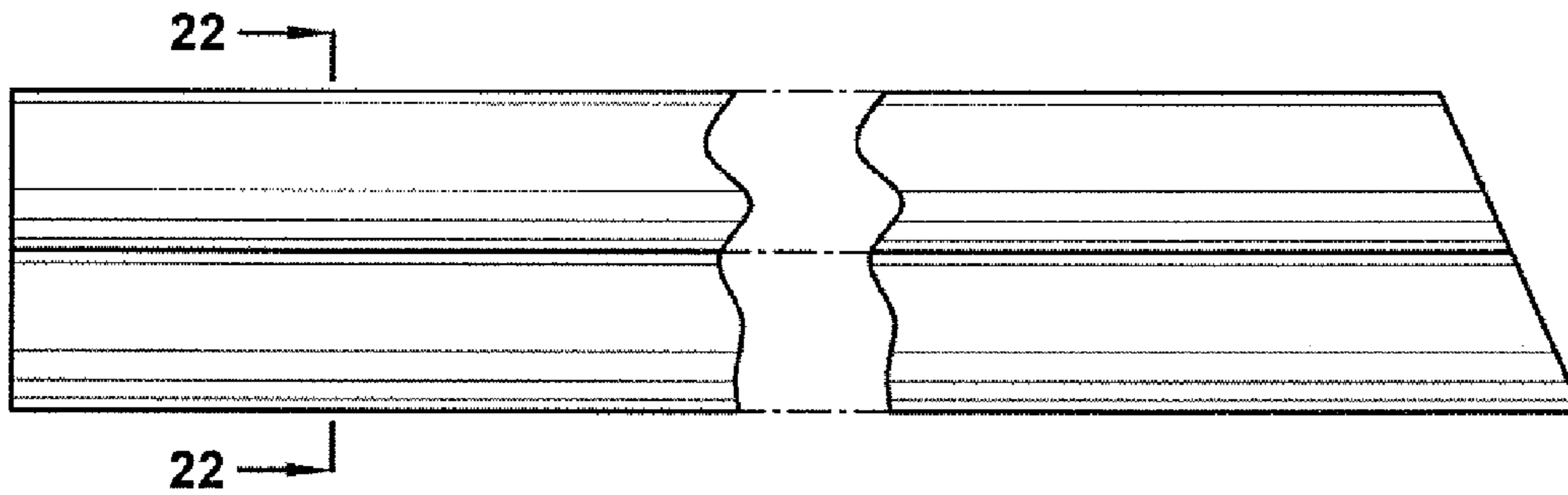


FIGURE 19

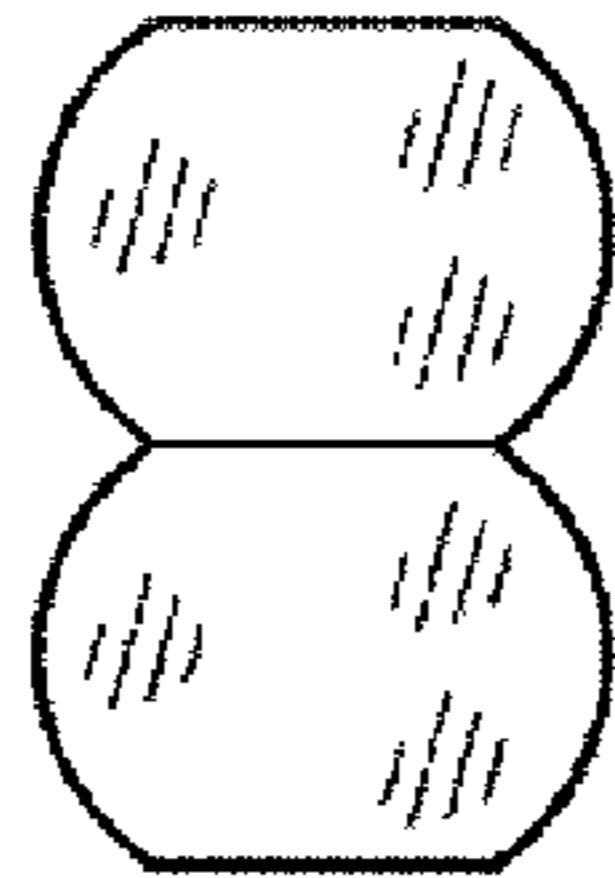


FIGURE 20

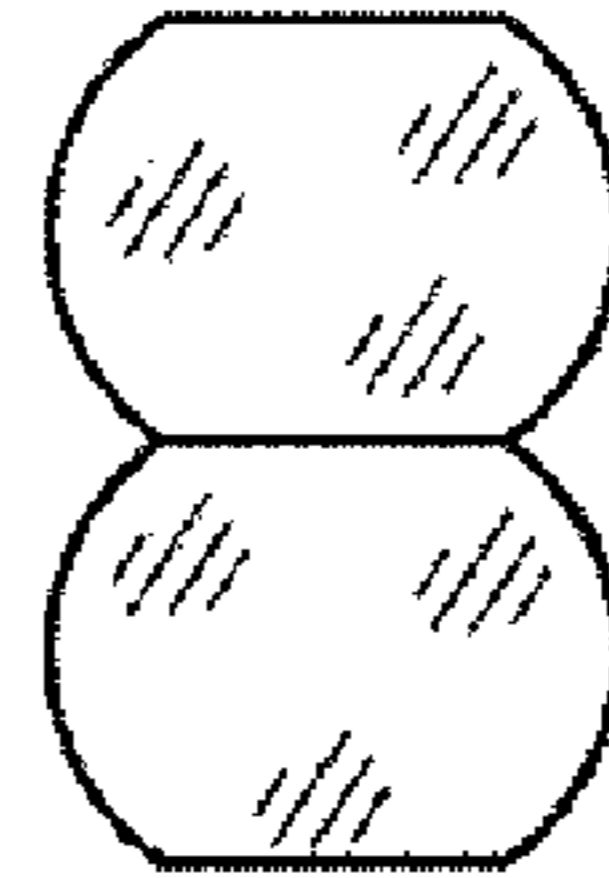


FIGURE 21

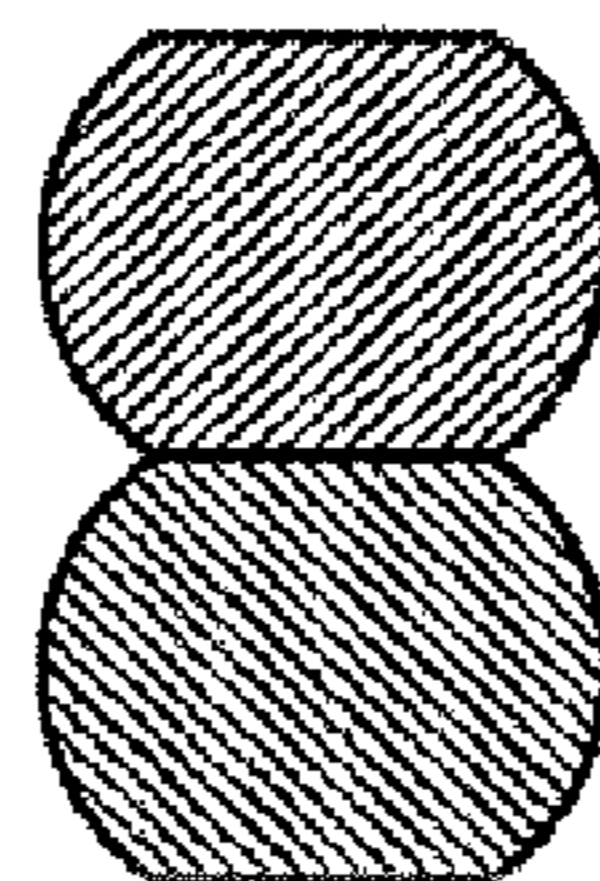


FIGURE 22