



US00D660457S

(12) **United States Design Patent**  
**Lombard et al.**

(10) **Patent No.:** **US D660,457 S**

(45) **Date of Patent:** **\*\* May 22, 2012**

(54) **SUPPORT PLATFORM**

(75) Inventors: **Johan Lombard**, Durbanville (ZA);  
**Ronald Ralph Wamback**, Strand (ZA)

(73) Assignee: **High Point Trading 393 CC**, Cape  
Town, Western Cape (ZA)

(\*\*) Term: **14 Years**

(21) Appl. No.: **29/363,721**

(22) Filed: **Jun. 14, 2010**

(30) **Foreign Application Priority Data**

Dec. 15, 2009	(ZA)	.....	A2009/01936
Dec. 15, 2009	(ZA)	.....	A2009/01938
Dec. 15, 2009	(ZA)	.....	F2009/01932
Dec. 15, 2009	(ZA)	.....	F2009/01937
May 5, 2010	(ZA)	.....	A2010/00653
May 5, 2010	(ZA)	.....	A2010/00654
May 5, 2010	(ZA)	.....	A2010/00655
May 5, 2010	(ZA)	.....	A2010/00656

(51) **LOC (9) Cl.** ..... **25-04**

(52) **U.S. Cl.** ..... **D25/62**

(58) **Field of Classification Search** ..... D25/62;  
182/112, 117, 119, 128, 141, 144, 147, 186.6;  
248/678, 346.01, 346.02, 346.05, 346.07

See application file for complete search history.

(56) **References Cited**

U.S. PATENT DOCUMENTS

5,308,037	A *	5/1994	Gonzalez	.....	248/670
7,228,939	B1 *	6/2007	Prater	.....	182/141
D596,317	S *	7/2009	Favell	.....	D25/62
2006/0243526	A1 *	11/2006	Perry	.....	182/141

\* cited by examiner

*Primary Examiner* — Doris Clark

(74) *Attorney, Agent, or Firm* — Neifeld IP Law, PC

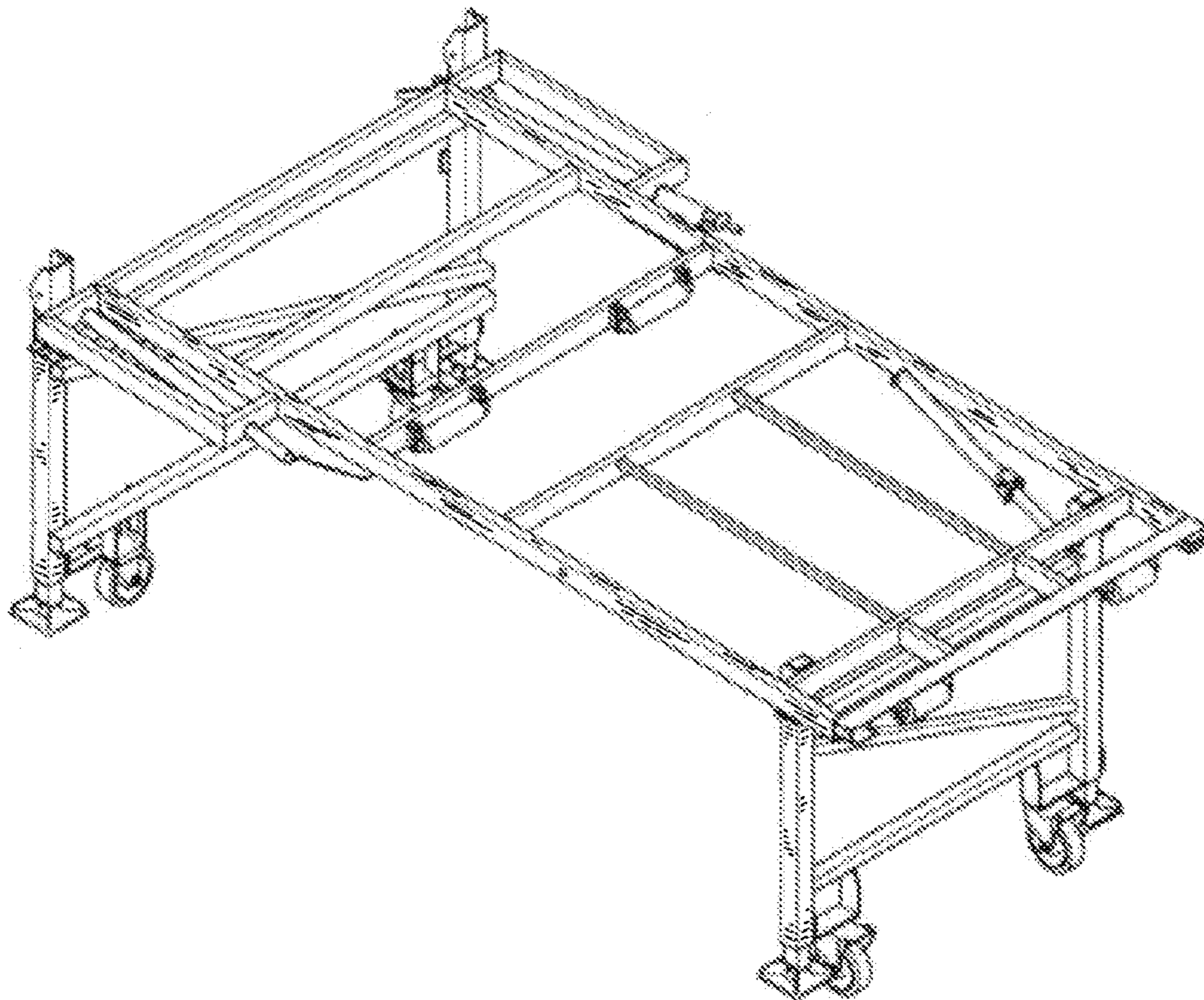
(57) **CLAIM**

The ornamental design for the support platform, as shown and described.

**DESCRIPTION**

FIG. 1 is a front perspective view of a first embodiment of a support platform in a first position;  
FIG. 2 is a top view of the embodiment of FIG. 1;  
FIG. 3 is a side view of the embodiment of FIG. 1;  
FIG. 4 is a rear view of the embodiment of FIG. 1;  
FIG. 5 is a rear perspective view of the support platform in a second position;  
FIG. 6 is a rear view of the support platform in the position of FIG. 5; and,  
FIG. 7 is a side view of the support platform in the position of FIG. 5.

**1 Claim, 3 Drawing Sheets**



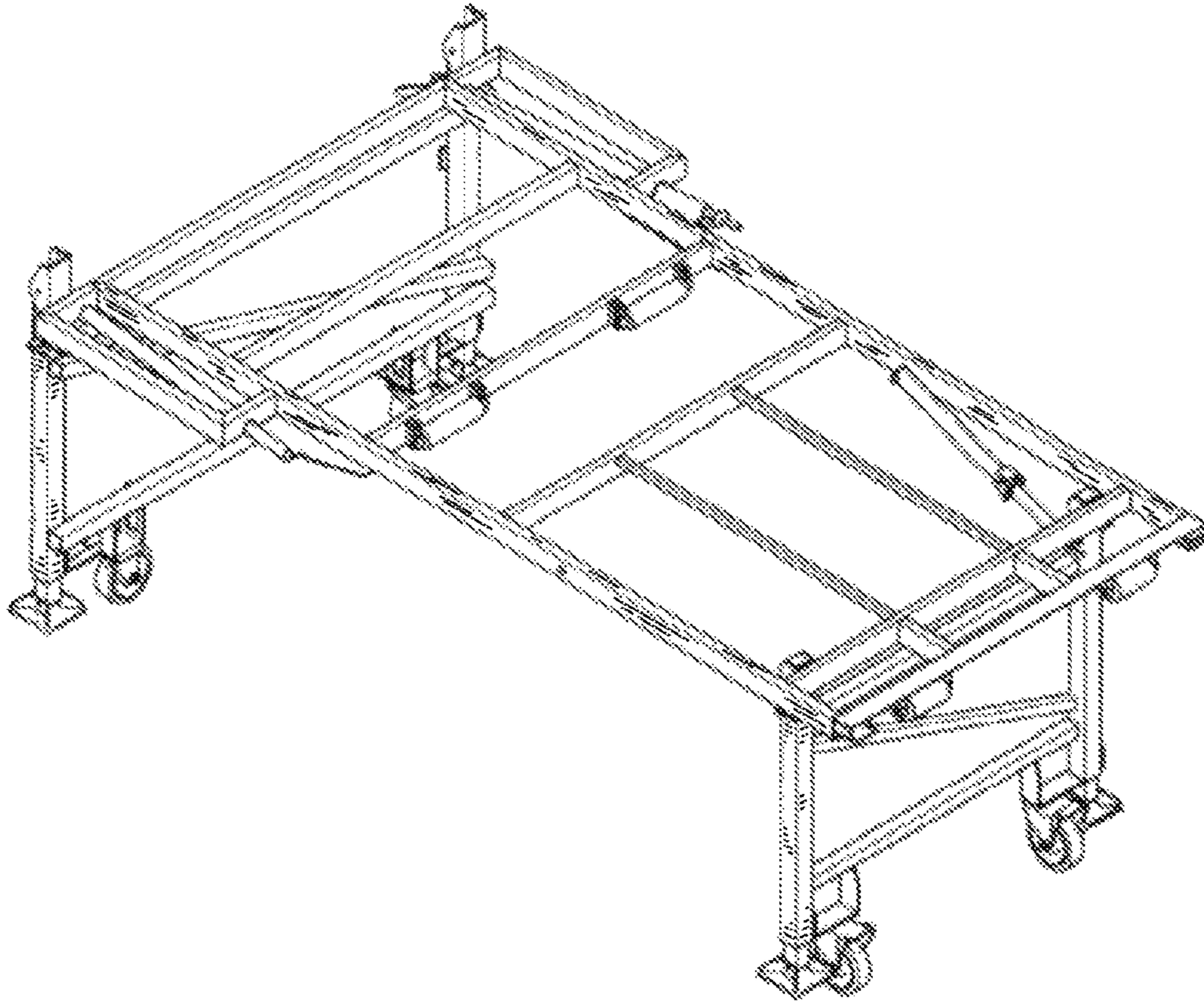


FIG 1

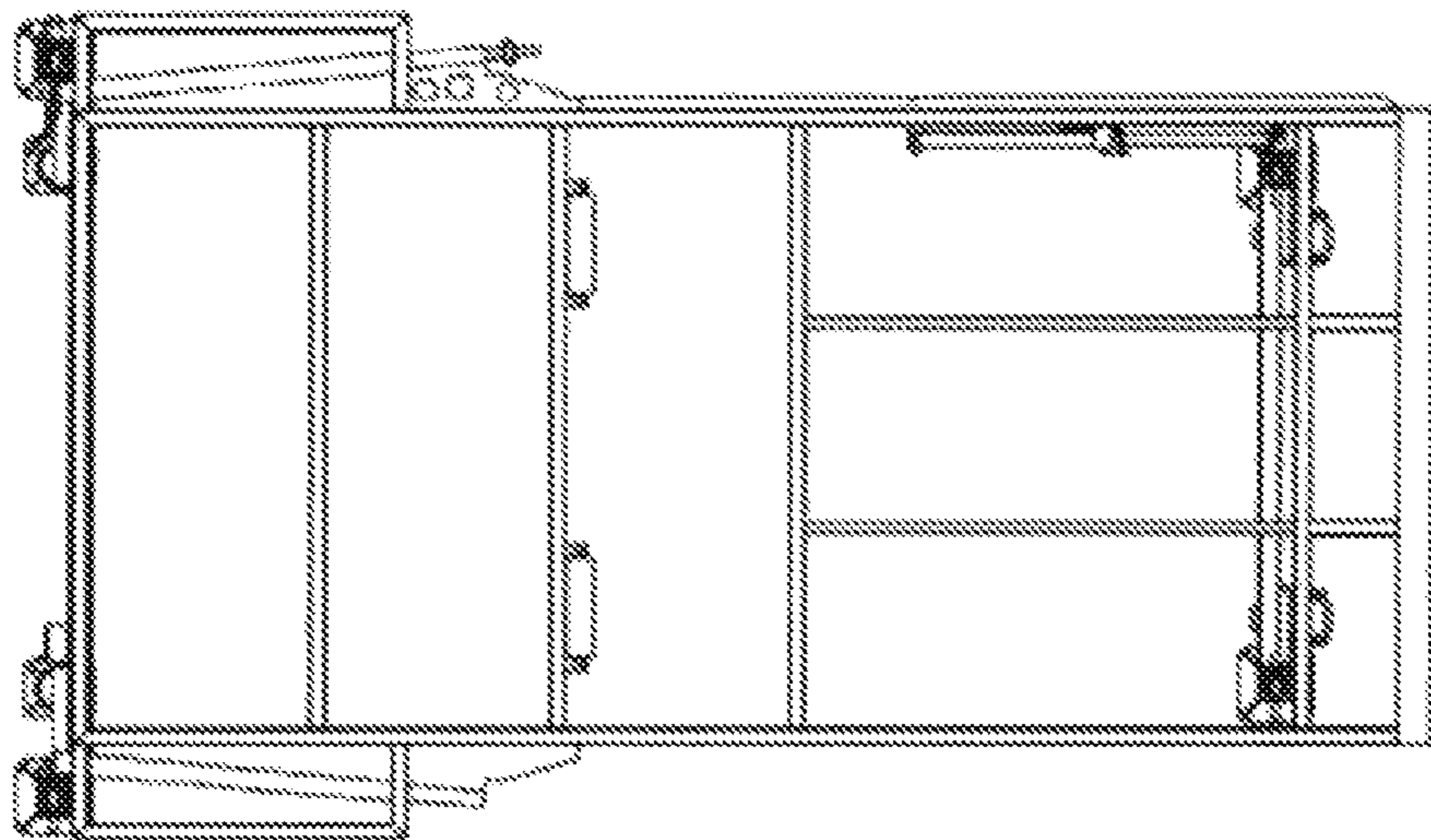


FIG 2

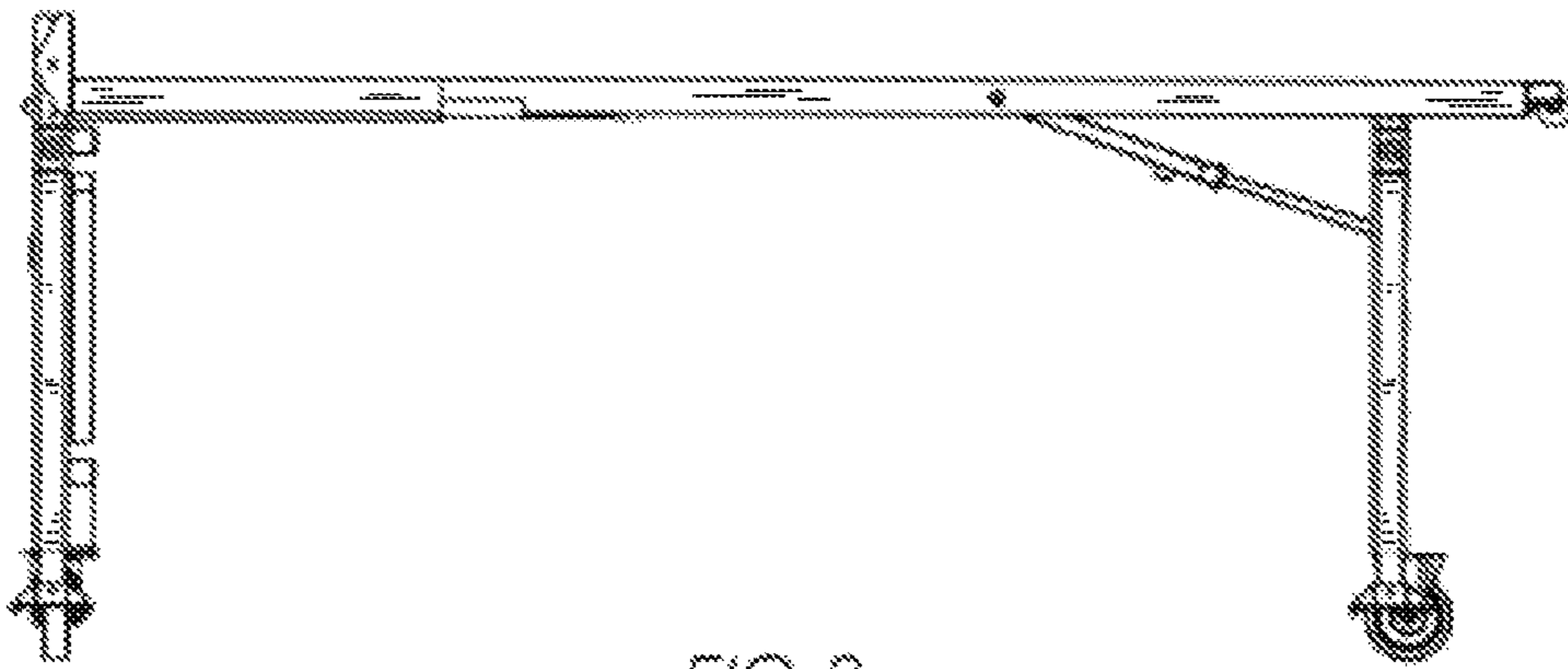


FIG 3

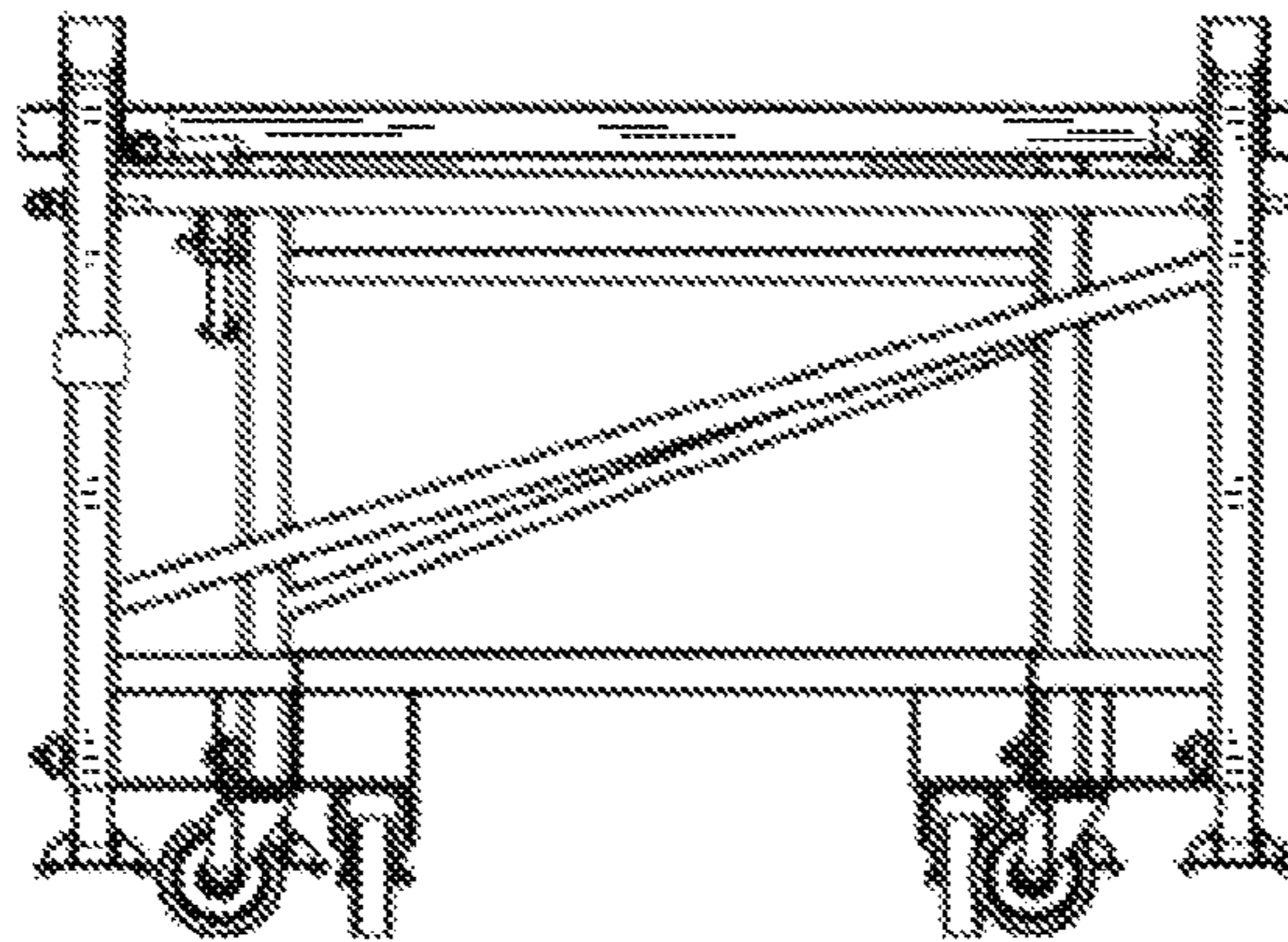


FIG 4

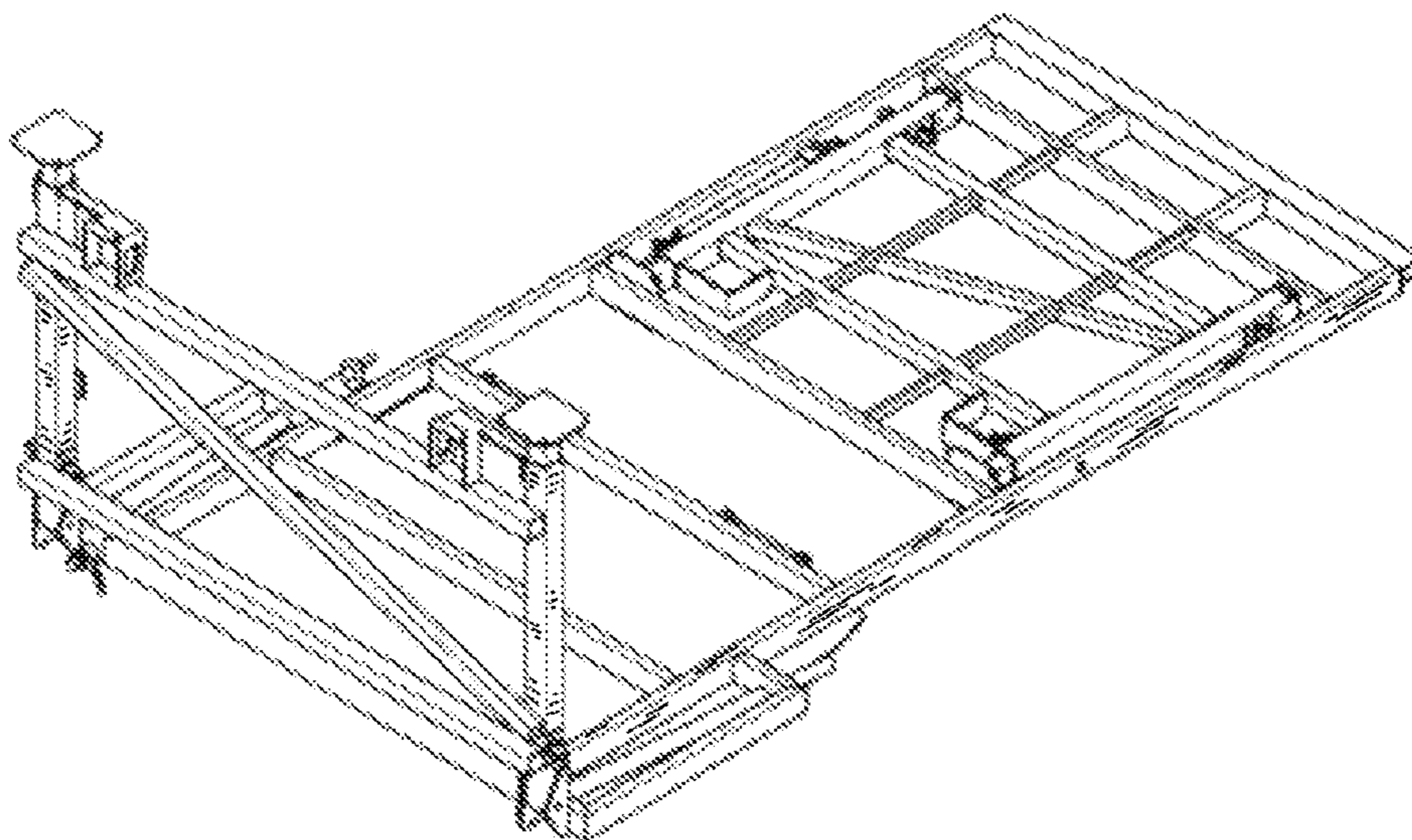


FIG 5

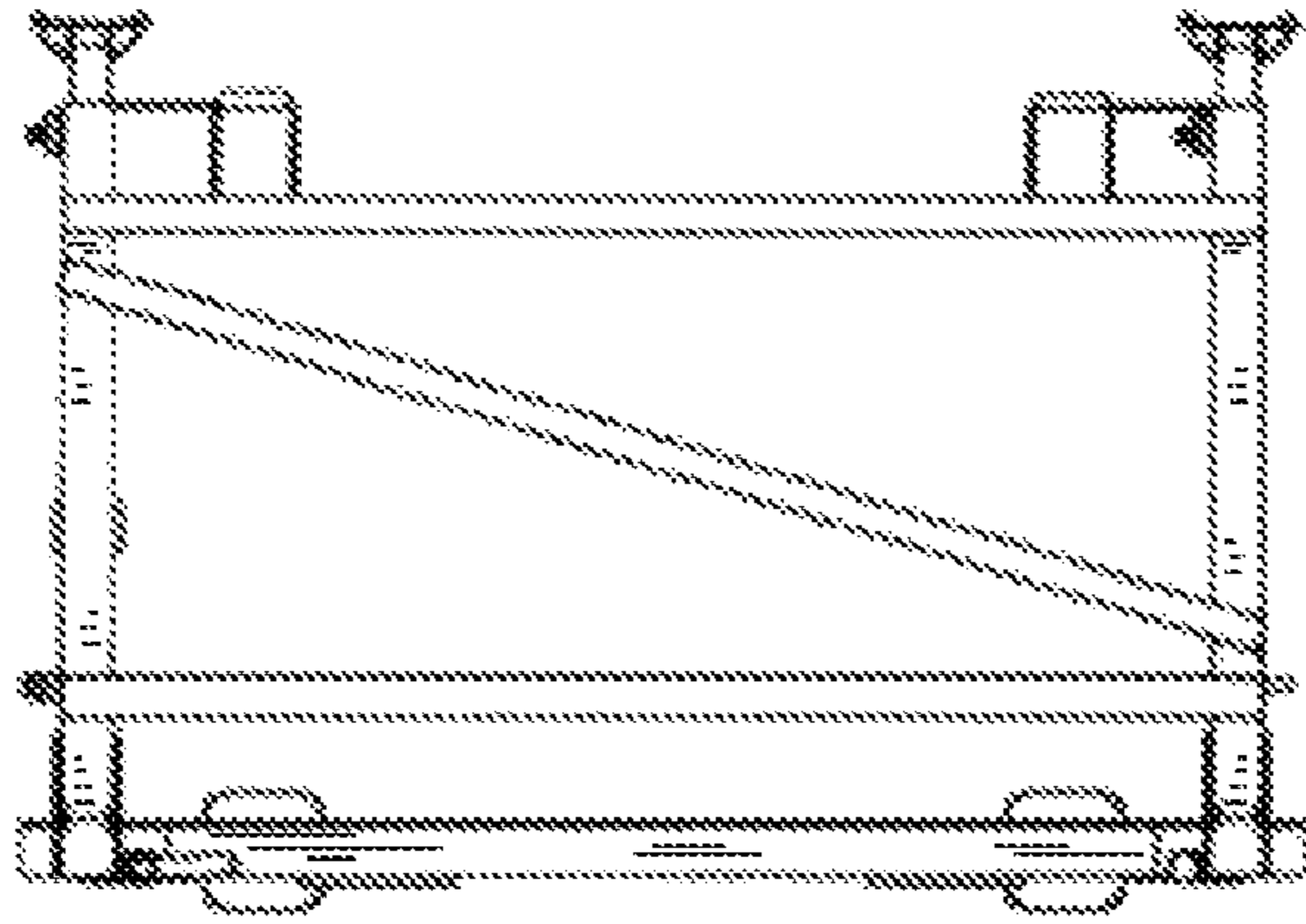


FIG 6

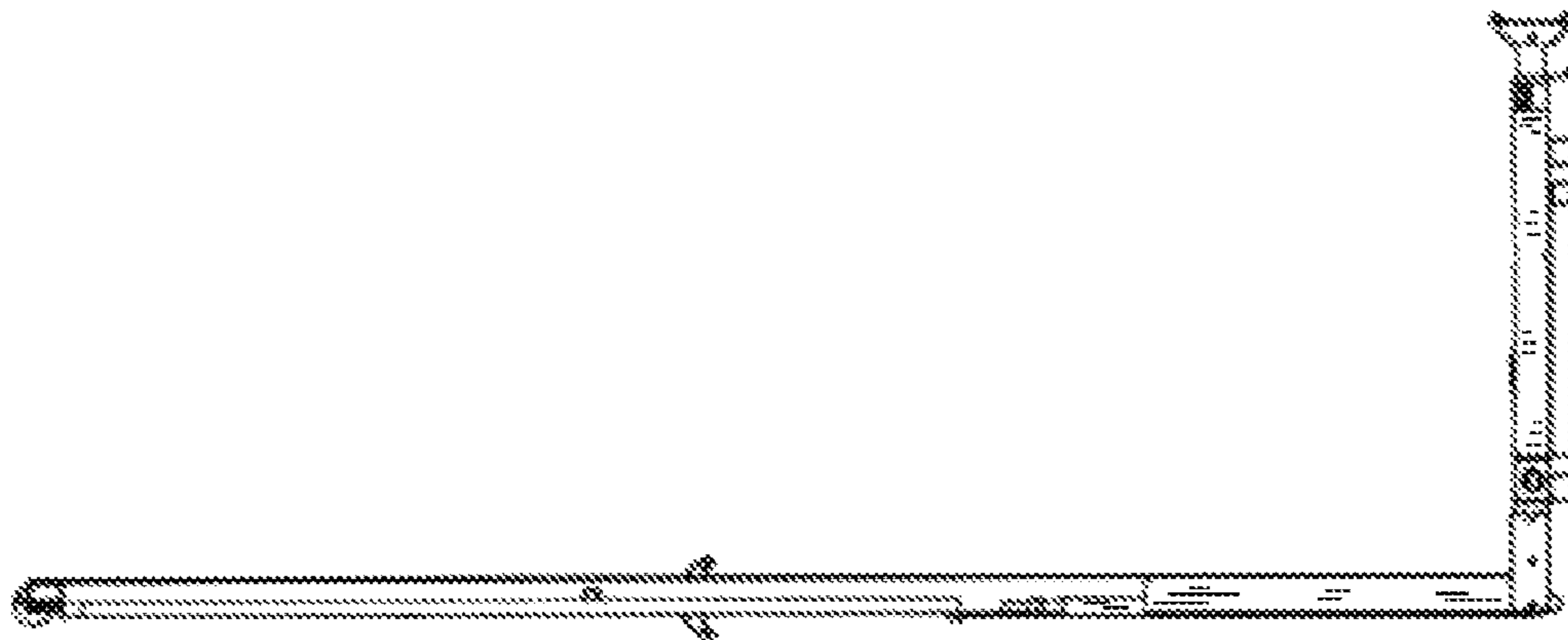


FIG 7