



US00D660456S

(12) **United States Design Patent**  
**McKinney**

(10) **Patent No.:** **US D660,456 S**

(45) **Date of Patent:** **\*\* May 22, 2012**

(54) **FABRIC AND BEAD COMBINATION FOR AN AWNING**

(76) Inventor: **Kennon Kyle McKinney**, Baytown, TX (US)

(\*\*) Term: **14 Years**

(21) Appl. No.: **29/376,807**

(22) Filed: **Oct. 12, 2010**

**Related U.S. Application Data**

(63) Continuation of application No. 11/434,337, filed on May 15, 2006.

(51) **LOC (9) Cl.** ..... **25-02**

(52) **U.S. Cl.** ..... **D25/57**

(58) **Field of Classification Search** ..... D25/126, D25/55, 57, 61; D8/377; 52/716.6, 718.04, 52/718.01, 731.2, 63, 222, 56, 22, 33, 38, 52/2.19; 160/395, 384, 380, 392, 394, 391, 160/383; 135/119

See application file for complete search history.

(56) **References Cited**

**U.S. PATENT DOCUMENTS**

1,350,027	A *	8/1920	Lane	.....	160/381
2,204,622	A	6/1940	Reid		
2,759,538	A *	8/1956	Long	.....	160/379
2,778,100	A	1/1957	Lipman		
2,835,325	A *	5/1958	Gilbert et al.	.....	160/369
3,143,165	A	8/1964	Lewis et al.		
3,214,314	A	10/1965	Rowbottam et al.		
3,503,101	A *	3/1970	Kolozsvary	.....	24/443

4,107,826	A *	8/1978	Tysdal	.....	24/460
4,370,792	A	2/1983	Watts		
4,716,704	A	1/1988	Murr		
4,926,605	A	5/1990	Milliken et al.		
D309,351	S	7/1990	Patsy, Jr.		
5,044,131	A	9/1991	Fisher		
5,076,033	A	12/1991	Patsy, Jr.		
5,209,029	A	5/1993	Foerst		
D355,587	S *	2/1995	Pozzi	.....	D8/377
5,555,695	A	9/1996	Patsy, Jr.		
5,577,352	A	11/1996	Fisher		
5,732,755	A	3/1998	Cross		
5,794,400	A	8/1998	Fisher et al.		
D412,584	S *	8/1999	Shrira	.....	D25/61
6,279,644	B1	8/2001	Wylie		
D610,708	S *	2/2010	Kramer	.....	D25/57

\* cited by examiner

*Primary Examiner* — Doris Clark

(74) *Attorney, Agent, or Firm* — David W. Carstens; Carstens & Cahoon, LLP

(57) **CLAIM**

The ornamental design for a fabric and bead combination for an awning, as shown and described.

**DESCRIPTION**

FIG. 1 is a perspective view of a fabric and bead combination for an awning, showing my new design.

FIG. 2 is a front end view thereof.

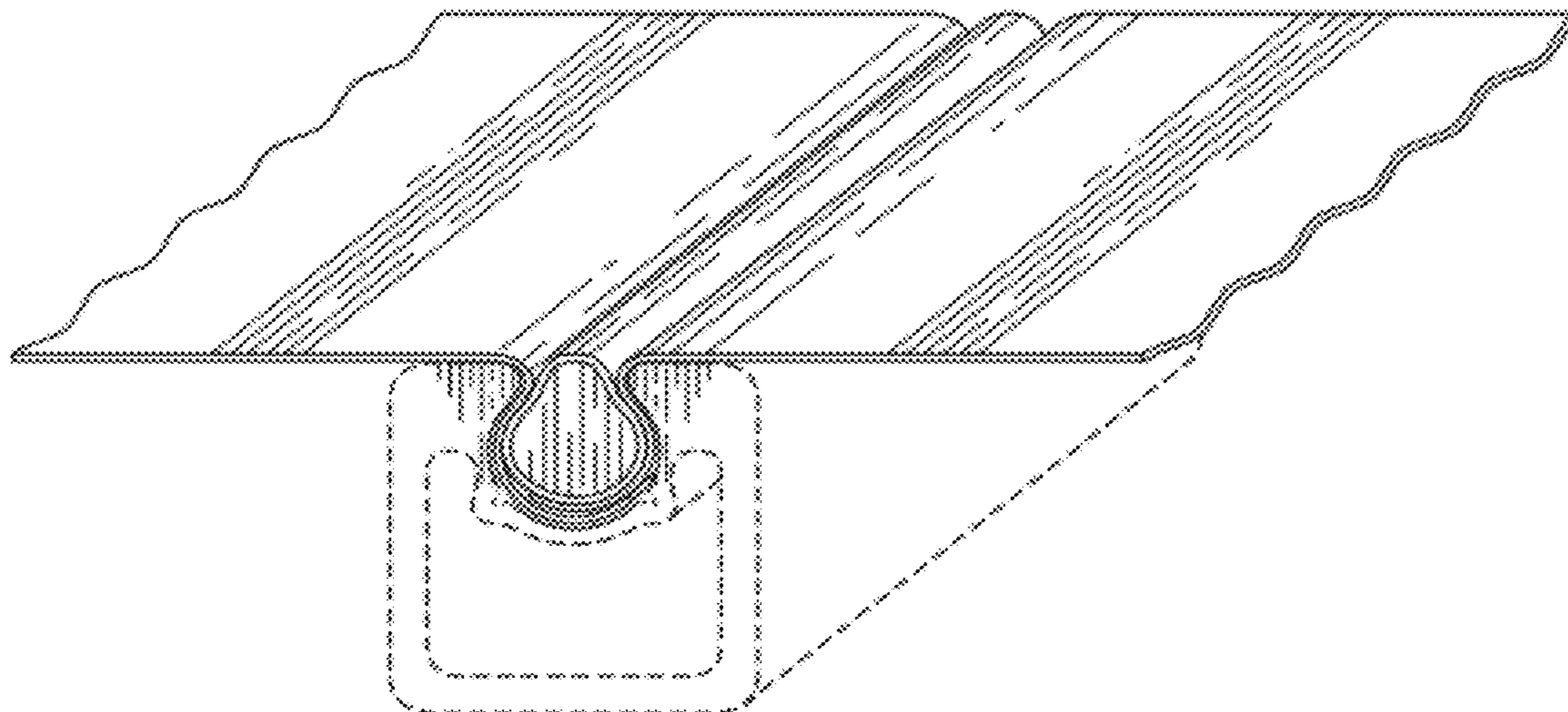
FIG. 3 is a rear end view thereof.

FIG. 4 is a side view thereof.

FIG. 5 is a top view thereof; and,

FIG. 6 is a bottom view thereof.

**1 Claim, 3 Drawing Sheets**



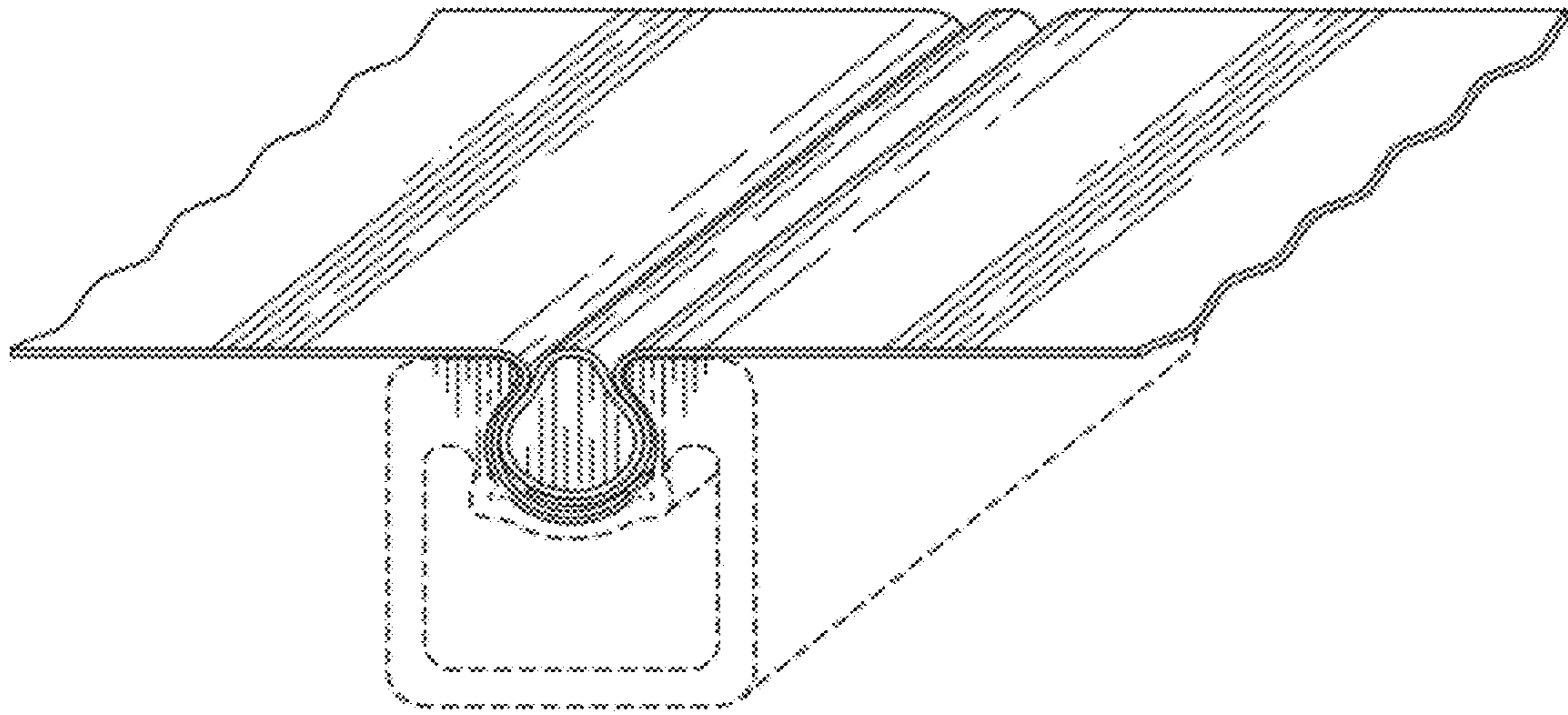


FIG. 1

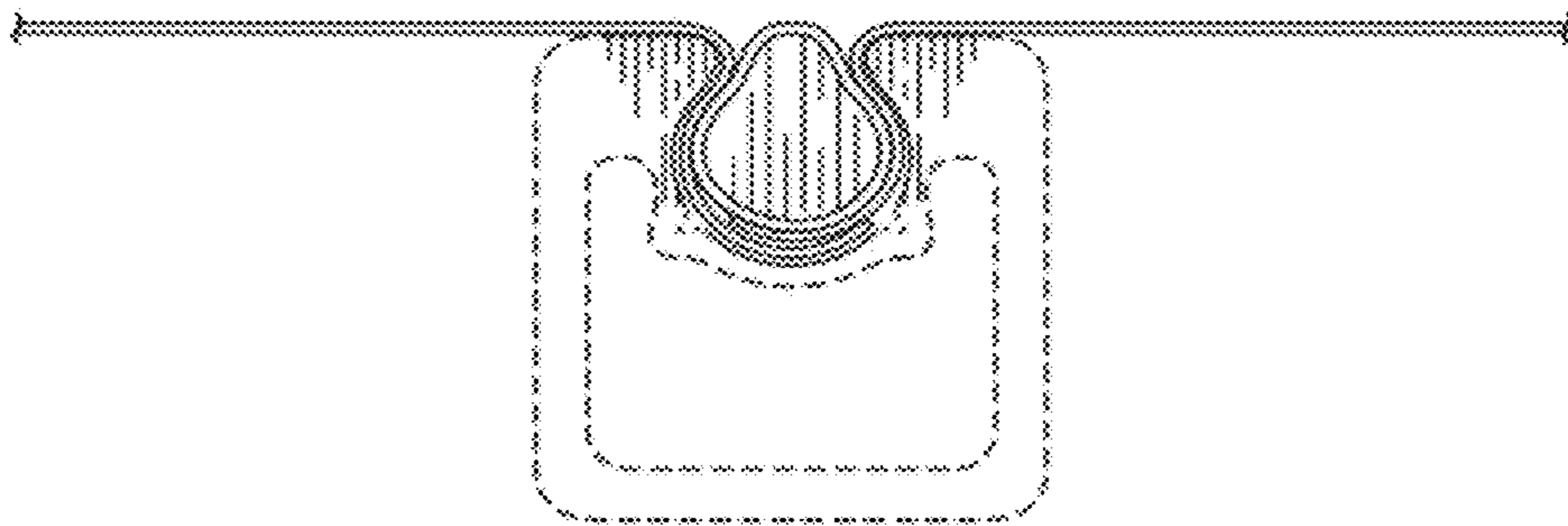


FIG. 2

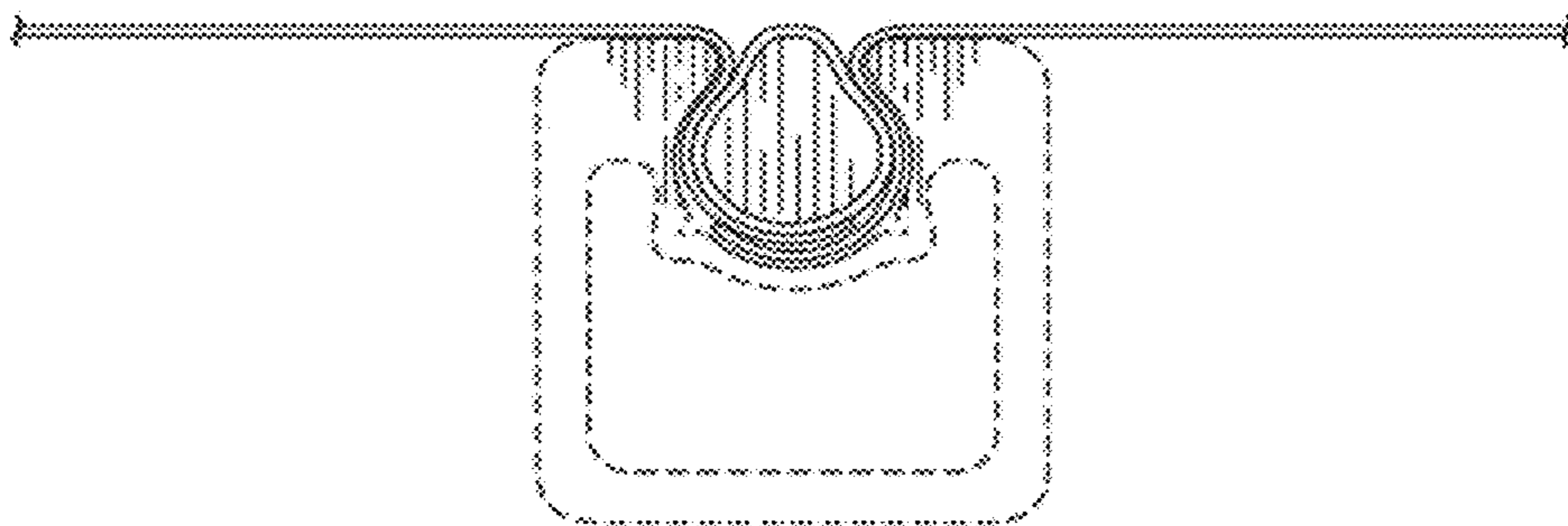
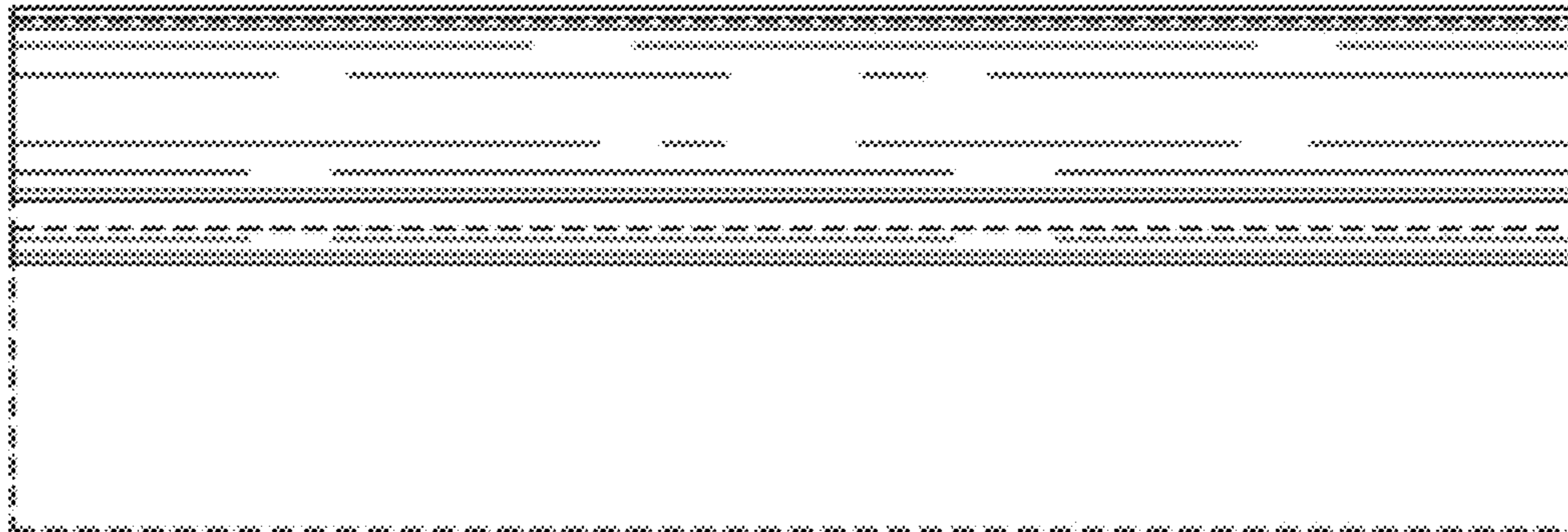
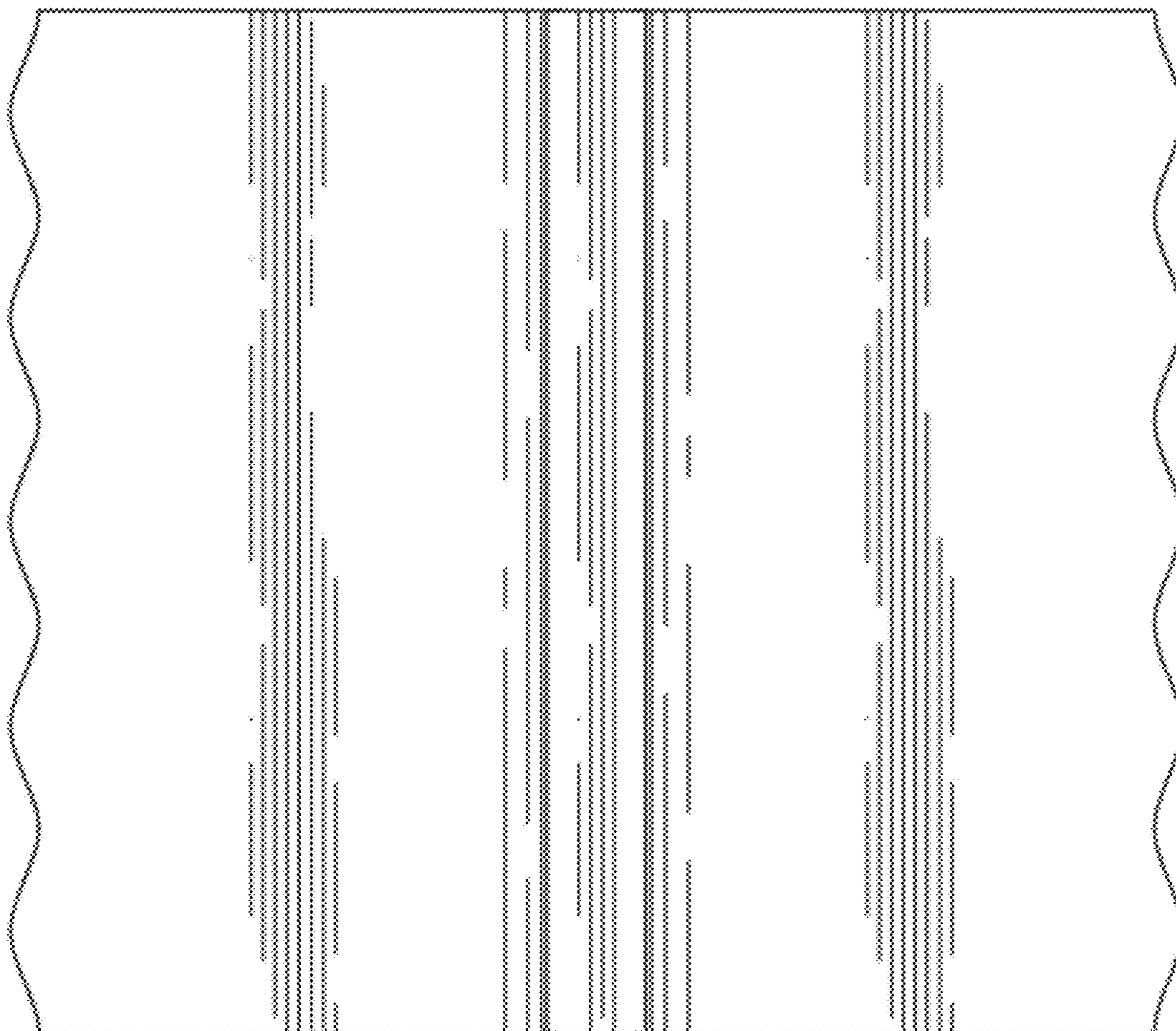


FIG. 3



**FIG. 4**



**FIG. 5**

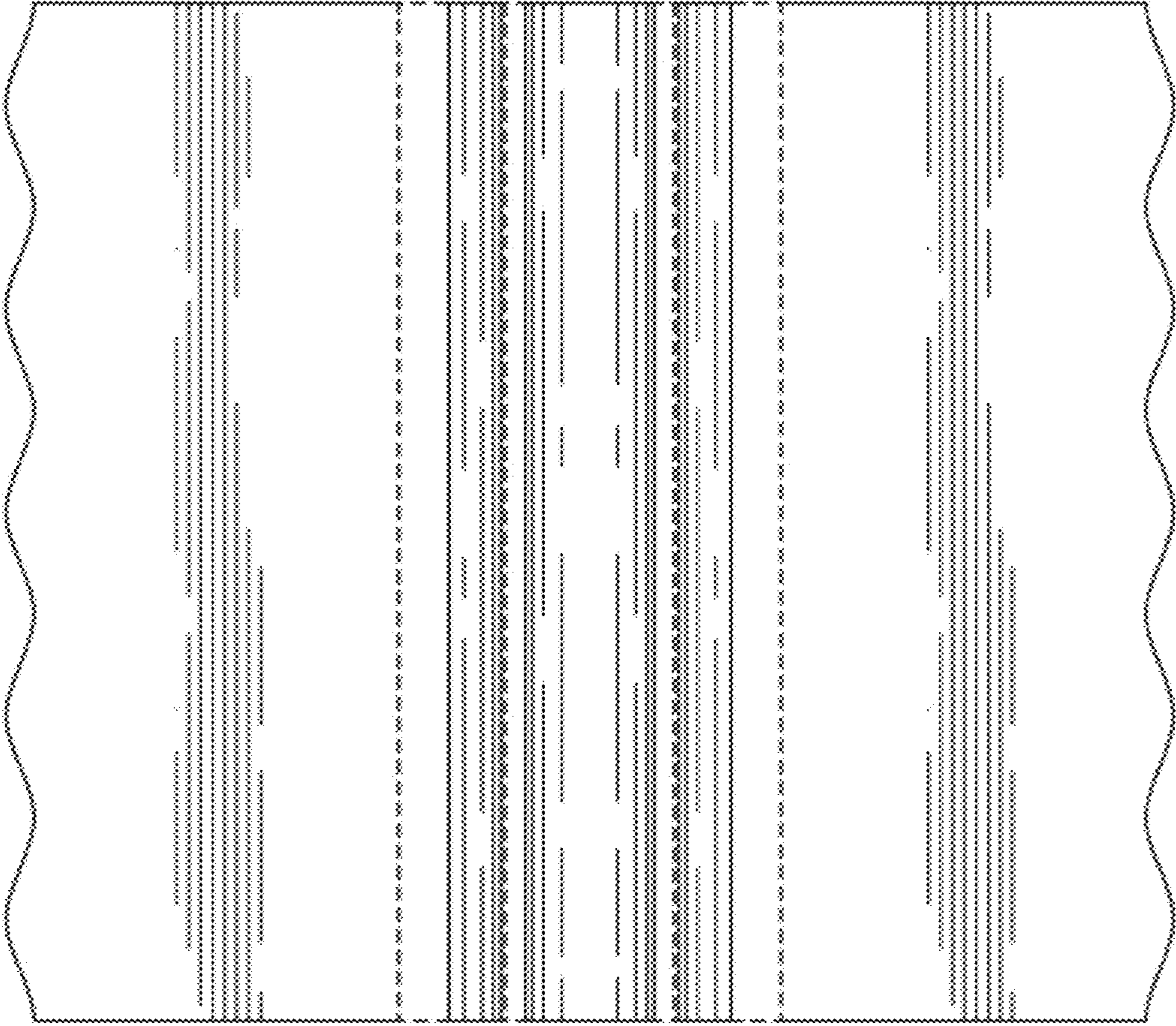


FIG. 6

UNITED STATES PATENT AND TRADEMARK OFFICE  
**CERTIFICATE OF CORRECTION**

PATENT NO. : D660,456 S  
APPLICATION NO. : 29/376807  
DATED : May 22, 2012  
INVENTOR(S) : Kennon Kyle McKinney

Page 1 of 5

It is certified that error appears in the above-identified patent and that said Letters Patent is hereby corrected as shown below:

Replace Title Page with attached Title Page.

In the Drawings

Please delete the present set of drawings sheets 1-3 outlining Figures 1-6 with the attached set of drawing sheets 1-3 outlining Figures 1-6.

Signed and Sealed this  
Eighteenth Day of March, 2014



Michelle K. Lee  
*Deputy Director of the United States Patent and Trademark Office*

(12) **United States Design Patent**  
**McKinney**

(10) **Patent No.:** **US D660,456 S**  
(45) **Date of Patent:** **\*\* May 22, 2012**

(54) **FABRIC AND BEAD COMBINATION FOR AN AWNING**

(76) Inventor: **Kennon Kyle McKinney**, Baytown, TX (US)

(\*\*) Term: **14 Years**

(21) Appl. No.: **29/376,807**

(22) Filed: **Oct. 12, 2010**

**Related U.S. Application Data**

(63) Continuation of application No. 11/434,337, filed on May 15, 2006.

(51) **LOC (9) Cl.** ..... **25-02**

(52) **U.S. Cl.** ..... **D25/57**

(58) **Field of Classification Search** ..... D25/126, D25/55, 57, 61; D8/377; 52/716.6, 718.04, 52/718.01, 731.2, 63, 222, 56, 22, 33, 38, 52/2.19; 160/395, 384, 380, 392, 394, 391, 160/383; 135/119

See application file for complete search history.

(56) **References Cited**

**U.S. PATENT DOCUMENTS**

1,350,027	A *	8/1920	Lane	160/381
2,204,622	A	6/1940	Reid	
2,759,538	A *	8/1956	Long	160/379
2,778,100	A	1/1957	Lipman	
2,835,325	A *	5/1958	Gilbert et al.	160/369
3,143,165	A	8/1964	Lewis et al.	
3,214,314	A	10/1965	Rowbottam et al.	
3,503,101	A *	3/1970	Kolozsvary	24/443

4,107,826	A *	8/1978	Tysdal	24/460
4,370,792	A	2/1983	Watts	
4,716,704	A	1/1988	Murr	
4,926,605	A	5/1990	Milliken et al.	
D309,351	S	7/1990	Patsy, Jr.	
5,044,131	A	9/1991	Fisher	
5,076,033	A	12/1991	Patsy, Jr.	
5,209,029	A	5/1993	Foerst	
D355,587	S *	2/1995	Pozzi	D8/377
5,555,695	A	9/1996	Patsy, Jr.	
5,577,352	A	11/1996	Fisher	
5,732,755	A	3/1998	Cross	
5,794,400	A	8/1998	Fisher et al.	
D412,584	S *	8/1999	Shrira	D25/61
6,279,644	B1	8/2001	Wylie	
D610,708	S *	2/2010	Kramer	D25/57

\* cited by examiner

*Primary Examiner* — Doris Clark

(74) *Attorney, Agent, or Firm* — David W. Carstens: Carstens & Cahoon, LLP

(57) **CLAIM**

The ornamental design for a fabric and bead combination for an awning, as shown and described.

**DESCRIPTION**

FIG. 1 is a perspective view of a fabric and bead combination for an awning, showing my new design.

FIG. 2 is a front end view thereof.

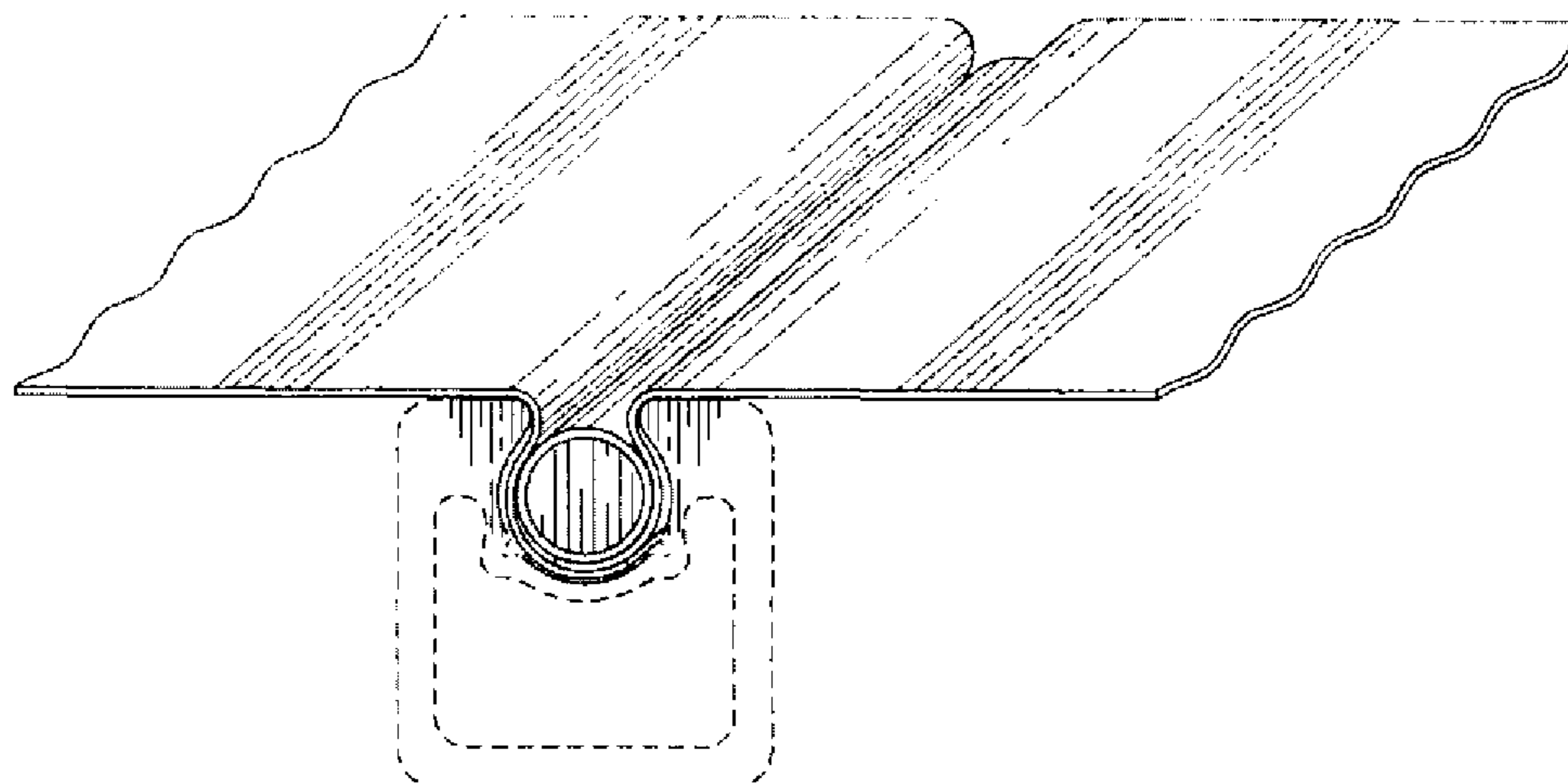
FIG. 3 is a rear end view thereof.

FIG. 4 is a side view thereof.

FIG. 5 is a top view thereof; and,

FIG. 6 is a bottom view thereof.

**1 Claim, 3 Drawing Sheets**



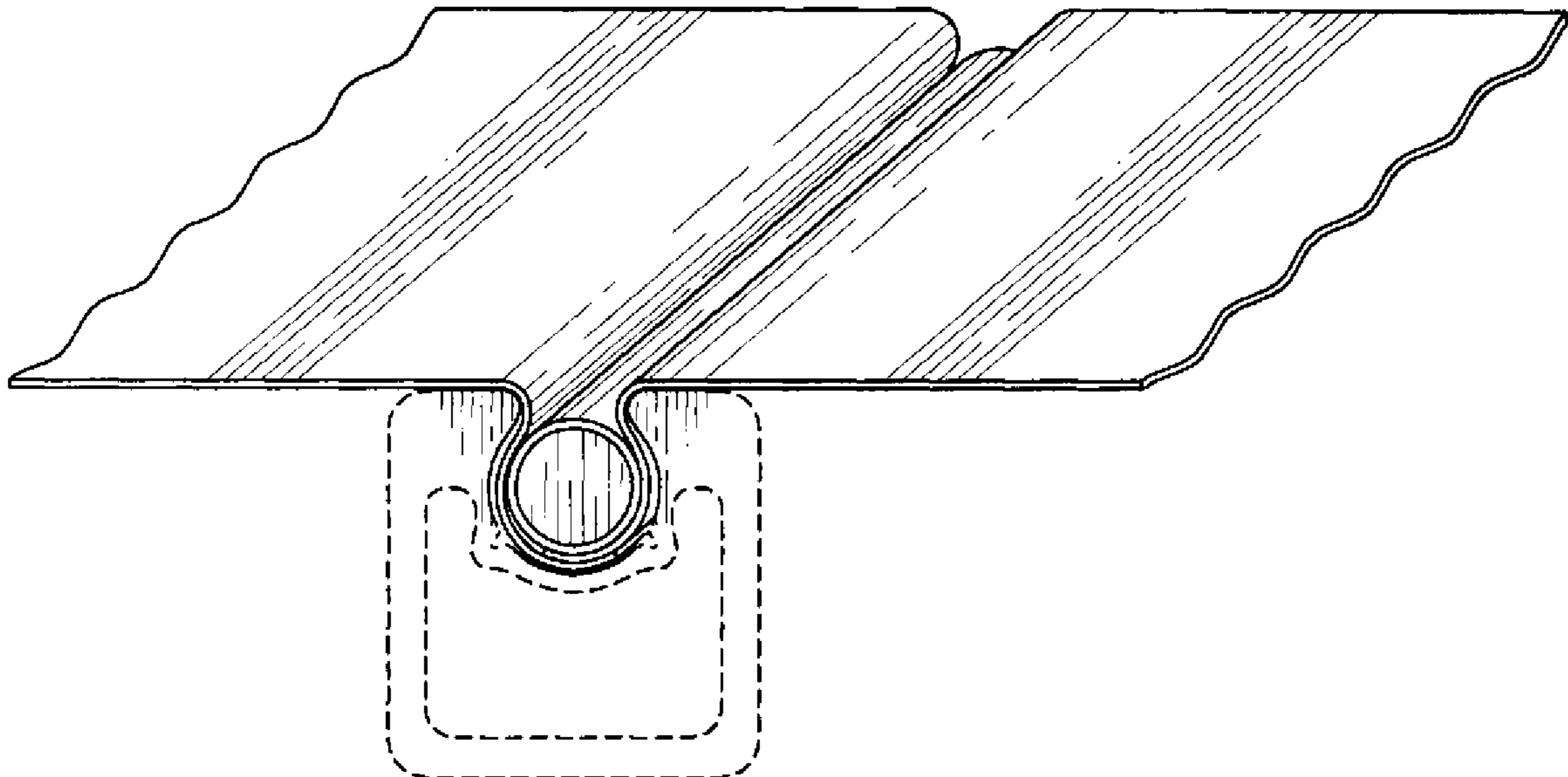


FIG. 1

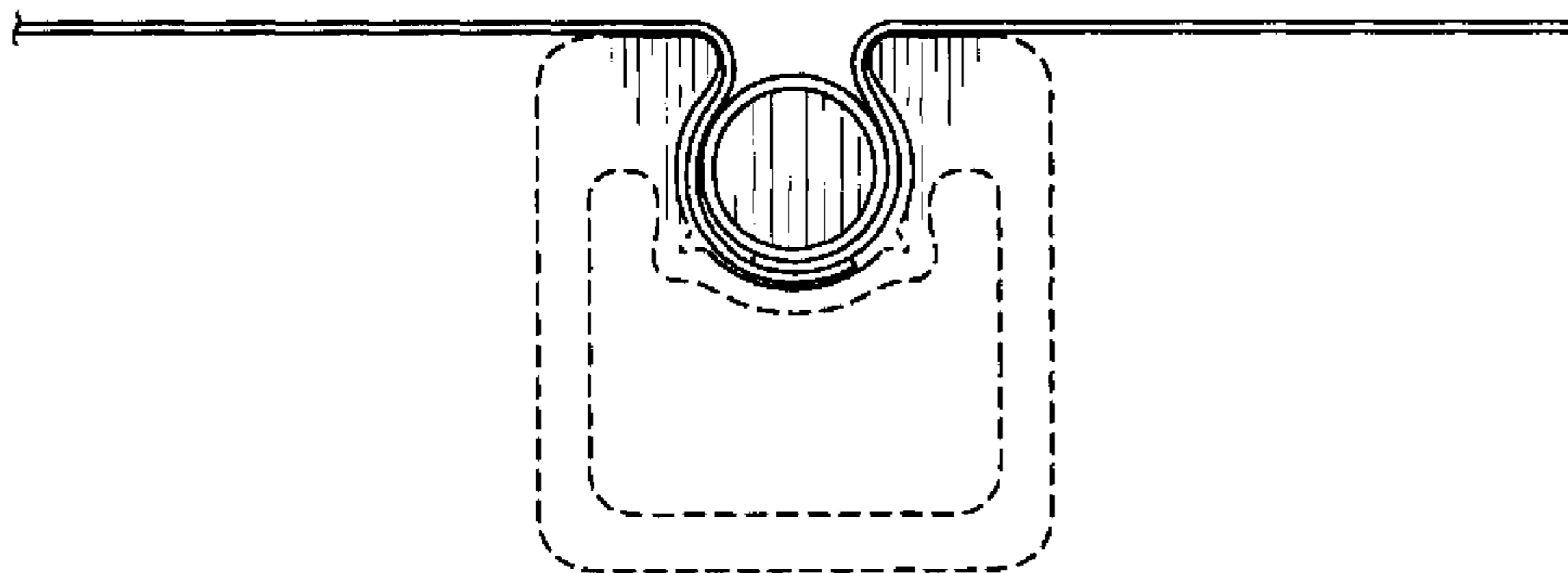


FIG. 2

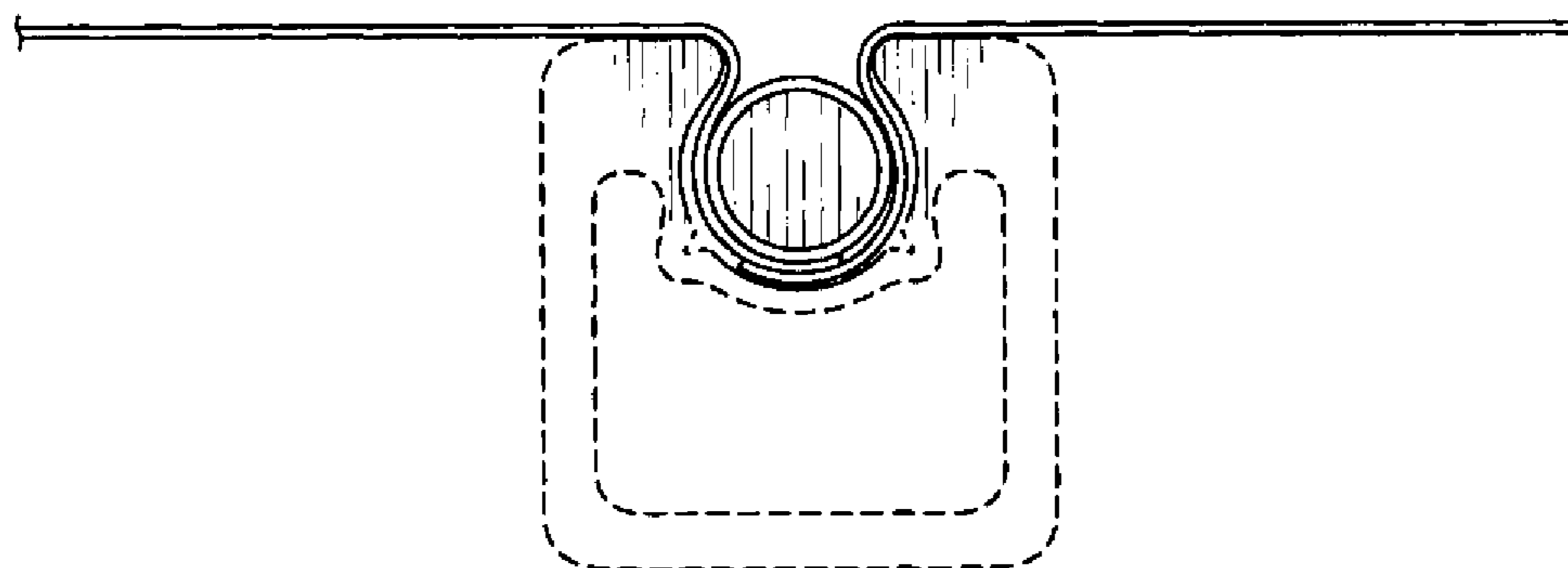
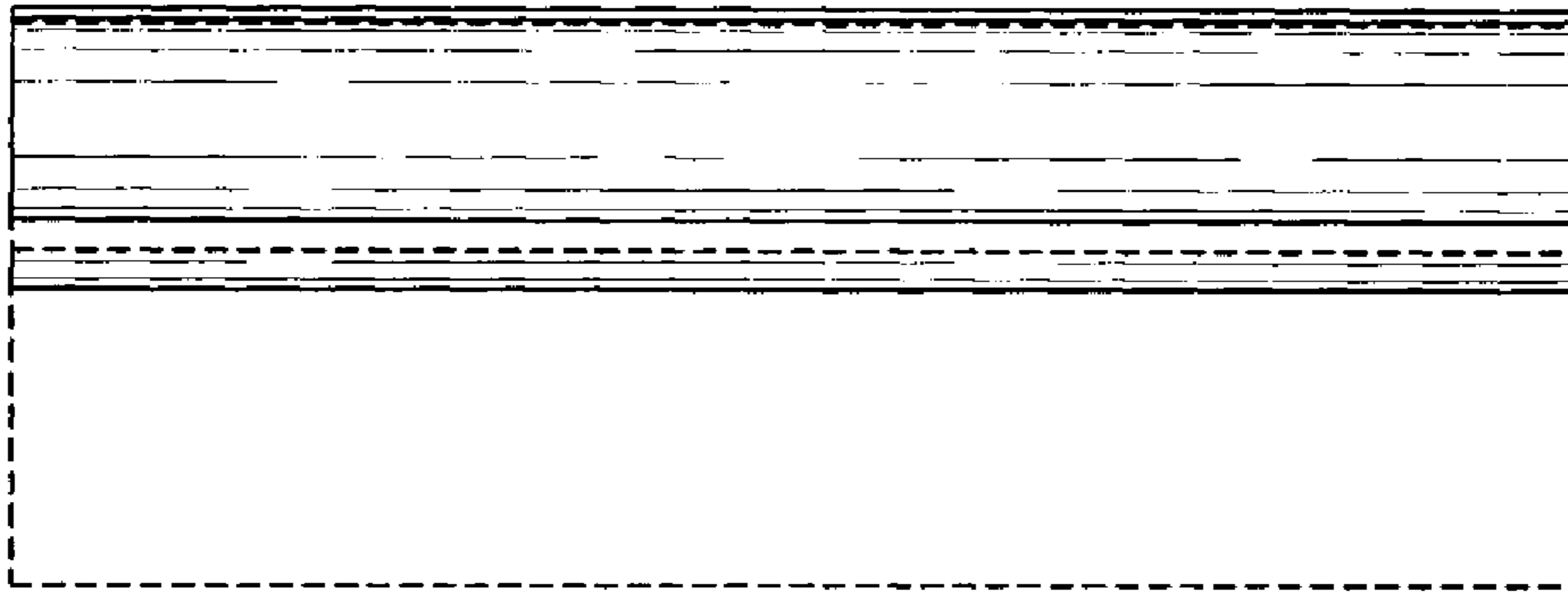
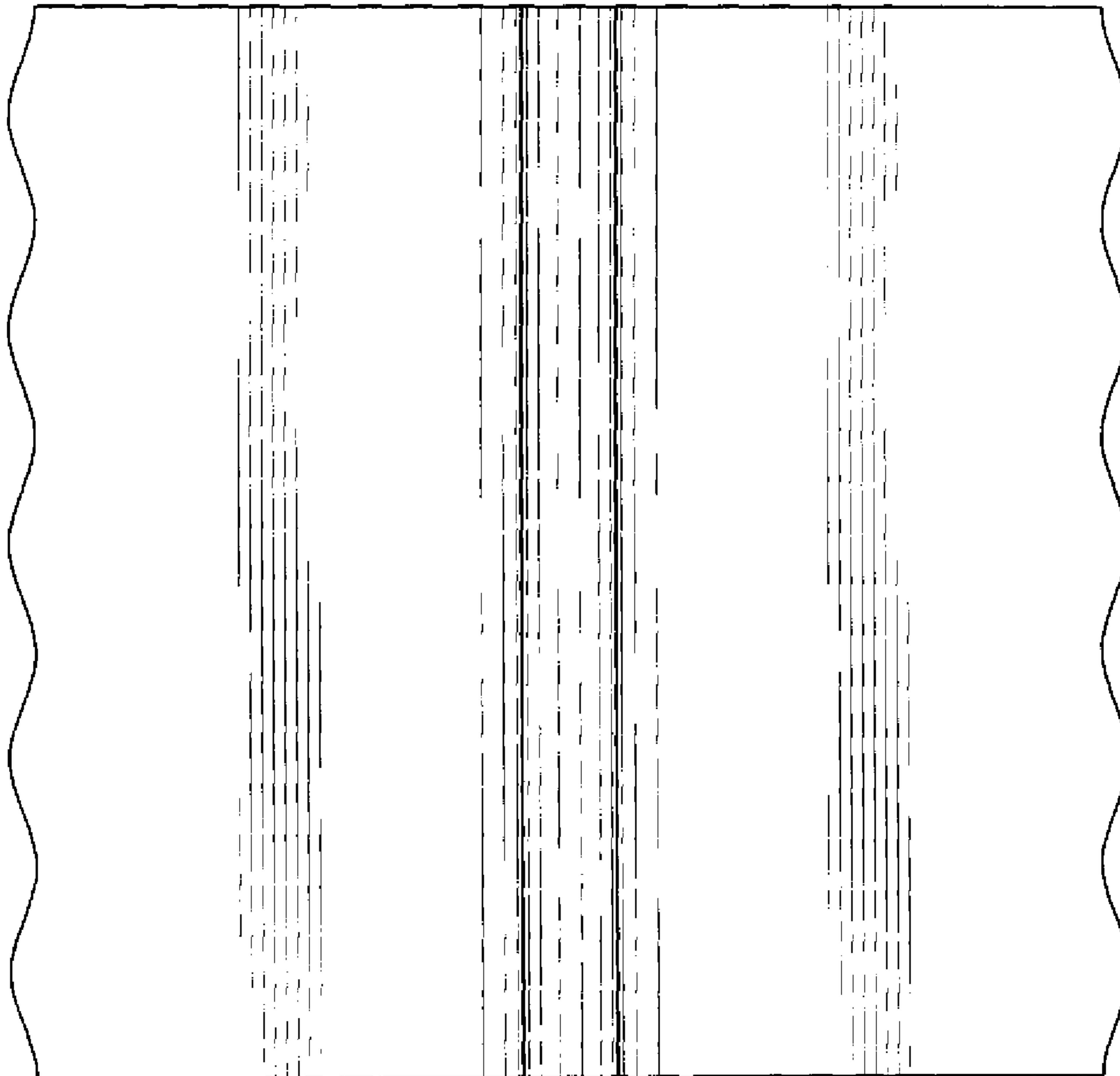


FIG. 3

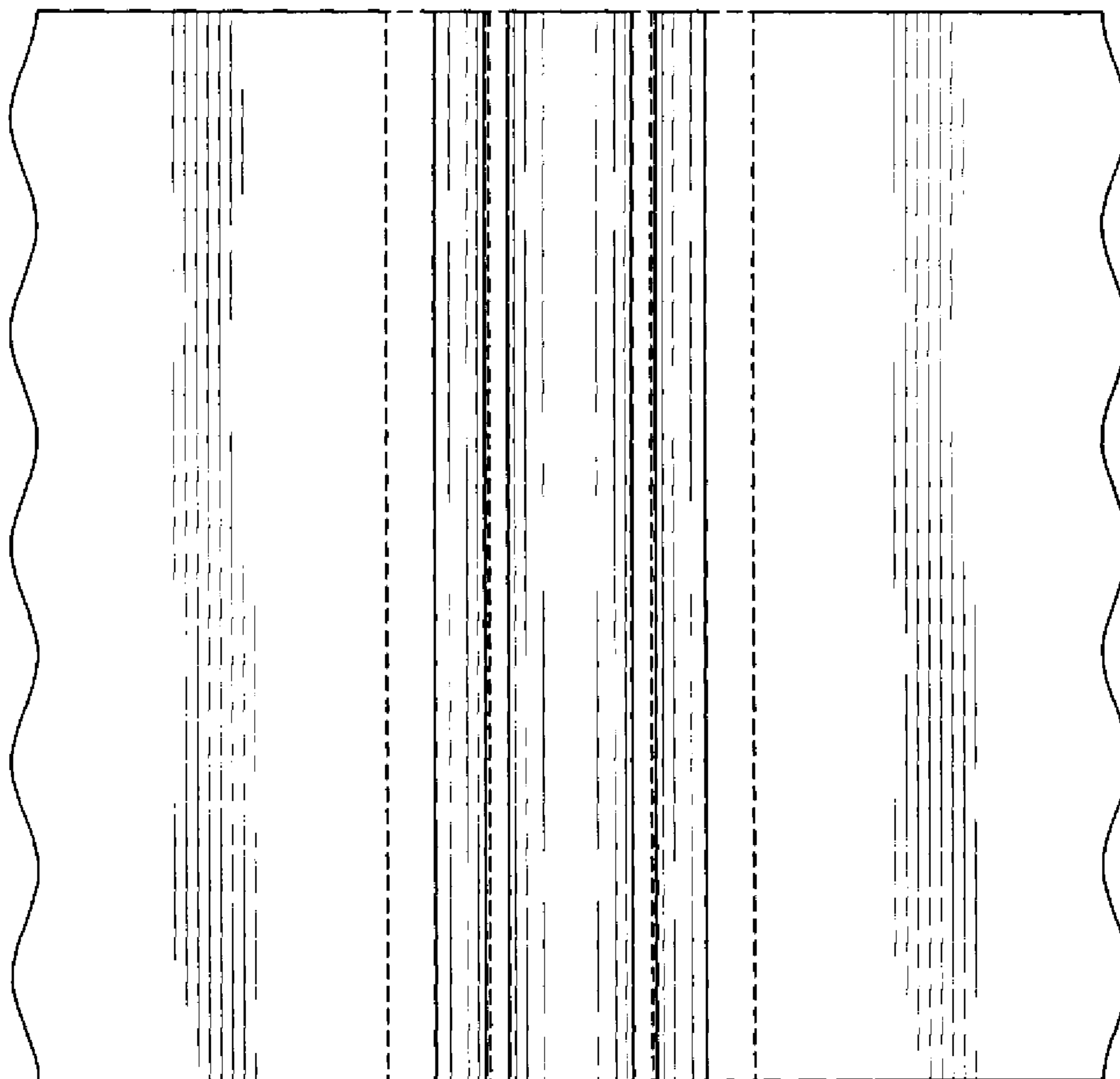


**FIG. 4**



**FIG. 5**





**FIG. 6**