



US00D660455S

(12) **United States Design Patent**
Belue et al.

(10) **Patent No.:** **US D660,455 S**

(45) **Date of Patent:** **** May 22, 2012**

(54) **MANHOLE COVER**

(75) Inventors: **Garth E Belue**, Katy, TX (US); **Thomas D Chapman**, Houston, TX (US)

(73) Assignee: **Pelican Worldwide, Inc.**, Houston, TX (US)

(**) Term: **14 Years**

(21) Appl. No.: **29/402,297**

(22) Filed: **Sep. 22, 2011**

(51) **LOC (9) Cl.** **25-03**

(52) **U.S. Cl.** **D25/36**

(58) **Field of Classification Search** D25/1-33;
D9/435, 454; D21/443; D23/260; 404/25-26;
49/33, 49; 52/19, 20

See application file for complete search history.

(56) **References Cited**

U.S. PATENT DOCUMENTS

| | | | | | | |
|-----------|---|---|---------|----------------|-------|---------|
| 147,438 | A | * | 2/1874 | Sharts | | 404/25 |
| D30,633 | S | * | 4/1899 | Greger | | D25/36 |
| D30,697 | S | * | 5/1899 | Greger | | D25/36 |
| D30,805 | S | * | 5/1899 | Greger | | D25/36 |
| D30,806 | S | * | 5/1899 | Greger | | D25/36 |
| D30,807 | S | * | 5/1899 | Greger | | D25/36 |
| D30,809 | S | * | 5/1899 | Greger | | D25/36 |
| D30,810 | S | * | 5/1899 | Greger | | D25/36 |
| D30,812 | S | * | 5/1899 | Greger | | D25/36 |
| 1,508,285 | A | * | 9/1924 | Leech | | 220/210 |
| 2,156,166 | A | * | 4/1939 | Smith | | 220/243 |
| 2,346,361 | A | * | 4/1944 | Cupido | | 52/21 |
| 3,012,375 | A | * | 12/1961 | Wasserman | | 52/22 |
| D210,826 | S | * | 4/1968 | Kalser et al. | | D23/260 |
| D232,703 | S | * | 9/1974 | Konzi | | D9/424 |
| 4,222,366 | A | * | 9/1980 | Acker | | 126/565 |
| 4,709,723 | A | * | 12/1987 | Sidaway et al. | | 137/584 |
| D301,156 | S | * | 5/1989 | Bullard | | D21/405 |
| 5,484,159 | A | * | 1/1996 | Dean et al. | | 473/588 |
| 5,852,901 | A | * | 12/1998 | Meyers | | 52/20 |

| | | | | | | |
|-----------|----|---|---------|-------------|-------|---------|
| D414,823 | S | * | 10/1999 | Gardner | | D21/443 |
| D428,658 | S | * | 7/2000 | Glab et al. | | D25/36 |
| D428,999 | S | * | 8/2000 | Glab et al. | | D25/36 |
| D485,889 | S | * | 1/2004 | DuBois | | D23/260 |
| 6,994,489 | B1 | * | 2/2006 | Corr | | 404/25 |

(Continued)

Primary Examiner — T. Chase Nelson

Assistant Examiner — Eric Goodman

(74) *Attorney, Agent, or Firm* — The Compton Law Firm;
Scott D. Compton

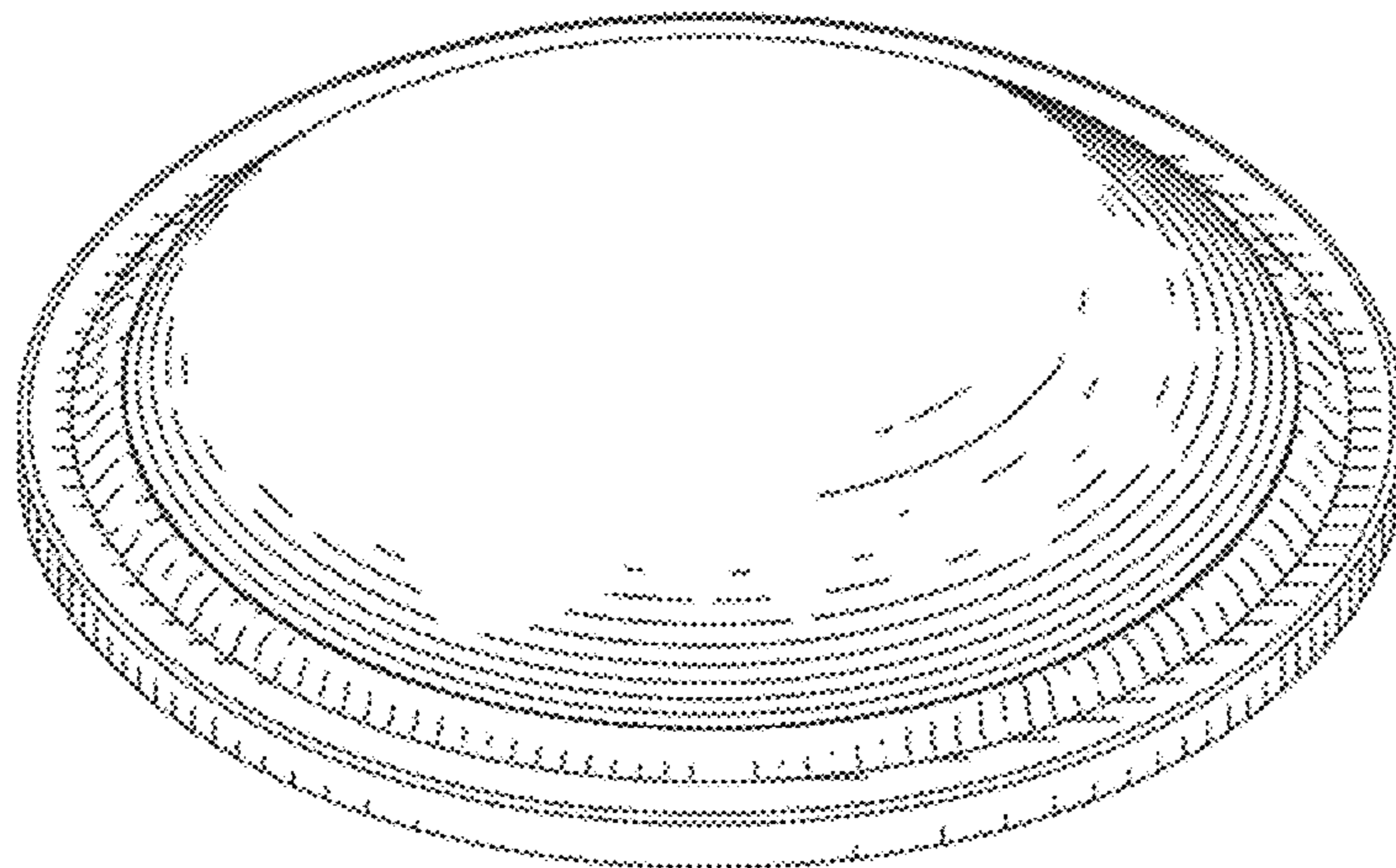
(57) **CLAIM**

The ornamental design for a manhole cover, as shown and described.

DESCRIPTION

FIG. 1 is a top perspective view of a manhole cover showing our new design;
 FIG. 2 is a top view of the same;
 FIG. 3 is a bottom view of the same;
 FIG. 4 is a front view of the same;
 FIG. 5 is a back view of the same;
 FIG. 6 is a right side view of the same;
 FIG. 7 is a left side view of the same;
 FIG. 8 is a front sectional view of the same;
 FIG. 9 is a top perspective view of the same;
 FIG. 10 is a bottom perspective view of the same;
 FIG. 11 is a front sectional view of the same;
 FIG. 12 is a bottom perspective view of the same; and,
 FIG. 13 is top perspective environmental view of the same.
 The broken lines of the various views, namely the handle, eye bolt brackets, and hinge bracket of FIGS. 9, 10, 12 and 13, the channel wall of FIGS. 11 and 12, and the tank container of FIG. 13 are included for the purpose of illustrating environmental structure that forms no part of the claimed design.

1 Claim, 7 Drawing Sheets



US D660,455 S

Page 2

U.S. PATENT DOCUMENTS

| | | | | | | | | | |
|-----------|------|---------|---------------------|---------|--------------|------|---------|-------------------|---------|
| D521,380 | S * | 5/2006 | Jackson et al. | D9/435 | D597,838 | S * | 8/2009 | Stuart | D9/454 |
| D527,428 | S * | 8/2006 | Cooper | D21/443 | D630,944 | S * | 1/2011 | Kawamura | D9/454 |
| 7,096,826 | B2 * | 8/2006 | Markham | 119/707 | D632,959 | S * | 2/2011 | Peters | D9/454 |
| 7,104,722 | B2 * | 9/2006 | LaCroix | 404/25 | 2002/0100225 | A1 * | 8/2002 | Sisk | 52/20 |
| D563,785 | S * | 3/2008 | Maki et al. | D9/454 | 2002/0190068 | A1 * | 12/2002 | Sisk et al. | 220/263 |
| D569,527 | S * | 5/2008 | Rosene et al. | D25/2 | 2005/0244226 | A1 * | 11/2005 | Lacroix | 404/25 |
| D582,050 | S * | 12/2008 | McKinzie | D25/2 | 2008/0050175 | A1 * | 2/2008 | Brady et al. | 404/25 |

* cited by examiner

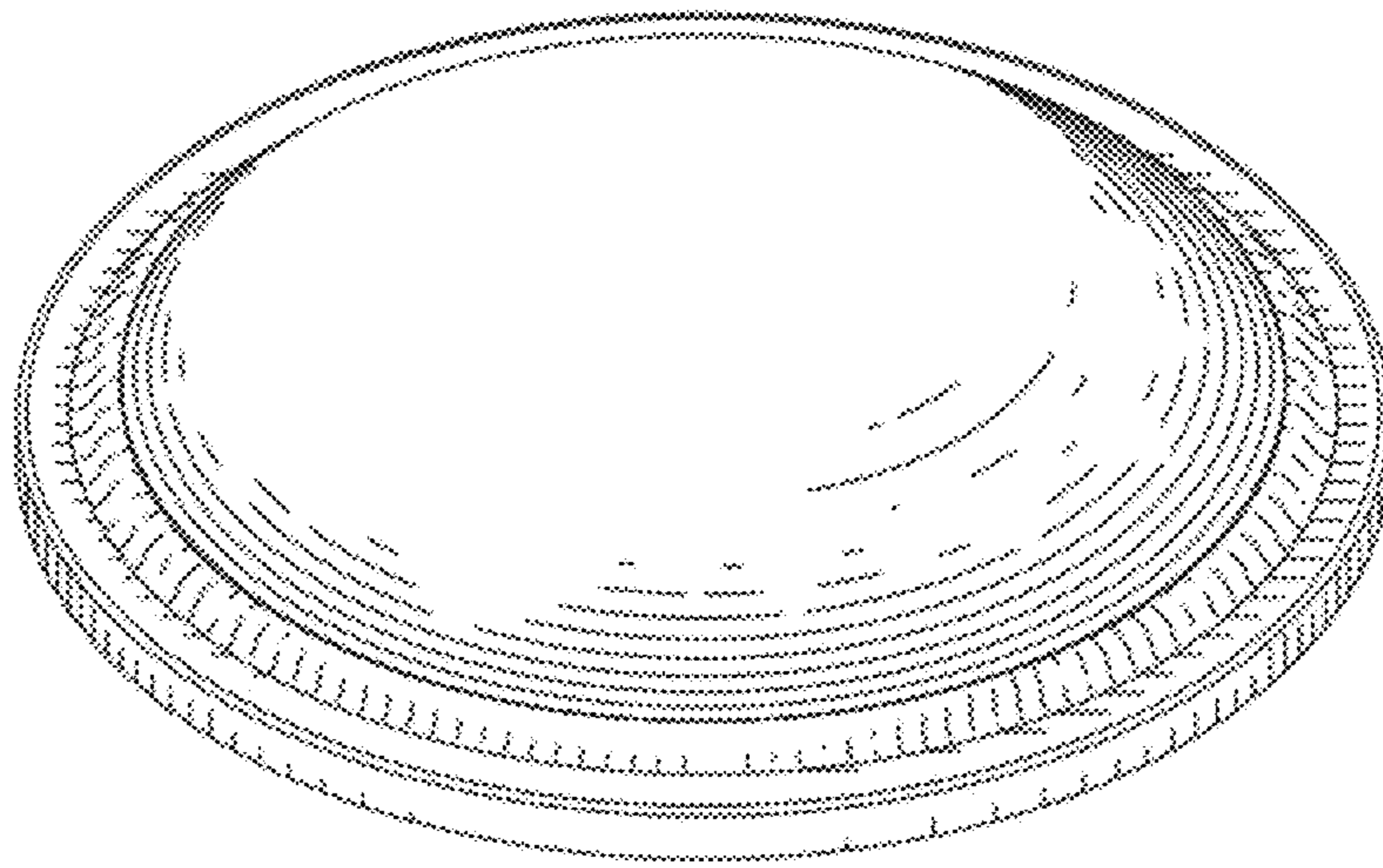


FIG. 1

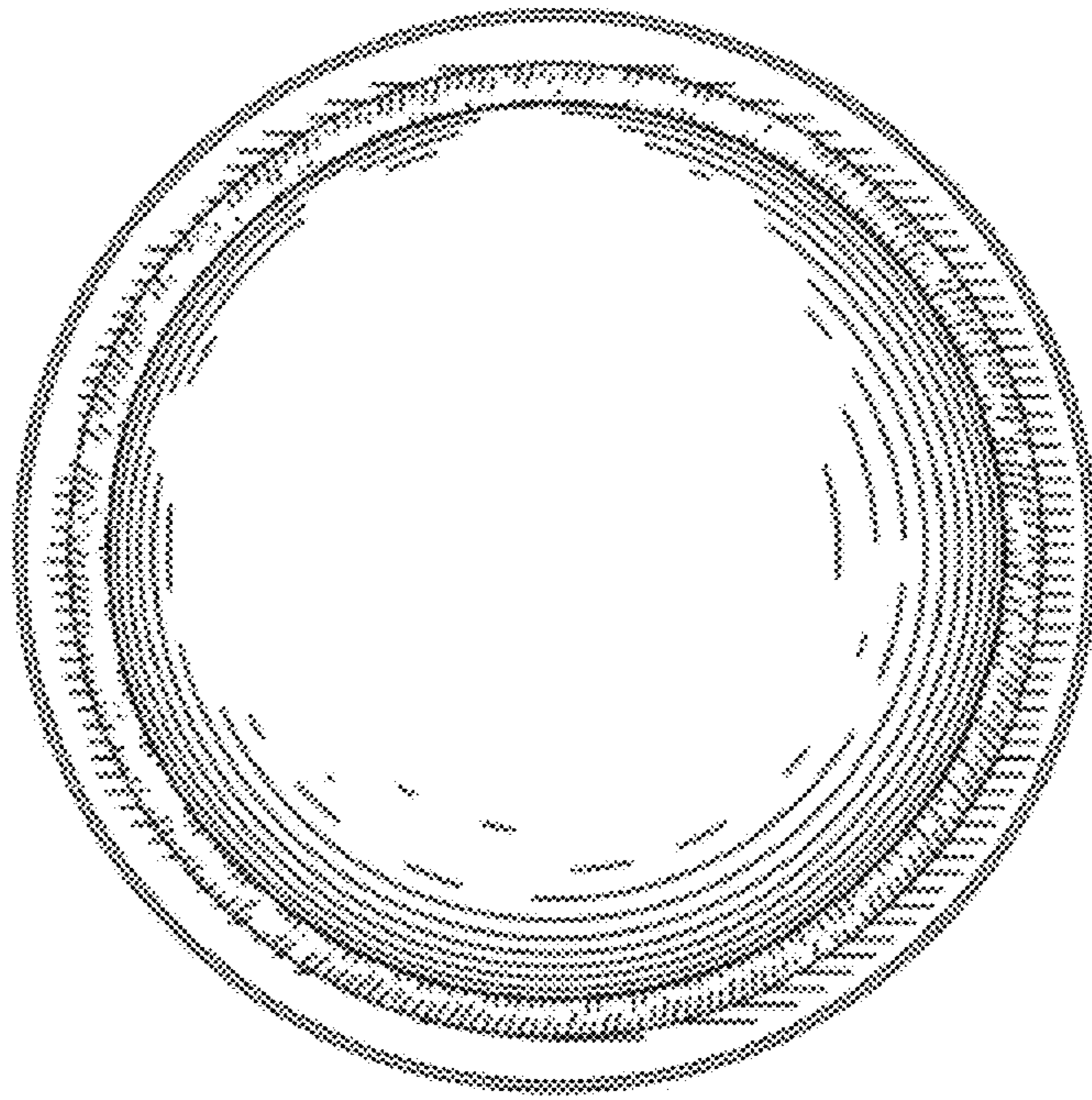


FIG. 2

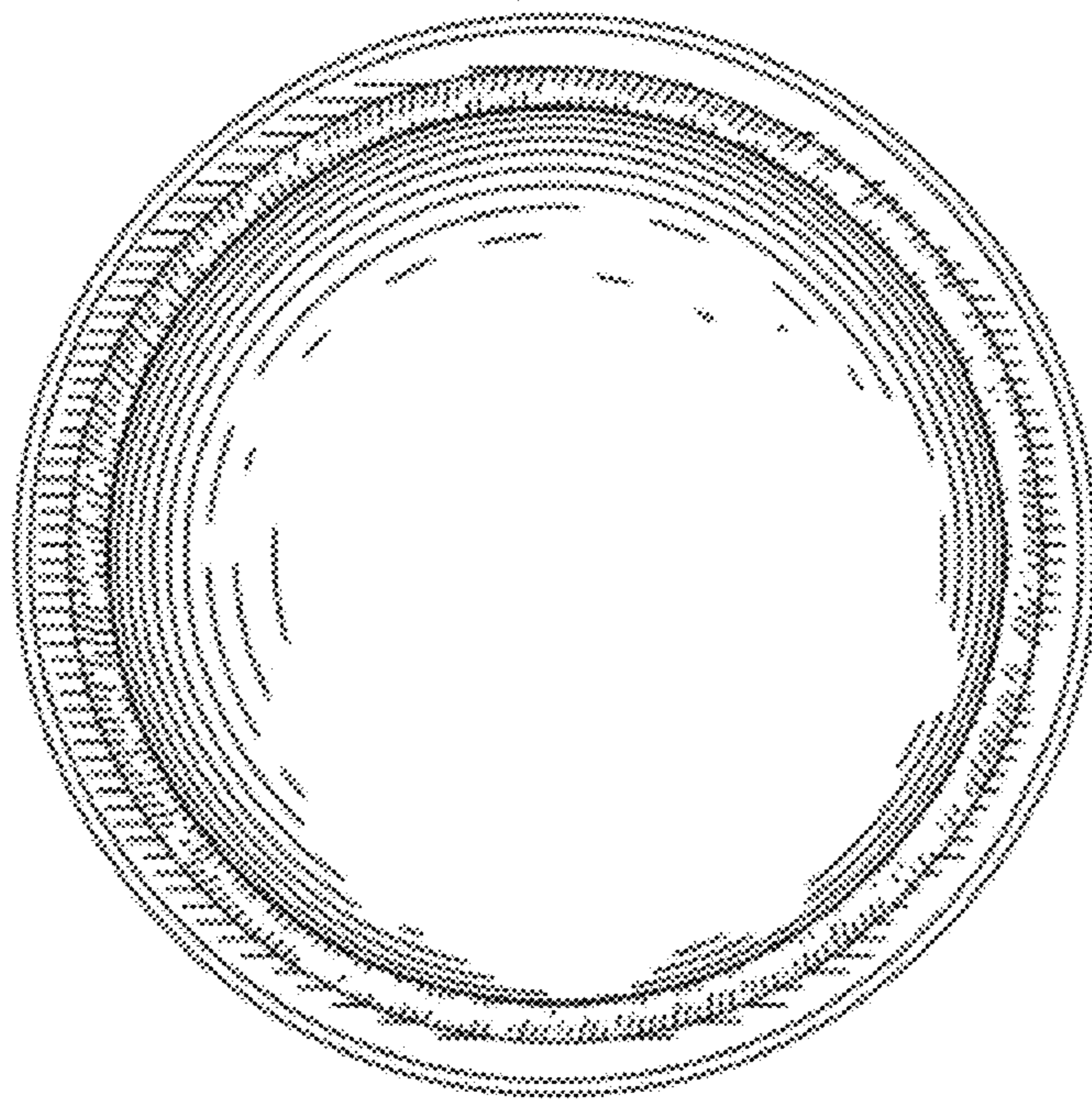


FIG. 3

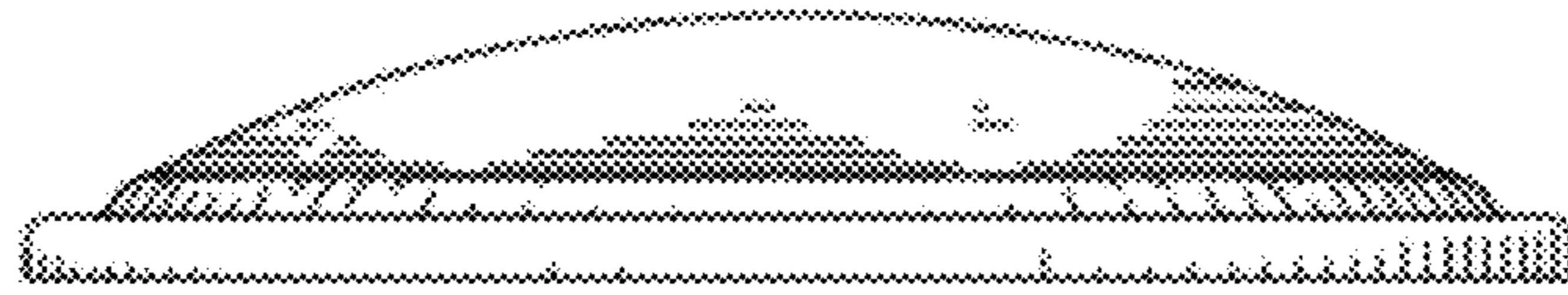


FIG. 4

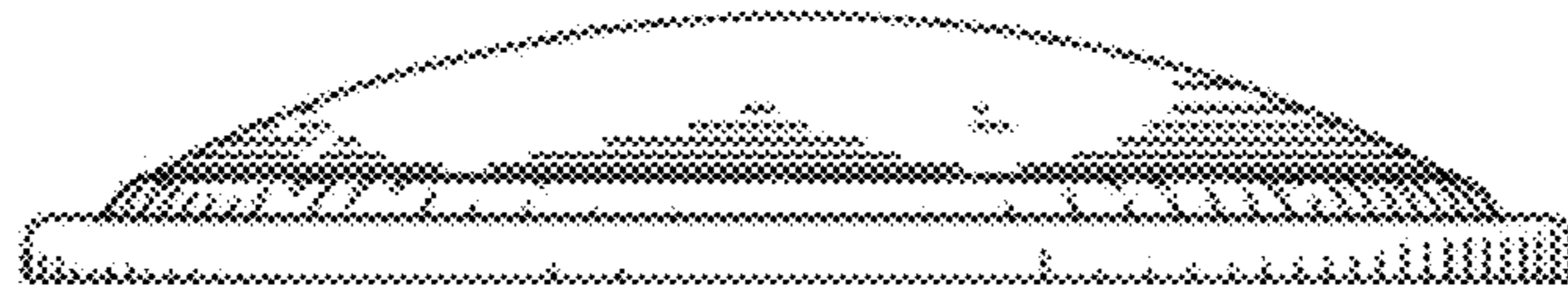


FIG. 5



FIG. 6

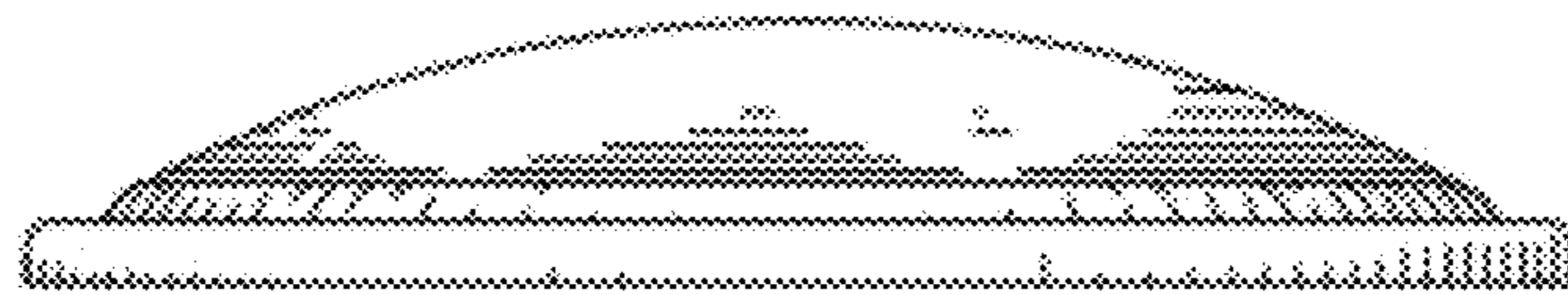


FIG. 7

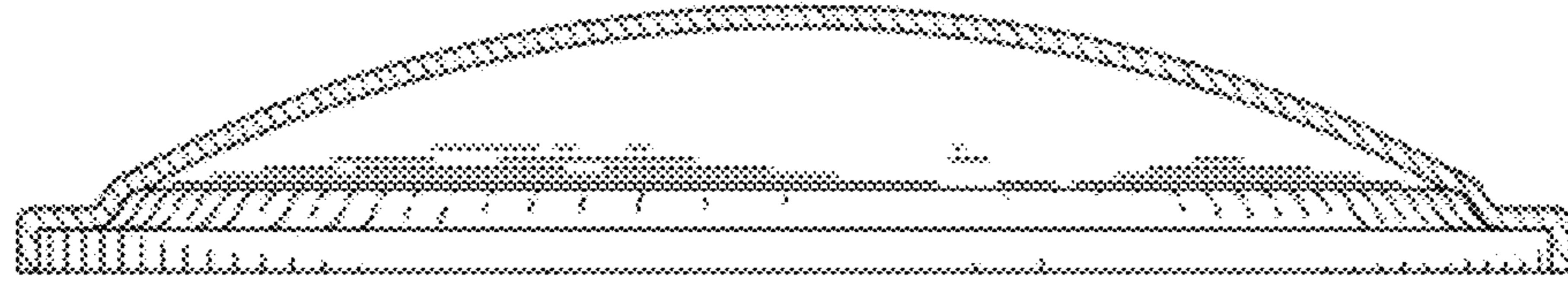


FIG. 8

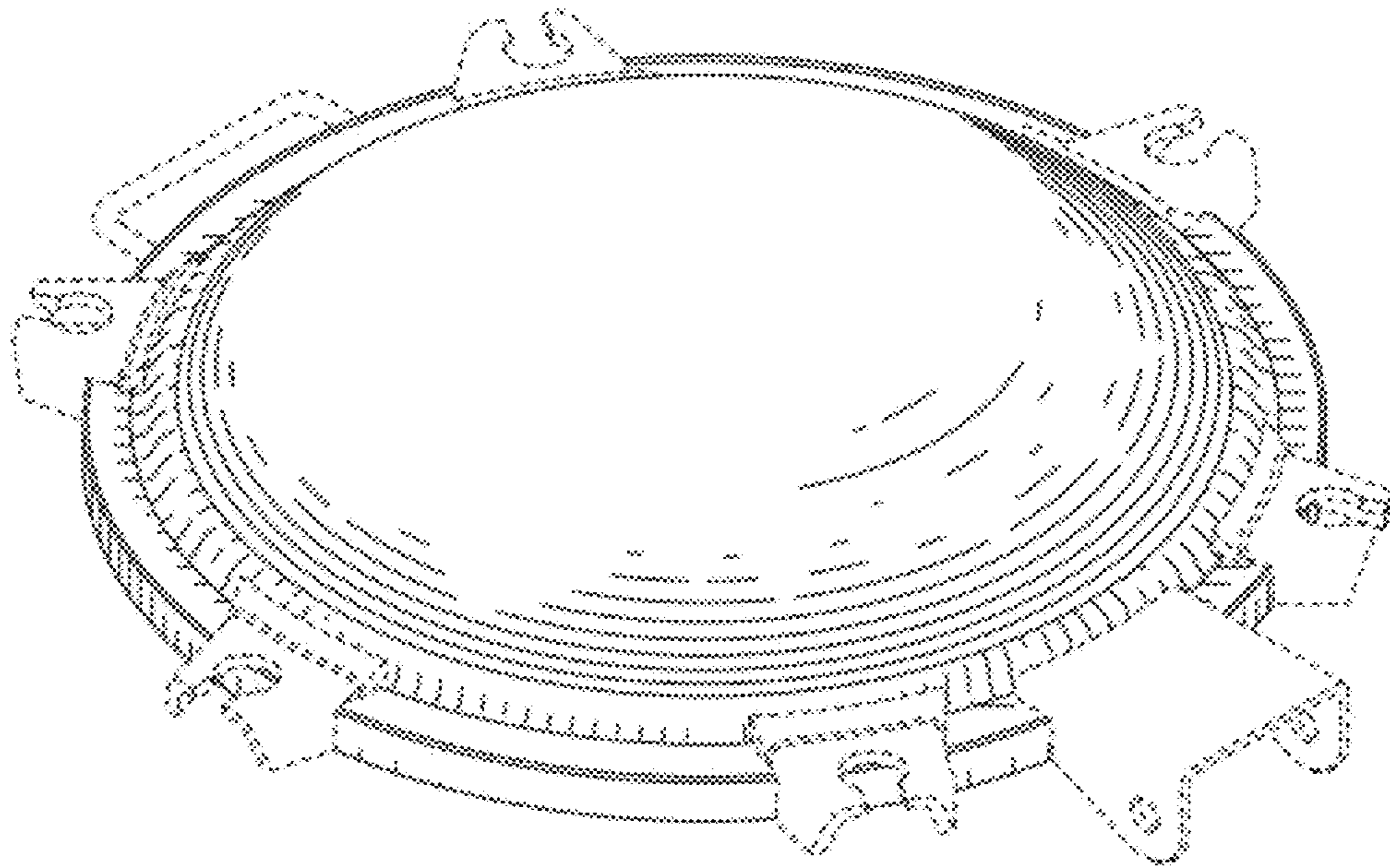


FIG. 9

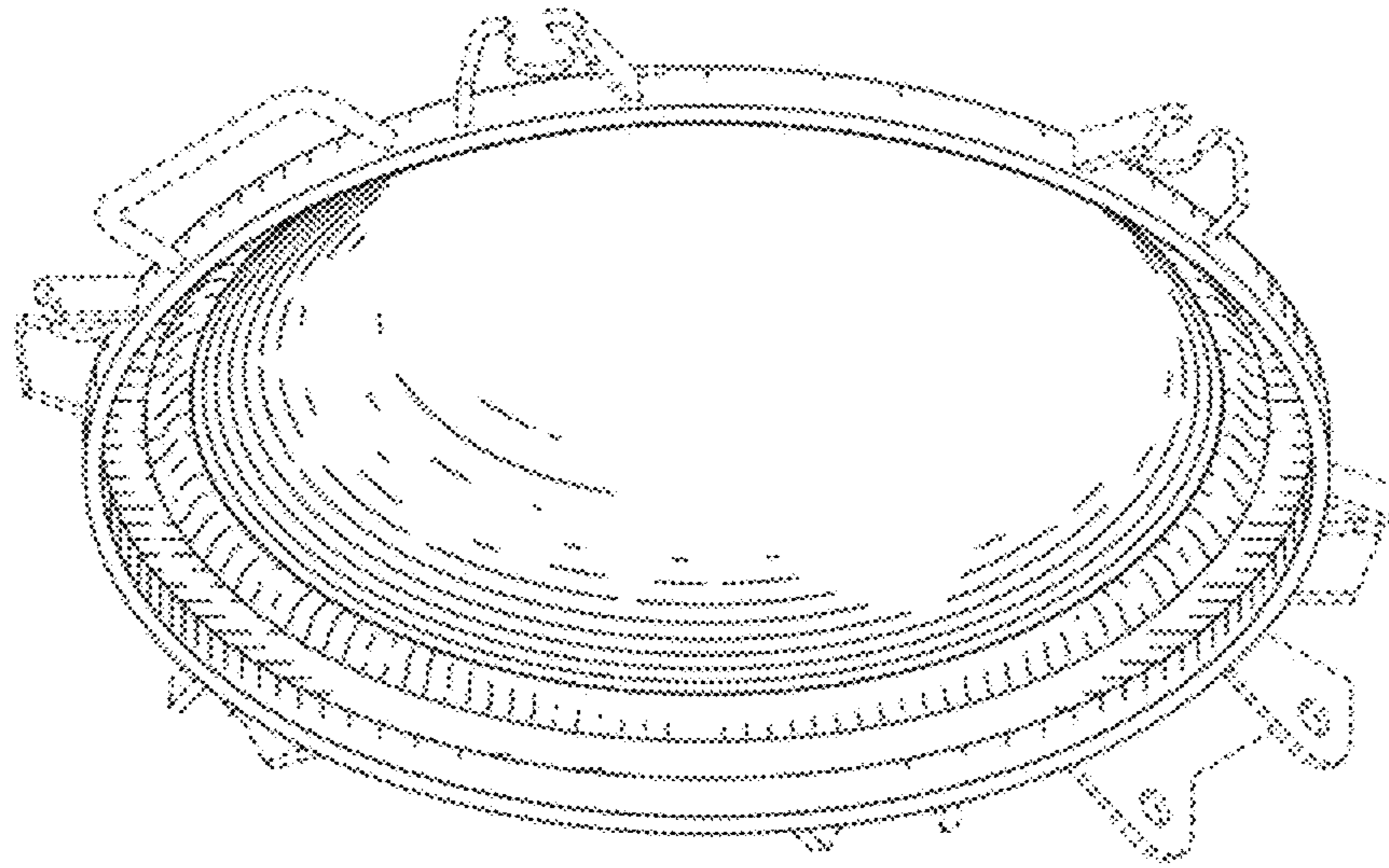


FIG. 10

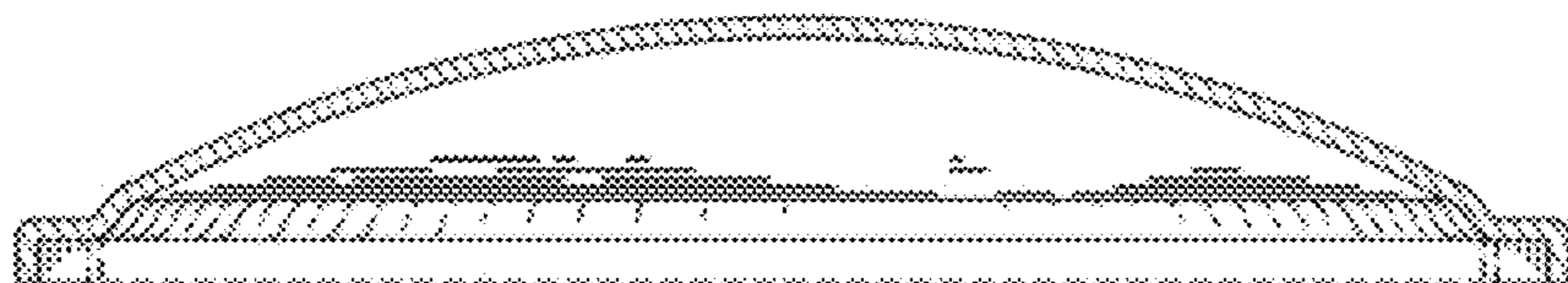


FIG. 11

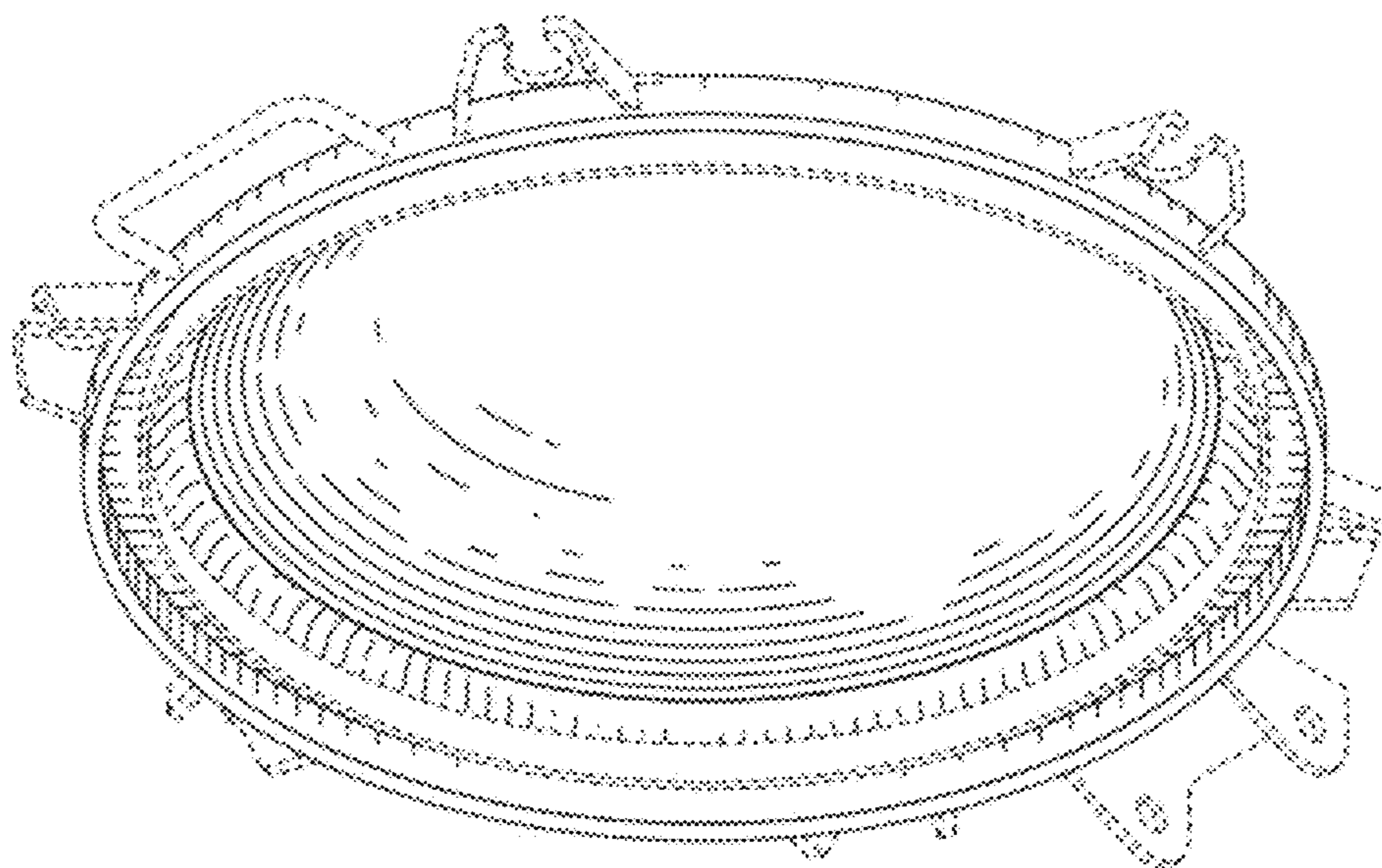


FIG. 12

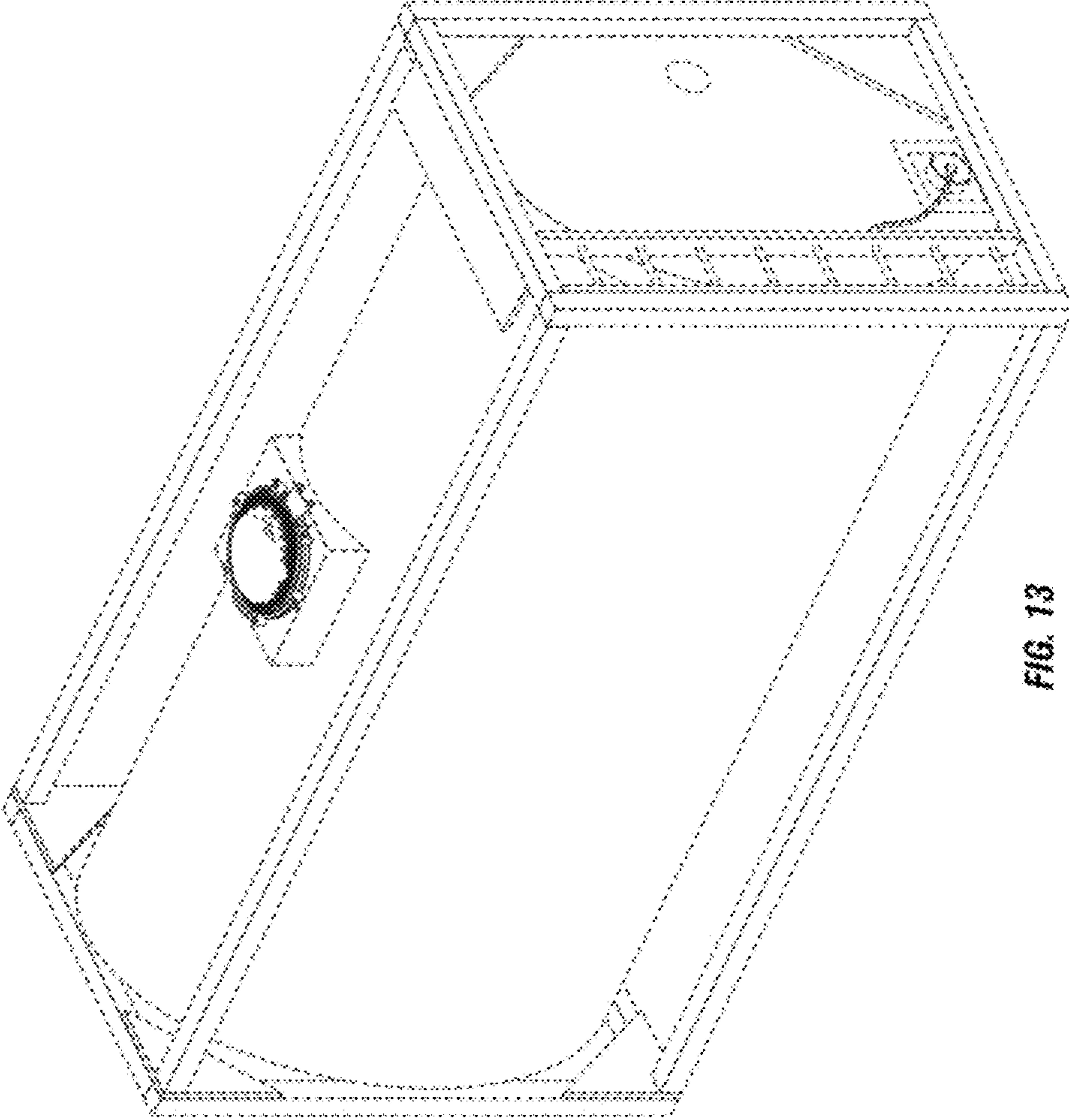


FIG. 13