



US00D660453S

(12) **United States Design Patent**
Jani et al.

(10) **Patent No.:** **US D660,453 S**

(45) **Date of Patent:** **** May 22, 2012**

(54) **CELL AND TISSUE HOMOGENIZER**

(75) Inventors: **Vidhyut Jani**, Mission Viejo, CA (US);
Miodrag Micic, Rancho Santa
Margarita, CA (US); **Jeffrey D. Whyte**,
Brea, CA (US)

(73) Assignee: **MP Biomedicals, LLC**, Santa Ana, CA
(US)

(**) Term: **14 Years**

(21) Appl. No.: **29/390,117**

(22) Filed: **Apr. 20, 2011**

(51) **LOC (9) Cl.** **24-01**

(52) **U.S. Cl.** **D24/220**

(58) **Field of Classification Search** D24/220,
D24/221, 216, 231, 232; D7/372, 376, 377,
D7/378, 386, 679, 682; 366/204, 129, 130,
366/602; 206/219, 220

See application file for complete search history.

(56) **References Cited**

U.S. PATENT DOCUMENTS

D205,416	S	*	8/1966	Gulotta	D24/220
D258,085	S	*	1/1981	Porteous	D24/221
D270,371	S	*	8/1983	Lee et al.	D24/220
D272,088	S	*	1/1984	Simons	D24/220
5,197,483	A	*	3/1993	Rogalsky et al.	600/562
D364,249	S	*	11/1995	Cannata-Nowell	D24/220
D404,829	S	*	1/1999	Chomka et al.	D24/220
D511,067	S	*	11/2005	Johansson	D7/377
D569,988	S	*	5/2008	Koop	D24/220

OTHER PUBLICATIONS

BioSpec Products—Mini-Beadbeater-96, http://www.biospec.com/product/37/mini_beater/; 4 pages, Apr. 7, 2009.

2010 Geno/Grinder®, 1 page, Aug. 28, 2009.

Precellys® 24 Tissue Homogenizer—Krackeler Scientific Inc.;
<http://www.krackeler.com/products/1195-Homogenizers/25290-Precellys24-Tissue-Homogenizer.htm>; 2 pages, Sep. 16, 2010.

Retsch Solutions in Milling & Sieving; Sample Preparation & Quality Control; 36 pages, Oct. 27, 2008.

* cited by examiner

Primary Examiner — Anhdao Doan

(74) *Attorney, Agent, or Firm* — Knobbe Martens Olson & Bear LLP

(57) **CLAIM**

The ornamental design for a cell and tissue homogenizer, as shown and described.

DESCRIPTION

FIG. 1 is a front perspective view of a cell and tissue homogenizer of the present invention;

FIG. 2 is a rear perspective view of the cell and tissue homogenizer;

FIG. 3 is a front elevational view of the cell and tissue homogenizer of FIG. 1;

FIG. 4 is a rear elevational view of the cell and tissue homogenizer of FIG. 1;

FIG. 5 is a left side elevational view of the cell and tissue homogenizer of FIG. 1;

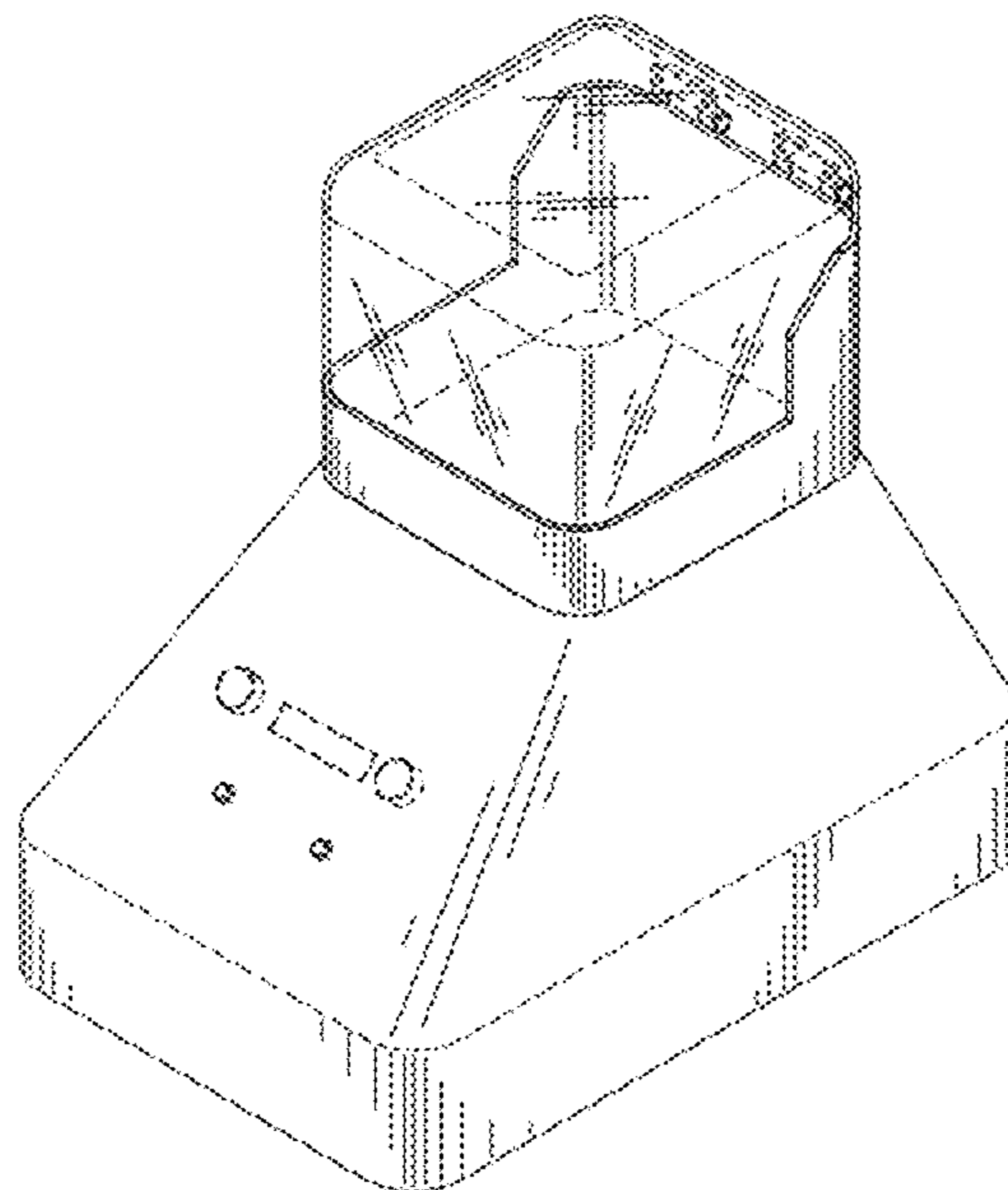
FIG. 6 is a right side elevational view of the cell and tissue homogenizer of FIG. 1;

FIG. 7 is a top plan view of the cell and tissue homogenizer of FIG. 1; and,

FIG. 8 is a bottom plan view of the cell and tissue homogenizer of FIG. 1.

The broken lines in the drawing views are included for the purpose of illustrating portions of the cell and tissue homogenizer that form no part of the claimed design.

1 Claim, 7 Drawing Sheets



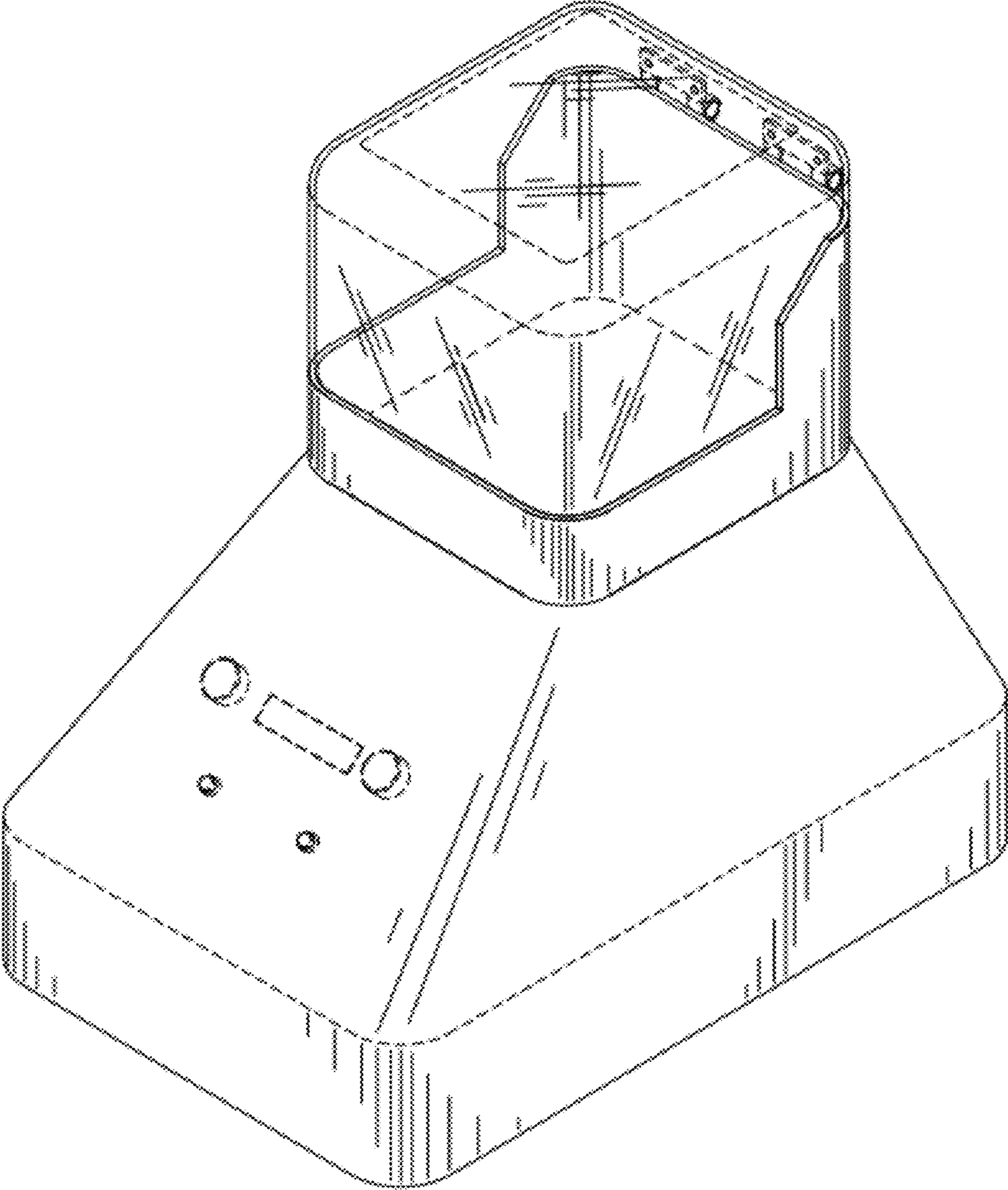


FIG. 1

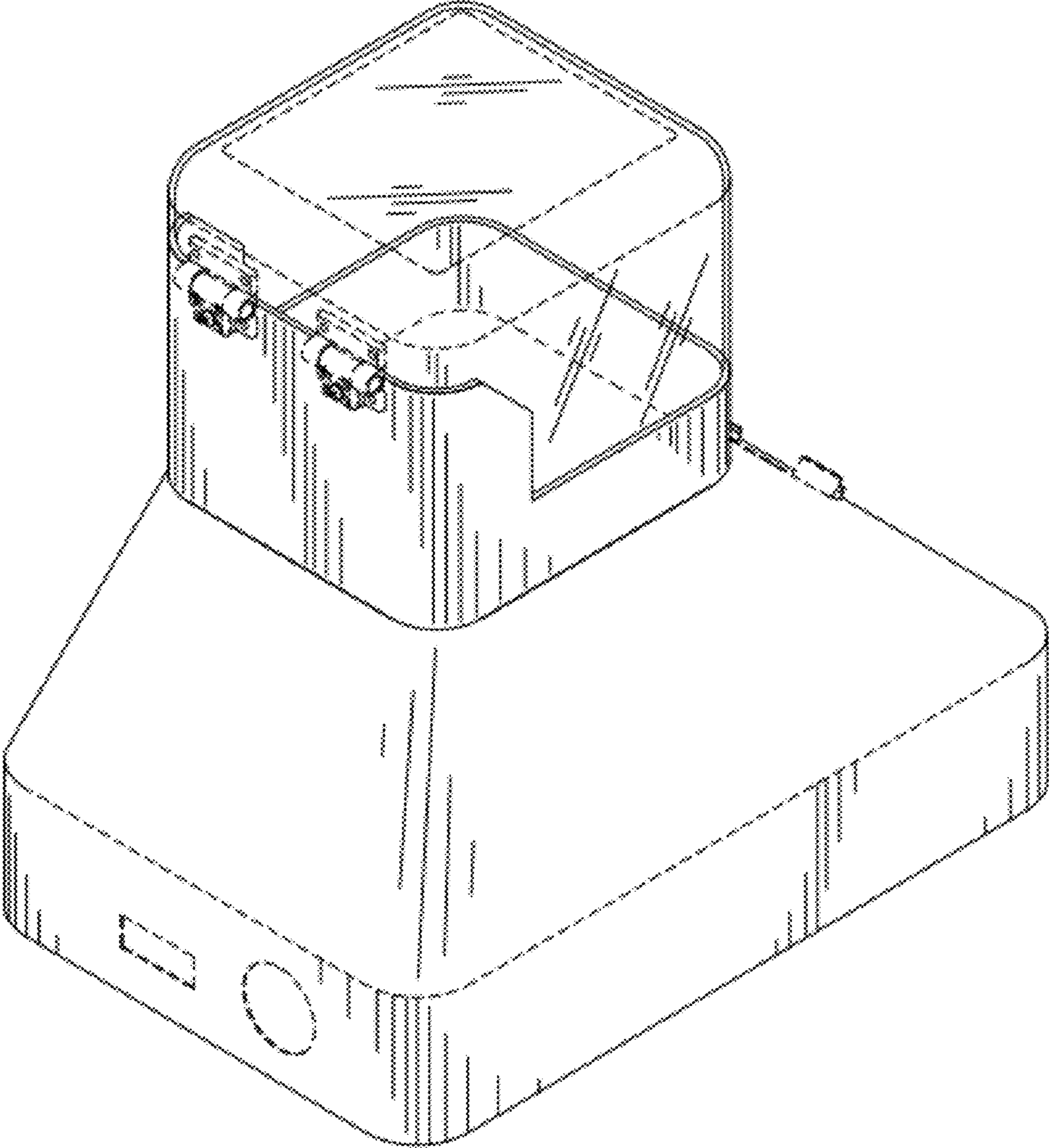


FIG. 2

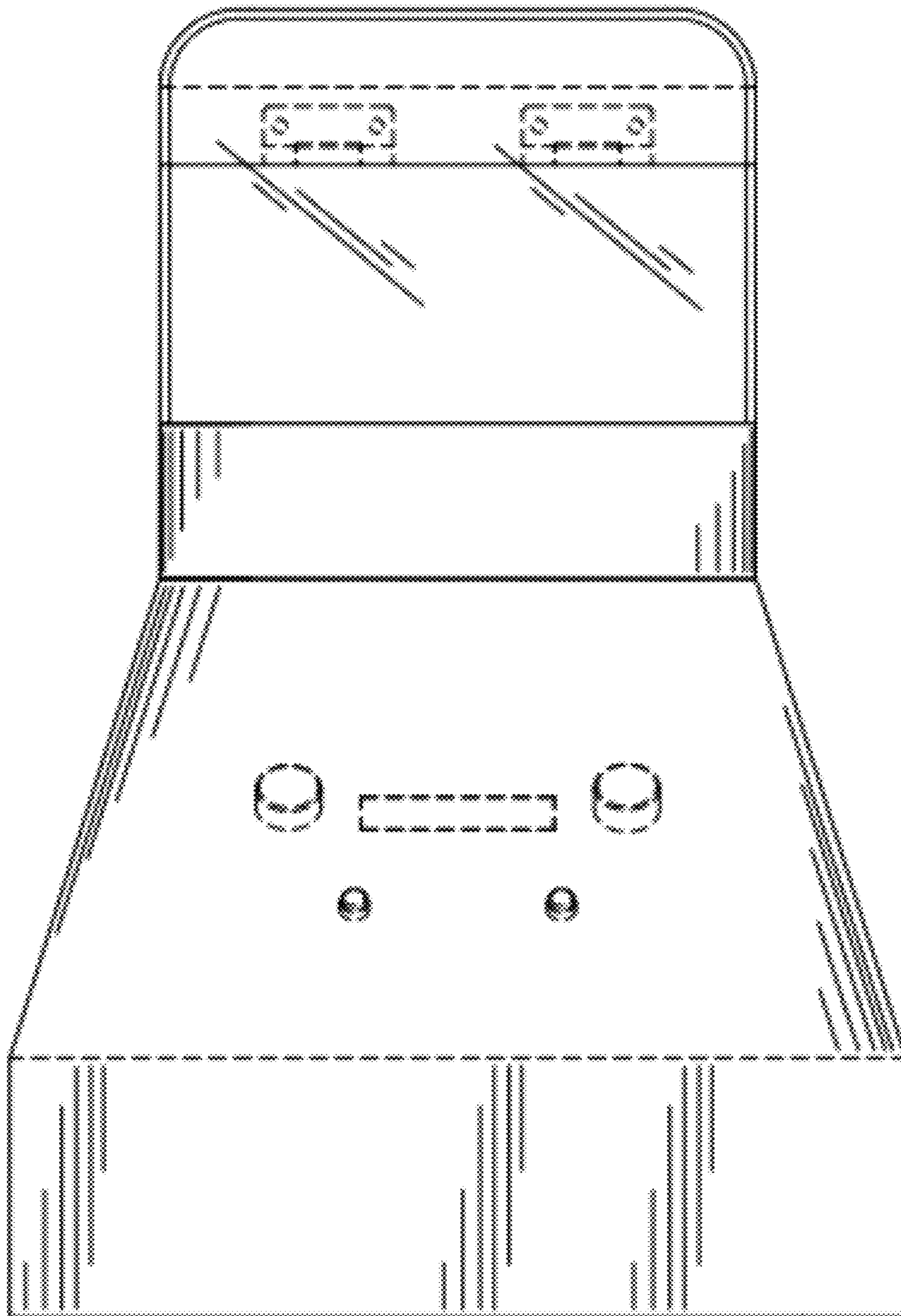


FIG. 3

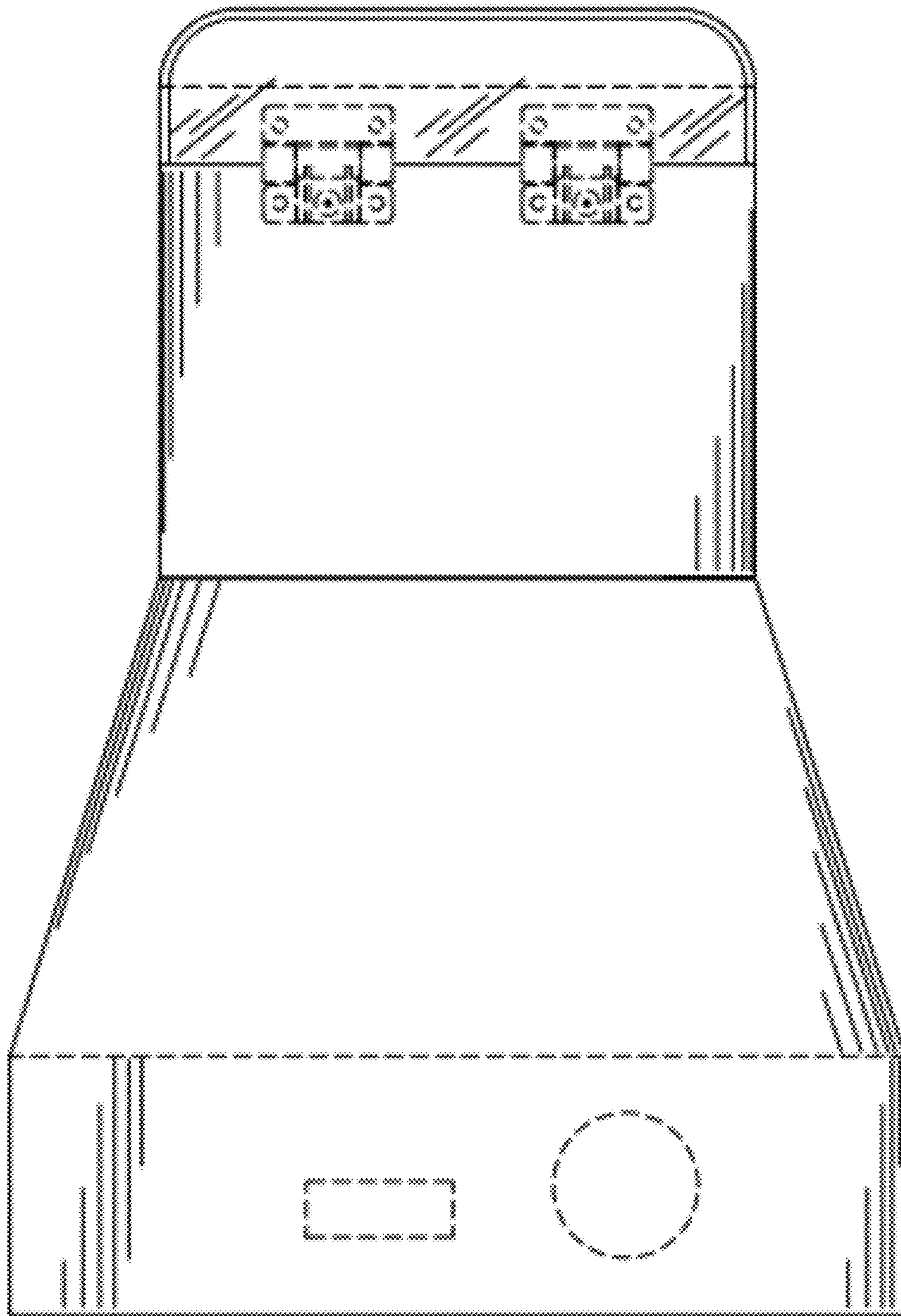


FIG. 4

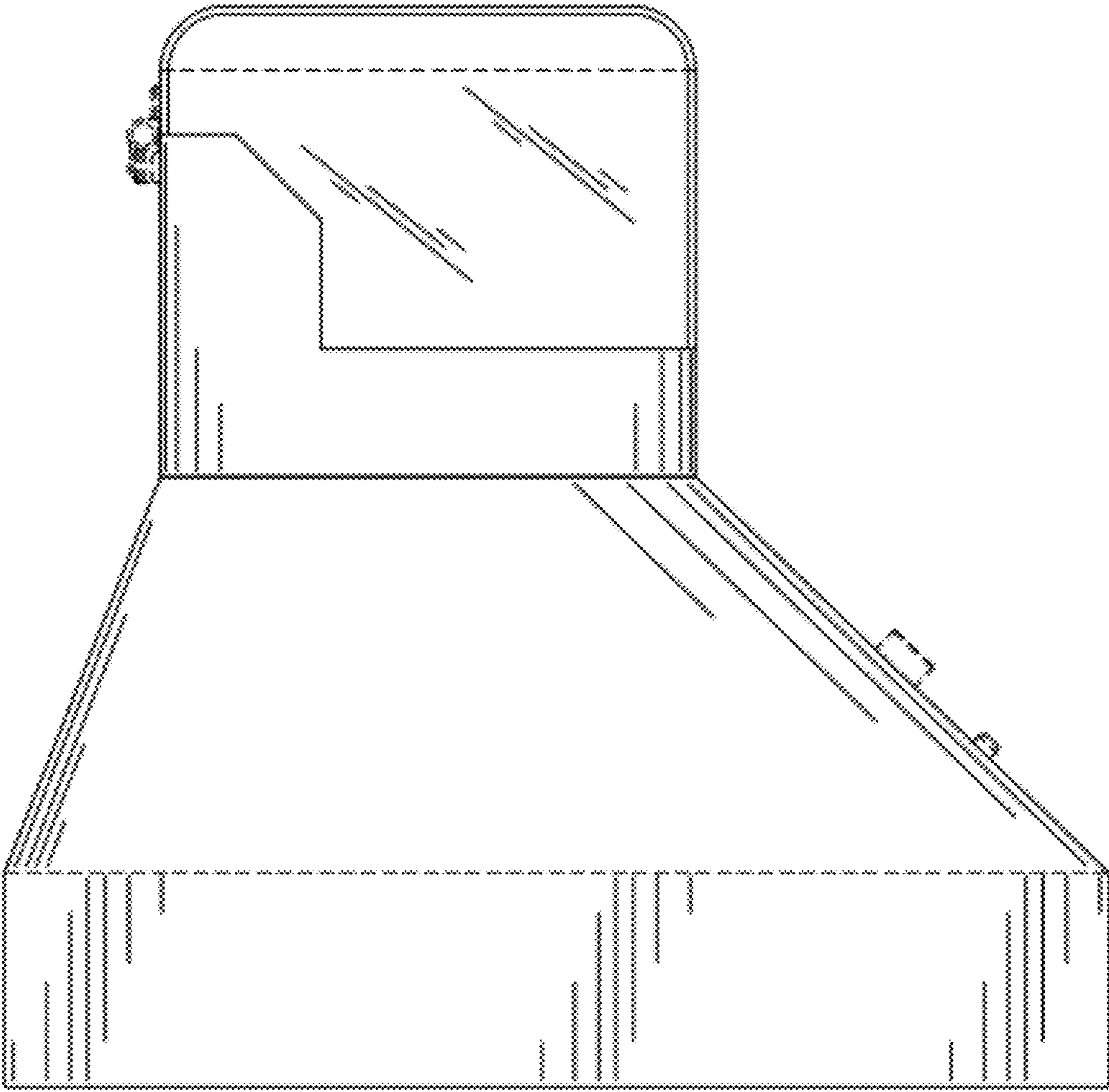


FIG. 5

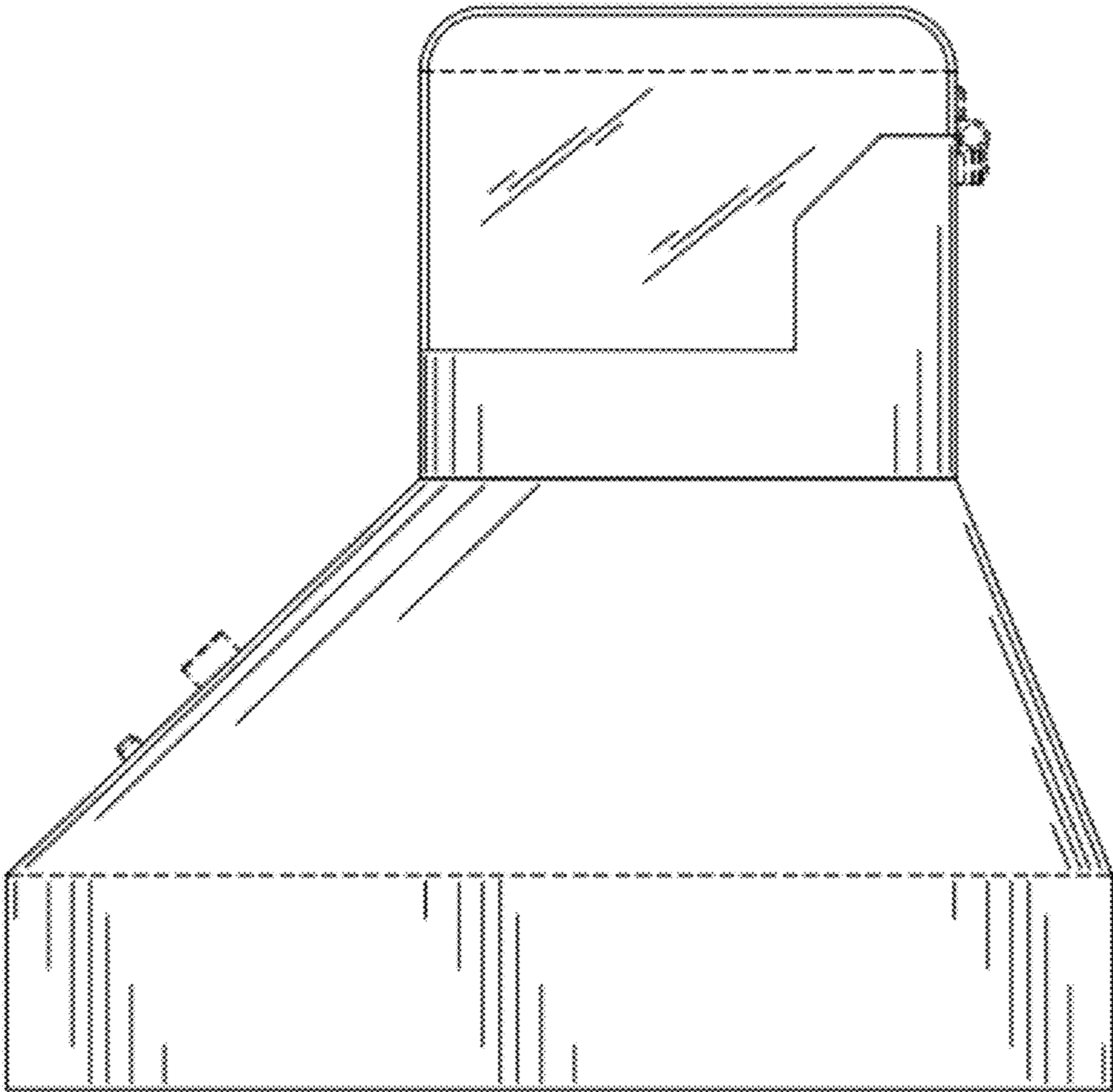


FIG. 6

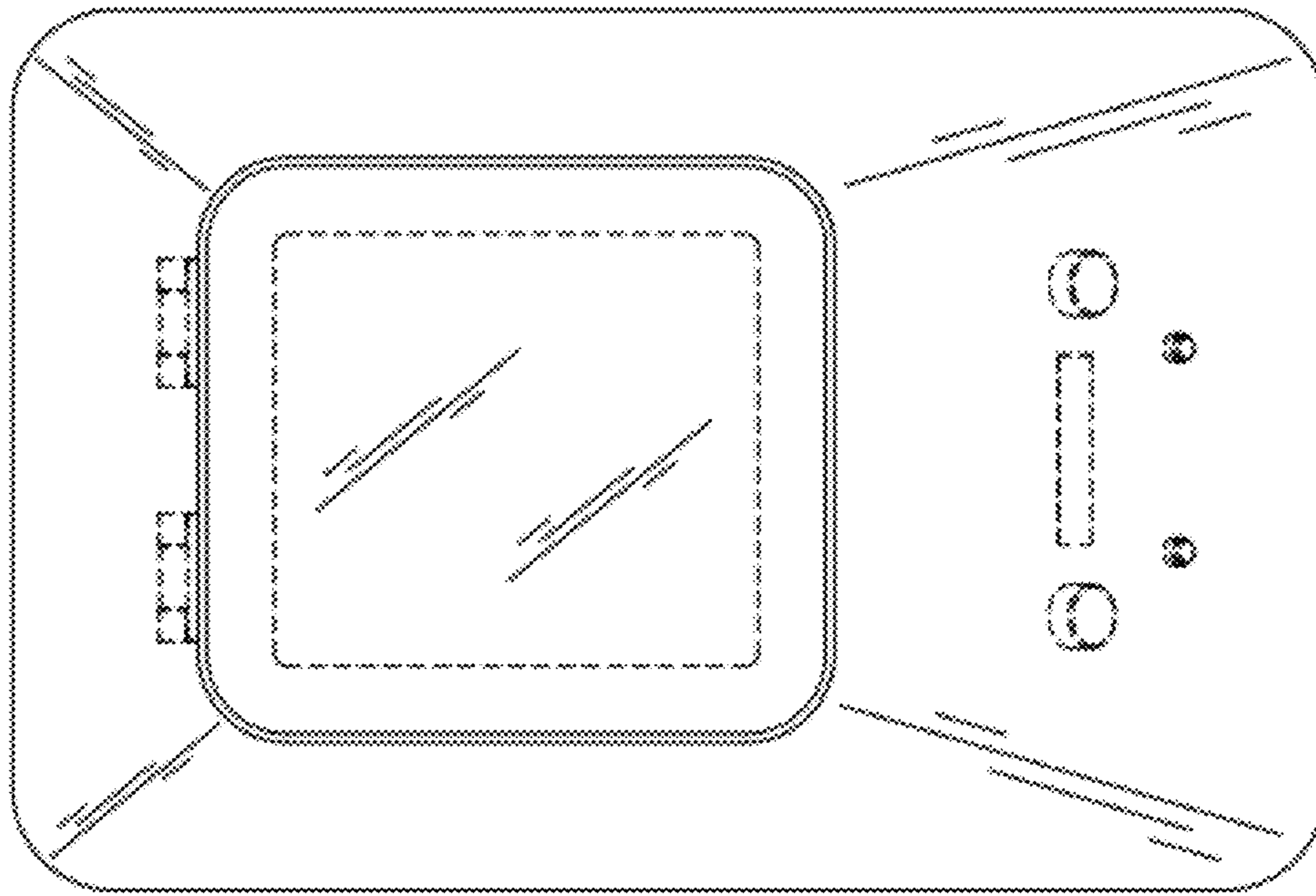


FIG. 7

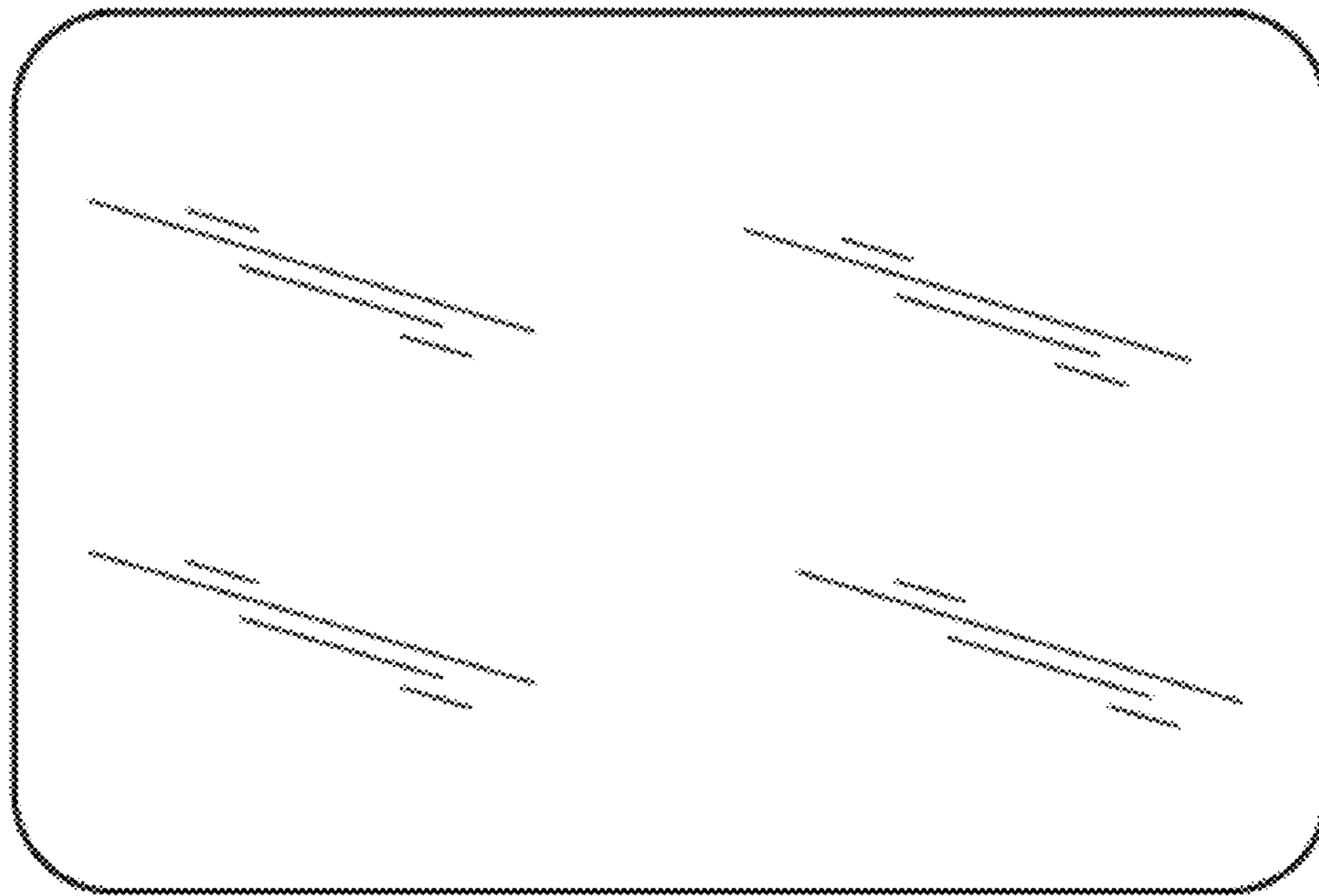


FIG. 8