



US00D660452S

(12) **United States Design Patent**
Wolff et al.

(10) **Patent No.:** **US D660,452 S**

(45) **Date of Patent:** **** May 22, 2012**

(54) **PILL CRUSHER**

(75) Inventors: **Stephen H. Wolff**, Scarsdale, NY (US);
Aubrey Jones, South Orange, NJ (US)

(73) Assignee: **Wolff Medical Marketing and Design, LLC**, New Rochelle, NY (US)

(**) Term: **14 Years**

(21) Appl. No.: **29/378,585**

(22) Filed: **Nov. 5, 2010**

(51) **LOC (9) Cl.** **24-01**

(52) **U.S. Cl.** **D24/220**

(58) **Field of Classification Search** D24/220,
D24/221, 216, 224, 231, 232; D7/679, 682;
241/168, 169, 169.1, 169.2, 199.11, DIG. 27
See application file for complete search history.

(56) **References Cited**

U.S. PATENT DOCUMENTS

D212,077 S * 8/1968 Baumann et al. D24/221
4,348,950 A * 9/1982 Harris 241/169.1
4,366,930 A * 1/1983 Trombetti, Jr. 241/169

4,765,549 A * 8/1988 Sherman 241/169
D337,828 S * 7/1993 Gordon D24/220
5,261,613 A * 11/1993 Mullarky 241/169.1
D433,148 S * 10/2000 Dennis D24/220
7,823,819 B1 * 11/2010 Marshall 241/169.1

* cited by examiner

Primary Examiner — Anhdao Doan

(74) *Attorney, Agent, or Firm* — Libby Babu Varghese
Carter Ledyard & Milburn LLP

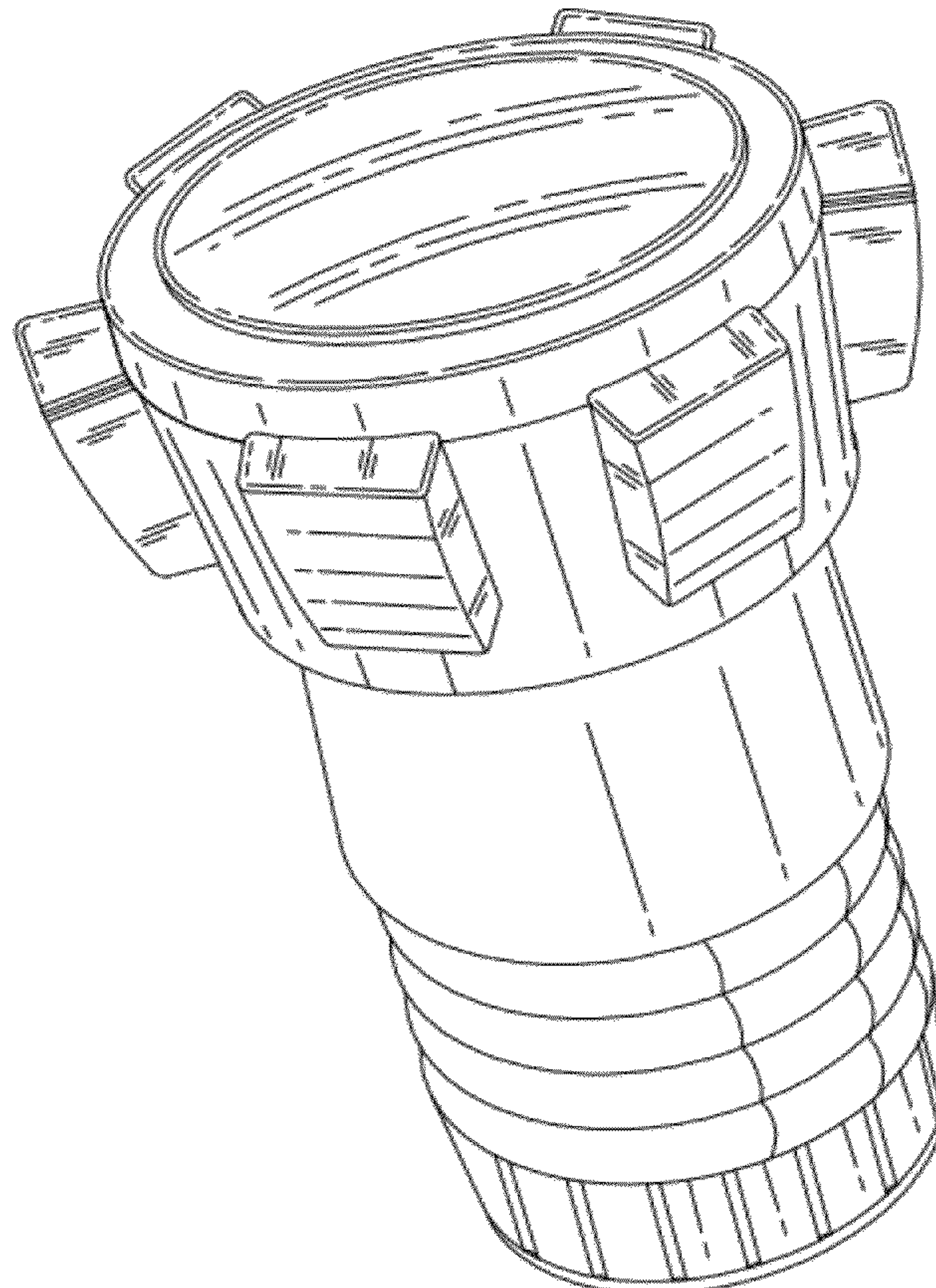
(57) **CLAIM**

The ornamental design for a pill crusher, as shown and described.

DESCRIPTION

FIG. 1 is a perspective view of a pill crusher in a closed position;
FIG. 2 is a side elevation view thereof;
FIG. 3 is a top view thereof;
FIG. 4 is a bottom view thereof; and,
FIG. 5 is an exploded perspective view thereof showing a top cavity of the pill crusher.

1 Claim, 4 Drawing Sheets



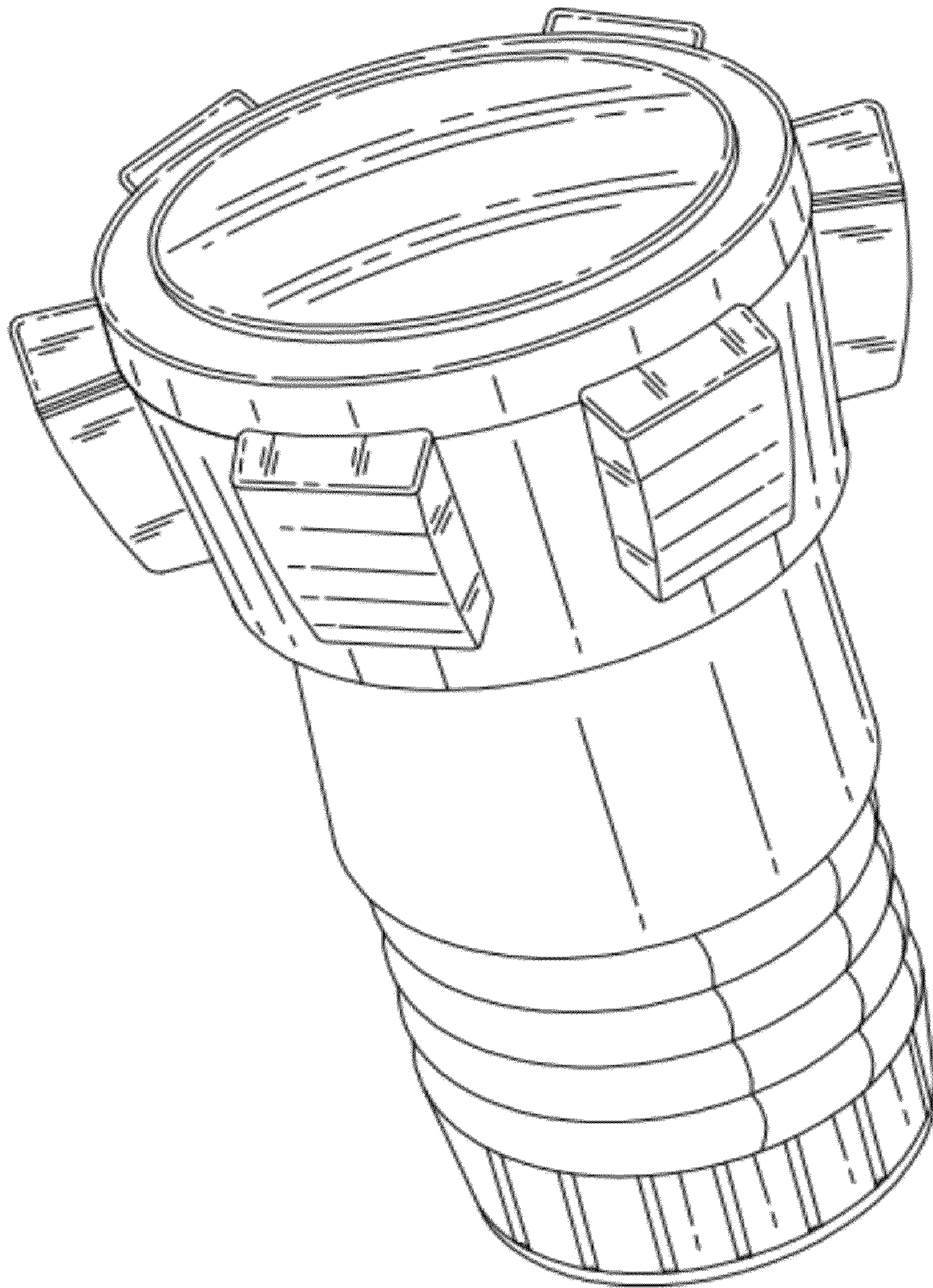


FIG. 1

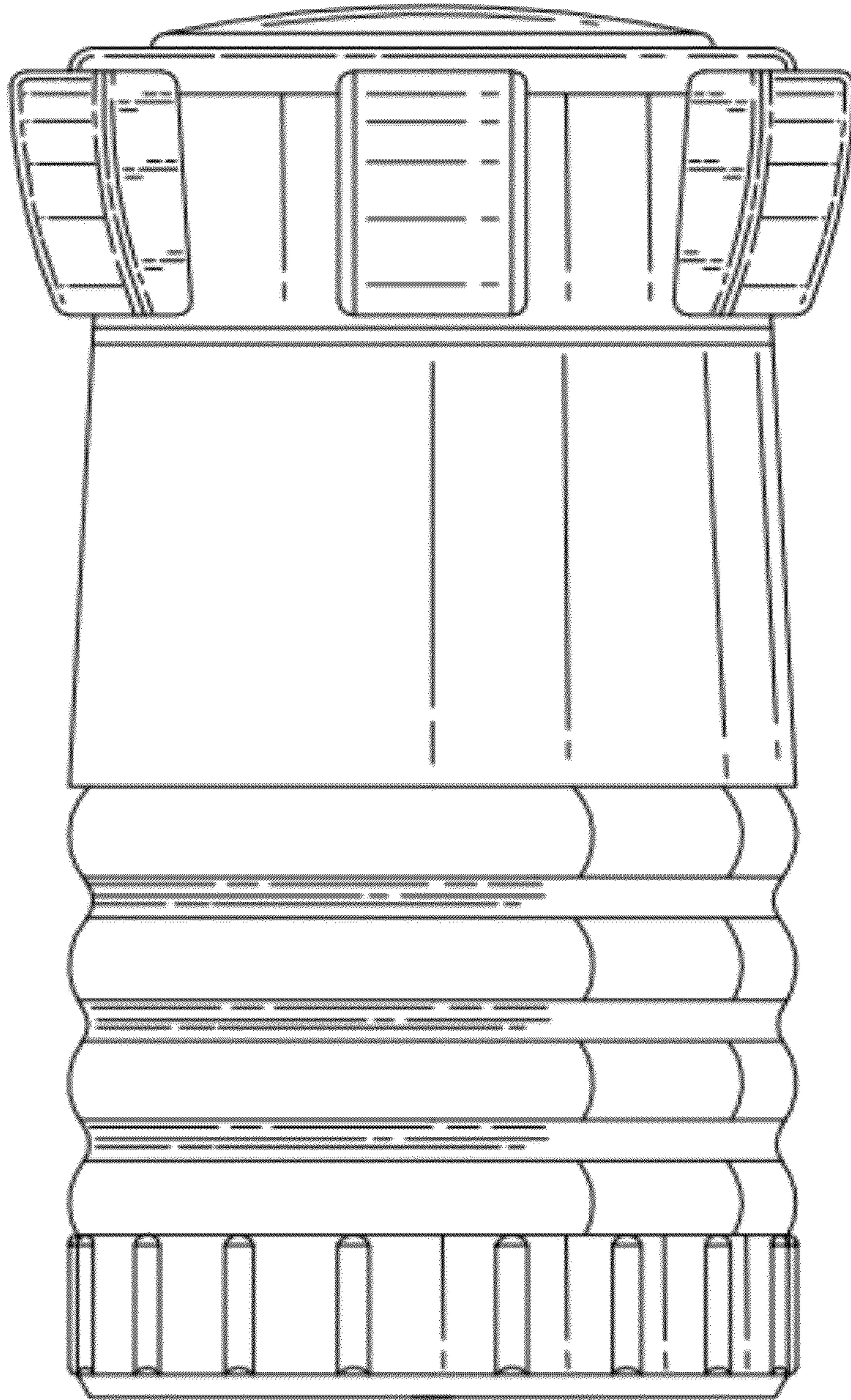


FIG. 2

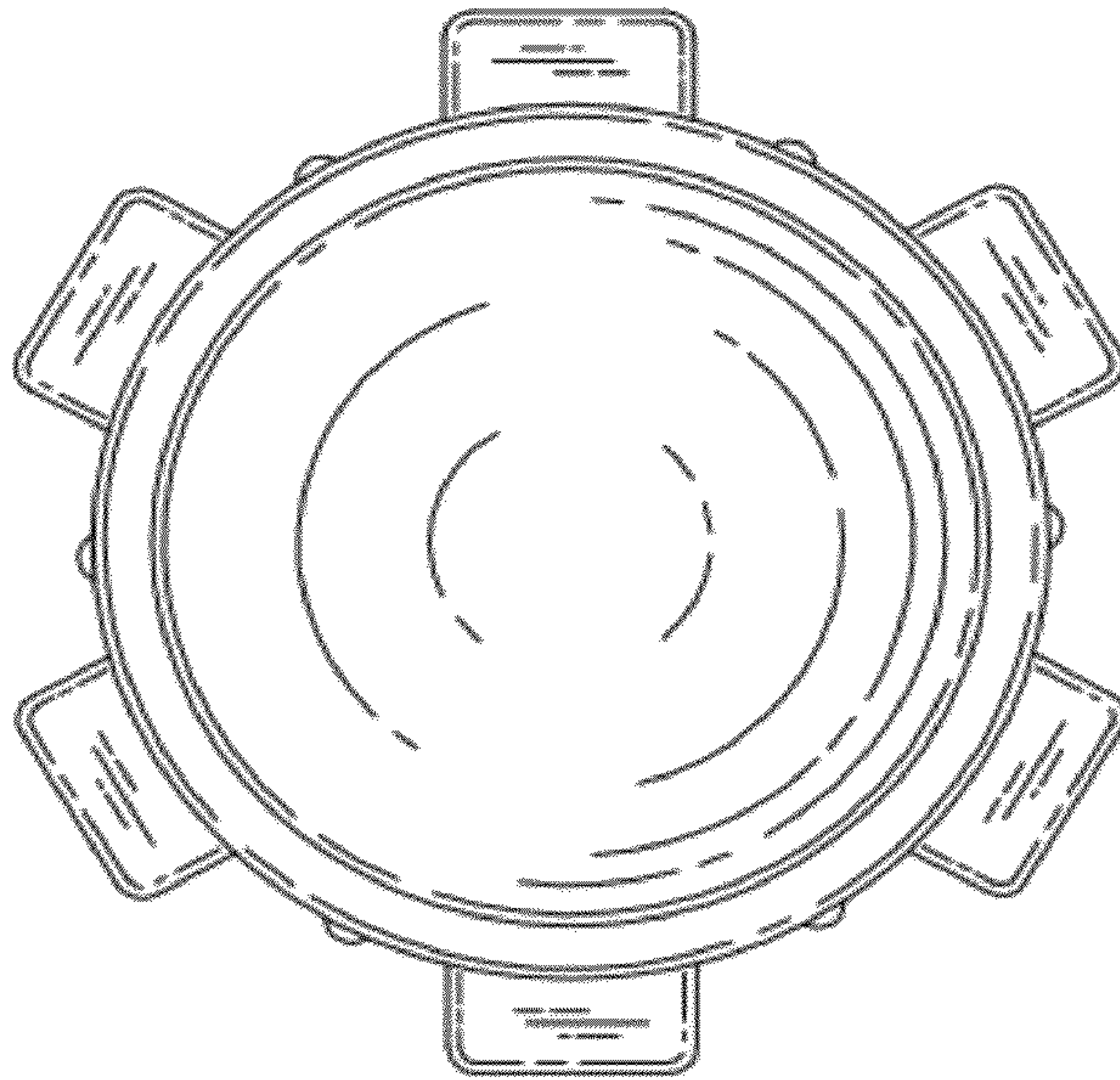


FIG. 3

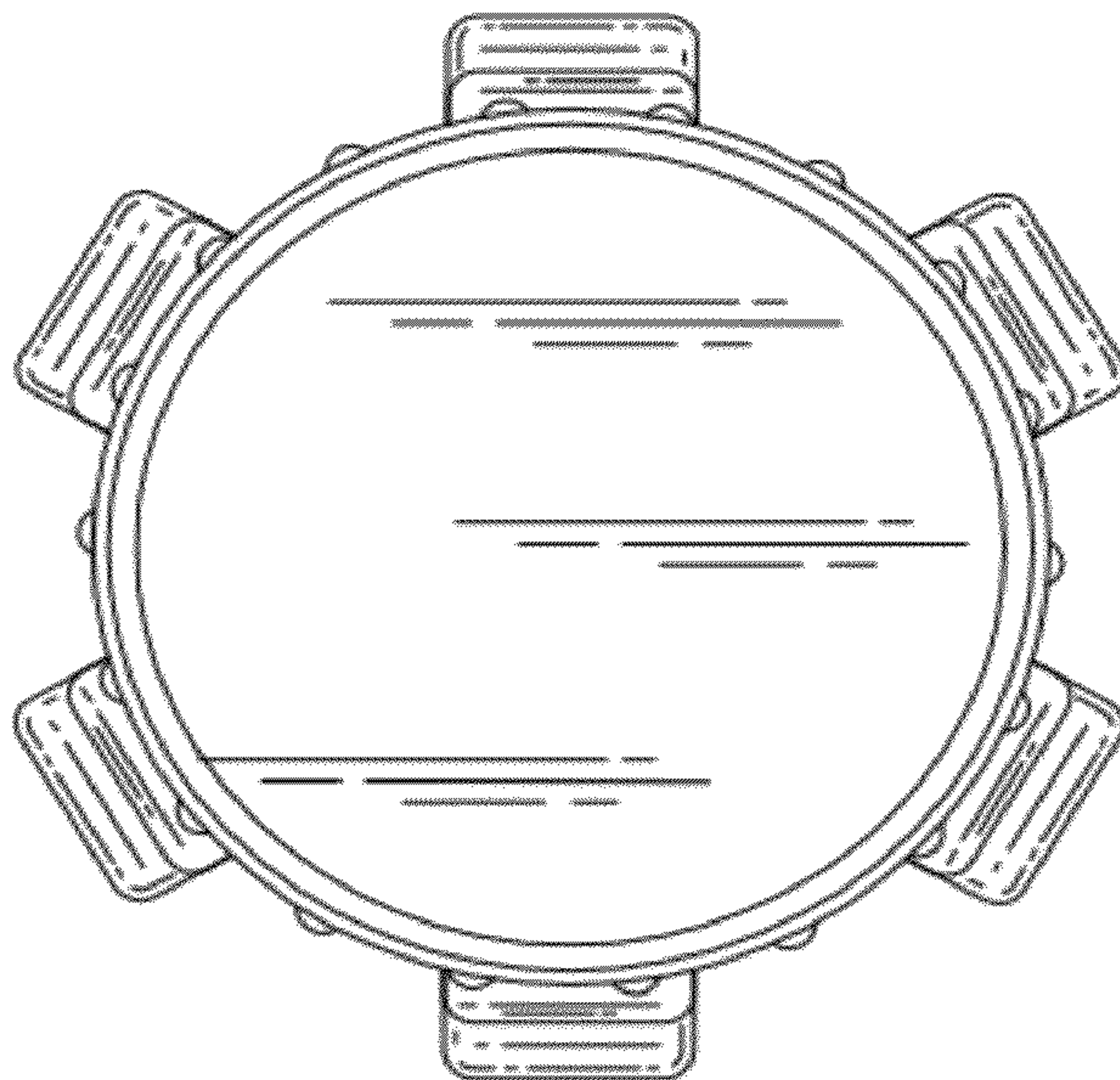


FIG. 4

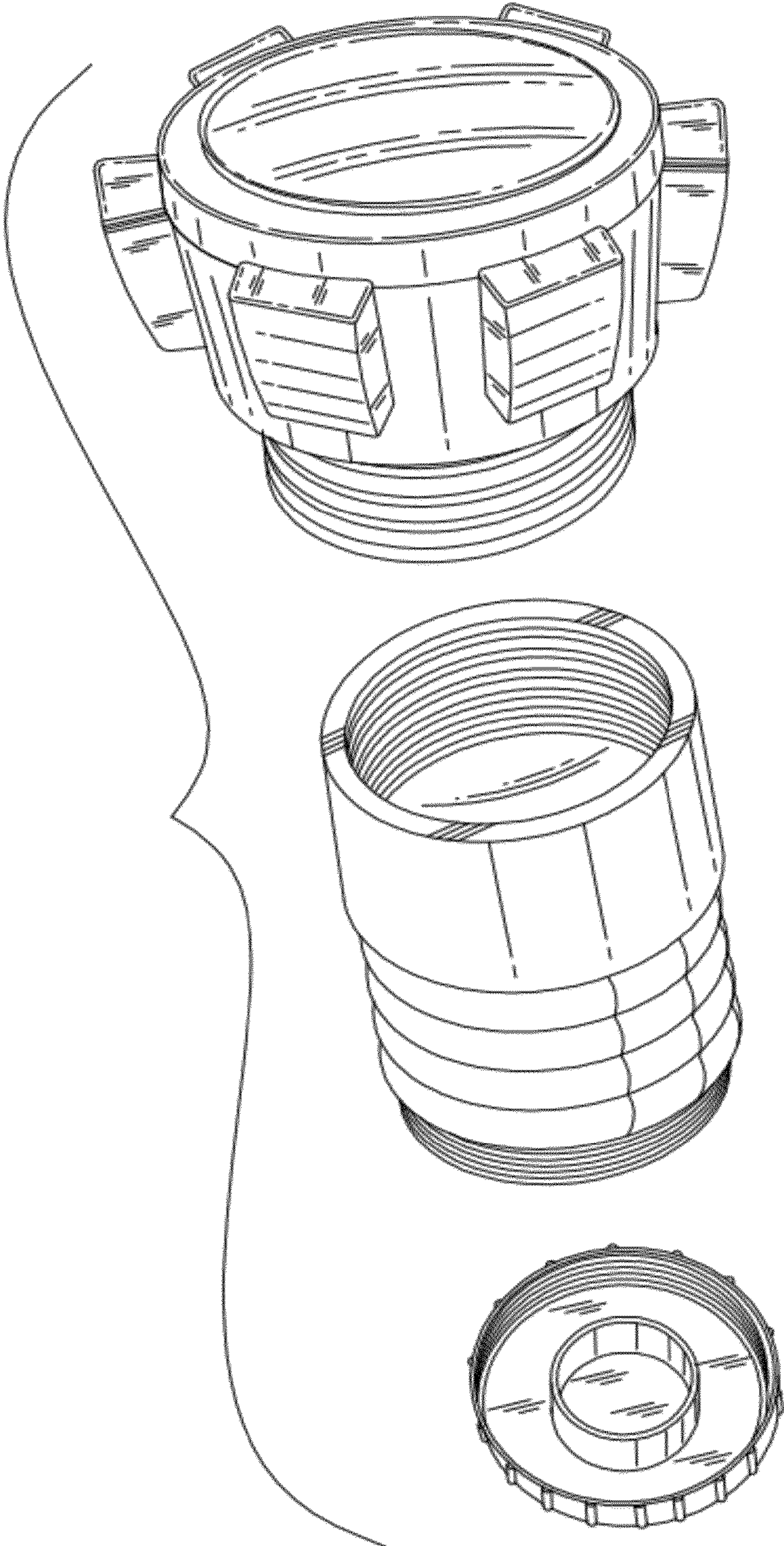


FIG. 5