

US00D660444S

(12) **United States Design Patent**  
**Tran**

(10) **Patent No.:** **US D660,444 S**

(45) **Date of Patent:** **\*\* May 22, 2012**

(54) **PEDICURE BOWL**

(75) Inventor: **Minh Sang Tran**, Cambridge (CA)

(73) Assignee: **Gulfstream Inc.**, Cambridge, Ontario (CA)

(\*\*) Term: **14 Years**

(21) Appl. No.: **29/397,913**

(22) Filed: **Jul. 22, 2011**

(51) **LOC (9) Cl.** ..... **28-03**

(52) **U.S. Cl.** ..... **D24/204; D24/213**

(58) **Field of Classification Search** ..... D24/200–205,  
D24/212, 213, 121–123; D23/276, 295,  
D23/284, 277; D9/425, 428, 431, 522; D7/500,  
D7/587, 586, 566; D30/129, 128, 131, 132,  
D30/121; D6/336, 495; D28/56, 61; 601/6,  
601/15, 64, 157–158, 30–32; 607/44; 4/450–458,  
4/488, 513, 538, 553, 905, 622, 574.1; 604/317,  
604/319; D3/304

See application file for complete search history.

(56) **References Cited**

**U.S. PATENT DOCUMENTS**

2,580,981	A	1/1952	Webster	
D219,323	S	11/1970	Bost	
3,940,807	A *	3/1976	Baker et al.	4/513
D250,206	S	11/1978	Levin	
D251,202	S	2/1979	Charewicz	
D254,754	S *	4/1980	Harrison	D30/129
D257,108	S *	9/1980	Daenen	D7/587
D288,729	S	3/1987	Meyerovich et al.	
D288,993	S	3/1987	Grumsrud	
D317,355	S	6/1991	Delepine	
D334,054	S	3/1993	Levien	
D342,165	S	12/1993	Marshall et al.	

D346,434	S	4/1994	Hunger et al.	
D356,954	S	4/1995	Sangbok	
D377,091	S *	12/1996	Scott, Sr.	D24/121
5,697,921	A	12/1997	Blair	
D393,699	S	4/1998	Bonnell	
D412,600	S	8/1999	Oh et al.	
D424,819	S	5/2000	Galati et al.	
D429,379	S	8/2000	Kim	

(Continued)

**OTHER PUBLICATIONS**

U.S. Appl. No. 29/327,019, Minh Sang Tran, filed Oct. 29, 2008.

(Continued)

*Primary Examiner* — David Muller

(74) *Attorney, Agent, or Firm* — Jones, Walker, Waechter, Poitevent, Carrere & Denegre, LLP

(57) **CLAIM**

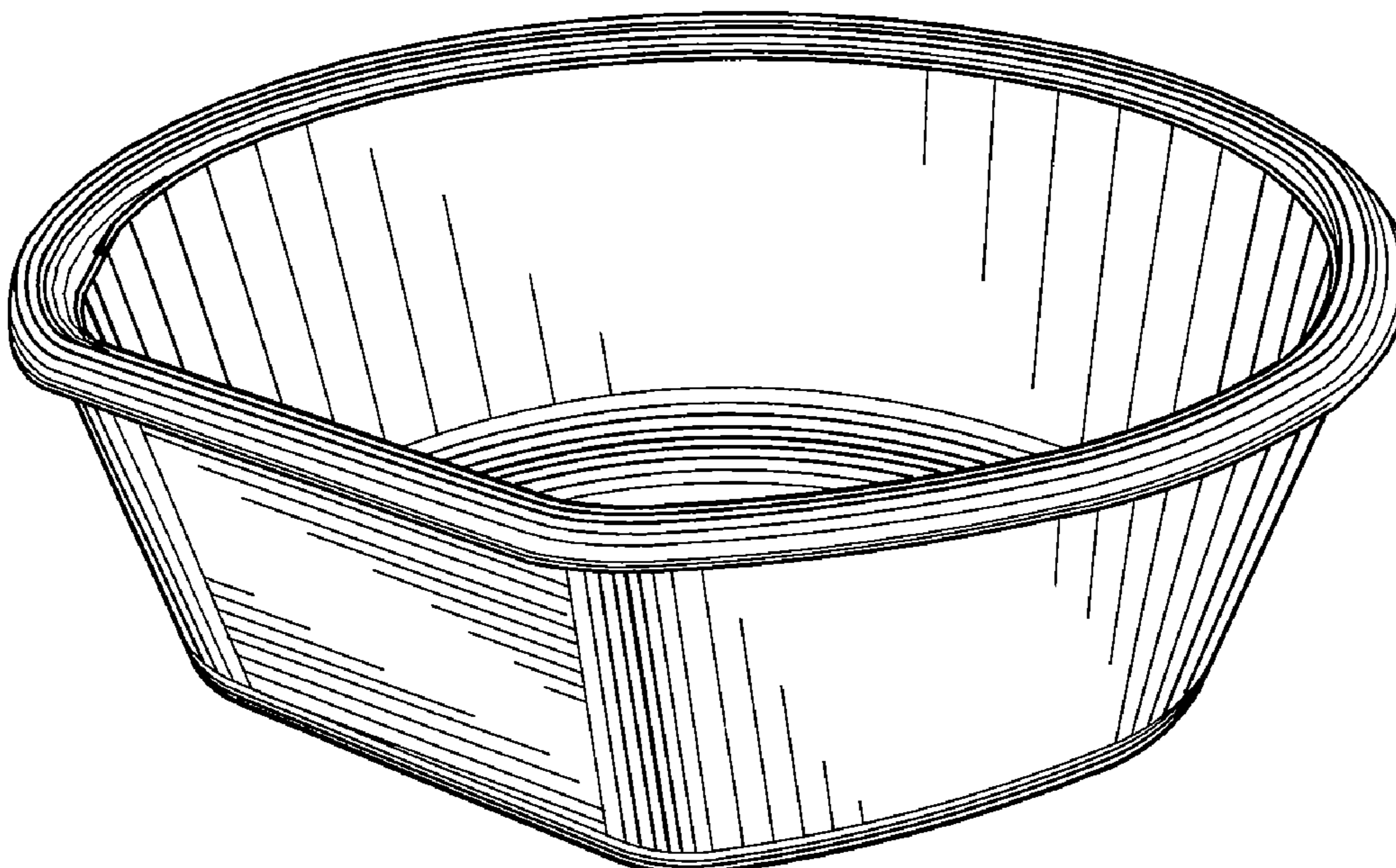
The ornamental design for a pedicure bowl, as shown and described.

**DESCRIPTION**

FIG. 1 is a rear -top perspective view of the pedicure bowl. FIG. 2 is a rear-bottom perspective view of the pedicure bowl. FIG. 3 is a right side elevation view of the pedicure bowl. FIG. 4 is a left side elevation view of the pedicure bowl. FIG. 5 is a top plan view of the pedicure bowl. FIG. 6 is a bottom plan view of the pedicure bowl. FIG. 7 is a front elevation view of the pedicure bowl; and, FIG. 8 is a rear elevation view of the pedicure bowl.

The broken lines in the drawings, particularly those depicting the drain location for the bowl as shown in FIGS. 2, 5 and 6, depict environmental subject matter only and form no part of the claimed design.

**1 Claim, 4 Drawing Sheets**



# US D660,444 S

Page 2

## U.S. PATENT DOCUMENTS

D429,380 S	8/2000	Fontier et al.		D569,986 S	5/2008	Ton	
D431,637 S	10/2000	Palmer		D571,018 S	6/2008	Ton et al.	
D434,916 S	12/2000	Galati, Jr. et al.		D571,565 S	6/2008	Cheng	
D435,296 S	12/2000	Jacuzzi		D571,961 S	6/2008	Nguyen	
D435,937 S	1/2001	Back et al.		D573,842 S *	7/2008	Friedland et al. ....	D7/566
D439,082 S	3/2001	Su		D576,806 S	9/2008	Le	
D439,083 S	3/2001	Tseng		D576,807 S	9/2008	Le	
D451,321 S	12/2001	Chi		D583,171 S	12/2008	Tran	
D454,705 S	3/2002	Long et al.		D583,576 S	12/2008	Tran	
D455,017 S	4/2002	Tran		D583,960 S	12/2008	Tran	
D455,566 S	4/2002	Park		D585,142 S	1/2009	Galati et al.	
D456,154 S	4/2002	Huynh et al.		D589,155 S	3/2009	Galati et al.	
D457,018 S	5/2002	Park		D591,963 S	5/2009	Lifeng	
D465,113 S	11/2002	Chen		D601,309 S *	9/2009	Babal .....	D30/129
D466,407 S *	12/2002	Nance .....	D9/428	D603,522 S	11/2009	Elliott	
6,503,212 B2	1/2003	Park		D605,754 S *	12/2009	Nelson et al. ....	D24/121
D472,720 S	4/2003	Cheng		D608,633 S	1/2010	Elmerhaus	
D472,768 S *	4/2003	Wellner .....	D7/587	D610,697 S	2/2010	Tran	
D475,558 S	6/2003	Chen		D621,555 S *	8/2010	Hewson et al. ....	D30/121
D479,919 S	9/2003	Genelli et al.		D621,556 S *	8/2010	Hewson et al. ....	D30/121
D493,035 S *	7/2004	Bergman .....	D3/304	D622,071 S	8/2010	Petruccelli	
D498,599 S	11/2004	Luong		D624,656 S	9/2010	Ton	
D504,178 S	4/2005	Zolotnik		D625,961 S *	10/2010	Kent .....	D7/586
6,880,182 B2	4/2005	Gruenwald		D628,704 S	12/2010	Tran	
D504,783 S	5/2005	Park		D632,798 S	2/2011	Tran	
D505,021 S	5/2005	Kim		D636,090 S	4/2011	Tran	
D520,791 S	5/2006	Solowieg		D645,355 S *	9/2011	D'Amato .....	D9/522
D525,687 S	7/2006	Kohler et al.		D647,199 S *	10/2011	Kroiss .....	D24/123
D526,505 S	8/2006	Gruenwald et al.		D647,625 S *	10/2011	Le et al. ....	D24/204
D541,060 S	4/2007	Fugate et al.		2004/0060108 A1	4/2004	Hoon	
D549,876 S	8/2007	Le		2004/0177438 A1	9/2004	Gruenwald	
D549,999 S	9/2007	Fugate et al.		2006/0242760 A1	11/2006	Chao	
D556,480 S	12/2007	Tran		2007/0226896 A1	10/2007	Fugate et al.	
D560,310 S	1/2008	Le		2007/0226897 A1	10/2007	Fugate	
D560,853 S	1/2008	Van Le et al.					
D561,903 S	2/2008	Ton					
D562,575 S	2/2008	Le					
D563,558 S	3/2008	Ton					
D564,099 S	3/2008	Ton et al.					
D564,138 S *	3/2008	Dunn et al. ....	D30/129				
D565,739 S	4/2008	Tran					
D566,407 S	4/2008	Gay					
D568,485 S	5/2008	Ton					
D569,135 S	5/2008	Galati, Jr. et al.					

## OTHER PUBLICATIONS

U.S. Appl. No. 29/319,651, Minh Sang Tran, filed Jun. 12, 2008.  
 U.S. Appl. No. 29/319,652, Minh Sang Tran, filed Jun. 12, 2008.  
 Continuum Pedicure Spas—Pedicure Chairs, Spas, and Salon Equipment, retrieved from Internet on Jan. 26, 2010, <http://www.salonpedicurespas.com>, p. 1 of 1.  
 “La Fleur Spas” sales literature from Gulfstream Plastics, Ltd., Aug. 2004.  
 “La Rose Spas” sales literature from Gulfstream Plastics, Ltd., 2005.

\* cited by examiner



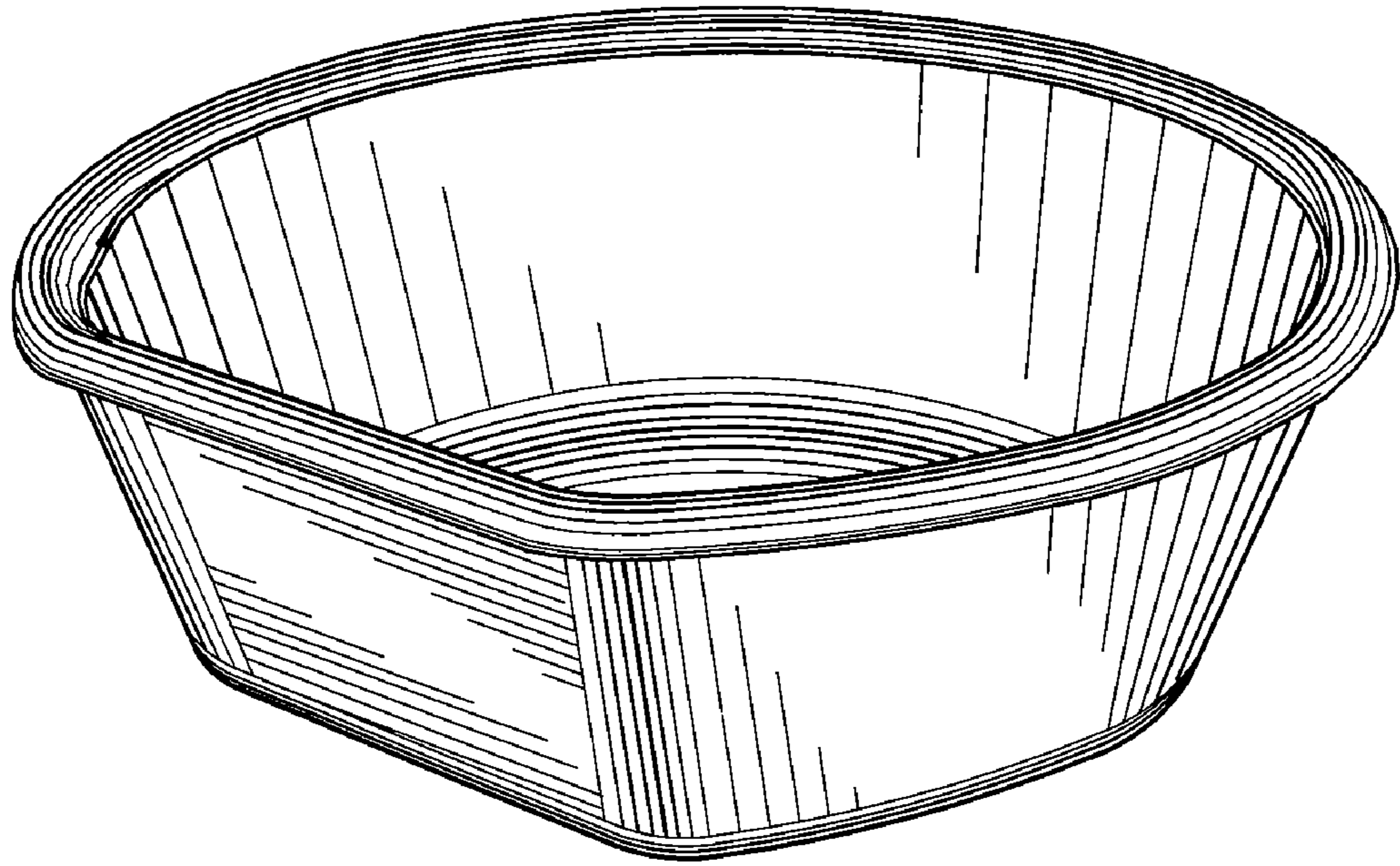


FIG. 1

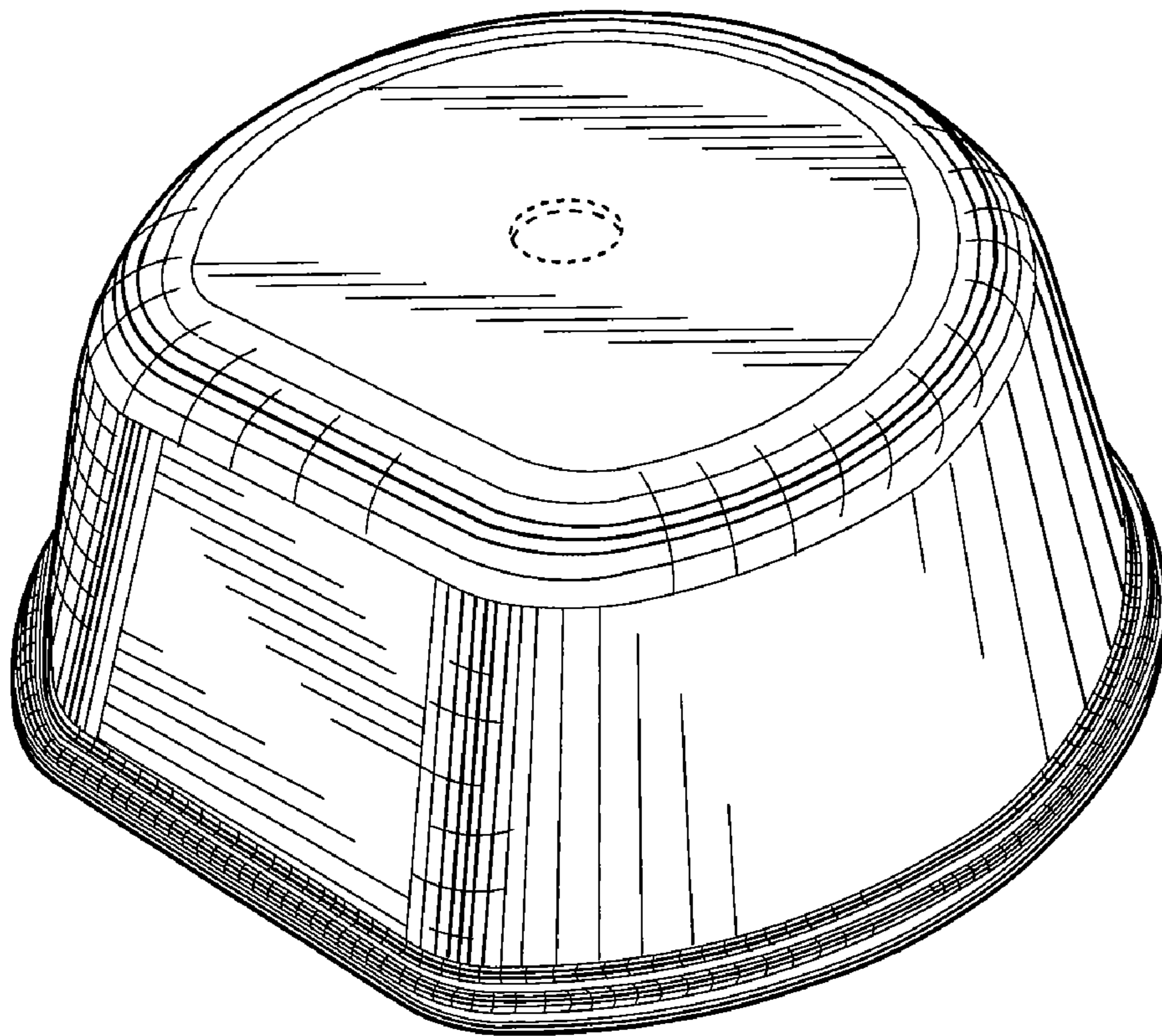


FIG. 2

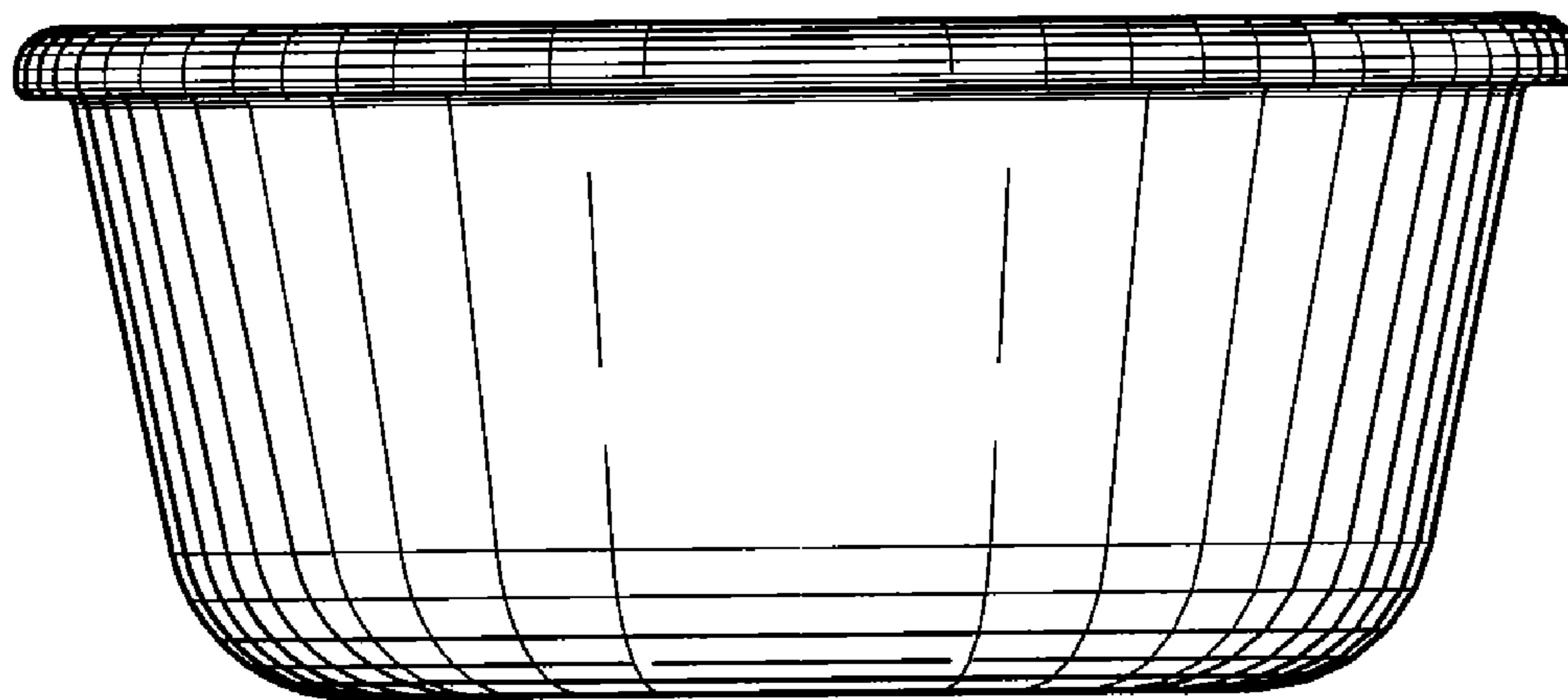


FIG.3

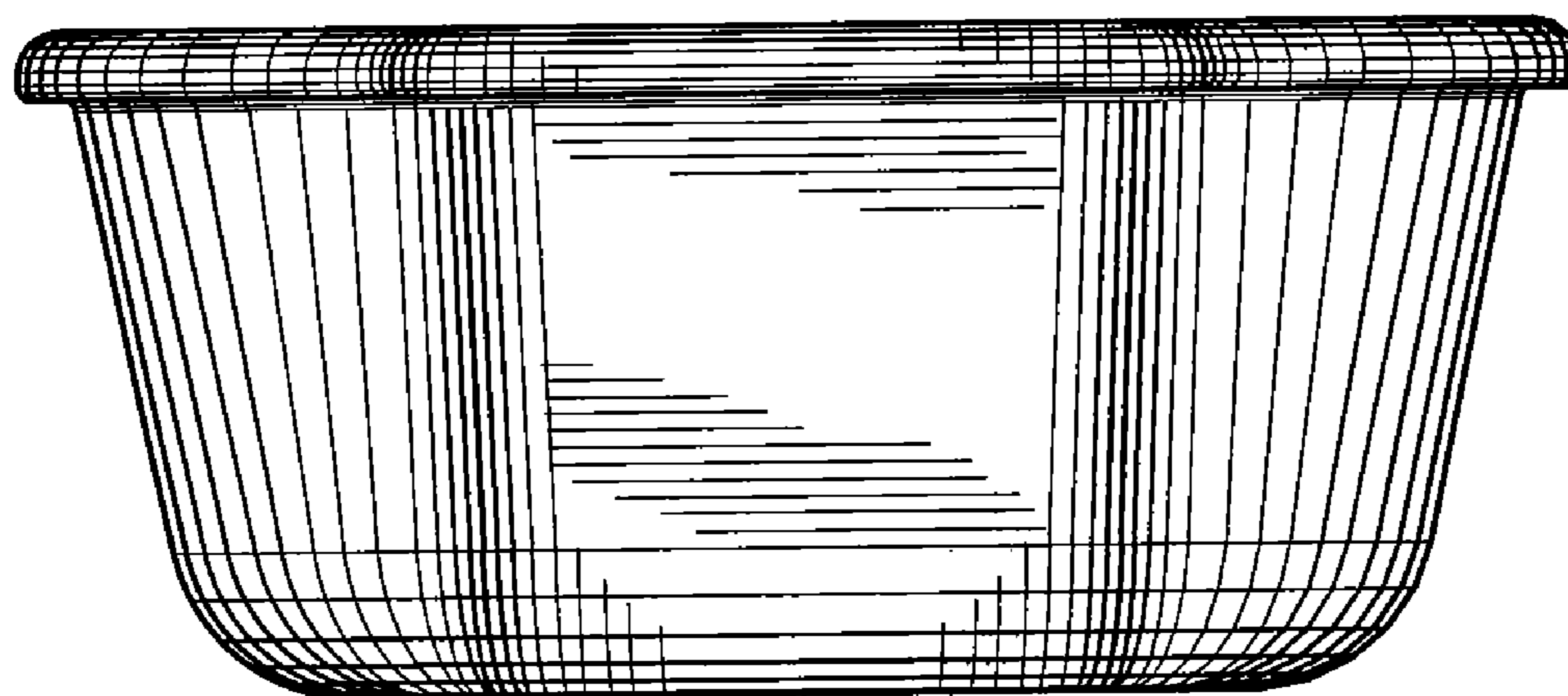


FIG.4

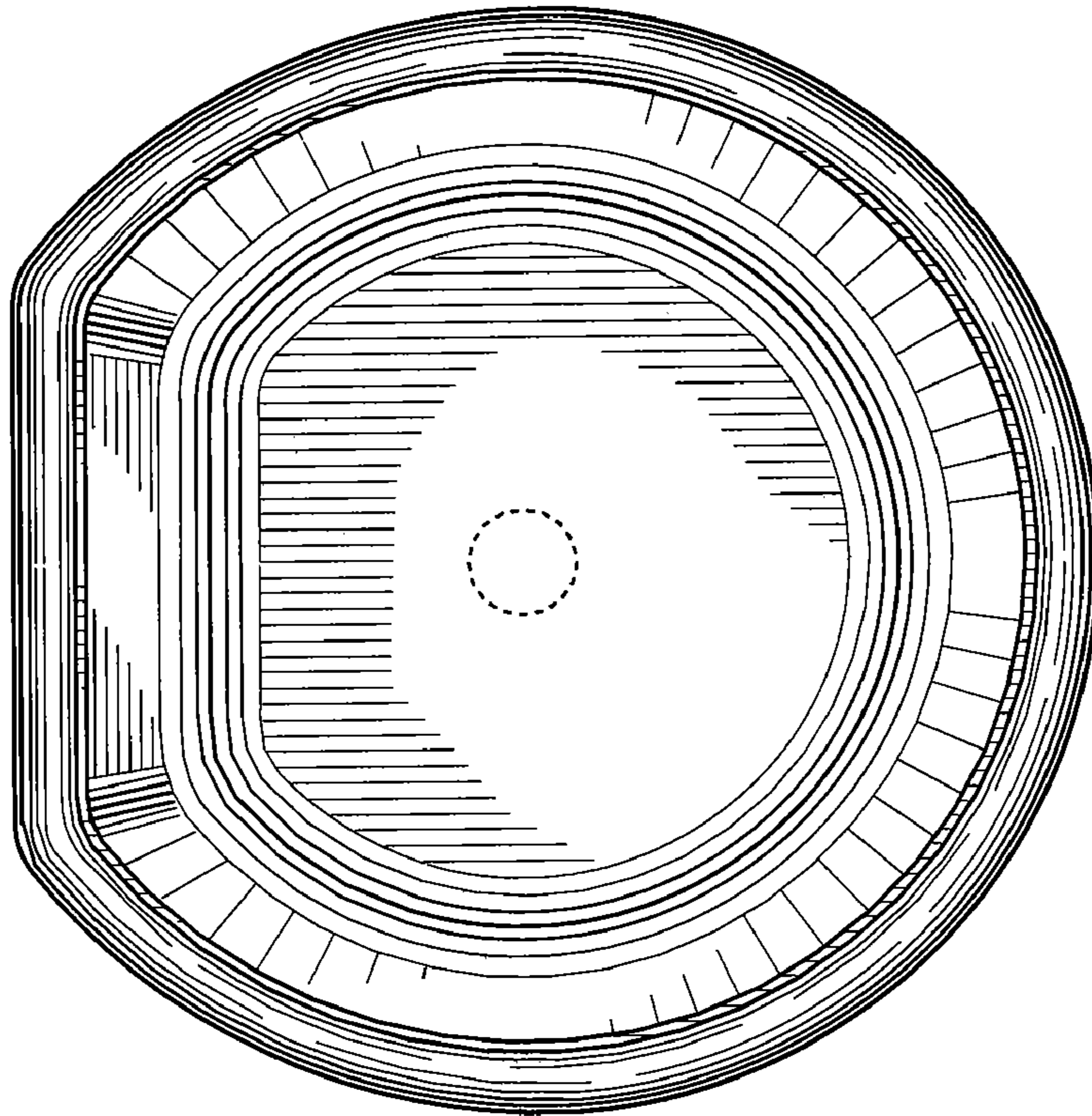


FIG. 5

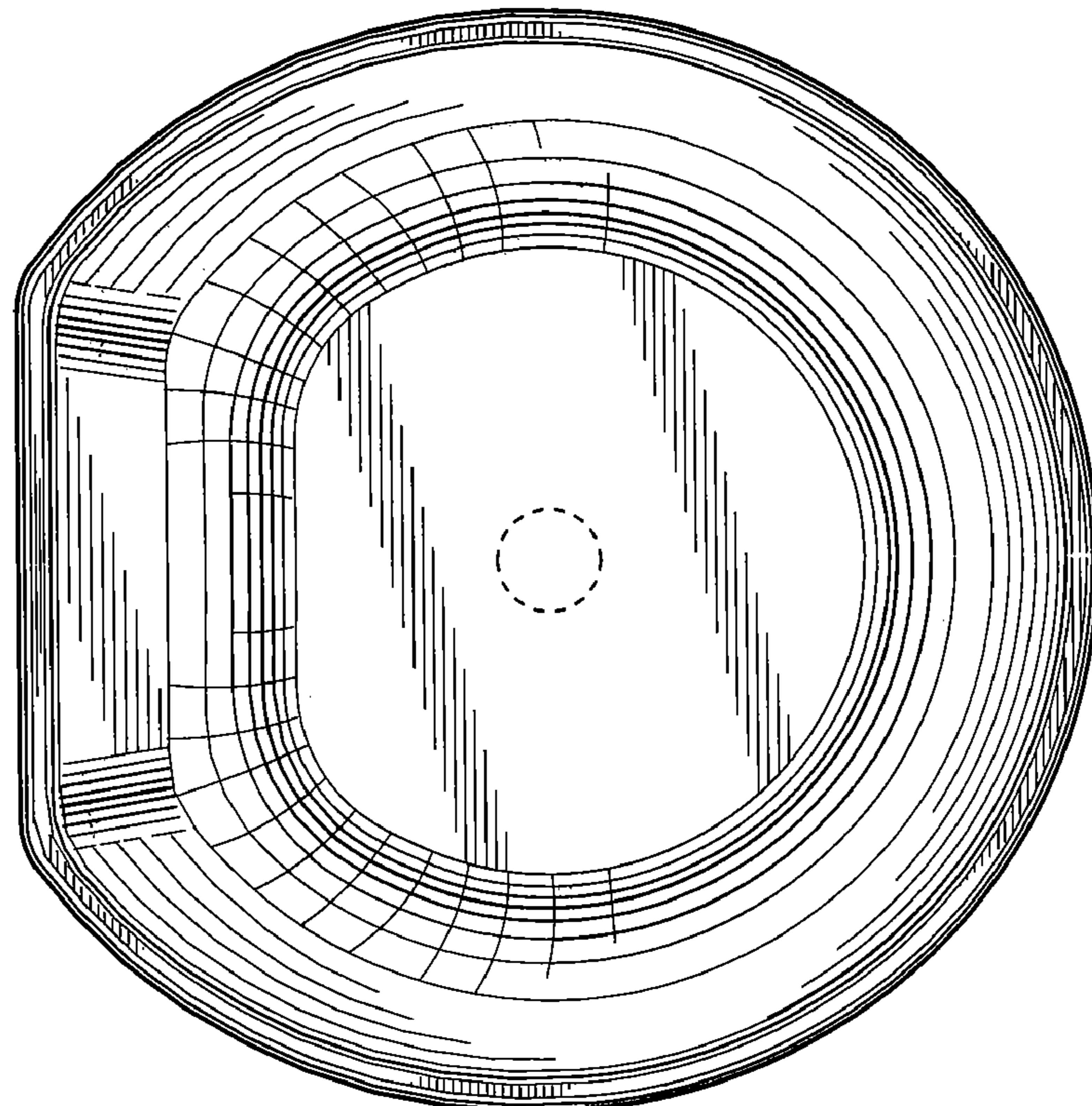


FIG. 6



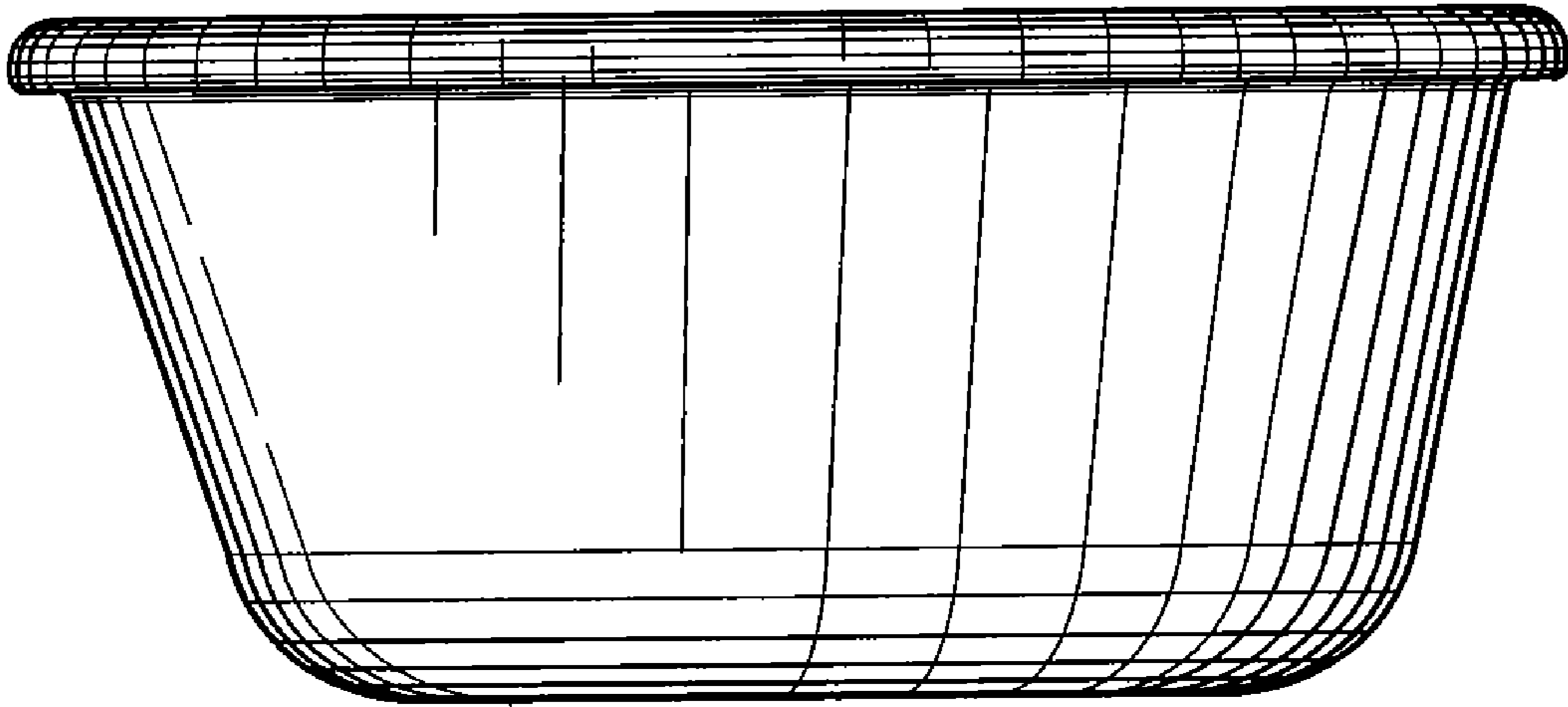


FIG. 7

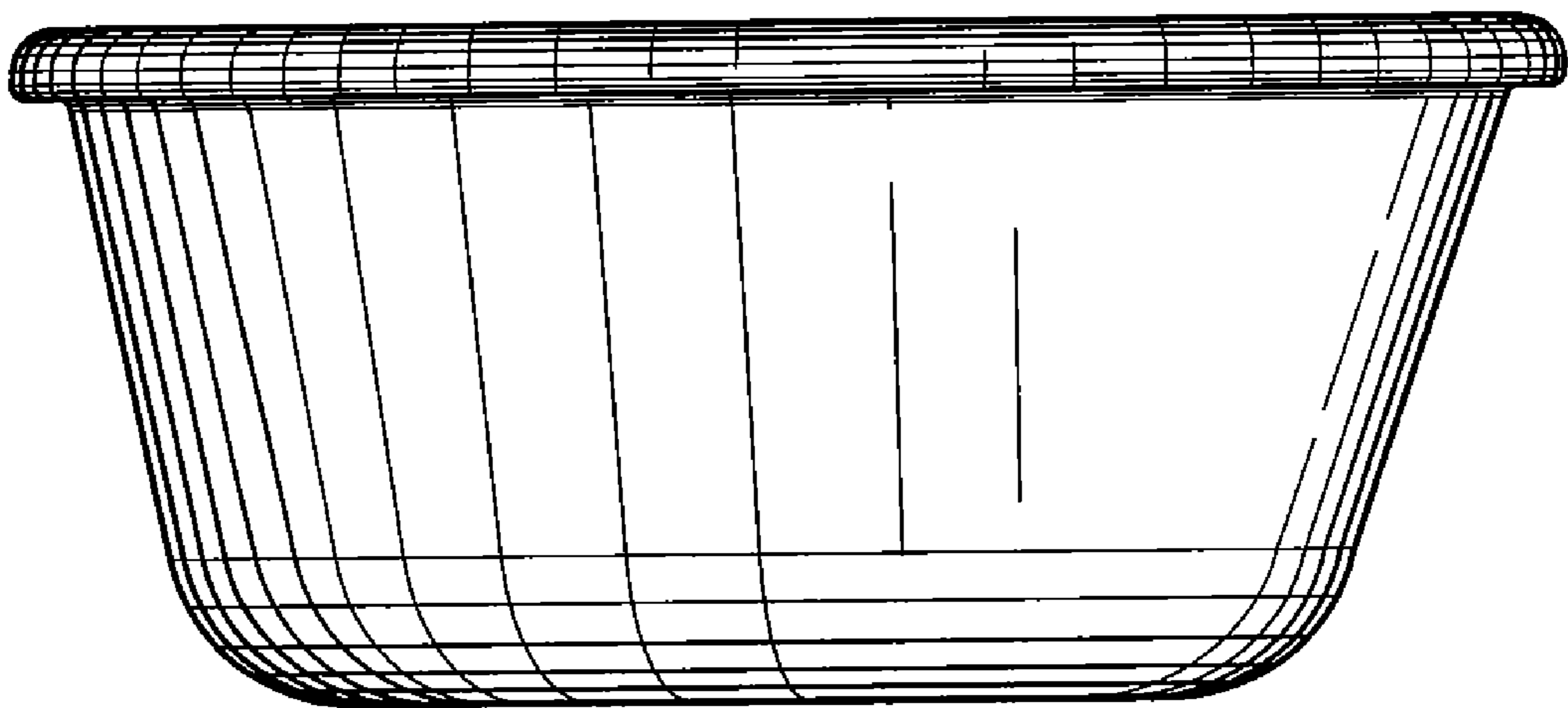


FIG. 8