



US00D660439S

(12) **United States Design Patent**
Chen et al.

(10) **Patent No.:** **US D660,439 S**

(45) **Date of Patent:** **** May 22, 2012**

(54) **COMBINED PREGNANCY AND POSTPARTUM BELT**

(76) Inventors: **Charlene Chen**, San Francisco, CA (US); **Nam C. Quach**, San Francisco, CA (US)

(**) Term: **14 Years**

(21) Appl. No.: **29/400,304**

(22) Filed: **Aug. 25, 2011**

(51) **LOC (9) Cl.** **24-01**

(52) **U.S. Cl.** **D24/190**

(58) **Field of Classification Search** D24/188-190, D24/200, 206; D29/100, 101.1, 101.3, 101.5; D2/624, 627, 629, 634, 635, 701; 602/5, 602/13, 19, 20, 36; 450/155; 2/44-45, 300, 2/338, 463-465; D21/662, 683; 482/1, 4, 482/112, 121, 124, 148

See application file for complete search history.

(56) **References Cited**

U.S. PATENT DOCUMENTS

3,096,760	A *	7/1963	Nelkin	128/95.1
3,441,027	A *	4/1969	Lehman	450/154
3,570,480	A *	3/1971	Stubbs	602/19
D313,290	S *	12/1990	Seering et al.	D2/701
D328,383	S *	8/1992	Working, Jr.	D29/101.5
5,188,586	A *	2/1993	Castel et al.	602/19
D353,890	S *	12/1994	McKeel	D24/190
5,399,151	A *	3/1995	Smith	602/19
5,470,000	A *	11/1995	Munoz	224/665

D404,490	S *	1/1999	Tripolsky	D24/190
6,071,175	A *	6/2000	Working, III	450/155
D437,416	S *	2/2001	Slautterback	D24/190
D496,108	S *	9/2004	Machin et al.	D24/206
D499,846	S *	12/2004	Cesko	D29/101.3
D501,582	S *	2/2005	Yang	D29/101.3
7,309,304	B2 *	12/2007	Stewart et al.	482/124
D595,859	S *	7/2009	Young	D24/190
D625,019	S *	10/2010	Chiang	D24/190
7,815,584	B2 *	10/2010	Stewart, III	602/5
D635,682	S *	4/2011	Chiang	D24/190
D638,948	S *	5/2011	Janzon	D24/190
D650,485	S *	12/2011	Jaccard	D24/190

* cited by examiner

Primary Examiner — Susan E Krakower

(74) *Attorney, Agent, or Firm* — Bay Area Technology Law Group PC

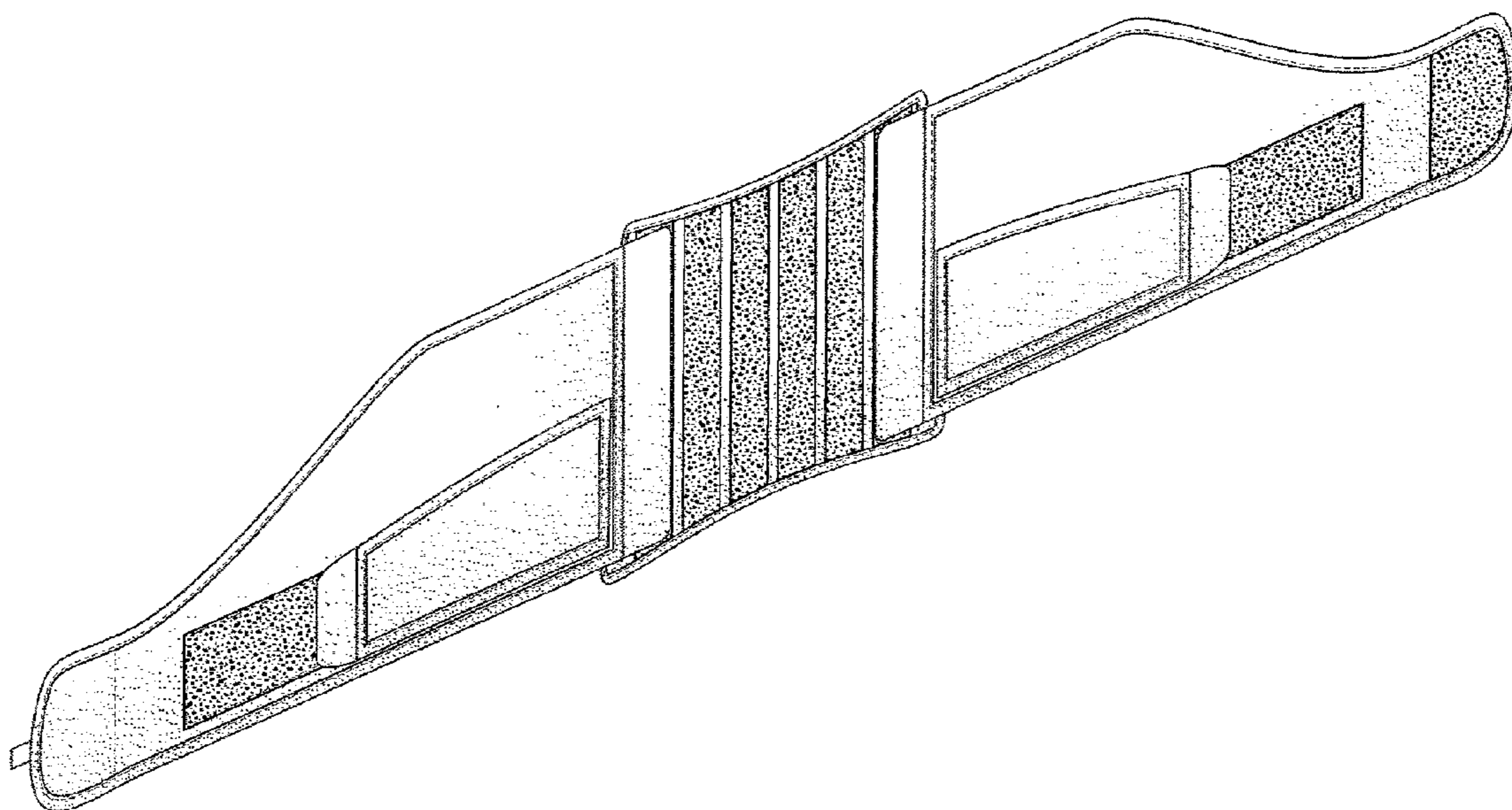
(57) **CLAIM**

The ornamental design for a combined pregnancy and postpartum belt, as shown and described.

DESCRIPTION

FIG. 1 is a perspective view of a combined pregnancy and postpartum belt showing our new design;
FIG. 2 is an exploded perspective view of FIG. 1;
FIG. 3 is a front view of FIG. 1;
FIG. 4 is a rear view of FIG. 1;
FIG. 5 is a top plan view of FIG. 1;
FIG. 6 is a bottom plan view of FIG. 1;
FIG. 7 is a left side view of FIG. 1; and,
FIG. 8 is a right side view of FIG. 1.

1 Claim, 4 Drawing Sheets



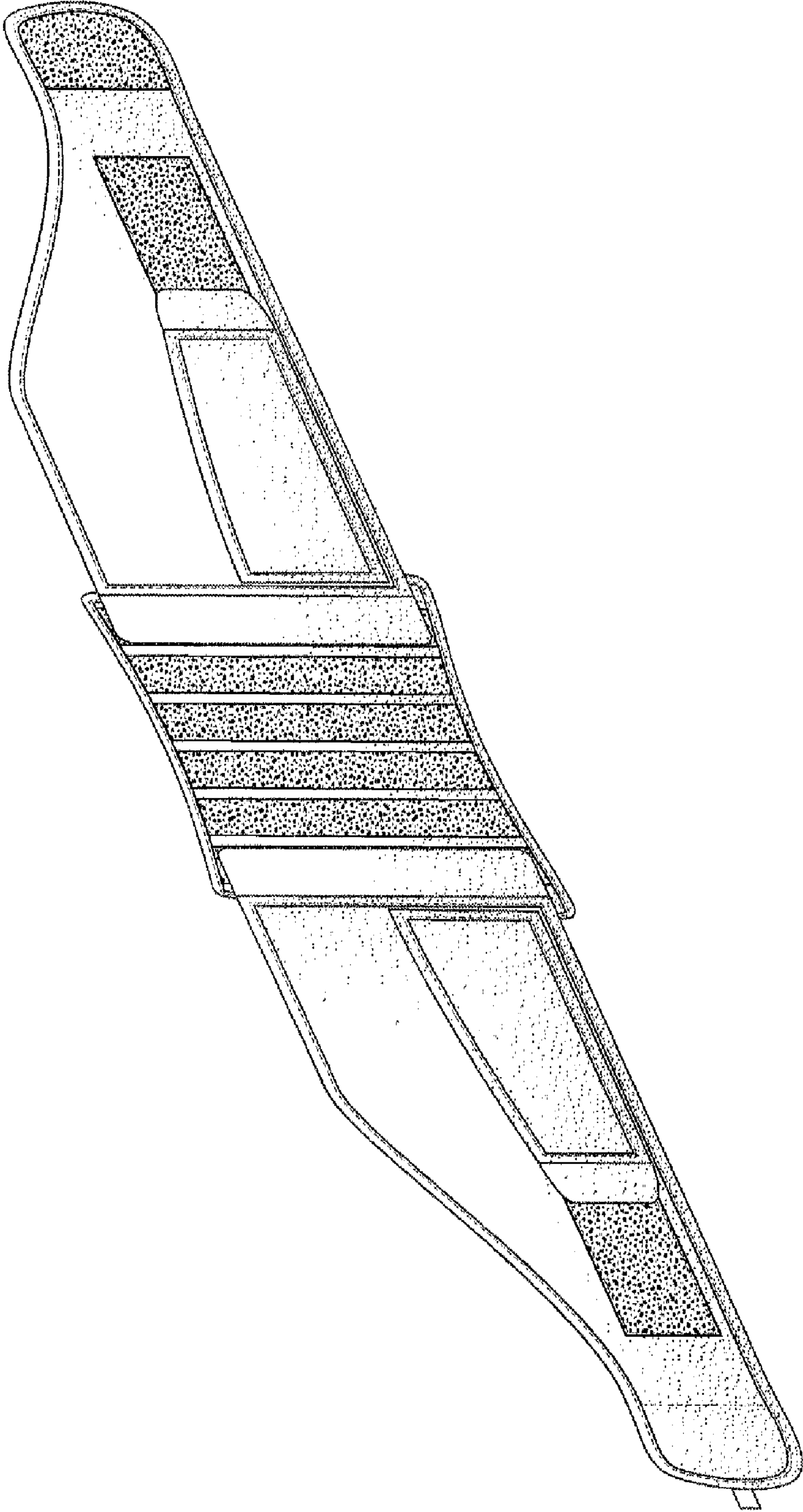


FIG. 1

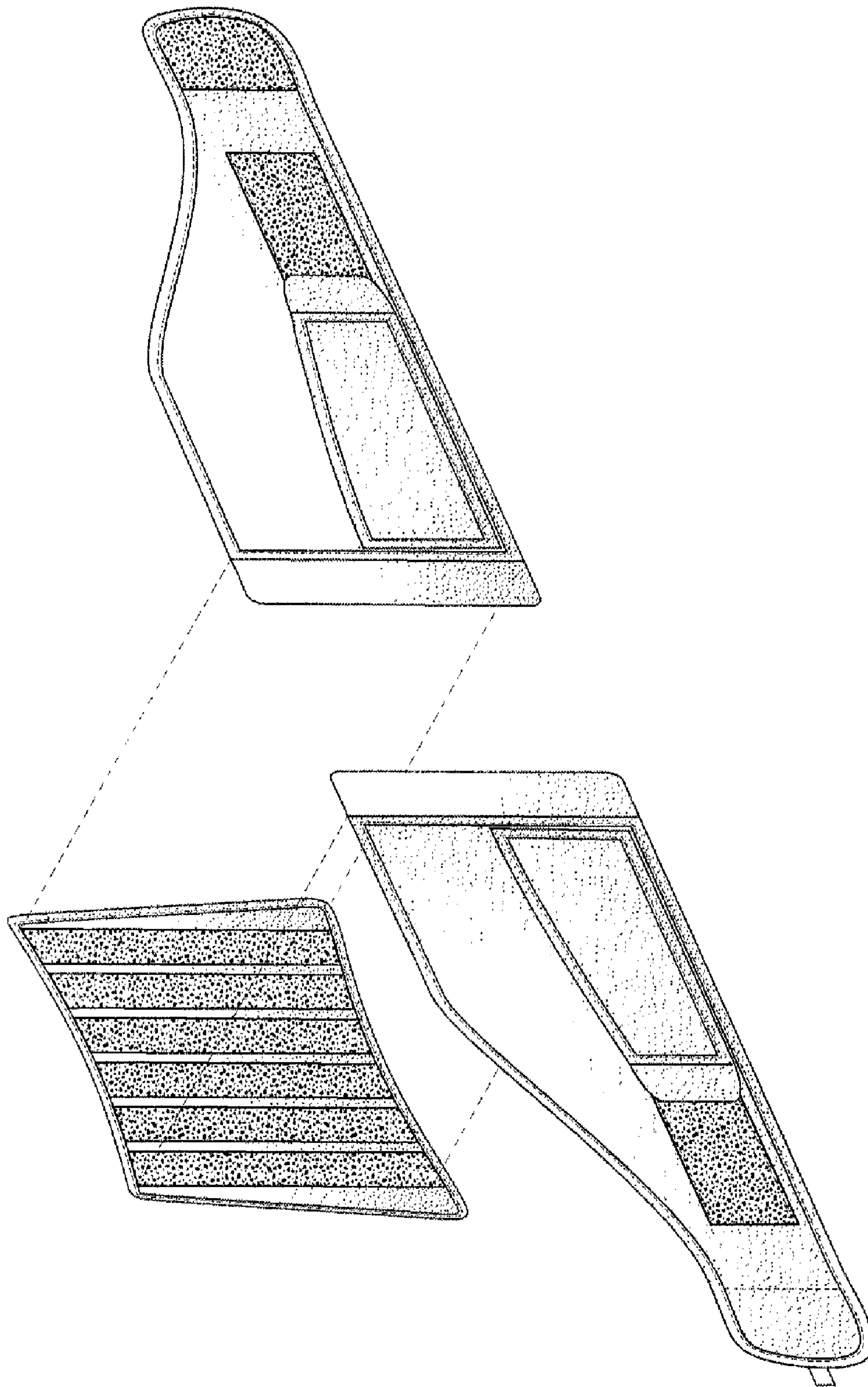


FIG. 2

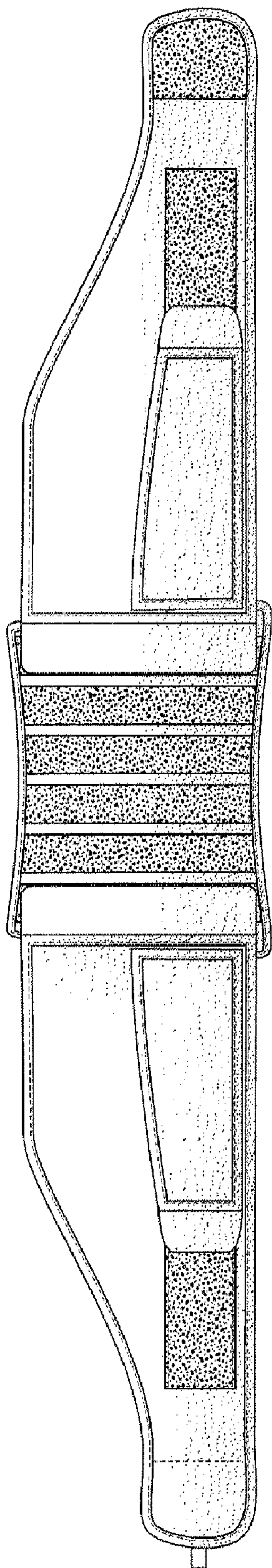


FIG. 3

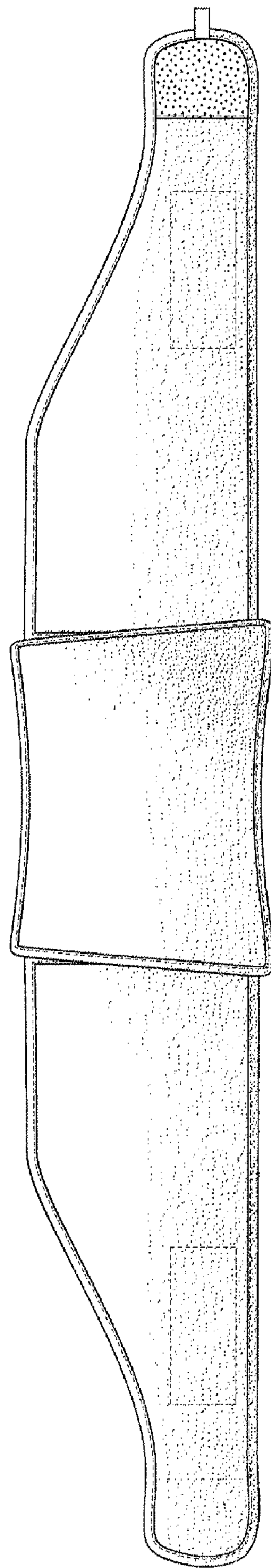


FIG. 4



FIG. 5

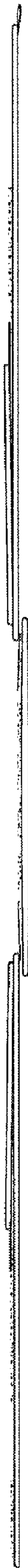


FIG. 6

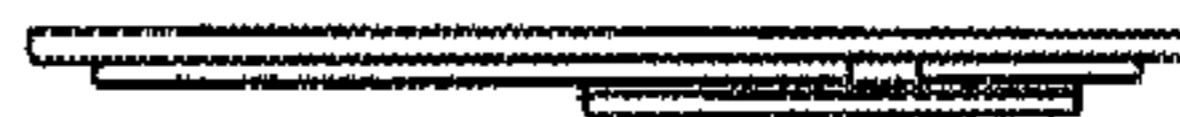


FIG. 7

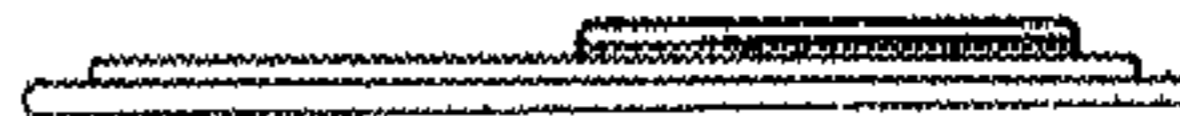


FIG. 8