



US00D660437S

(12) **United States Design Patent**  
**Schilling et al.**

(10) **Patent No.:** **US D660,437 S**

(45) **Date of Patent:** **\*\* May 22, 2012**

(54) **ORTHOSIS**

(75) Inventors: **Matthias Schilling,**  
Weissenborn-Lüderode (DE); **Boris**  
**Ljubimir,** Göttingen (DE)

(73) Assignee: **Otto Bock HealthCare GmbH,**  
Duderstadt (DE)

(\*\*) Term: **14 Years**

(21) Appl. No.: **29/369,724**

(22) Filed: **Sep. 13, 2010**

(30) **Foreign Application Priority Data**

Mar. 24, 2010 (EM) ..... 001686304

(51) **LOC (9) Cl.** ..... **24-01**

(52) **U.S. Cl.** ..... **D24/190**

(58) **Field of Classification Search** ..... D24/190,  
D24/155; 602/1, 5, 16, 23, 26; 623/24, 39,  
623/43; 403/102

See application file for complete search history.

(56) **References Cited**

**U.S. PATENT DOCUMENTS**

D286,183	S	*	10/1986	Womack et al.	.....	D24/190
5,306,230	A	*	4/1994	Bodine	.....	602/26
5,399,154	A	*	3/1995	Kipnis et al.	.....	602/26
5,437,619	A	*	8/1995	Malewicz et al.	.....	602/20
5,443,444	A	*	8/1995	Pruyssers	.....	602/26
5,827,208	A	*	10/1998	Mason et al.	.....	602/16
5,997,493	A	*	12/1999	Young	.....	602/16
6,080,122	A	*	6/2000	Gulledge	.....	602/16
6,165,226	A	*	12/2000	Wagner	.....	623/39
D448,484	S	*	9/2001	Bradshaw	.....	D24/155

6,309,368	B1	*	10/2001	Herzberg et al.	.....	602/26
D487,512	S	*	3/2004	Bradshaw et al.	.....	D24/190
6,740,054	B2	*	5/2004	Stearns	.....	602/16
6,746,414	B1	*	6/2004	Devreese	.....	602/26
6,764,244	B2	*	7/2004	Pansiera	.....	403/102
D496,464	S	*	9/2004	Iglesias et al.	.....	D24/190
6,960,175	B1	*	11/2005	Myers	.....	602/16
7,037,287	B2	*	5/2006	Cormier et al.	.....	602/23
7,083,583	B2	*	8/2006	Opahle et al.	.....	602/16
7,087,031	B2	*	8/2006	Rossi et al.	.....	602/16
2010/0256543	A1	*	10/2010	McCune	.....	602/16

**OTHER PUBLICATIONS**

Instruction Manual of a Joint Unit distributed by Mssrs. Ultraflex (in German language) (available at least as early as Aug. 3, 2008).

\* cited by examiner

*Primary Examiner* — Susan E Krakower

(74) *Attorney, Agent, or Firm* — Holland & Hart LLP

(57) **CLAIM**

The ornamental design for an orthosis, as shown and described.

**DESCRIPTION**

FIG. 1 is a perspective view of an orthosis according to the present invention;

FIG. 2 is top view thereof;

FIG. 3 is right side view thereof;

FIG. 4 is left side view thereof;

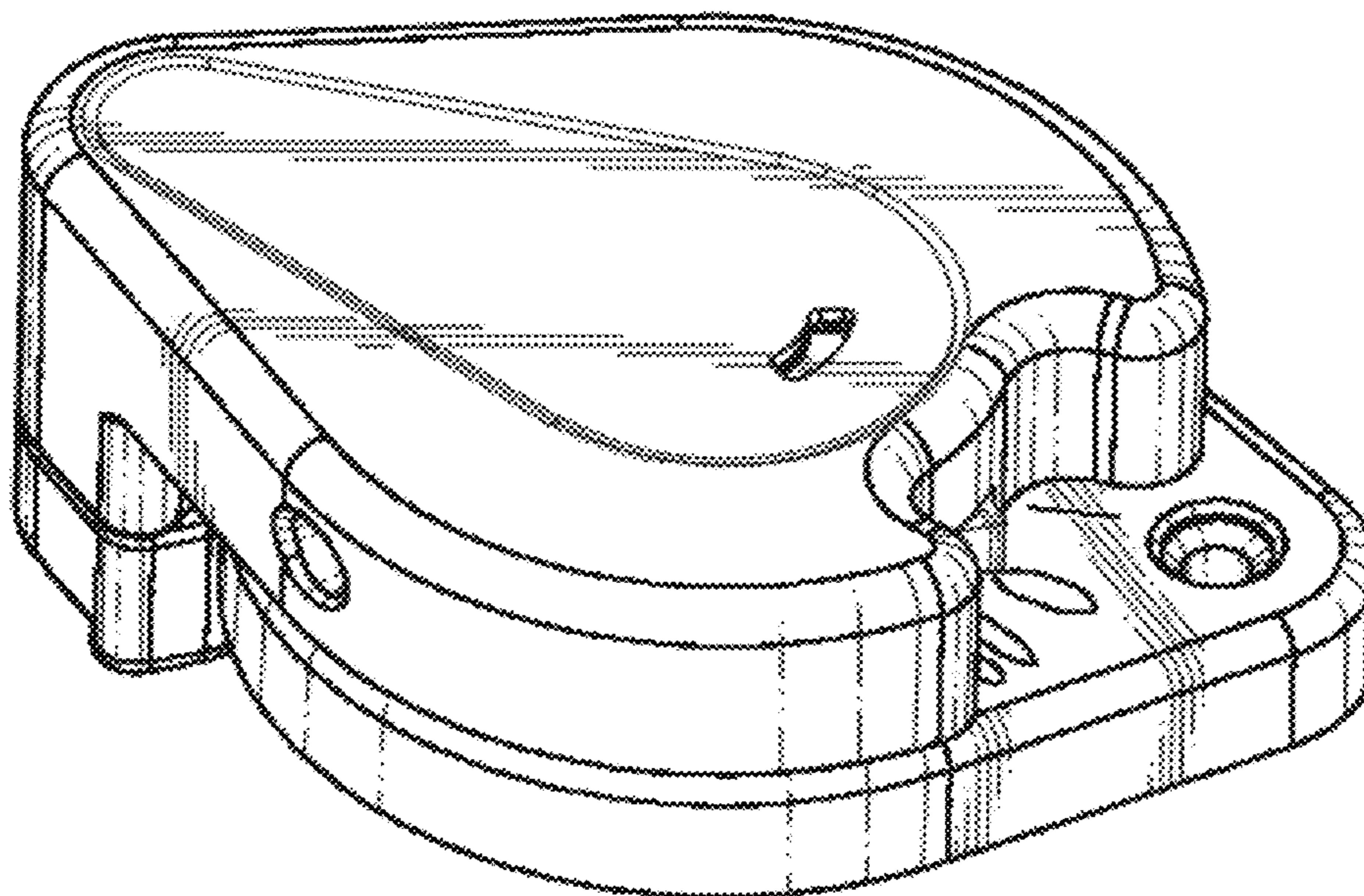
FIG. 5 is front view thereof;

FIG. 6 is rear view thereof; and,

FIG. 7 is bottom view thereof.

The broken lines illustrate portions of the orthosis which form no part of the claimed design.

**1 Claim, 4 Drawing Sheets**





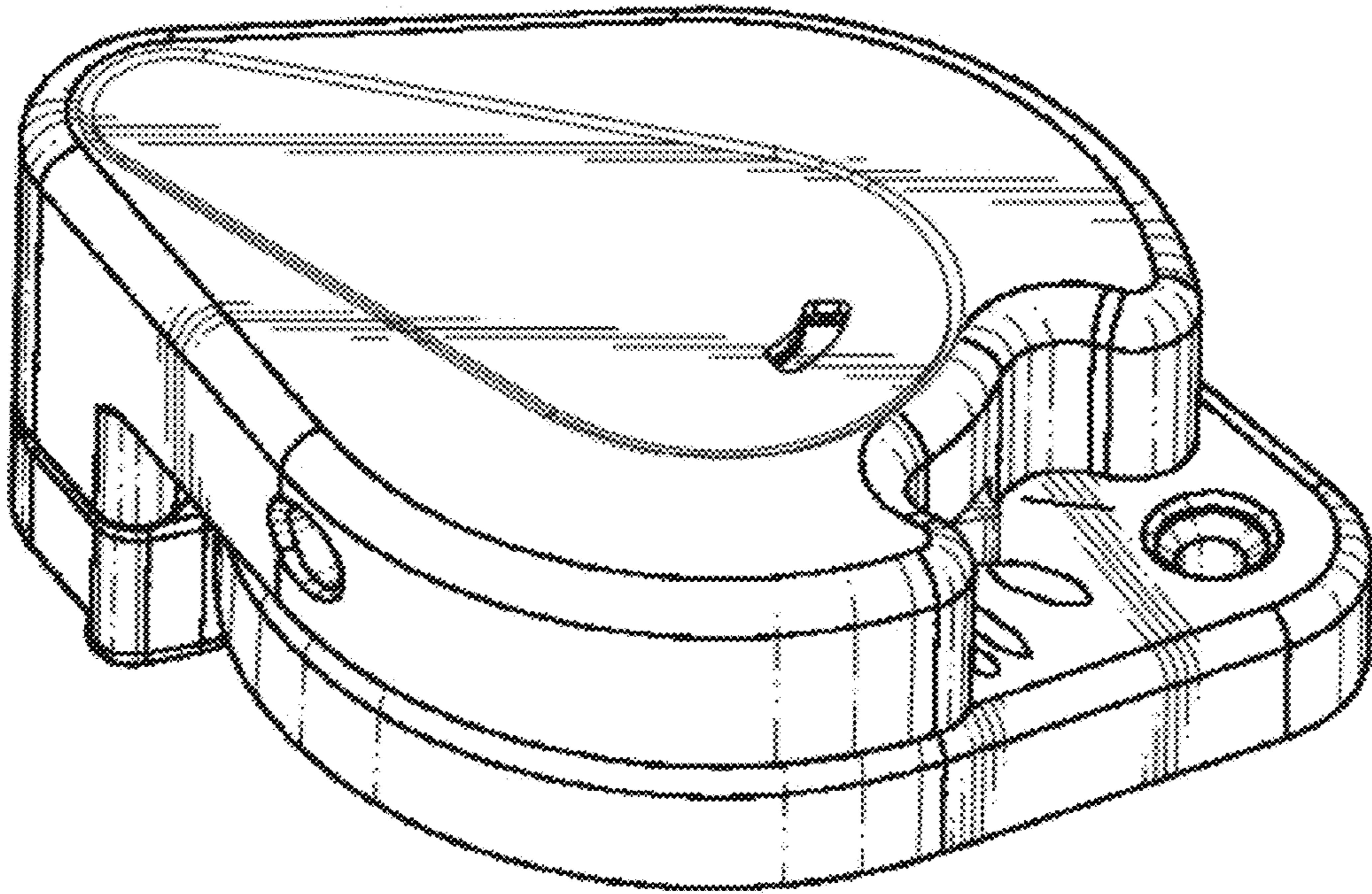


FIG. 1

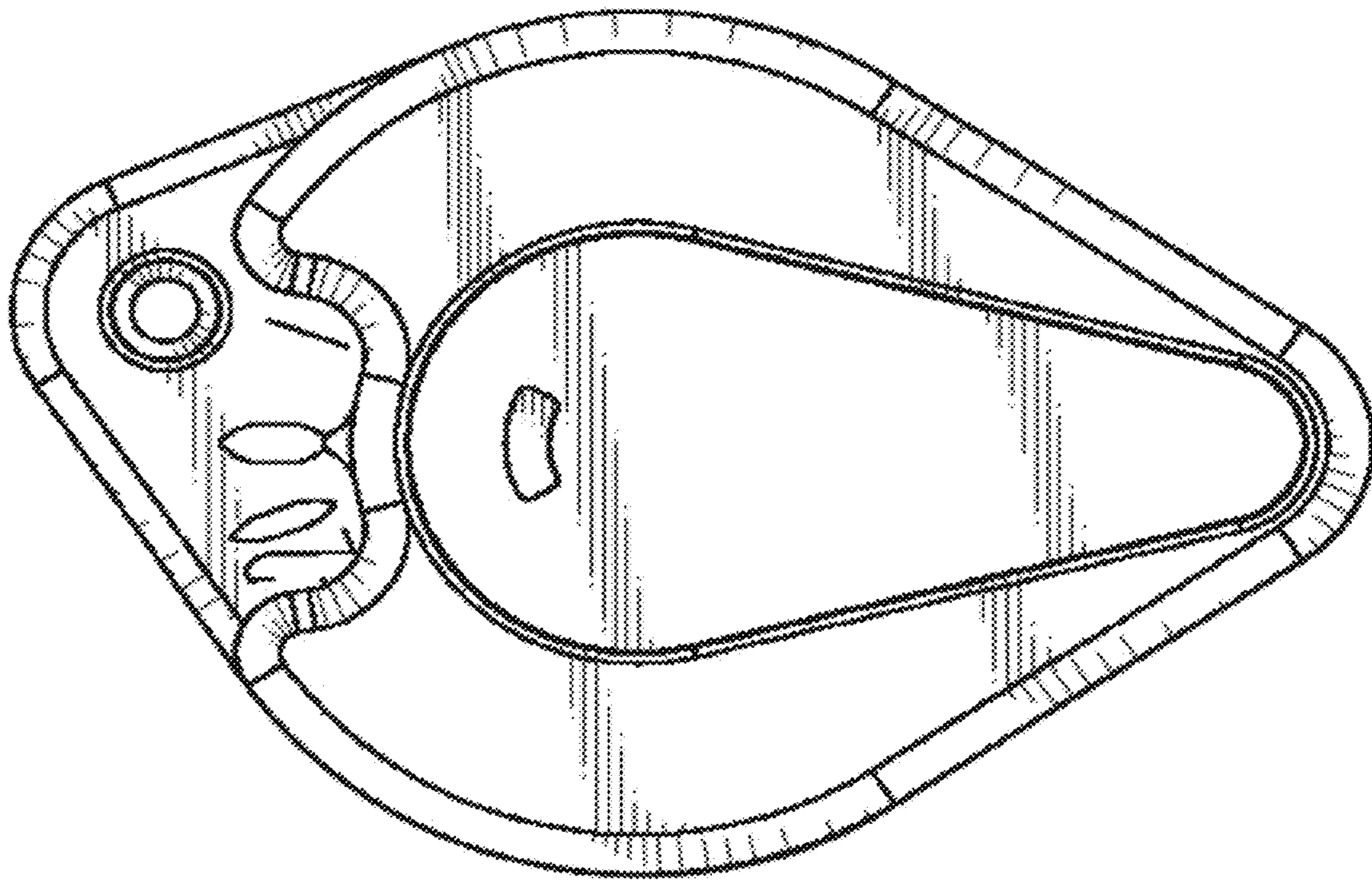


FIG. 2

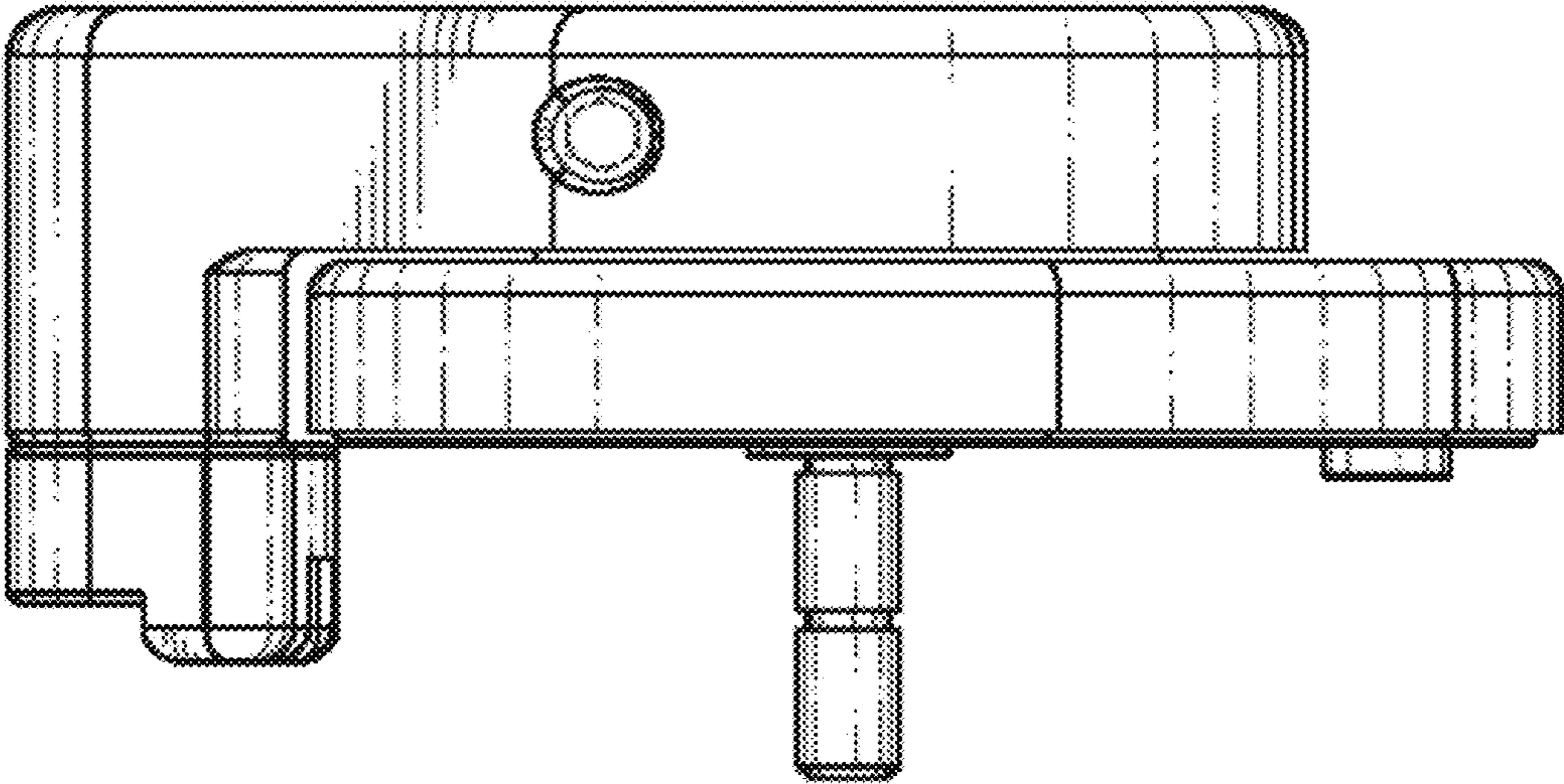


FIG. 3

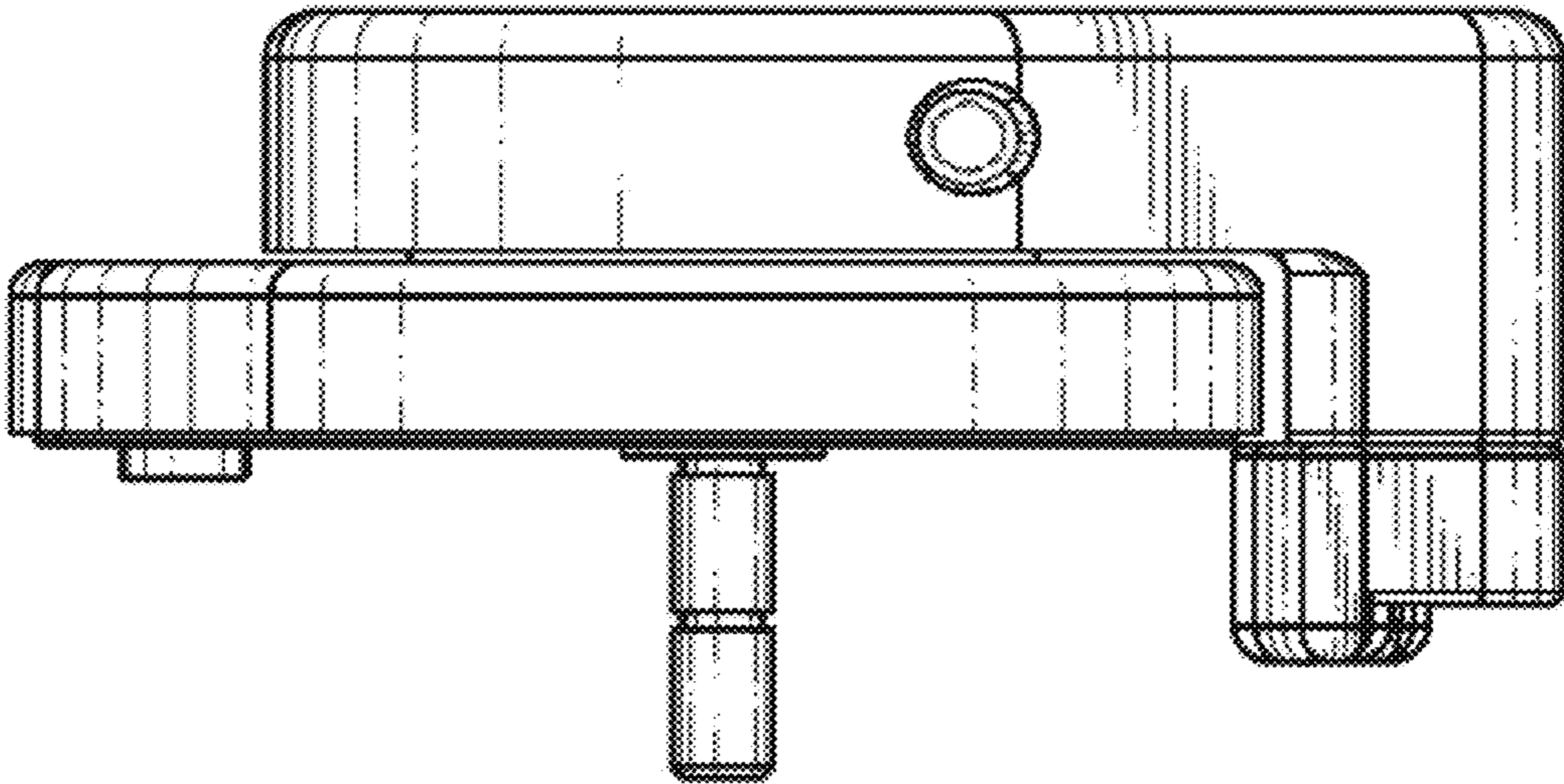


FIG. 4



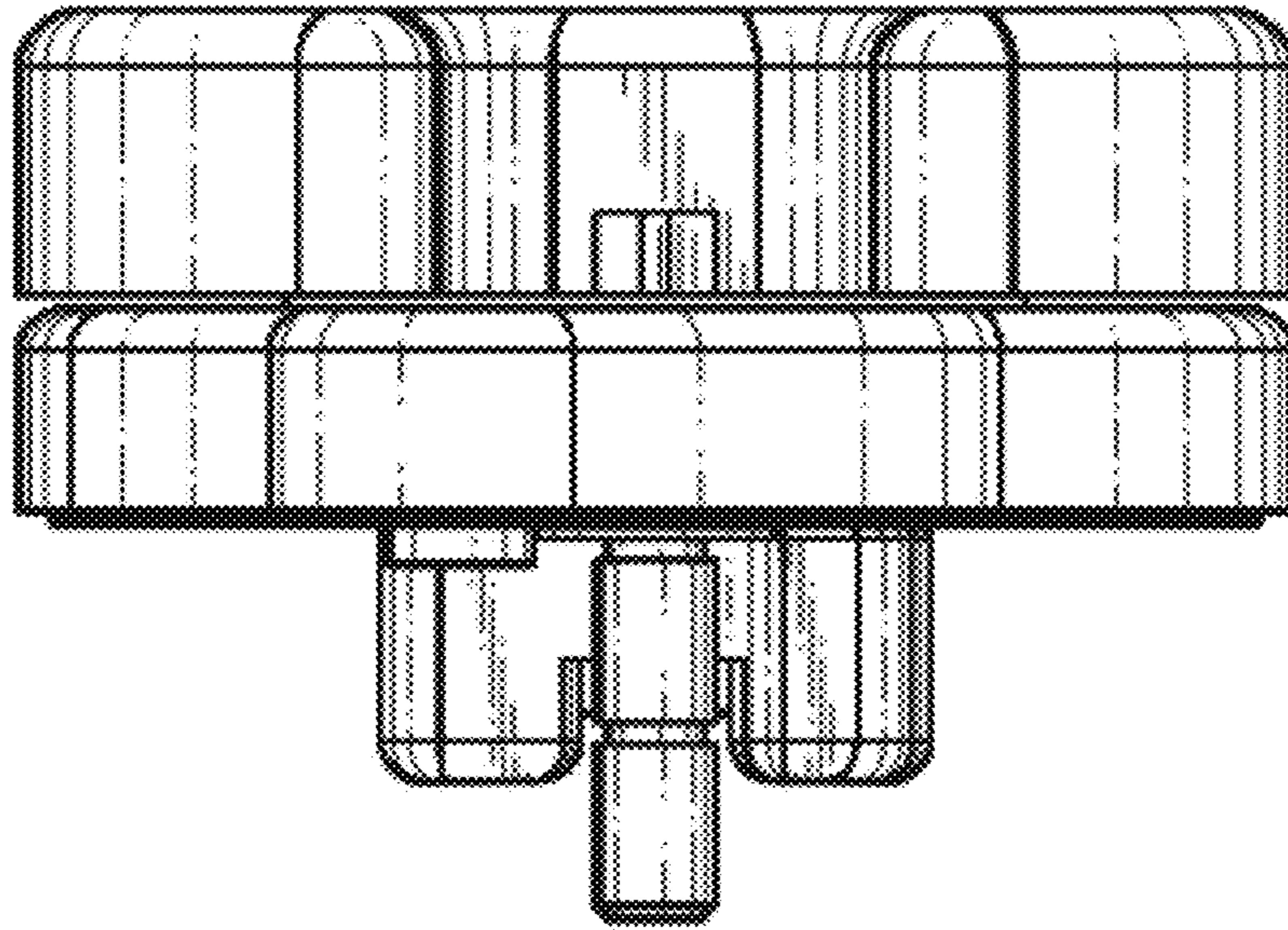


FIG. 5

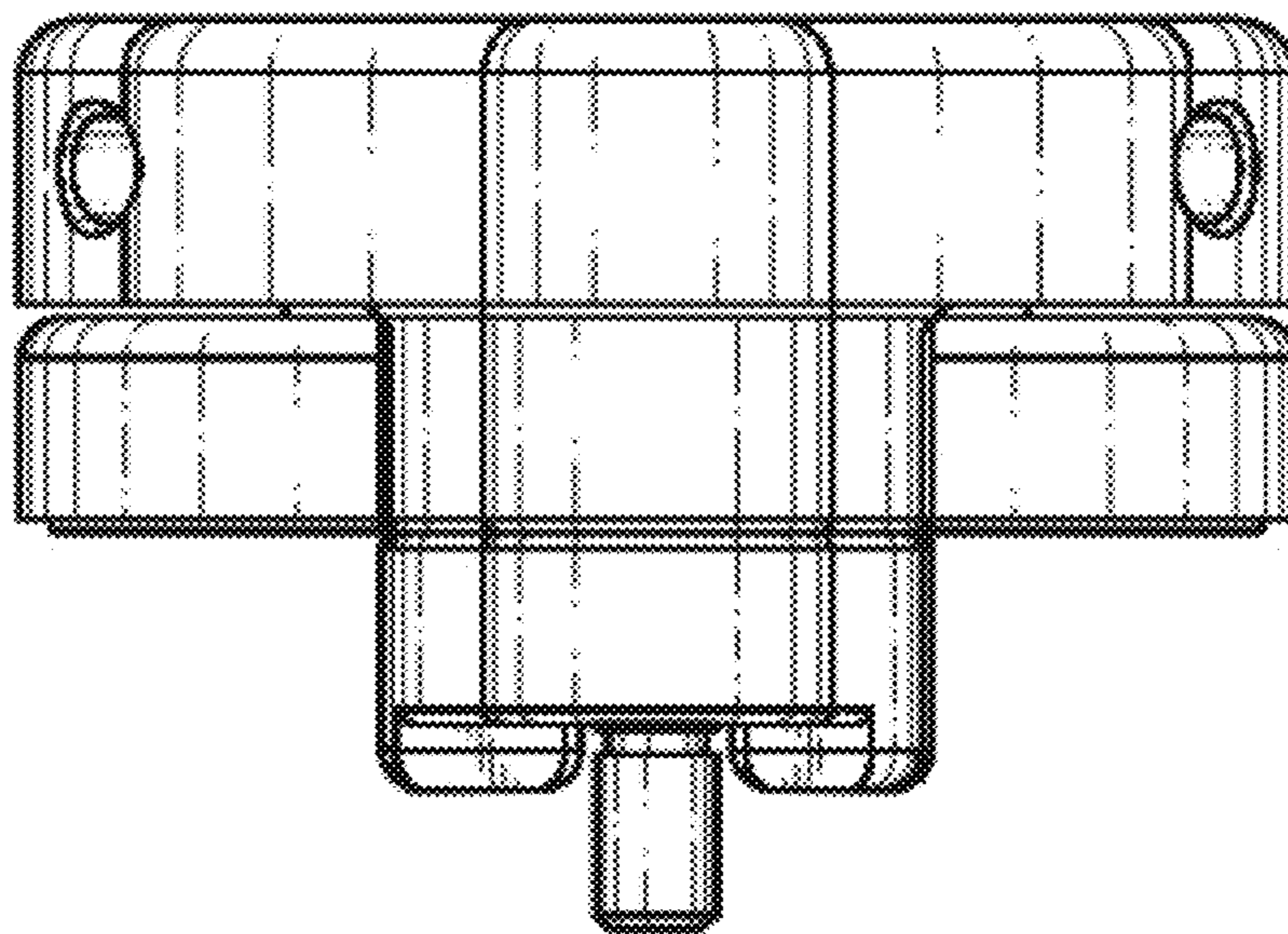


FIG. 6

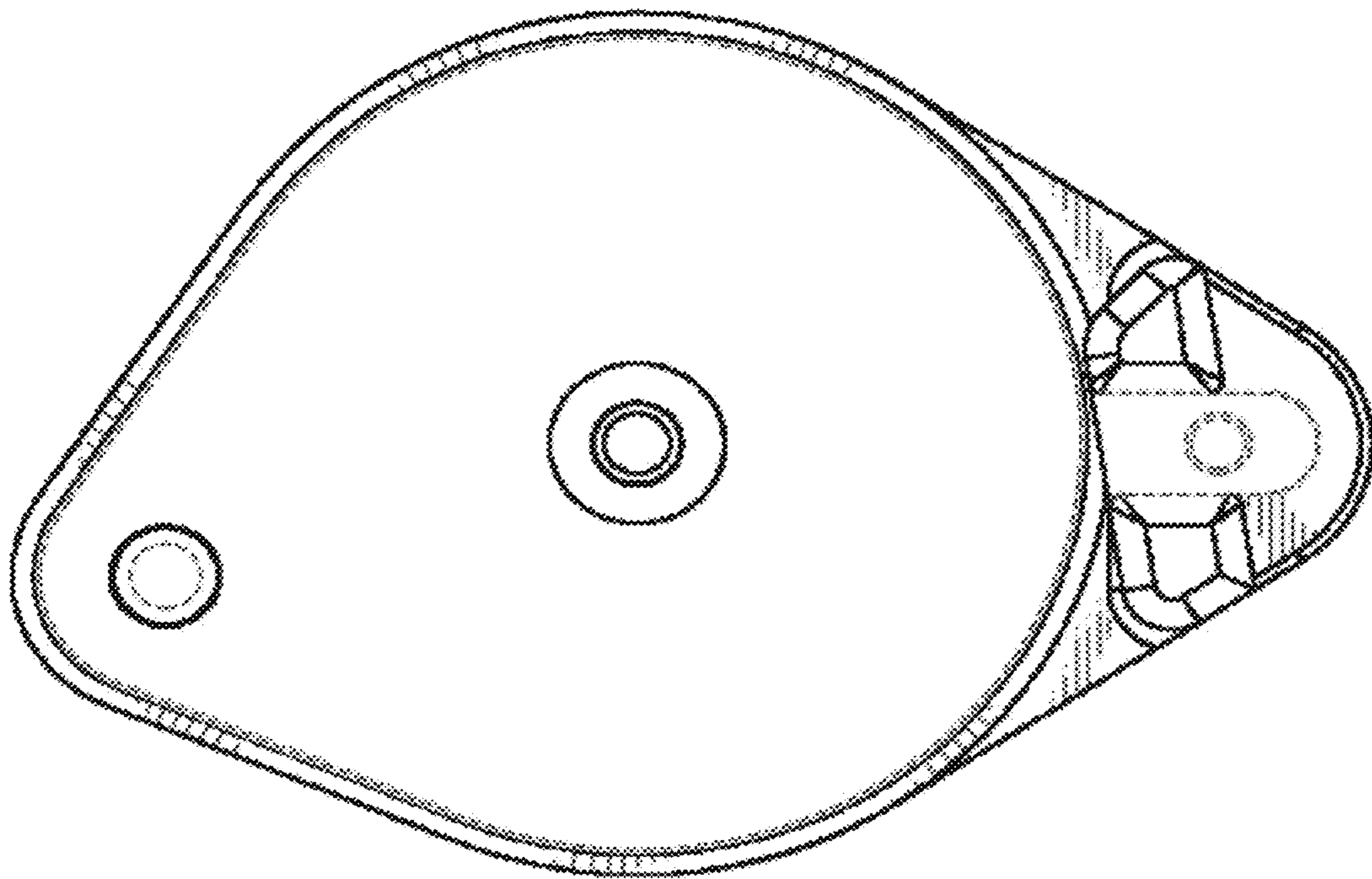


FIG. 7