



US00D660436S

(12) **United States Design Patent**  
**Dupray**

(10) **Patent No.:** **US D660,436 S**

(45) **Date of Patent:** **\*\* May 22, 2012**

(54) **ORTHODONTIC BRACKET**

(75) Inventor: **Dennis J. Dupray**, Golden, CO (US)

(73) Assignee: **RMO, Inc.**, Denver, CO (US)

(\*\*) Term: **14 Years**

(21) Appl. No.: **29/391,894**

(22) Filed: **May 13, 2011**

(51) **LOC (9) Cl.** ..... **24-99**

(52) **U.S. Cl.** ..... **D24/180**

(58) **Field of Classification Search** ..... D24/155-156,  
D24/176, 180; 433/8-18

See application file for complete search history.

(56) **References Cited**

**U.S. PATENT DOCUMENTS**

1,890,487 A	12/1932	Angle
3,028,671 A	4/1962	Berger
3,391,461 A	7/1968	Johnson
3,435,527 A	4/1969	Kesling
3,494,034 A	2/1970	Kesling
3,496,637 A	2/1970	Etengoff
3,504,438 A	4/1970	Wittman et al.
3,526,961 A	9/1970	Kesling
3,765,091 A	10/1973	Northcutt
3,838,514 A	10/1974	Polak
3,854,207 A	12/1974	Wildman
3,874,080 A	4/1975	Wallshein
3,922,787 A	12/1975	Fischer et al.
3,930,311 A	1/1976	Andrews
3,964,156 A	6/1976	Williams et al.
3,969,821 A	7/1976	Lee, Jr. et al.
4,028,809 A	6/1977	Wallshein
4,063,360 A	12/1977	Waller
4,094,068 A	6/1978	Schinhammer
4,103,423 A	8/1978	Kessel
4,134,208 A	1/1979	Pearlman
4,165,561 A	8/1979	Miller et al.
4,172,999 A	10/1979	Leidich
4,193,195 A	3/1980	Merkel et al.
4,197,642 A	4/1980	Wallshein
4,219,617 A	8/1980	Wallshein

D256,950 S	9/1980	Sable
4,242,085 A	12/1980	Wallshein
4,243,386 A	1/1981	Kawaguchi

(Continued)

**FOREIGN PATENT DOCUMENTS**

DE 2534368 2/1977

(Continued)

**OTHER PUBLICATIONS**

“Brinellium—A Harder, Stronger, and More Wettable Form of Aluminum Oxide,” Technical Advances, Materials Technology, Mar./Apr. 1993, vol. 8(3/4), pp. 44-45.

(Continued)

*Primary Examiner* — Wan Laymon

(74) *Attorney, Agent, or Firm* — Sheridan Ross P.C.

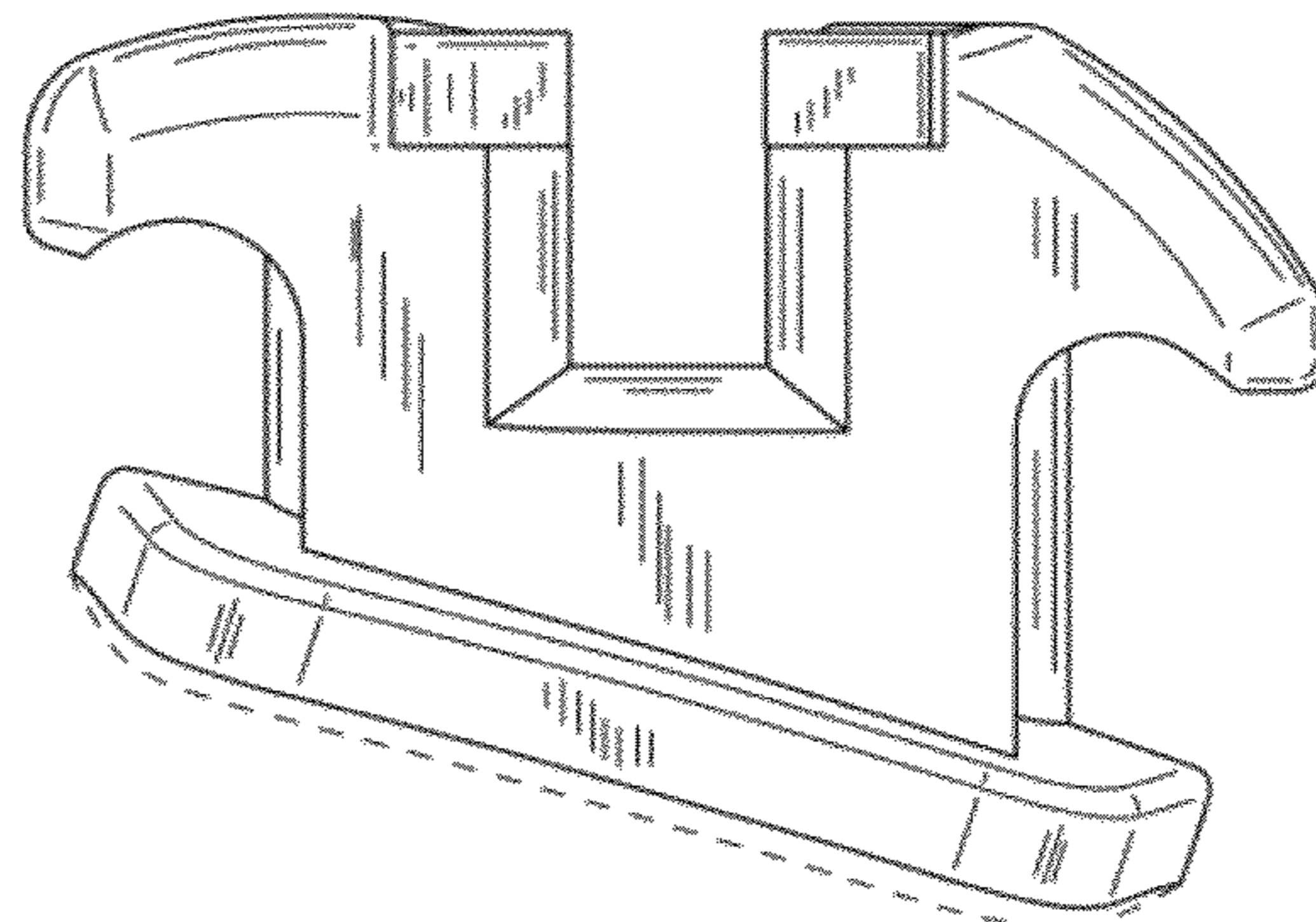
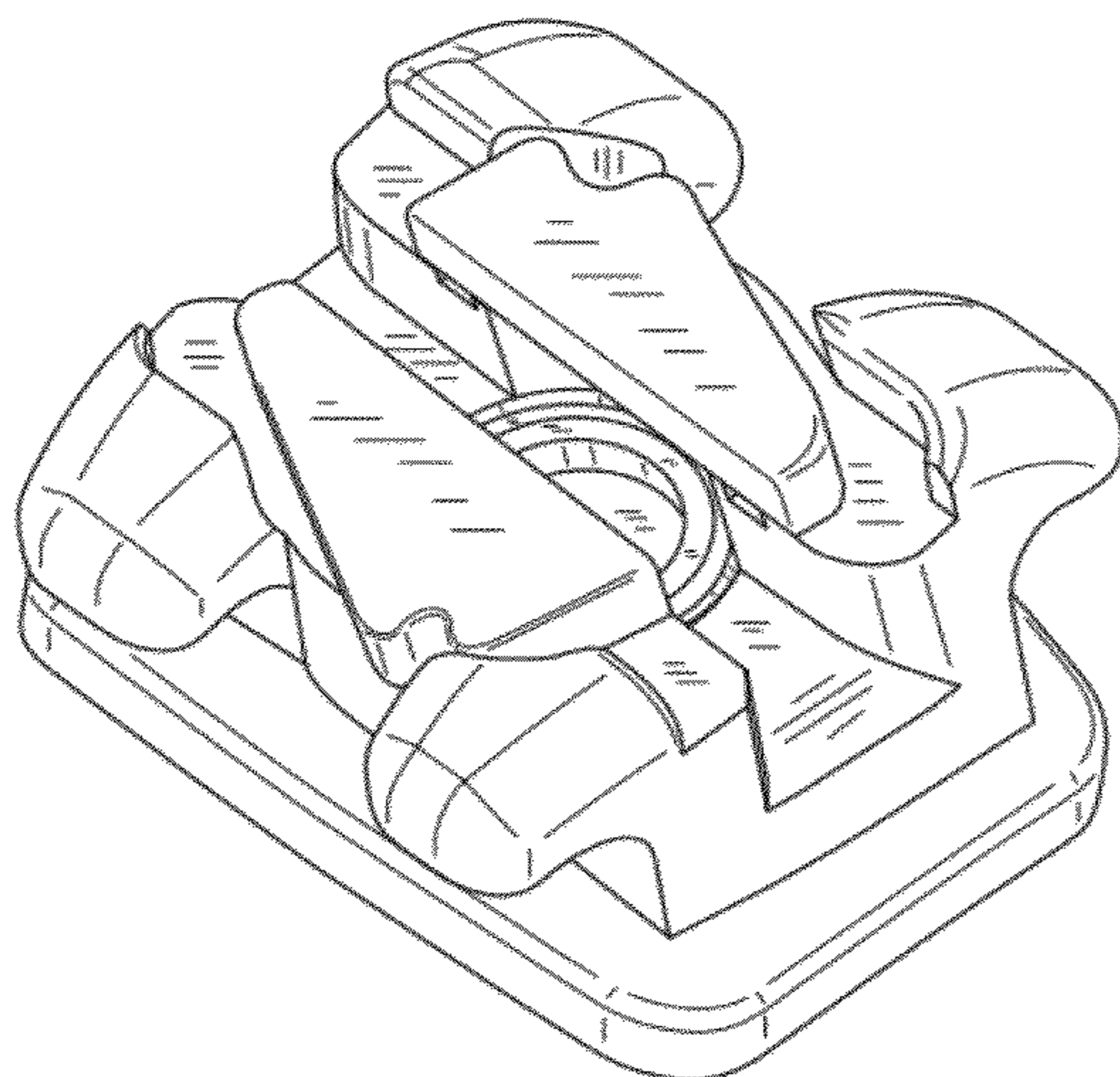
(57) **CLAIM**

The ornamental design for an orthodontic bracket, as shown and described.

**DESCRIPTION**

FIG. 1 is a perspective view of an orthodontic bracket showing the new design;  
FIG. 2 is a top plan view thereof;  
FIG. 3 is a bottom plan view thereof;  
FIG. 4 is a front elevation view thereof;  
FIG. 5 is a rear elevation view thereof;  
FIG. 6 is a left elevation view thereof  
FIG. 7 is a right elevation view thereof;  
FIG. 8 is a top plan view of the orthodontic bracket wherein a swivel clip is shown in a second position of use; and,  
FIG. 9 is a top plan view of the orthodontic bracket wherein the swivel clip is shown in a third position of use.  
The broken lines shown in the figures represent portions of the orthodontic bracket that form no part of the claimed design.

**1 Claim, 9 Drawing Sheets**



# US D660,436 S

U.S. PATENT DOCUMENTS					
4,260,375	A	4/1981 Wallshein	D331,975	S	12/1992 Pospisil
4,299,569	A	11/1981 Frantz	5,203,804	A	4/1993 Nikutowski et al.
4,302,532	A	11/1981 Wallshein	5,226,814	A	7/1993 Allen
4,322,206	A	3/1982 Reynolds	5,230,620	A	7/1993 Watanabe
4,354,834	A	10/1982 Wilson	5,232,361	A	8/1993 Sachdeva et al.
4,386,908	A	6/1983 Kurz	5,238,402	A	8/1993 Rohlcke et al.
4,415,330	A	11/1983 Daisley et al.	5,242,299	A	9/1993 Yoshida
4,419,078	A	12/1983 Pletcher	D340,523	S	10/1993 Barngrover
4,430,061	A	2/1984 Webb et al.	5,252,066	A *	10/1993 Fairhurst ..... 433/8
4,443,190	A	4/1984 Kurz	5,254,002	A	10/1993 Reher et al.
4,478,577	A	10/1984 Warren, Jr.	5,256,062	A	10/1993 Griott
4,487,580	A	12/1984 Ridgeway	5,267,854	A	12/1993 Schmitt
4,498,867	A	2/1985 Kesling	5,267,855	A	12/1993 Tuneberg
4,527,975	A	7/1985 Ghafari et al.	5,269,680	A	12/1993 Kawaguchi
4,529,382	A	7/1985 Creekmore	5,277,581	A	1/1994 Peterson
4,531,911	A	7/1985 Creekmore	5,282,743	A	2/1994 Miura
4,531,991	A	7/1985 Ziemek et al.	5,288,229	A	2/1994 Huff et al.
4,536,154	A	8/1985 Garton, Jr. et al.	5,292,248	A	3/1994 Schultz
4,544,353	A	10/1985 Maurer et al.	5,295,823	A	3/1994 Farzin-Nia
4,545,760	A	10/1985 Forster	5,299,934	A	4/1994 Suyama
4,582,487	A	4/1986 Creekmore	5,302,117	A	4/1994 Kraut et al.
4,604,057	A	8/1986 Viglietti	5,302,121	A	4/1994 Gagin
4,626,209	A	12/1986 Tsai et al.	5,318,440	A	6/1994 Adam et al.
4,639,218	A *	1/1987 Jones et al. .... 433/8	5,320,525	A	6/1994 Forster
4,659,309	A	4/1987 Merkel	5,320,526	A	6/1994 Tuneberg
4,661,059	A	4/1987 Kanno	5,322,435	A	6/1994 Pletcher
D290,040	S	5/1987 Kelly	5,362,232	A	11/1994 Franseen et al.
4,669,981	A	6/1987 Kurz	5,362,233	A	11/1994 Thompson
4,681,538	A *	7/1987 DeLuca et al. .... 433/9	5,376,002	A	12/1994 Andreiko
D291,919	S	9/1987 Reynolds	D358,649	S	5/1995 Moschik
4,712,999	A	12/1987 Rosenberg	D358,650	S	5/1995 Moschik
4,717,341	A	1/1988 Goldberg et al.	D359,776	S	6/1995 Hilgers
4,735,569	A	4/1988 Munk	5,425,640	A	6/1995 Scharf
4,752,221	A	6/1988 Hanson et al.	5,441,408	A	8/1995 Moschik
4,773,853	A	9/1988 Kussick	5,441,409	A	8/1995 Tuneberg
4,781,334	A	11/1988 Derichs	5,443,384	A	8/1995 Franseen et al.
4,781,582	A	11/1988 Kesling	5,454,716	A	10/1995 Banerjee et al.
4,793,804	A	12/1988 Schudy	5,456,599	A	10/1995 Hanson
4,799,882	A	1/1989 Kesling	5,470,228	A	11/1995 Franseen et al.
4,819,316	A	4/1989 Rossini et al.	5,522,725	A	6/1996 Jordan et al.
4,820,151	A	4/1989 Pospisil	5,556,277	A	9/1996 Yawata et al.
4,838,786	A	6/1989 Reher et al.	5,588,833	A	12/1996 Risse
4,842,512	A	6/1989 Kesling	5,595,484	A	1/1997 Orikasa et al.
4,854,866	A	8/1989 Wilson	5,597,302	A	1/1997 Pospisil et al.
4,859,179	A	8/1989 Kesling	5,607,301	A	3/1997 Roman
4,902,224	A	2/1990 Collins et al.	5,616,026	A	4/1997 Cash
4,917,602	A	4/1990 Broussard	5,618,174	A	4/1997 Mors
4,927,362	A	5/1990 Snead	5,618,175	A	4/1997 Reher et al.
4,936,773	A	6/1990 Kawaguchi	5,622,494	A	4/1997 Andreiko et al.
4,954,080	A	9/1990 Kelly et al.	5,653,588	A	8/1997 Moschik
4,963,092	A	10/1990 Snead	5,685,711	A	11/1997 Hanson
4,975,052	A	12/1990 Spencer et al.	5,692,898	A	12/1997 Orikasa et al.
4,988,293	A *	1/1991 Collins et al. .... 433/8	5,707,231	A	1/1998 Watt et al.
4,997,182	A	3/1991 Kussick	5,711,666	A *	1/1998 Hanson ..... 433/11
5,011,403	A	4/1991 Sadoun et al.	5,727,941	A	3/1998 Kesling
5,022,854	A	6/1991 Broughton et al.	5,729,768	A	3/1998 Fields et al.
5,030,089	A	7/1991 Kawaguchi	5,746,592	A	5/1998 Nezu et al.
5,044,945	A	9/1991 Peterson	5,746,594	A	5/1998 Jordan et al.
5,057,012	A	10/1991 Kesling	RE35,863	E	7/1998 Sachdeva et al.
5,059,119	A	10/1991 Snead	5,779,470	A	7/1998 Kussick
5,062,794	A	11/1991 Miura	5,810,583	A	9/1998 Doyle
5,066,225	A	11/1991 Forbes Jones et al.	5,816,801	A *	10/1998 Farzin-Nia et al. .... 433/8
5,067,897	A	11/1991 Tuneberg	5,829,972	A	11/1998 Farzin-Nia
D322,482	S	12/1991 Ianieri et al.	5,857,849	A	1/1999 Kurz
5,071,344	A	12/1991 Wong et al.	5,871,350	A	2/1999 Clark et al.
5,078,596	A	1/1992 Carberry et al.	5,885,073	A	3/1999 Kussick
5,095,602	A	3/1992 Reher et al.	5,885,074	A	3/1999 Hanson
5,098,288	A	3/1992 Kesling	5,890,891	A	4/1999 Doyle
5,125,831	A	6/1992 Pospisil	5,908,293	A	6/1999 Voudouris
5,125,832	A	6/1992 Kesling	5,915,550	A	6/1999 Gartz
5,127,828	A	7/1992 Suyama	6,053,729	A	4/2000 Brehm et al.
5,133,740	A	7/1992 Kussick	6,086,364	A	7/2000 Brunson
5,145,365	A *	9/1992 Farzin-Nia et al. .... 433/8	6,109,916	A	8/2000 Wilcko et al.
5,151,028	A	9/1992 Snead	6,126,441	A	10/2000 Tenti
5,154,607	A	10/1992 Hanson	6,190,165	B1	2/2001 Andreiko et al.
5,158,452	A	10/1992 Franseen et al.	6,193,508	B1	2/2001 Georgakis
5,160,261	A	11/1992 Peterson	6,206,690	B1	3/2001 Vargas
5,161,969	A	11/1992 Pospisil et al.	6,217,322	B1	4/2001 Kesling
			6,220,857	B1	4/2001 Abels

# US D660,436 S

Page 3

6,227,849	B1	5/2001	Brehm et al.	
6,264,469	B1	7/2001	Moschik	
6,280,185	B1	8/2001	Palmer et al.	
6,347,939	B2	2/2002	Abels	
6,394,798	B1	5/2002	Huff et al.	
6,428,314	B1	8/2002	Jones, Jr. et al.	
6,461,157	B1	10/2002	Kussick	
6,478,579	B1	11/2002	Brusse	
6,491,519	B1	12/2002	Clark et al.	
6,607,383	B2	8/2003	Abels et al.	
6,616,445	B2	9/2003	Abels et al.	
6,655,957	B2	12/2003	Abels et al.	
6,655,958	B2	12/2003	Abels et al.	
6,656,767	B1	12/2003	King et al.	
6,659,766	B2	12/2003	Abels et al.	
6,659,767	B2	12/2003	Abels et al.	
6,695,612	B2	2/2004	Abels et al.	
6,705,862	B2	3/2004	Schultz	
6,709,268	B2	3/2004	Pospisil et al.	
6,733,286	B2	5/2004	Abels et al.	
6,776,613	B2	8/2004	Orikasa	
6,846,178	B2	1/2005	Freeman, Jr. et al.	
D504,950	S *	5/2005	Lai et al. ....	D24/180
6,893,257	B2	5/2005	Kelly	
6,910,884	B2	6/2005	Kelly et al.	
6,913,459	B2	7/2005	Fukutomi	
7,025,591	B1	4/2006	Kesling	
7,033,171	B2	4/2006	Wilkerson	
7,192,274	B2 *	3/2007	Stadtmiller et al. ....	433/8
7,210,927	B2	5/2007	Abels et al.	
7,234,935	B2	6/2007	Abels et al.	
7,481,651	B2 *	1/2009	Sernetz et al. ....	433/10
7,695,277	B1	4/2010	Stevens	
7,959,437	B2	6/2011	Zakhem et al.	
8,033,824	B2 *	10/2011	Oda et al. ....	433/11
2002/0110778	A1	8/2002	Abels et al.	
2002/0187452	A1	12/2002	Abels et al.	
2003/0049582	A1	3/2003	Abels et al.	
2005/0003320	A1	1/2005	Freeman et al.	
2005/0244777	A1	11/2005	Schultz	
2006/0046224	A1	3/2006	Sondhi et al.	
2007/0264606	A1	11/2007	Muha	
2008/0081310	A1	4/2008	Smith et al.	

2008/0160474	A1	7/2008	Wolf et al.	
2010/0151403	A1 *	6/2010	Tuneberg et al. ....	433/10
2010/0178629	A1 *	7/2010	Oda et al. ....	433/14

## FOREIGN PATENT DOCUMENTS

DE	2903768	8/1980
DE	8903611	8/1990
DE	69228472	10/1999
EP	0317098	5/1989
EP	0379668	8/1990
EP	0389223	9/1990
EP	0397533	11/1990
EP	0577398	6/1993
EP	0588961	3/1994
EP	0875211	11/1998
EP	1332727	8/2003
EP	1359859	11/2003
ES	2130174	7/1999
FR	2497657	7/1982
JP	64-25847	1/1989
JP	01-160547	6/1989
JP	02-147112	6/1990
JP	03-21236	1/1991
JP	2579431	2/1997
JP	11-276504	10/1999
WO	WO 91/07925	6/1991
WO	WO 92/20296	11/1992
WO	WO 2004/039276	5/2004

## OTHER PUBLICATIONS

“Direct Bond Tubes,” American Orthodontics, date unknown, p. 76.

“Focus on Brackets,” Orthodontic Products, Mar. 2005, pp. 1-2.

3M Unitek Corporation Catalog, 1990, pp. 1-1, 1-3, 3-7, Figs. A, B.

Milewski, John V., “Efficient Use of Whiskers in the Reinforcement of Ceramics,” Advanced Ceramics, vol. 1(1), 1986, pp. 36-41.

Ortho Organizers, Inc. Advertisement, “The Supreme™ Mini-Twin ®,” Journal of Clinical Orthodontics, Sep. 1989, 3 pages.

Ricketts, “Provocations and Perceptions in Cranio-Facial Orthopedics,” RMO, Inc., Denver, CO, USA, 1989, cover and pp. 982-1021.

\* cited by examiner

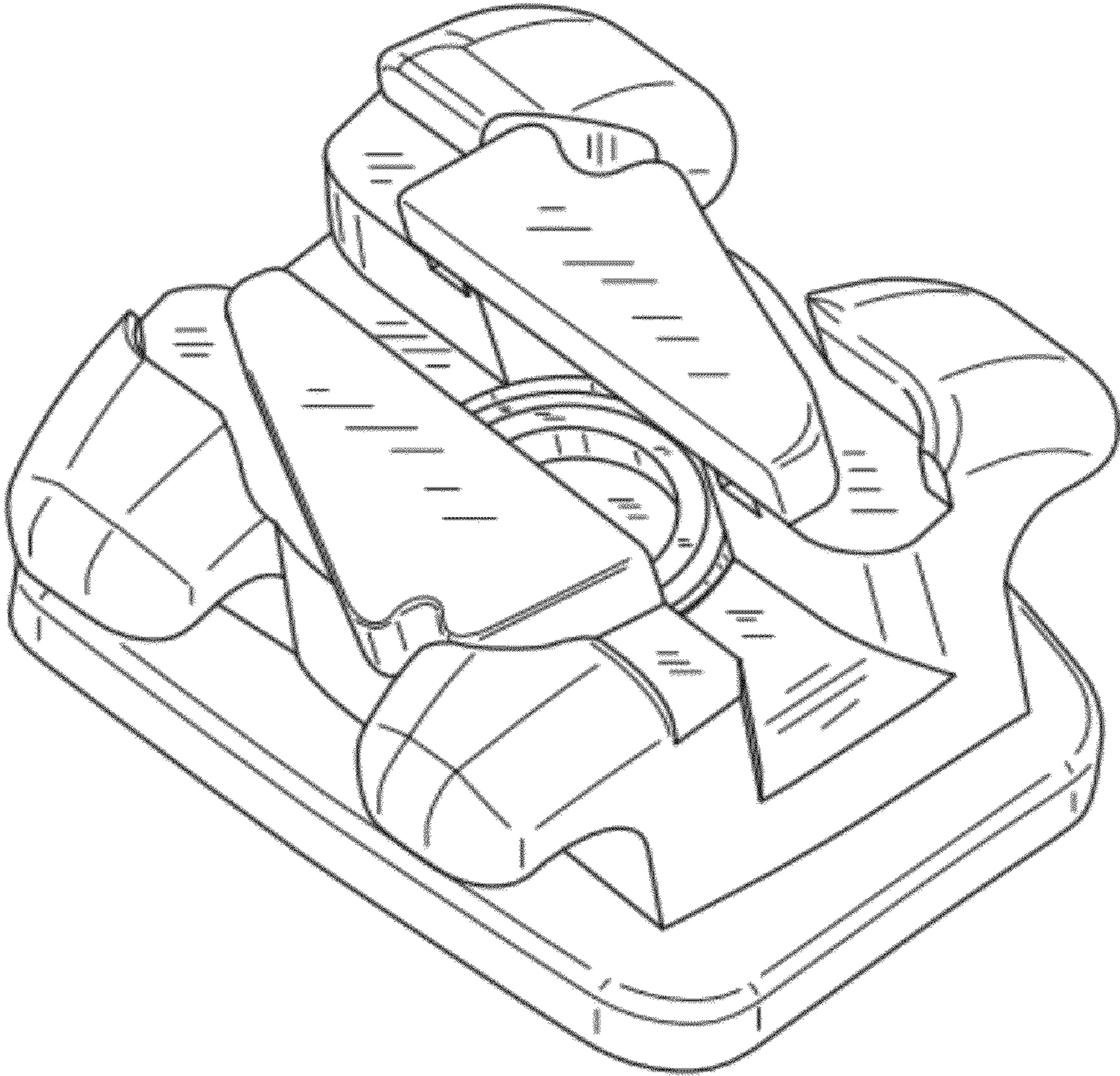


FIG. 1

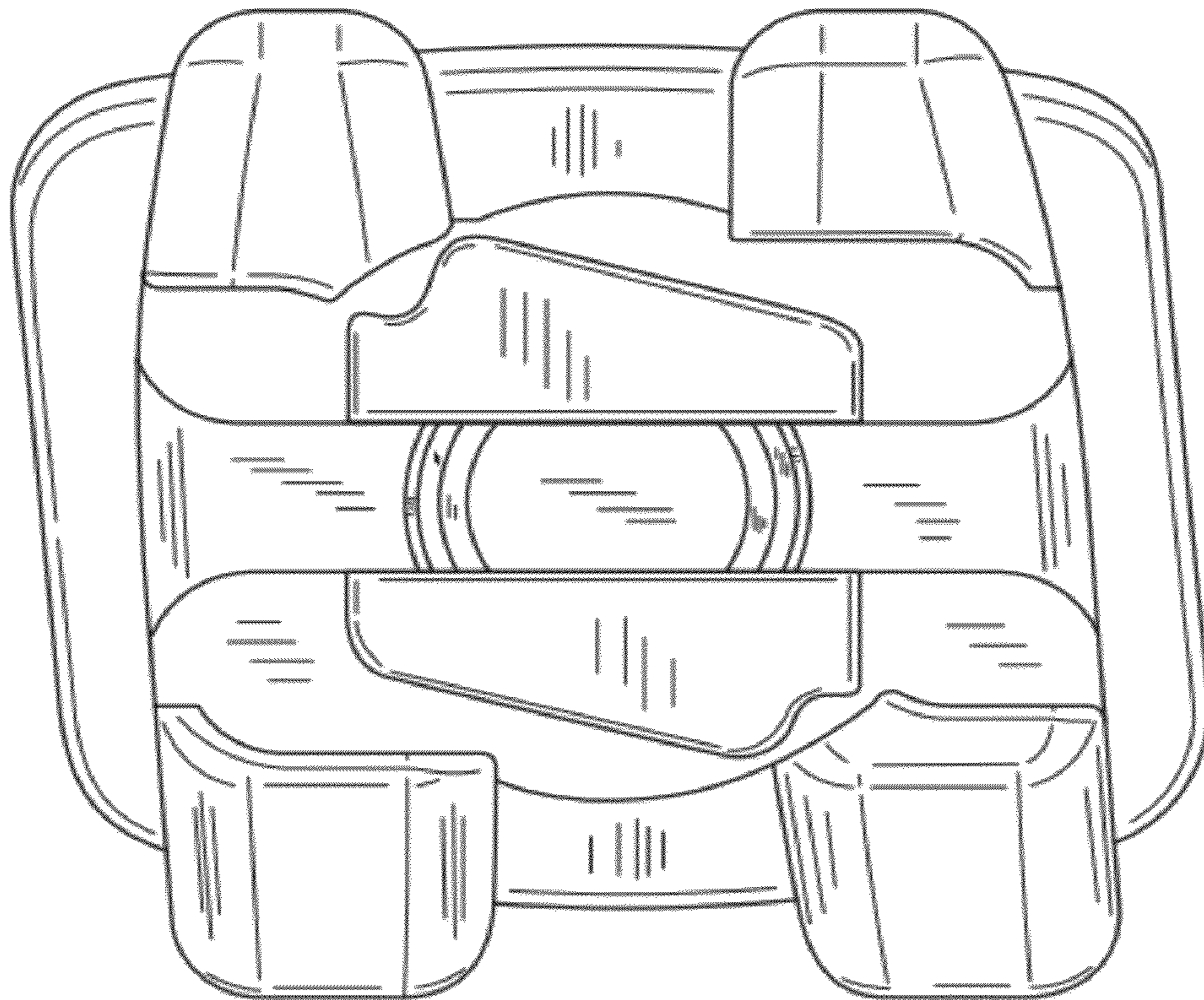


FIG.2

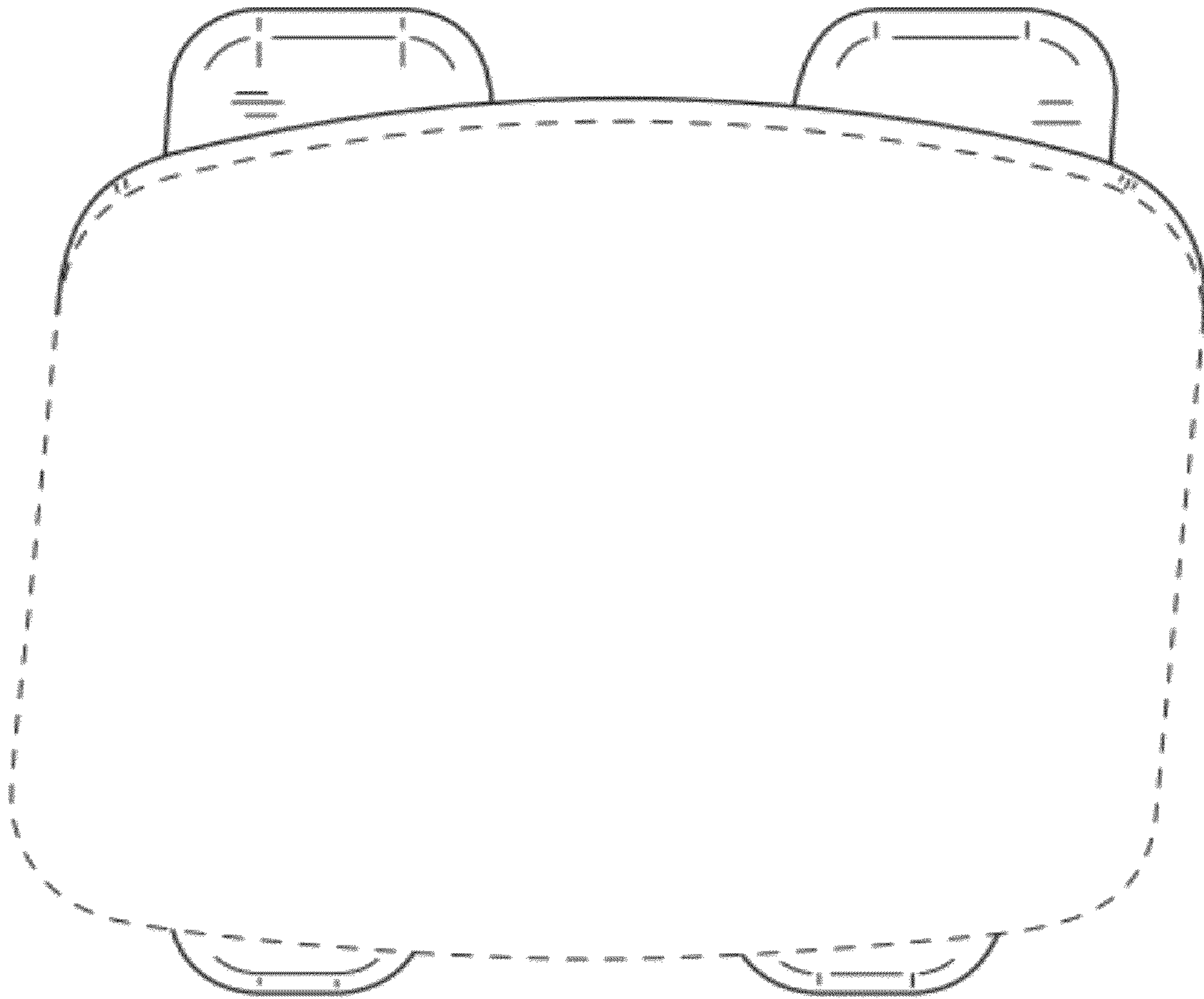


FIG.3

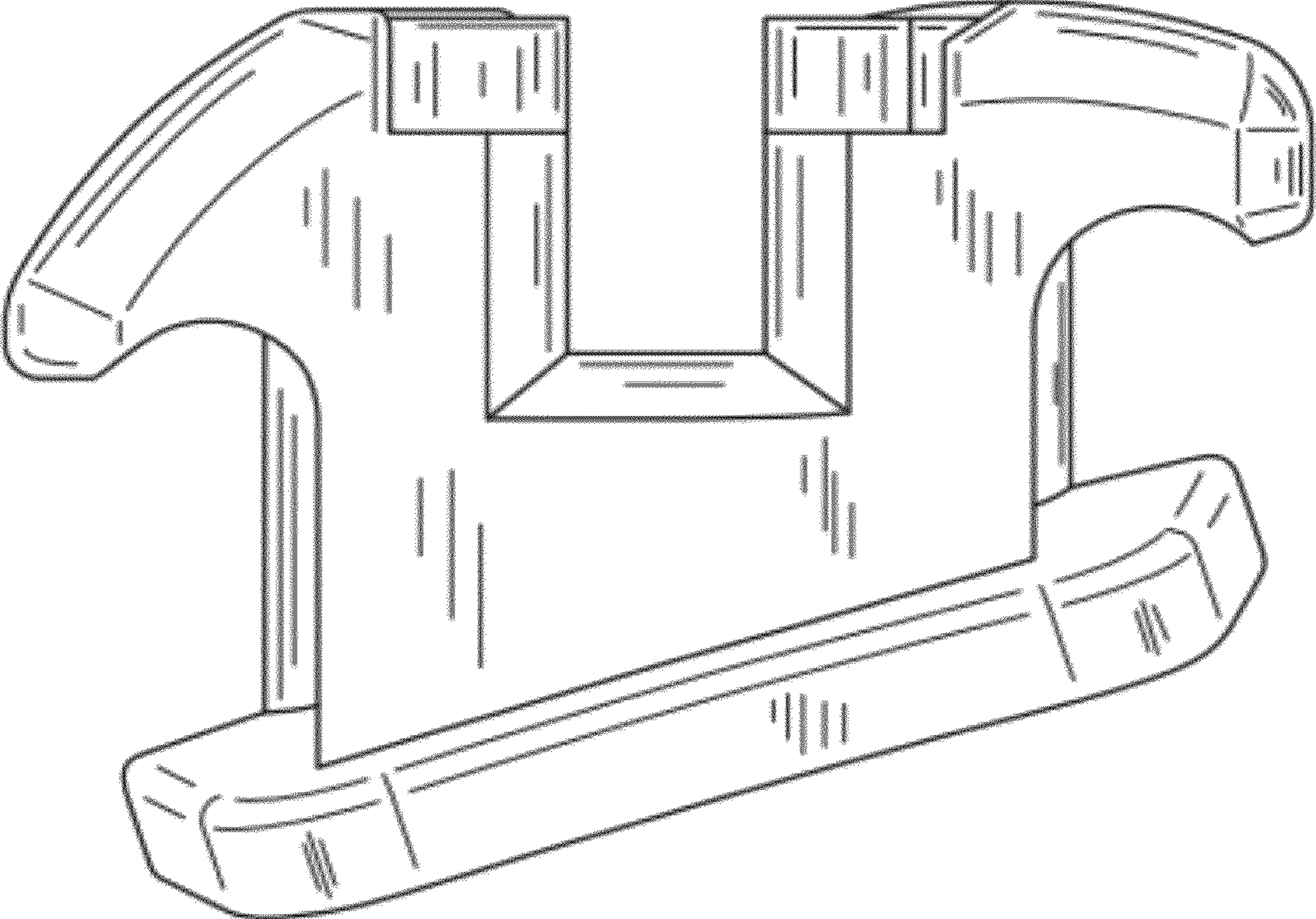


FIG.4

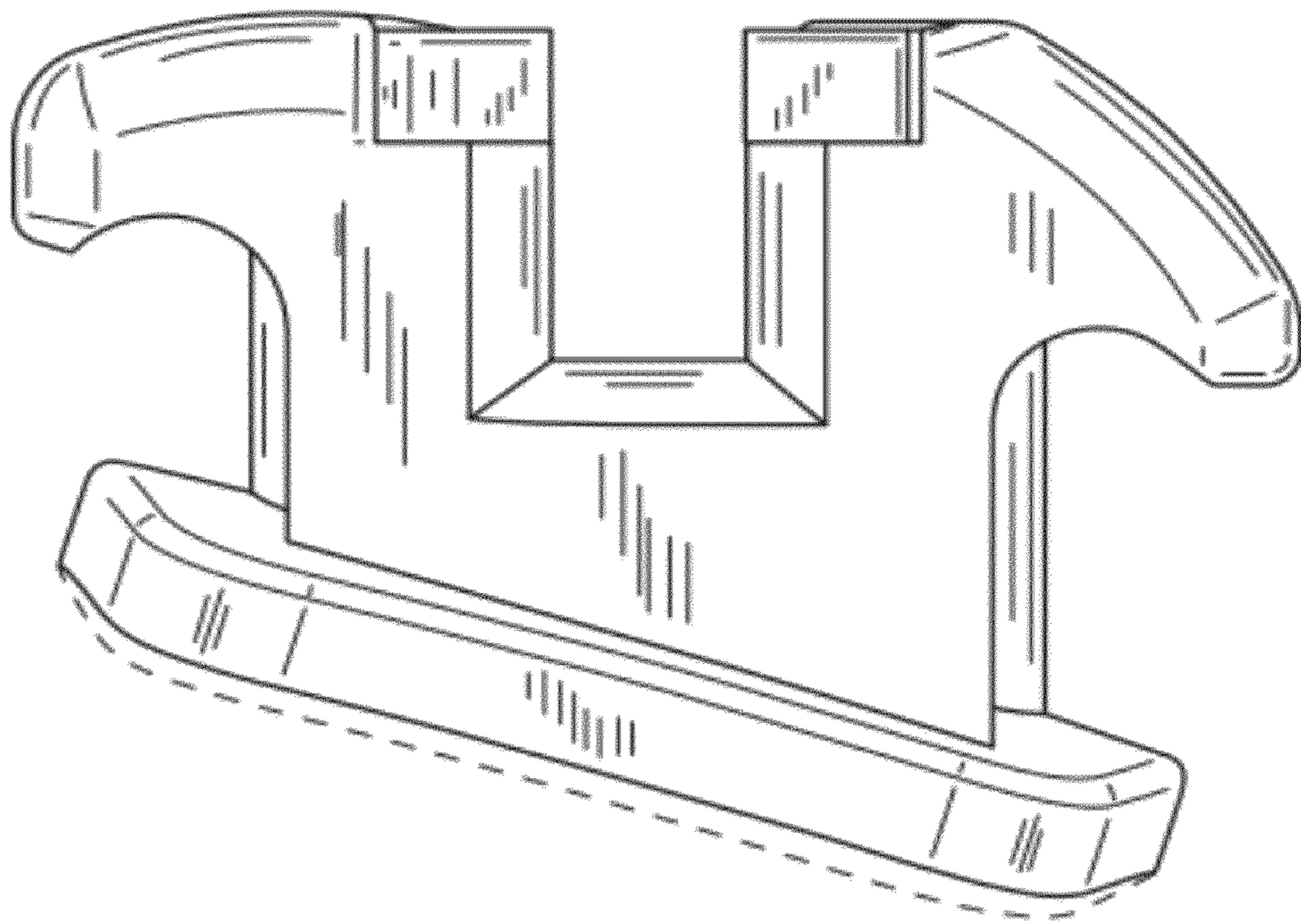


FIG.5



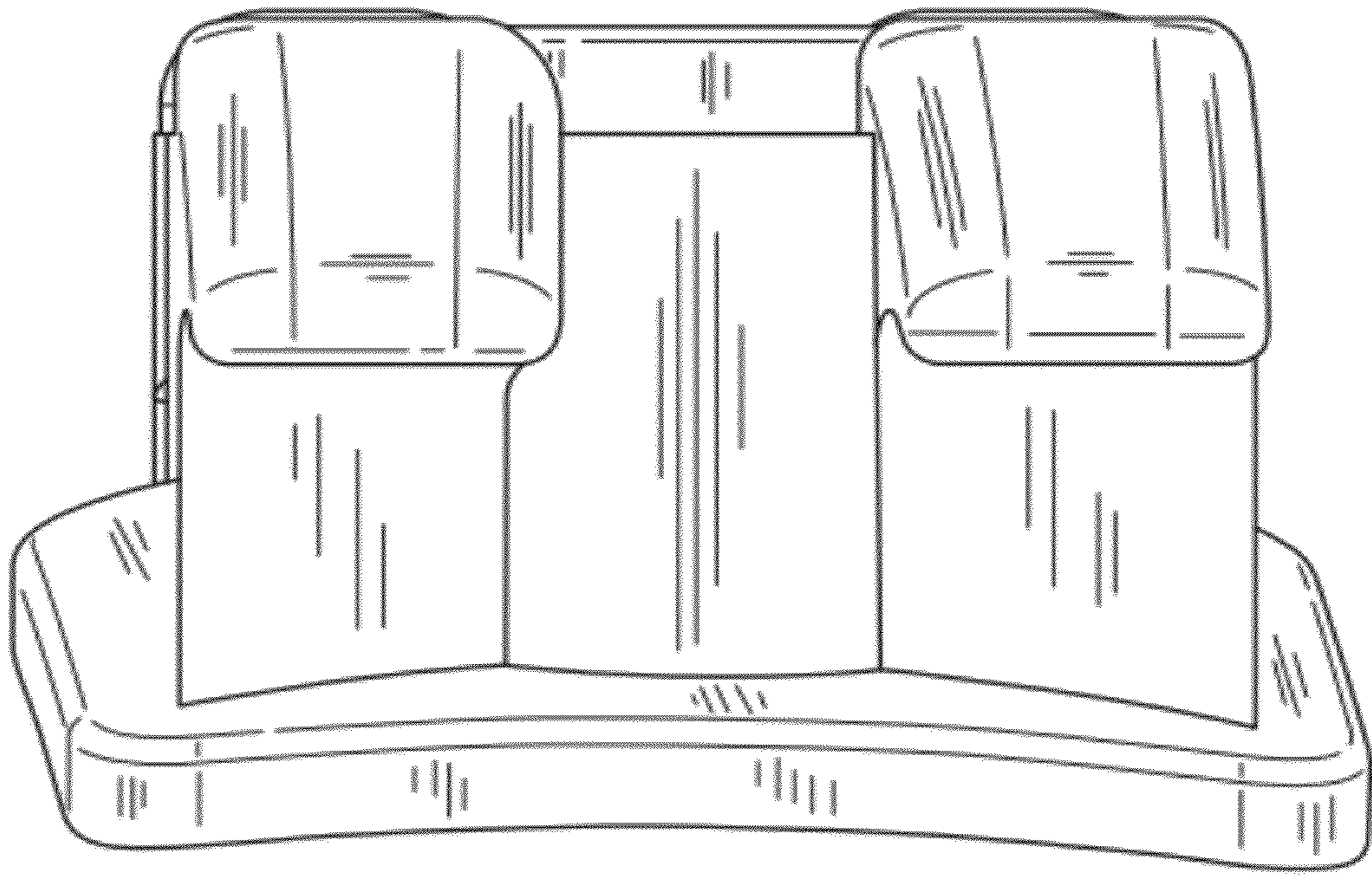


FIG.6

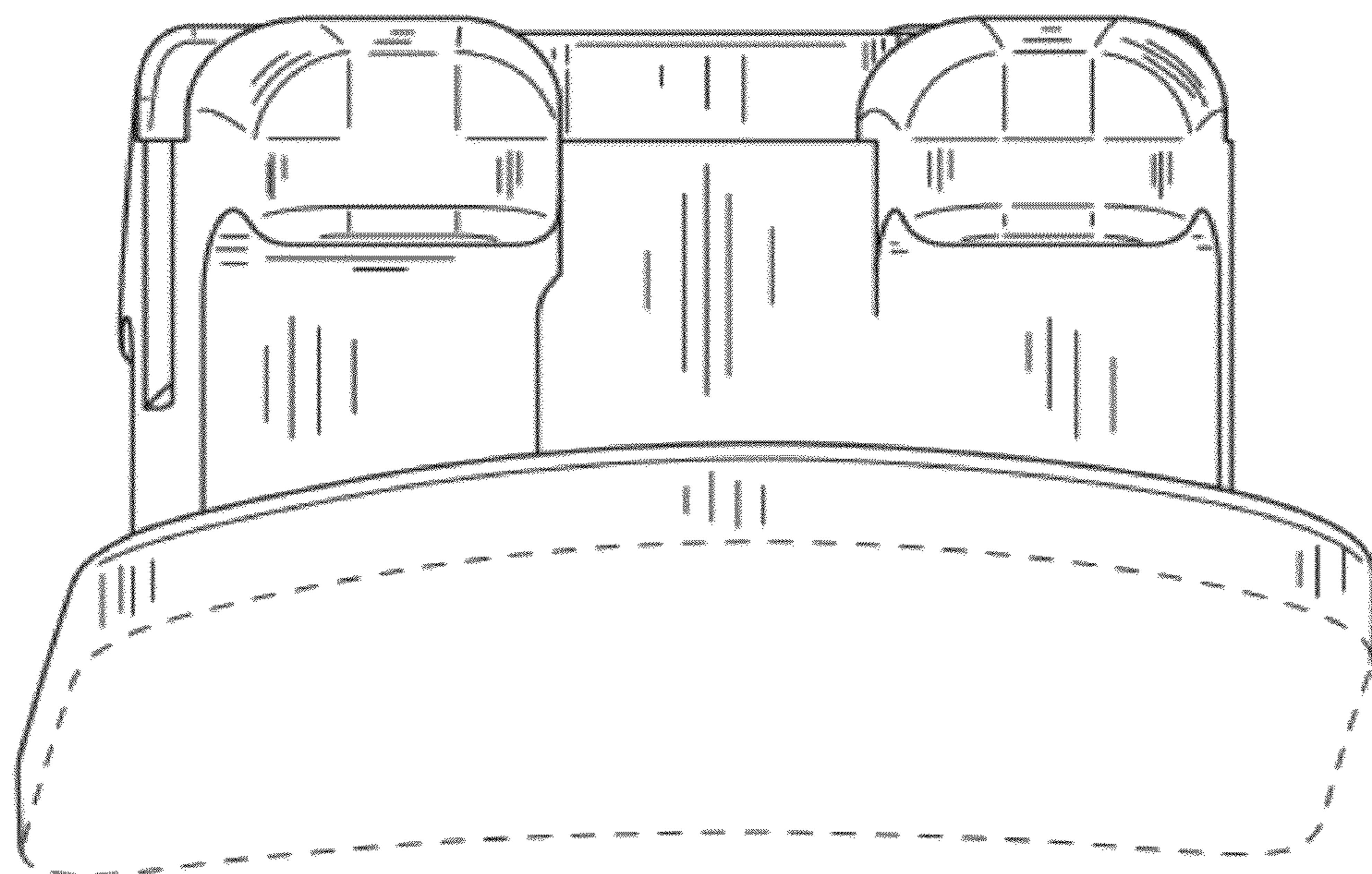


FIG. 7

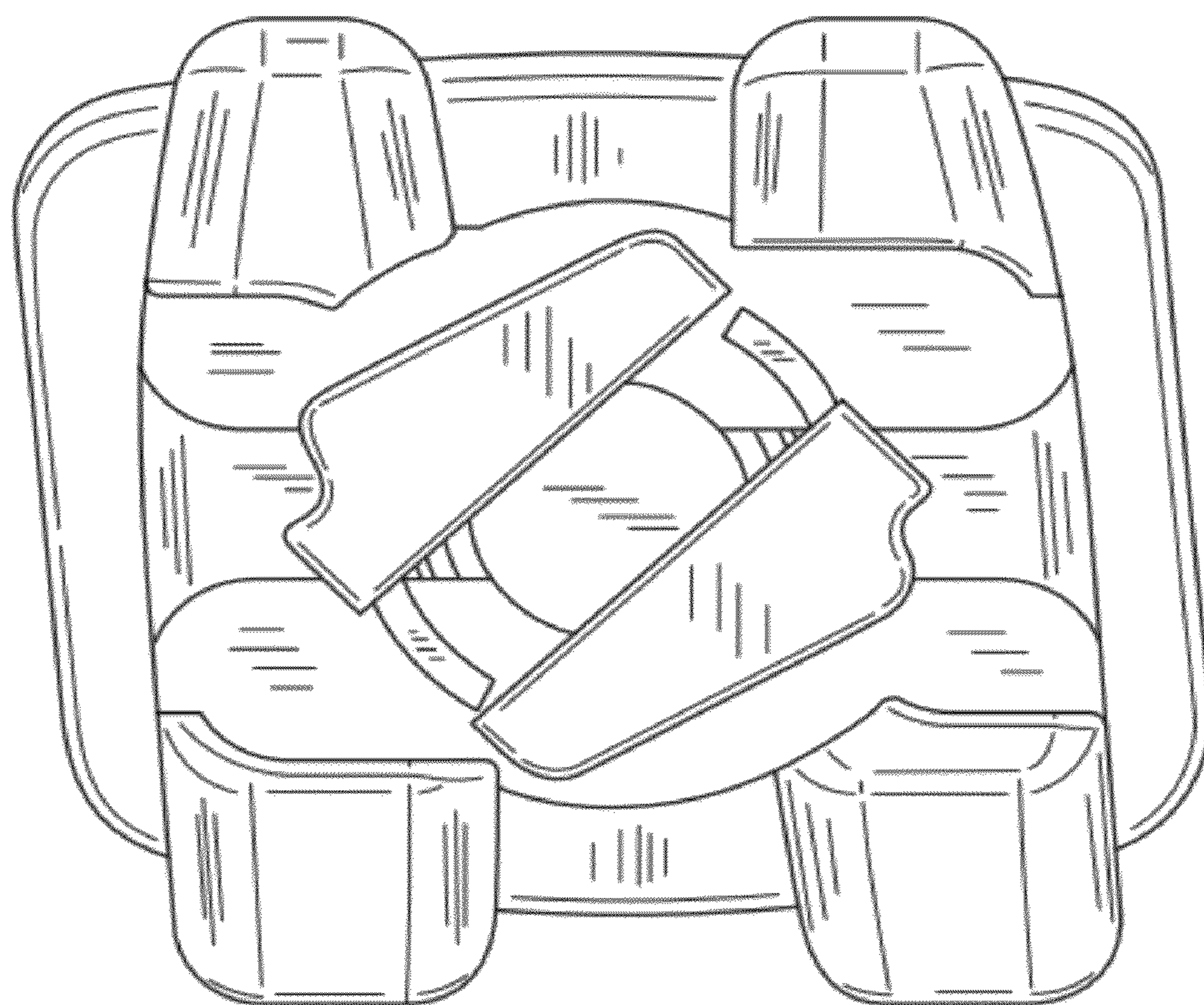


FIG.8

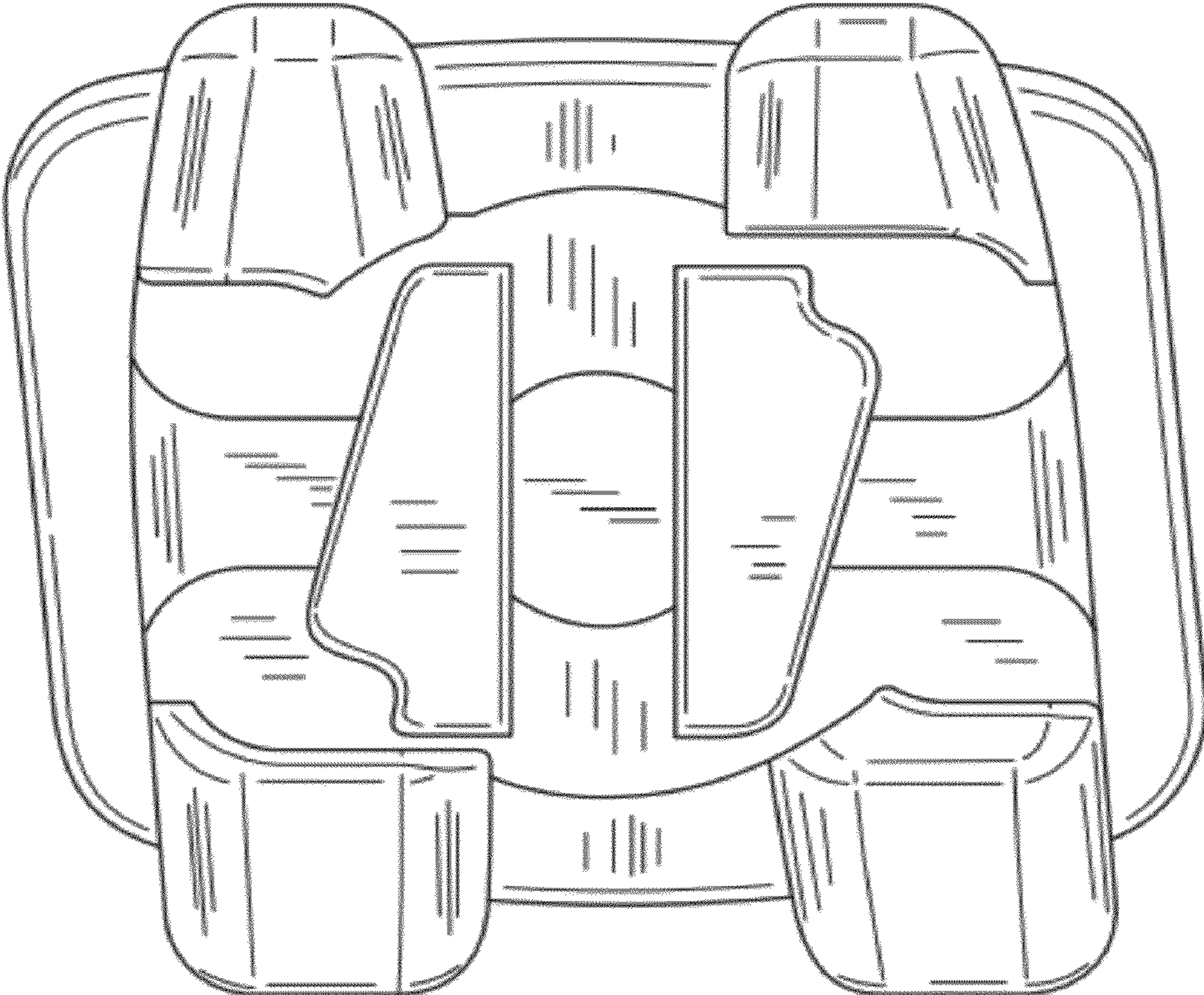


FIG.9