



US00D660431S

(12) **United States Design Patent**
Holley et al.

(10) **Patent No.:** **US D660,431 S**
(45) **Date of Patent:** **** May 22, 2012**

(54) **CUTTING APPARATUS FOR MEDICAL TUBES**

(75) Inventors: **Steven Holley**, West Roxbury, MA (US);
Amelia Ann Schuchmann, Colleyville, TX (US);
Bradley Stewart, Westfield, MA (US);
Mark Tauer, Belchertown, MA (US)

(73) Assignee: **Tyco Healthcare Group LP**, Mansfield, MA (US)

(**) Term: **14 Years**

(21) Appl. No.: **29/350,497**

(22) Filed: **Nov. 18, 2009**

Related U.S. Application Data

(63) Continuation of application No. 11/416,061, filed on May 2, 2006, now abandoned.

(51) **LOC (9) Cl.** **24-02**

(52) **U.S. Cl.** **D24/147**

(58) **Field of Classification Search** D24/133,
D24/137, 138, 143-149; 606/151, 157, 158,
606/167, 182, 176, 184, 205-208, 112-150
See application file for complete search history.

(56) **References Cited**

U.S. PATENT DOCUMENTS

372,418 A	11/1887	Keim
448,116 A	3/1891	Brunhoff et al.
454,934 A	6/1891	Rheeden
513,779 A	1/1894	Hanscom
1,061,236 A	5/1913	Fuller
1,199,784 A	10/1916	Hall
4,366,619 A	1/1983	Bieganski
4,799,406 A	1/1989	Diaz-De-Guerenu-Aguirrebeitia
4,835,862 A	6/1989	Phillips
4,944,092 A	7/1990	De Groot et al.
4,953,293 A	9/1990	Sterlacci

5,009,130 A	4/1991	Bieganski	
5,295,421 A	3/1994	Mansfield	
5,325,587 A	7/1994	Steiner et al.	
5,398,413 A	3/1995	Chen	
D372,782 S	8/1996	Spehalski	
5,901,449 A	5/1999	Ulbrich et al.	
5,937,523 A	8/1999	Van Keppel et al.	
5,992,022 A	11/1999	Carrera Moya	
6,018,873 A	2/2000	McClellan	
6,058,606 A	5/2000	Hepworth	
6,128,976 A	10/2000	Tarpill	
6,216,346 B1	4/2001	Wechsler	
6,254,620 B1	7/2001	Koh et al.	
6,324,945 B1	12/2001	Lo et al.	
D457,790 S *	5/2002	Wang et al. D7/696
6,439,084 B1	8/2002	Ebert	
6,526,661 B1	3/2003	Shutts et al.	
D489,452 S	5/2004	Schweikert	
7,000,322 B2	2/2006	Murphy	
7,003,883 B2	2/2006	Tapper	
D600,810 S *	9/2009	Khouri D24/152

(Continued)

Primary Examiner — Ian Simmons

Assistant Examiner — Carissa C Fitts

(74) *Attorney, Agent, or Firm* — Lisa E. Winsor, Esq.

(57) **CLAIM**

The ornamental design for an cutting apparatus for medical tubes, as shown and described.

DESCRIPTION

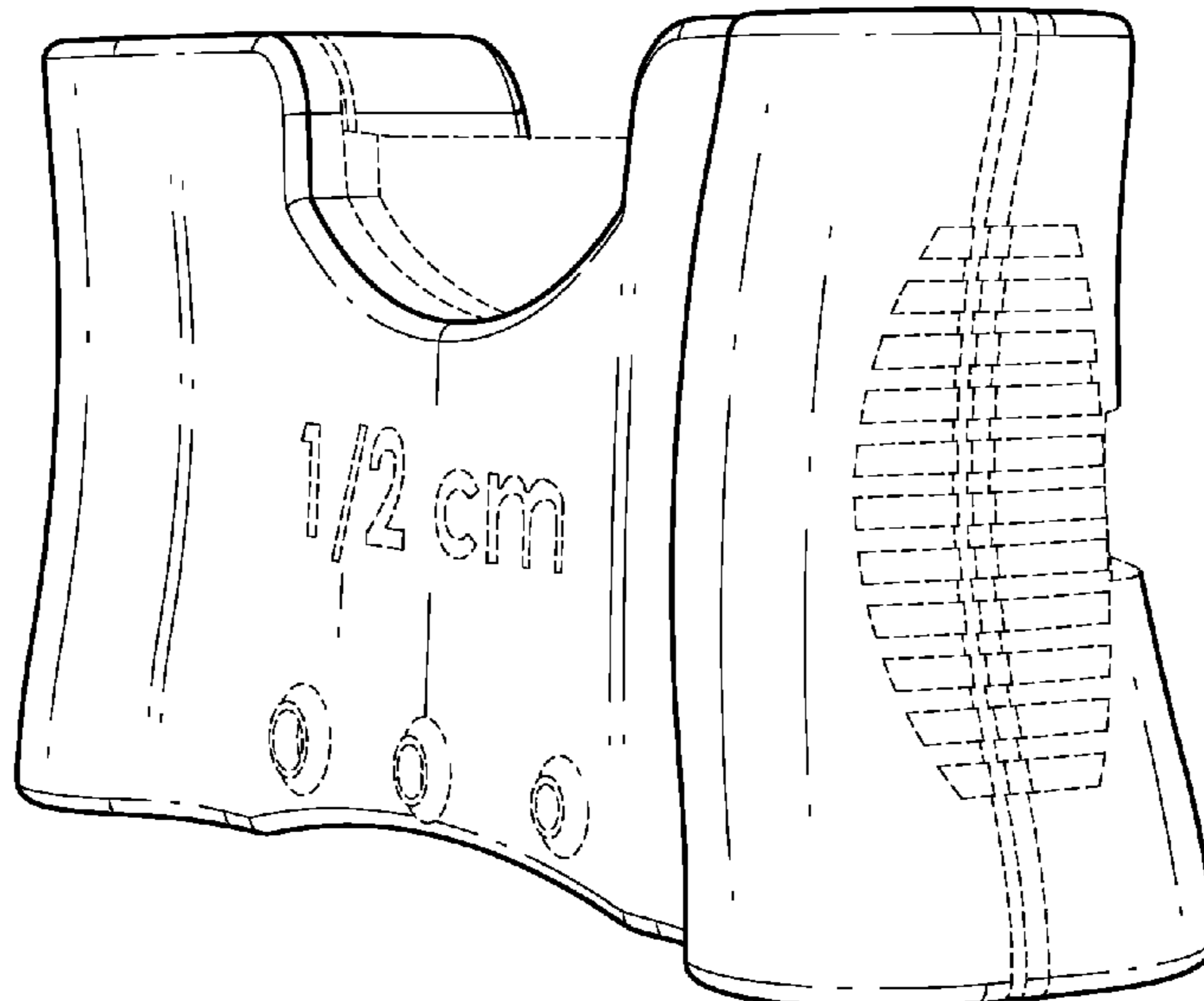
FIG. 1 is a perspective view of an cutting apparatus for medical tubes of the present disclosure;

FIG. 2 is a second perspective view of the cutting apparatus for medical tubes;

FIG. 3 is a side cross-sectional view of the cutting apparatus for medical tubes of FIG. 1 taken along a plane 3-3 which is delineated in FIG. 4; and,

FIG. 4 is a top plan view of an cutting apparatus for medical tubes of FIG. 1.

1 Claim, 2 Drawing Sheets



US D660,431 S

Page 2

U.S. PATENT DOCUMENTS

D605,304 S *	12/2009	Aoki	D24/224	2001/0032390 A1	10/2001	Davison	
D609,341 S *	2/2010	Khoury	D24/152	2005/0271999 A1*	12/2005	Fishburne, Jr.	433/39
D621,043 S *	8/2010	Schmal et al.	D24/147	2006/0059691 A1	3/2006	Wiste	
D631,546 S *	1/2011	Gao	D24/146	2006/0183075 A1*	8/2006	Kim	433/142
D634,845 S *	3/2011	Gao	D24/146				

* cited by examiner

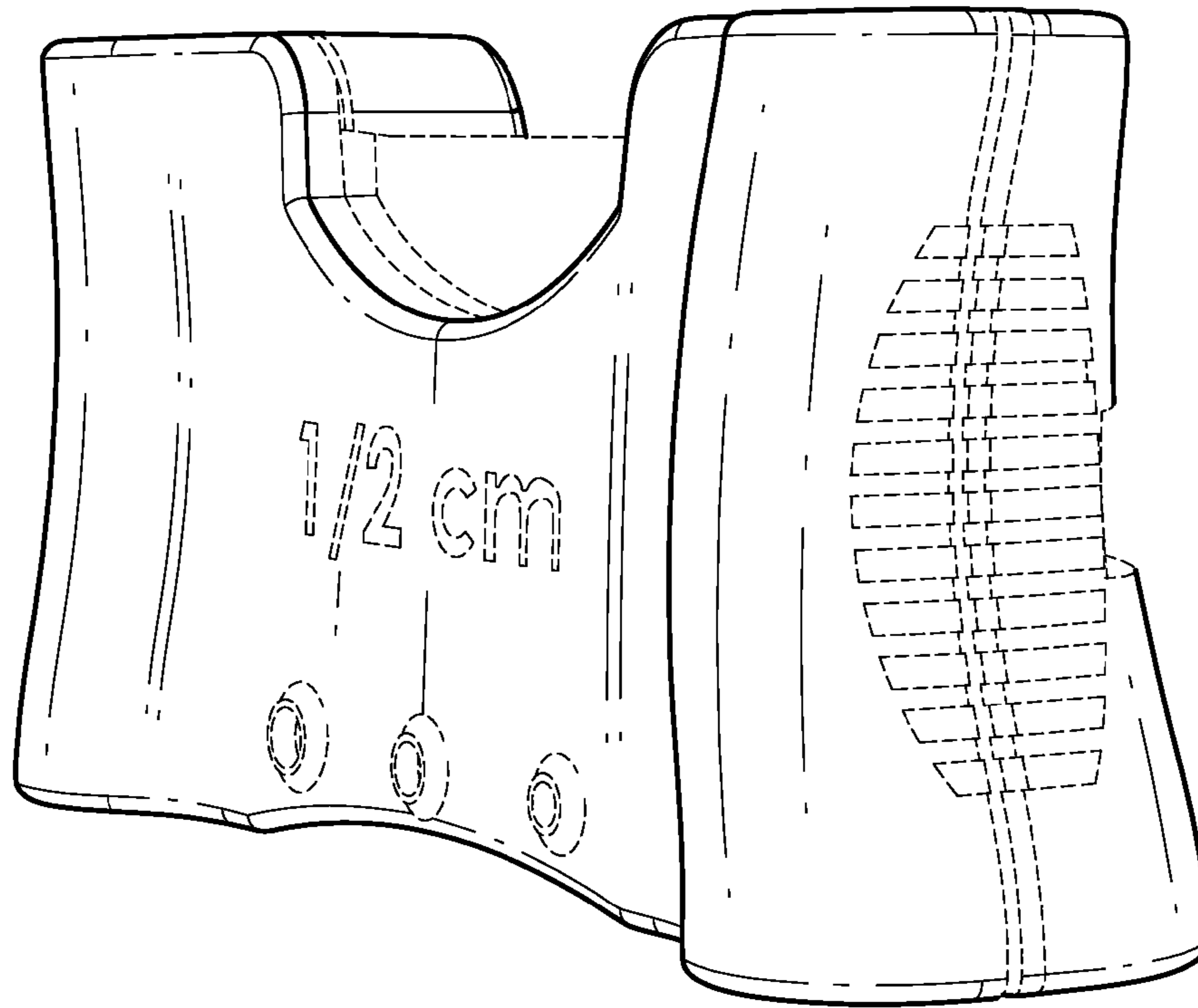


FIG. 1

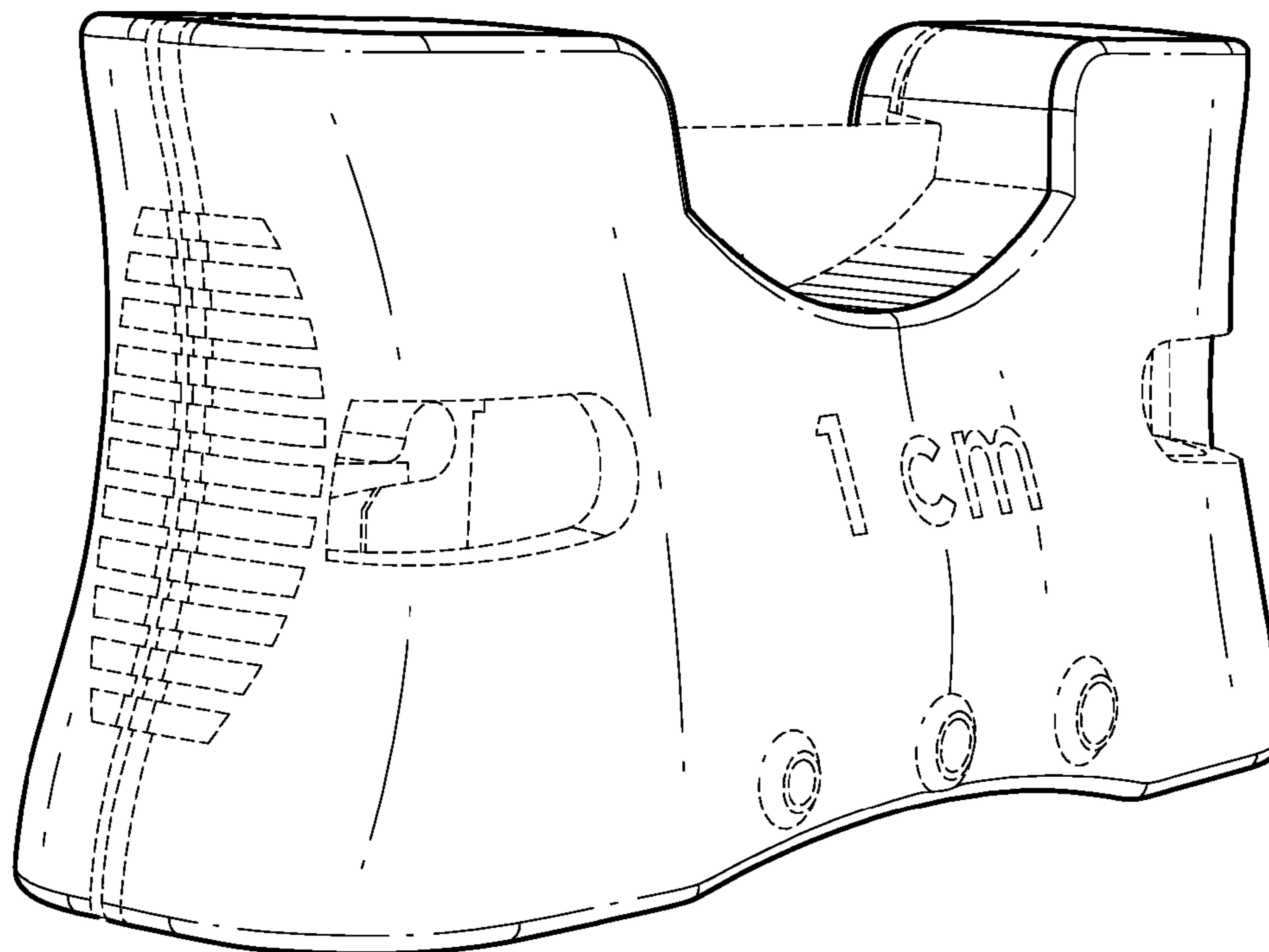


FIG. 2

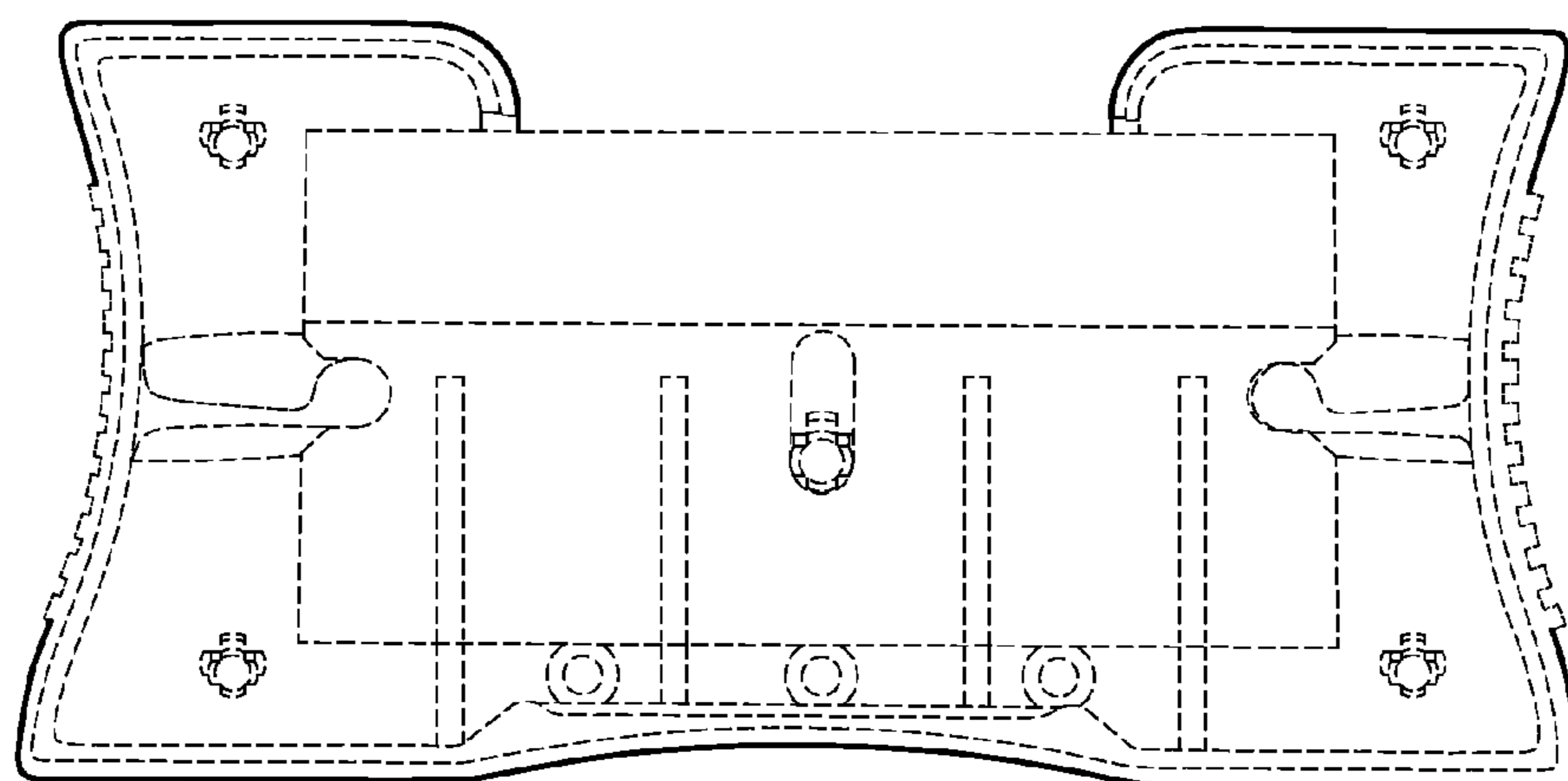


FIG. 3

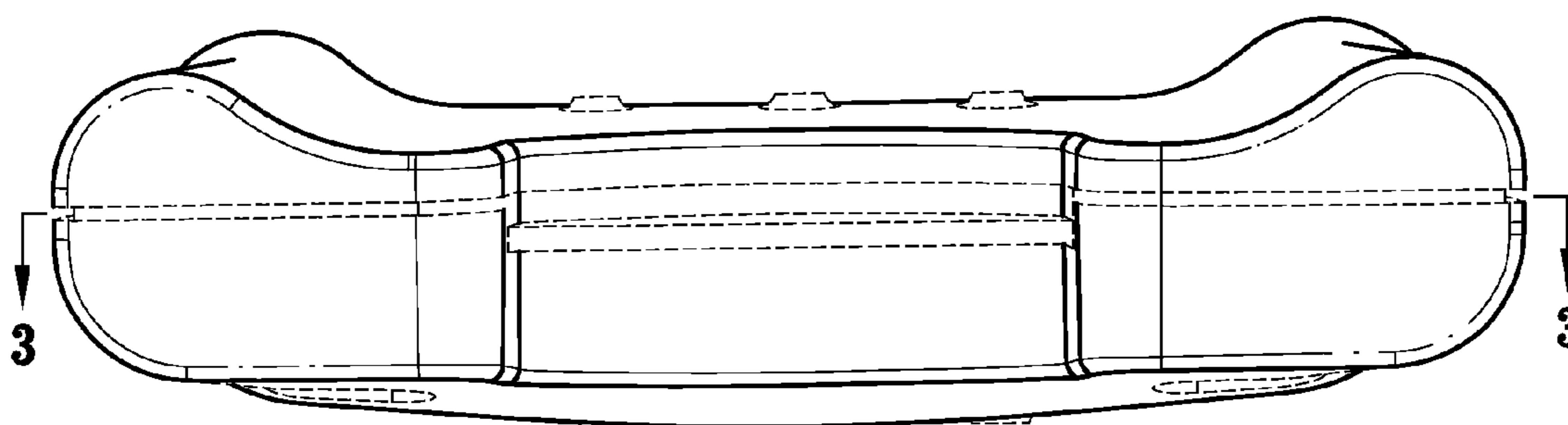


FIG. 4