

US00D660429S

(12) **United States Design Patent**
Dauphin et al.

(10) **Patent No.:** **US D660,429 S**

(45) **Date of Patent:** **** May 22, 2012**

(54) **TIP FOR A DENTAL SCALER**

(75) Inventors: **Julien Dauphin**, Monnaz (CH); **Olivier Olmo**, Morges (CH)

(73) Assignee: **Ferton Holding S.A.**, Delémont (CH)

(**) Term: **14 Years**

(21) Appl. No.: **29/386,656**

(22) Filed: **Mar. 3, 2011**

(30) **Foreign Application Priority Data**

Sep. 18, 2010 (EP) 0017568340001

(51) **LOC (9) Cl.** **24-02**

(52) **U.S. Cl.** **D24/144; D24/146; D24/156**

(58) **Field of Classification Search** D24/133,
D24/152, 156, 176, 146, 144, 147; 433/102,
433/119, 125, 86, 141, 143, 144, 165-166,
433/224

See application file for complete search history.

(56) **References Cited**

U.S. PATENT DOCUMENTS

4,283,175	A *	8/1981	Nash	433/119
D450,847	S *	11/2001	Feine et al.	D24/156
6,312,256	B1 *	11/2001	Dieras et al.	433/119
6,722,882	B2 *	4/2004	Buchanan	433/119
6,810,585	B2 *	11/2004	Hickok	433/86
6,817,862	B2 *	11/2004	Hickok	433/119
7,140,878	B2 *	11/2006	Hickok	433/86
7,875,237	B2 *	1/2011	Hwang et al.	433/119
2002/0072034	A1 *	6/2002	Hickok et al.	433/119
2004/0023187	A1 *	2/2004	Hickok	433/119
2007/0065773	A1 *	3/2007	Hickok	433/119

2007/0254262	A1 *	11/2007	Doussin et al.	433/119
2008/0254409	A1 *	10/2008	Hwang et al.	433/143
2010/0240006	A1 *	9/2010	Kwon et al.	433/143

OTHER PUBLICATIONS

Dental Scaler tips. 1 page. [On line], [retrieved on Nov. 7, 2011]. Retrieved from the Internet <<http://image.made-in-china.com/2f0j00deaQCwMnwKrv/Dental-Tips-Ultrasonic-Scaler-Tips.jpg>>.*

Scaling Tip. 1 page. [On line], [retrieved on Nov. 7, 2011]. Retrieved from the Internet <http://i01.i.aliimg.com/photo/v0/374507661/Dental_Scaler_Tips_EMS_.jpg>.*

* cited by examiner

Primary Examiner — Wan Laymon

(74) *Attorney, Agent, or Firm* — Kolisch Hartwell, P.C.

(57) **CLAIM**

The ornamental design for a tip for a dental scaler, as shown and described.

DESCRIPTION

FIG. 1 is an isometric view of the tip for a dental scaler showing the new design.

FIG. 2 is a rear view thereof.

FIG. 3 is a front view thereof.

FIG. 4 is a left side view thereof.

FIG. 5 is a right side view thereof.

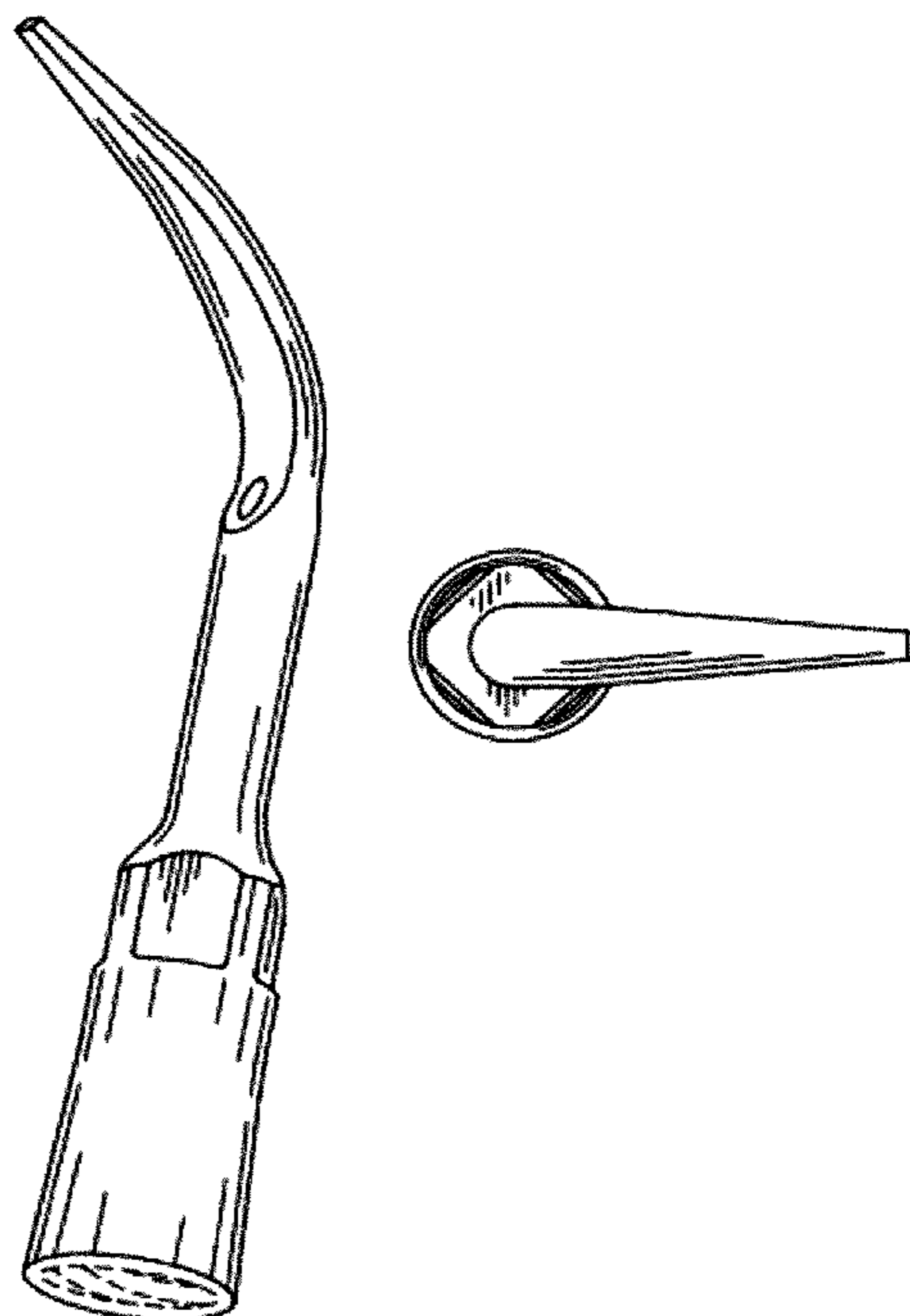
FIG. 6 is a top view thereof; and,

FIG. 7 is a bottom view thereof.

The stippling and shading lines shown in the drawings represent the approximate three-dimensional contour of the design, and are not intended to indicate surface decoration.

The portion of the tip for a dental scaler shown in broken lines forms no part of the claimed design.

1 Claim, 2 Drawing Sheets



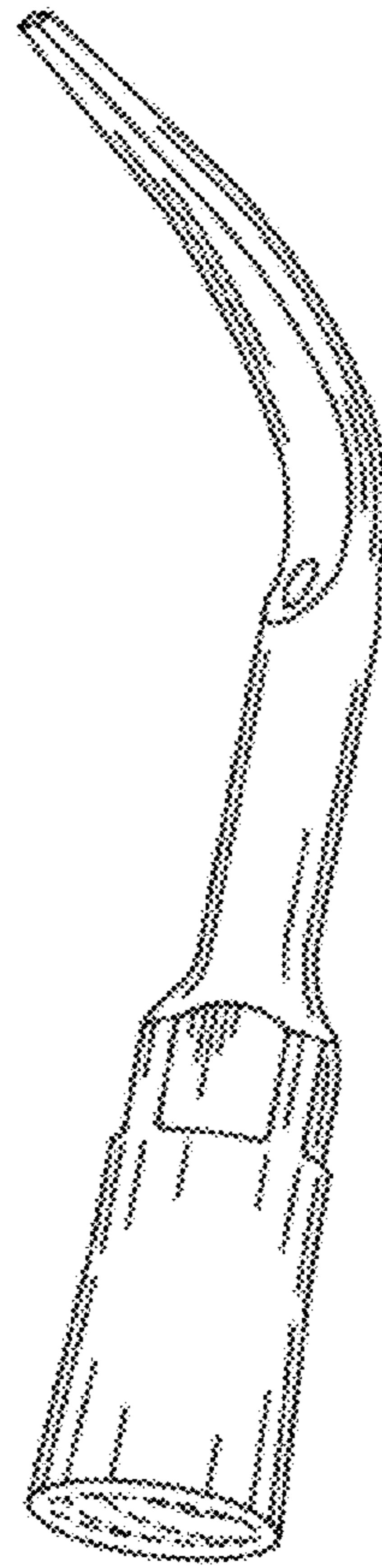


FIG. 1

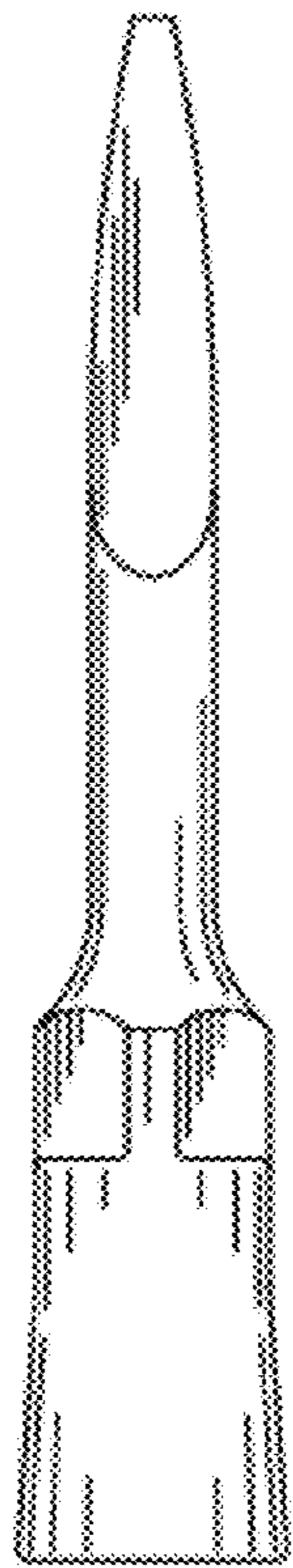


FIG. 2

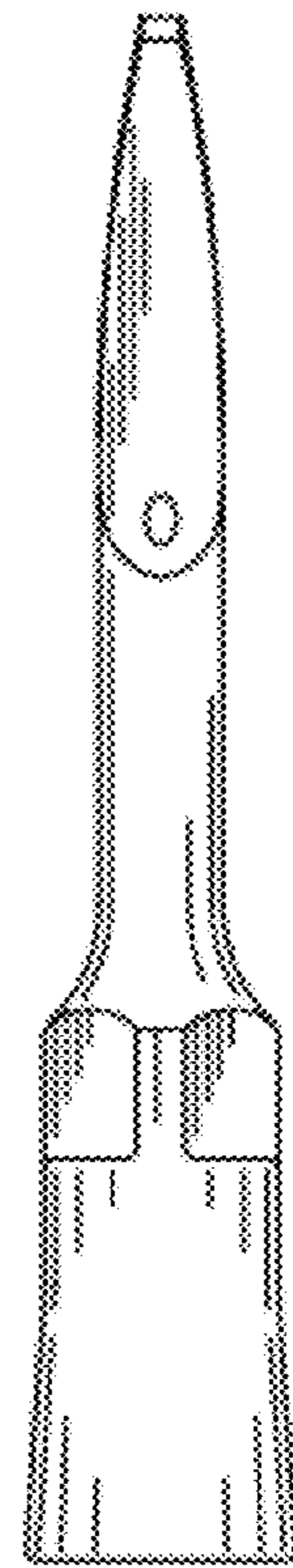


FIG. 3

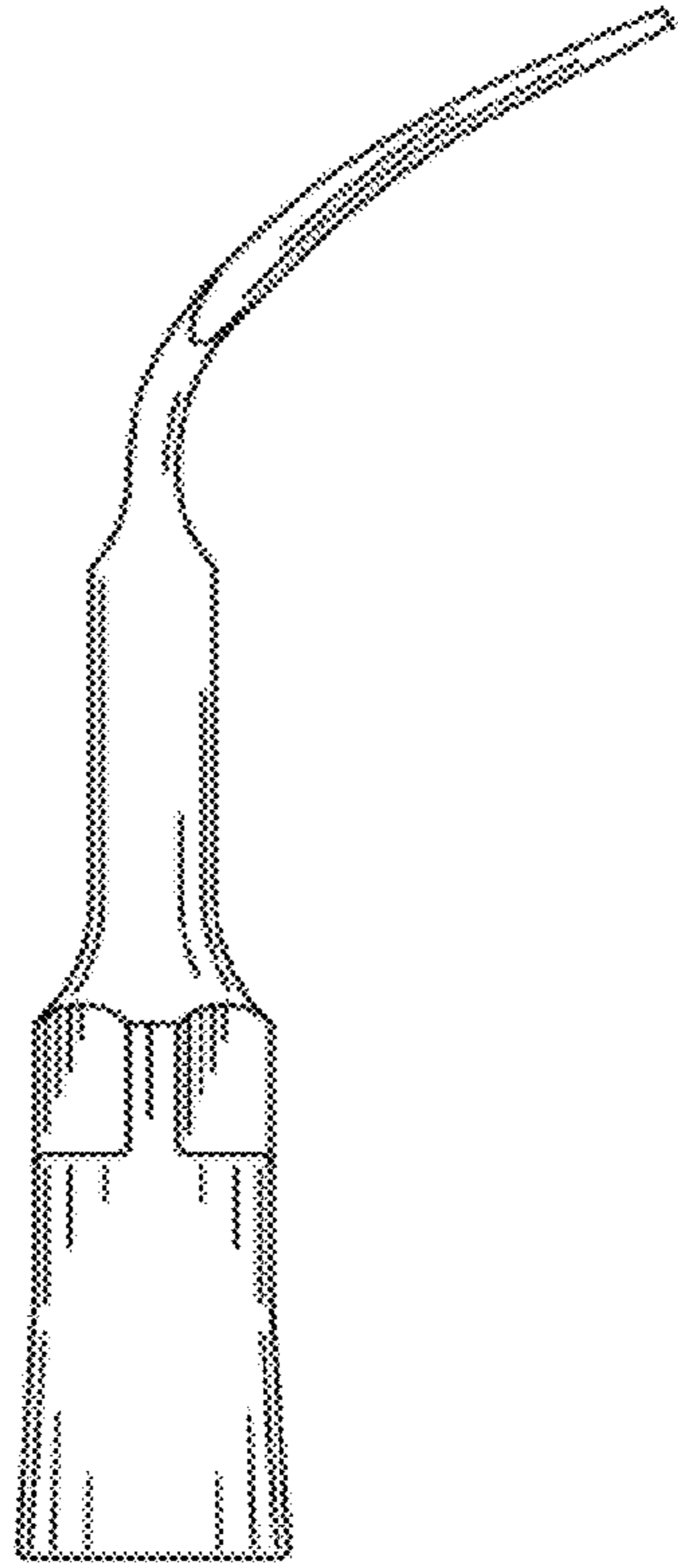


FIG. 4

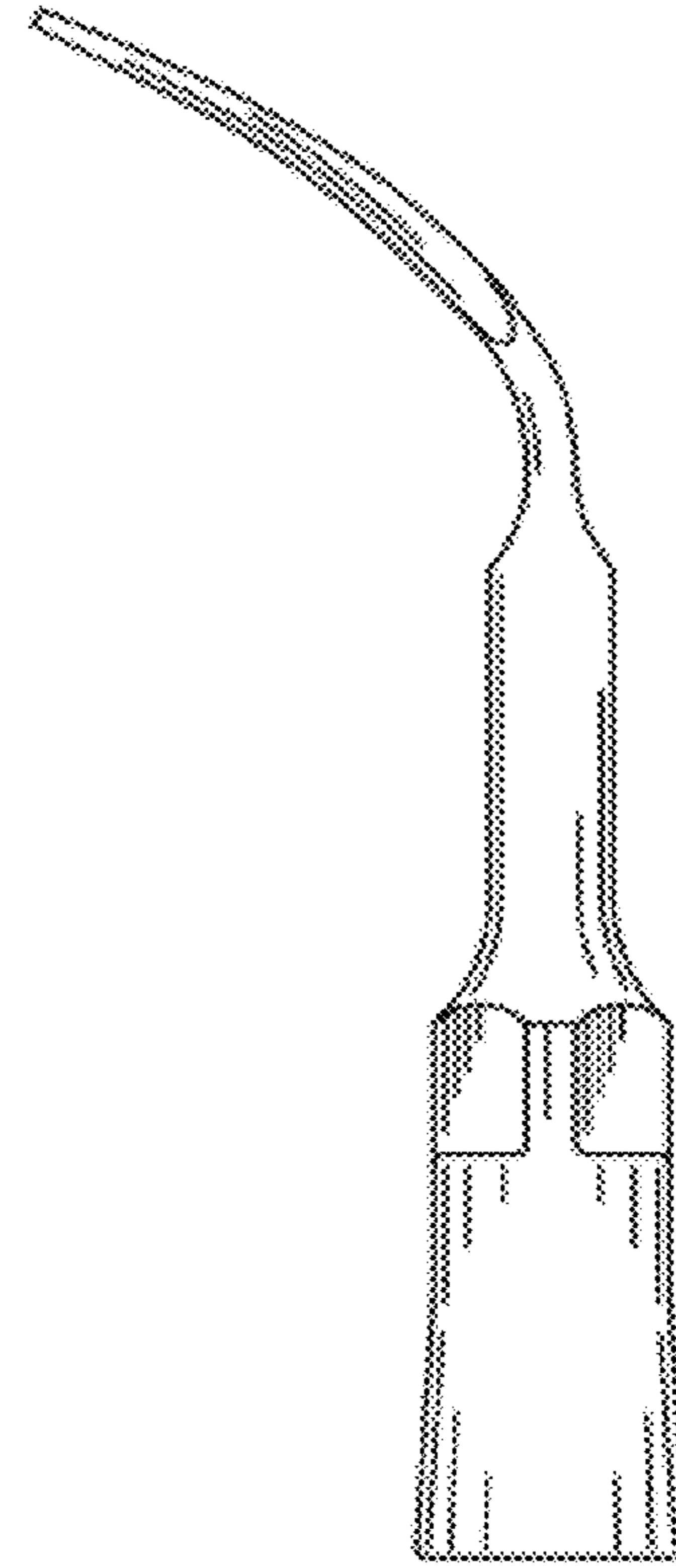


FIG. 5

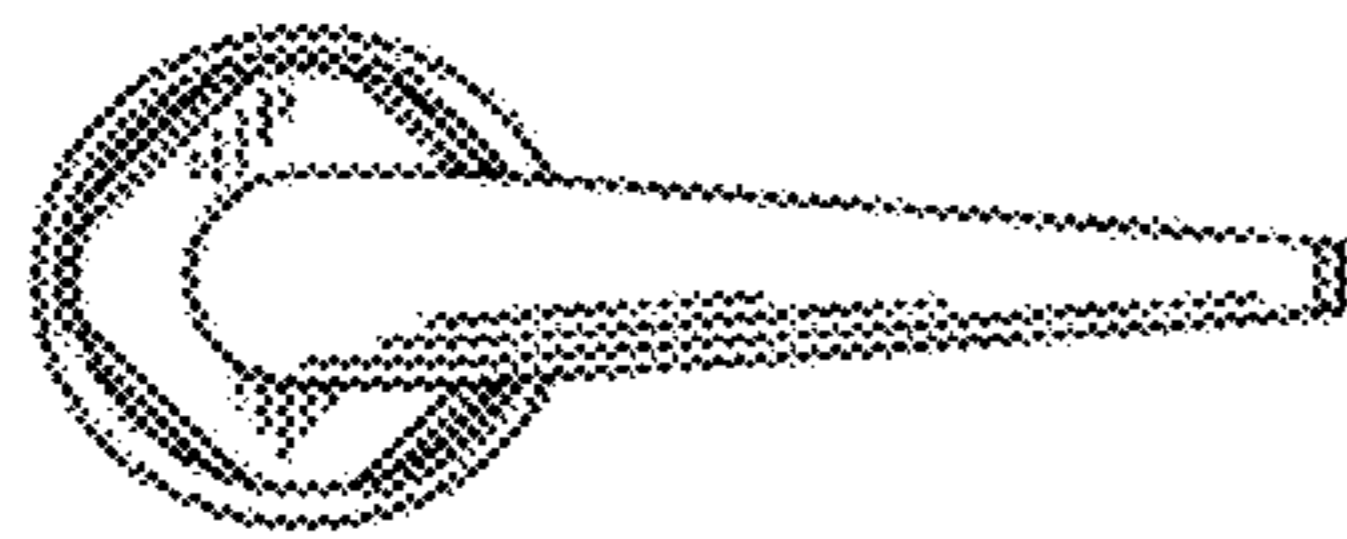


FIG. 6

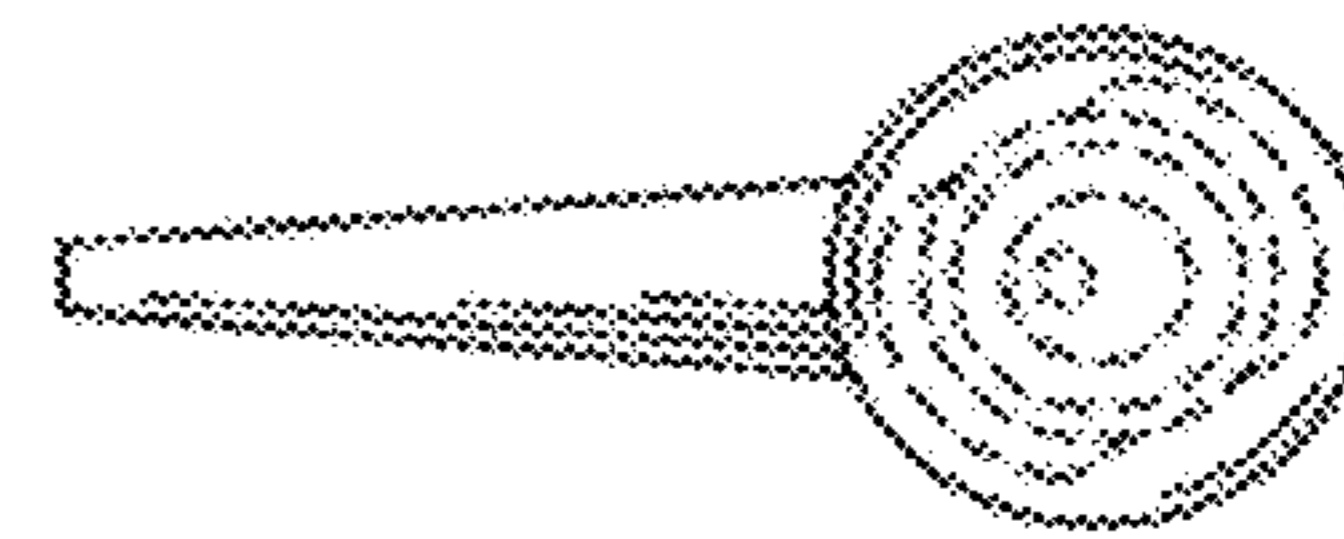


FIG. 7