



US00D660426S

(12) **United States Design Patent**
Hermle

(10) **Patent No.:** **US D660,426 S**
(45) **Date of Patent:** **** May 22, 2012**

(54) **RECTOSCOPE**

(75) Inventor: **Rainer Hermle**, Gosheim (DE)

(73) Assignee: **Karl Storz GmbH & Co. KG** (DE)

(**) Term: **14 Years**

(21) Appl. No.: **29/396,096**

(22) Filed: **Jun. 24, 2011**

(30) **Foreign Application Priority Data**

Dec. 27, 2010 (EM) 001798695-0020

(51) **LOC (9) Cl.** **24-02**

(52) **U.S. Cl.** **D24/138**

(58) **Field of Classification Search** D24/133,
D24/137, 138, 140; 600/104, 114, 184, 132;
606/197

See application file for complete search history.

(56) **References Cited**

U.S. PATENT DOCUMENTS

4,538,594	A *	9/1985	Boebel et al.	600/102
5,464,412	A *	11/1995	Budding	606/140
6,245,011	B1 *	6/2001	Dudda et al.	600/104
6,458,077	B1 *	10/2002	Boebel et al.	600/154
D564,657	S *	3/2008	Tsai	D24/135
D598,544	S *	8/2009	Gaab et al.	D24/135
D605,765	S *	12/2009	Gaab	D24/146
D612,046	S *	3/2010	Tsai	D24/135
D631,963	S *	2/2011	Efinger et al.	D24/137
7,967,746	B2 *	6/2011	Leroy et al.	600/182
2009/0112161	A1 *	4/2009	Maerten et al.	604/131
2009/0192352	A1 *	7/2009	Regadas	600/114
2010/0280368	A1 *	11/2010	Can et al.	600/431

OTHER PUBLICATIONS

Richard Wolf Brochure for: TEM Instrumentation; retrieved via www.richardwolfusa.com on Oct. 25, 2011; pp. 1-3.

Storz catalog—Karl Storz Endoskope; Proctology 6th Edition Jan. 2003; 1 page.

Storz Catalog—Karl Storz Endoscopy America; Proctology 7th Edition Jan. 2010 US; pp. 83-86.

Storz Catalog—Karl Storz Die Welt Der Endoskopie; Proktologie 7. Auagabe; Jan. 2010; pp. 82, 83, and 86.

Feußner, et al.; “Notes Über Den Transsigmoidalen Zugang”; Chirurg 2010 pp. 418-425. Apr. 1, 2010.

Olympus Instruction Manual for TEM Product; Copyright 2004; 32 pages.

Olympus Product Catalog for: Anoscopes, Proctoscopes, Rectoscopes, and TEM (transanal Endoscopic Microsurgery); 01/05; 12 pages.

Olympus Product Information 05/03 for TEM System; Responsible Product Managers: Burghardt, et al.; 27 pages.

Olympus Product Information 16/02 for Procto-, Recto- System; Responsible Product Manager: Winkelmann; 20 pages.

Can, et al.; Set of Instruments for Innovative, Safe, and Sterile Sigmoid Access for Natural-Orifice Transluminal Endoscopic Surgery; Biomed Tech 2008; pp. 1-5.

Richard Wolf Brochure for: TEM Instrument System; retrieved via www.richardwolfusa.com; pp. 1-12.

Richard Wolf Brochure for: TEM Instrumentation; retrieved via www.richardwolfusa.com on Oct. 25, 2011; pp. 1-12.

Burghardt MD, et al.; “Transanal Endoscopic Microsurgery [TEM]: A New Technique and Development During a Time Period of 20 Years”; Surgical Technology International XIV; Copyright 2006; pp. 131-137.

* cited by examiner

Primary Examiner — Bridget L Eland

(74) *Attorney, Agent, or Firm* — St. Onge Steward Johnston & Reens LLC

(57) **CLAIM**

The ornamental design for a rectoscope, as shown and described.

DESCRIPTION

FIG. 1 is a left side perspective view of a rectoscope in accordance with the new design;

FIG. 2 is a left side isometric view thereof;

FIG. 3 is a right side isometric view thereof;

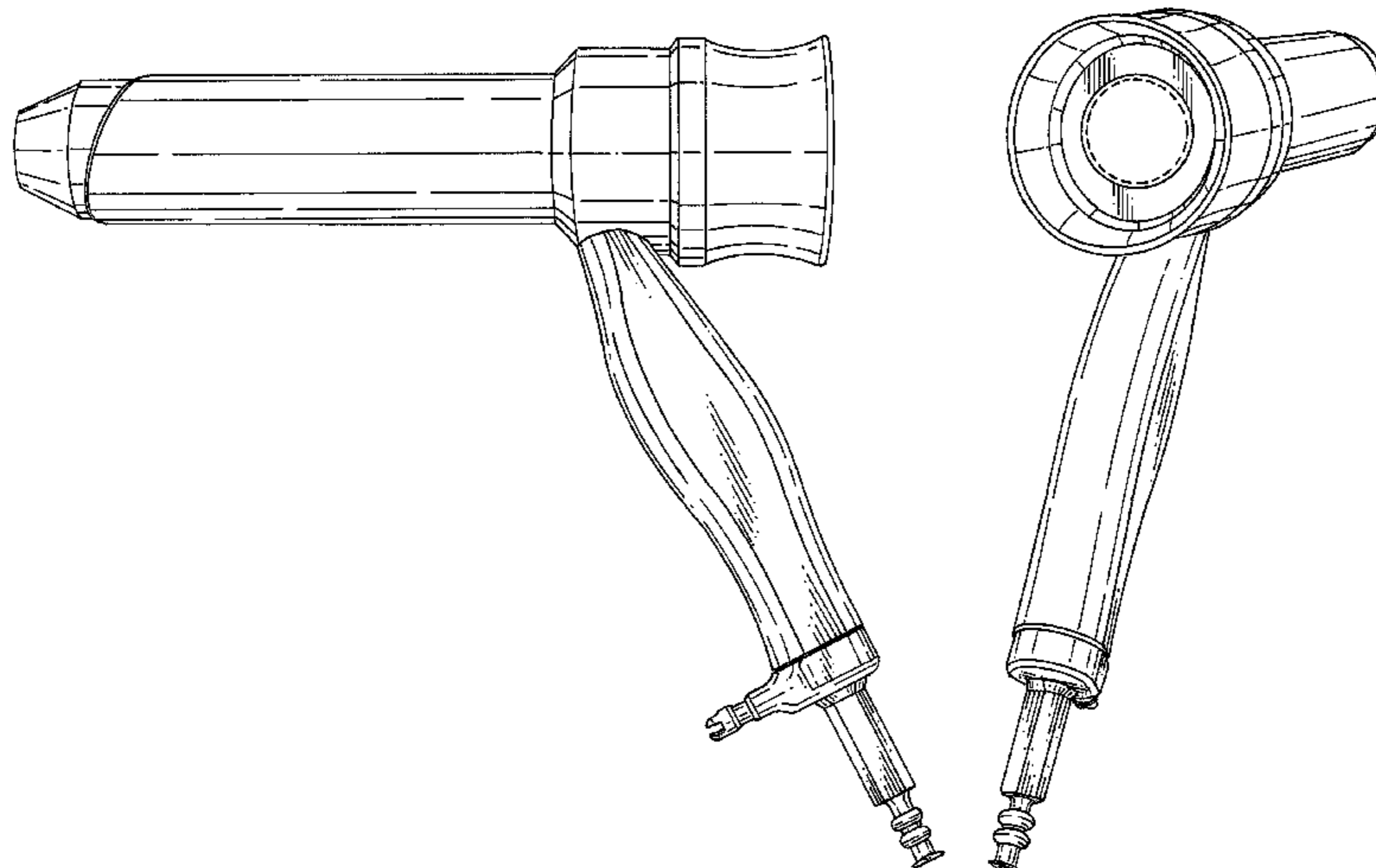
FIG. 4 is a front isometric view thereof;

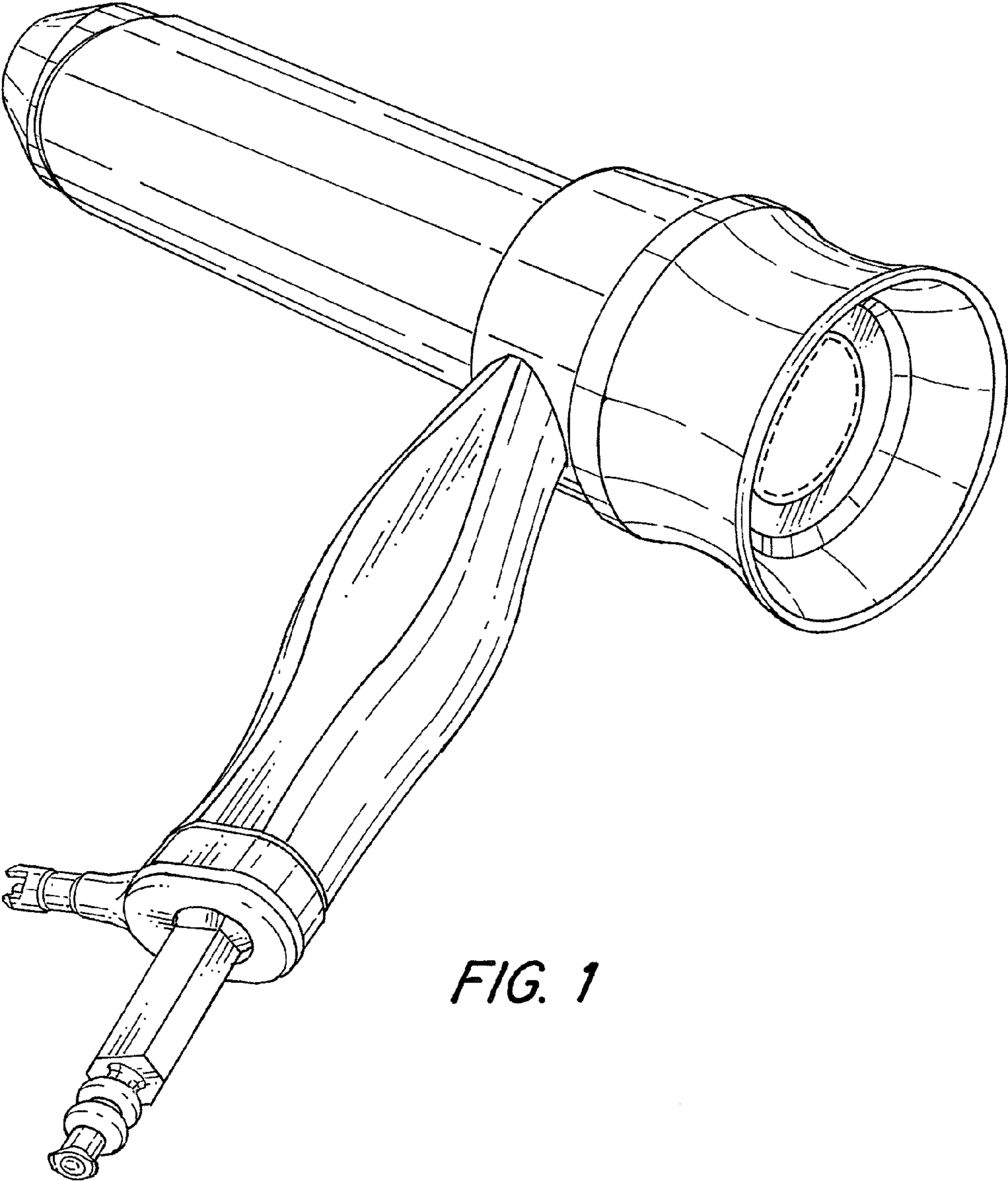
FIG. 5 is a rear isometric view thereof;

FIG. 6 is a top isometric view thereof; and,

FIG. 7 is a bottom isometric view thereof.

1 Claim, 7 Drawing Sheets





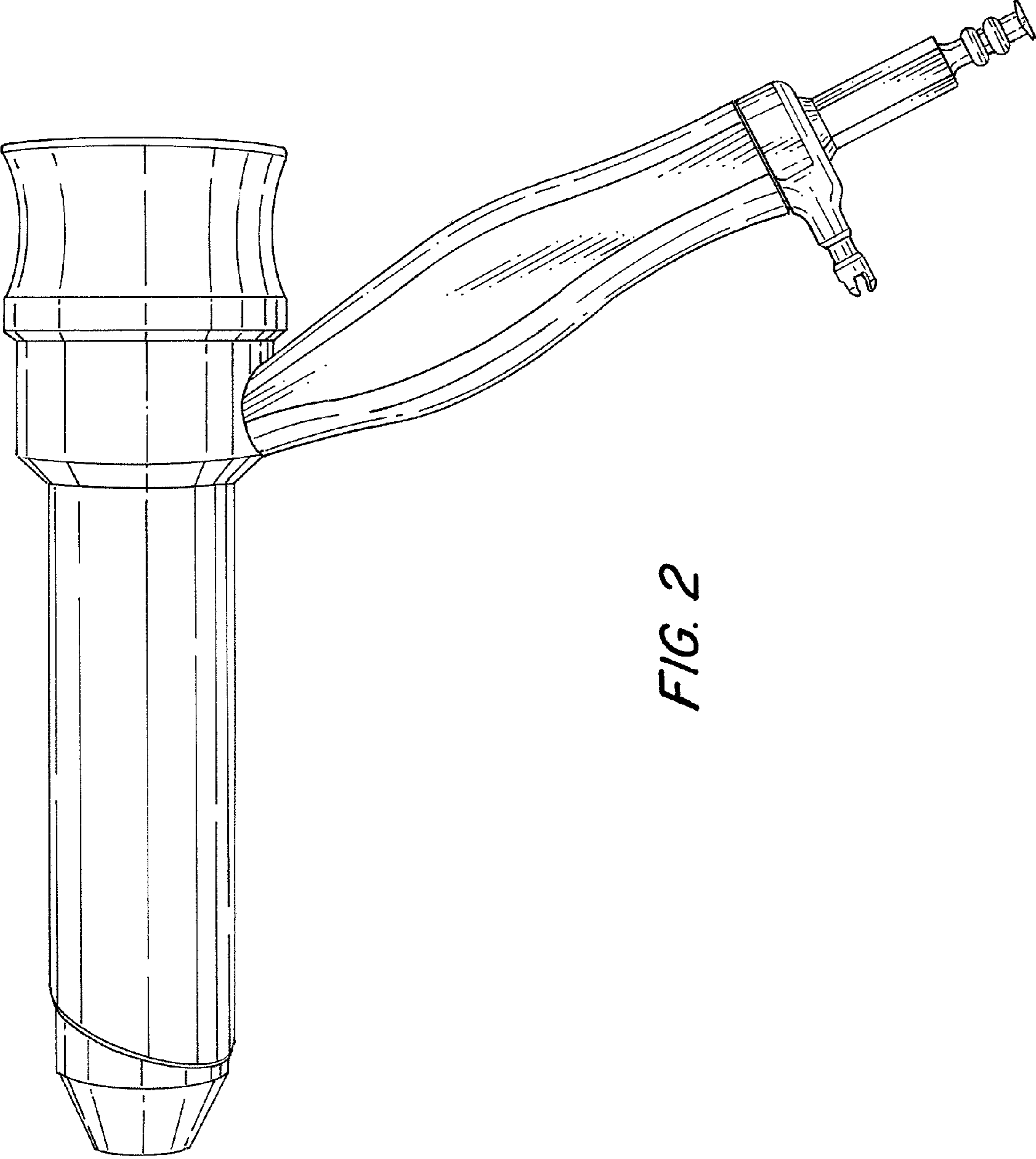


FIG. 2

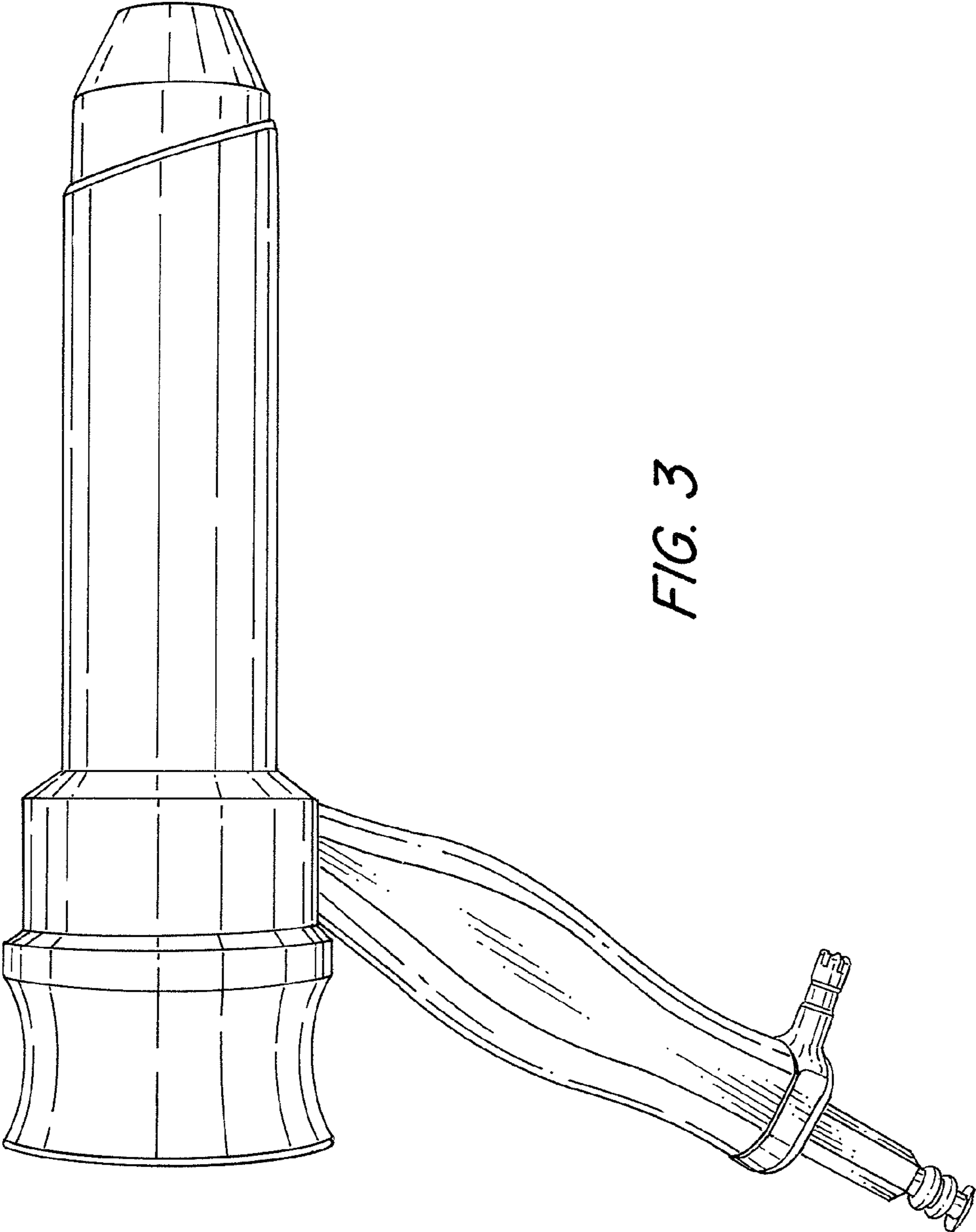


FIG. 3

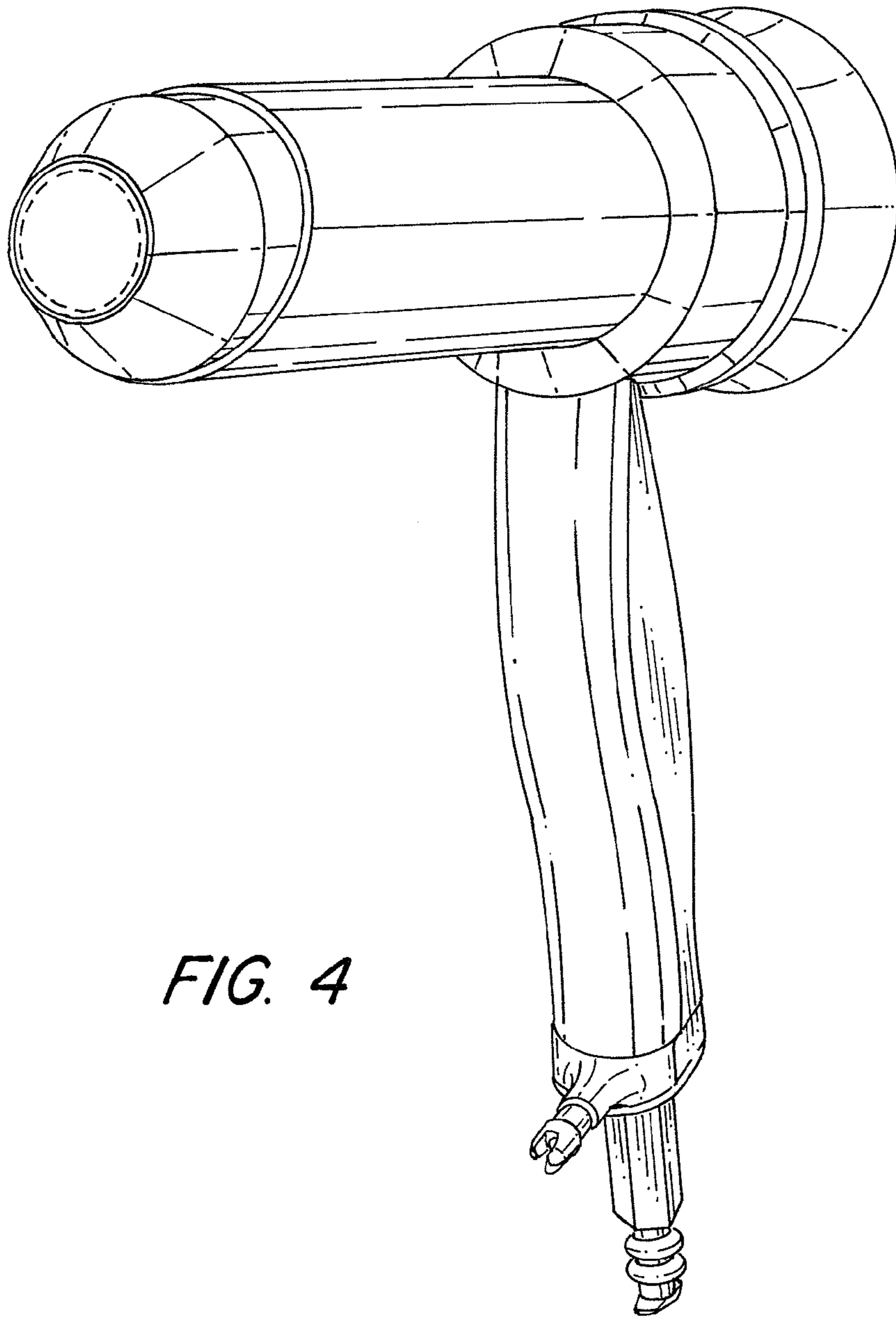


FIG. 4

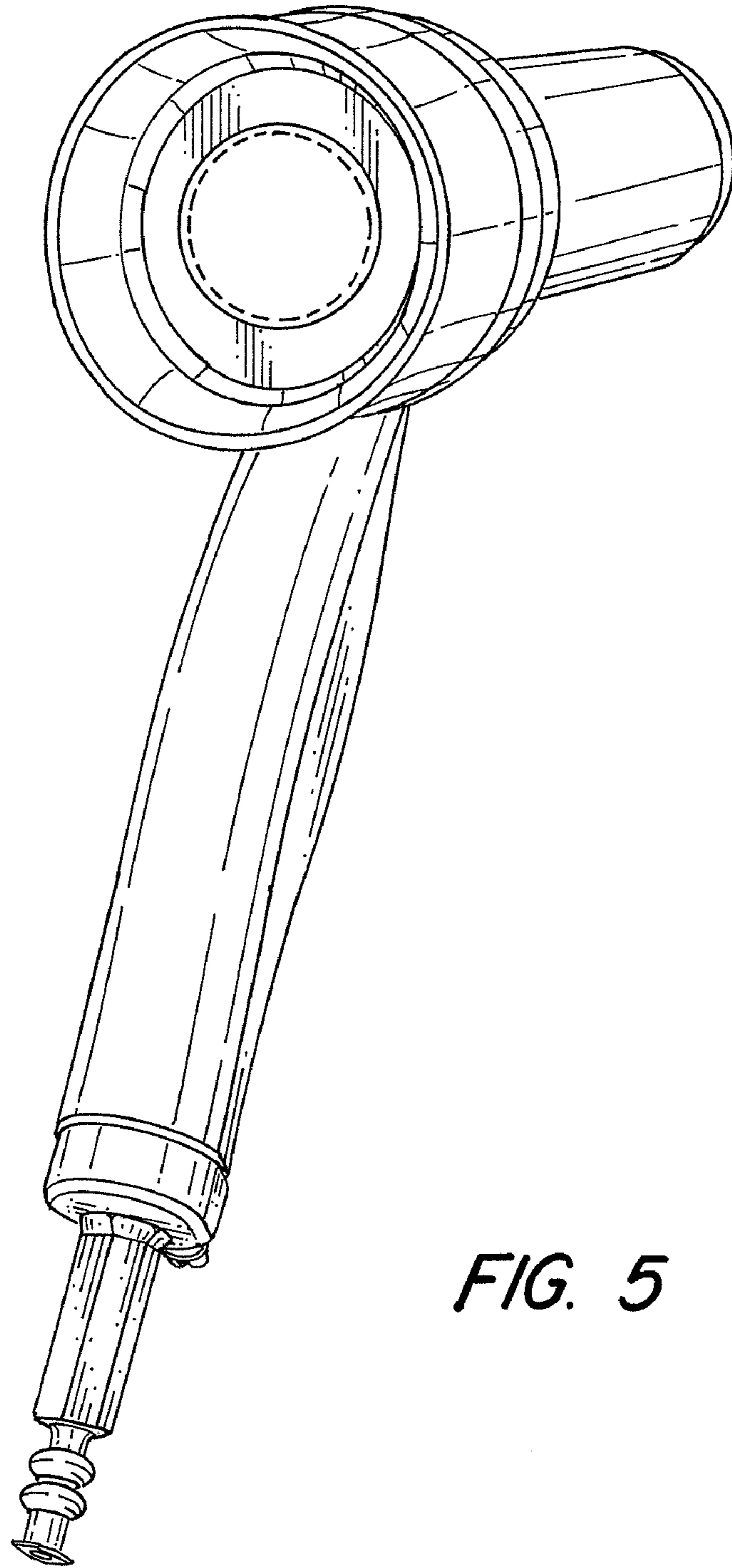


FIG. 5

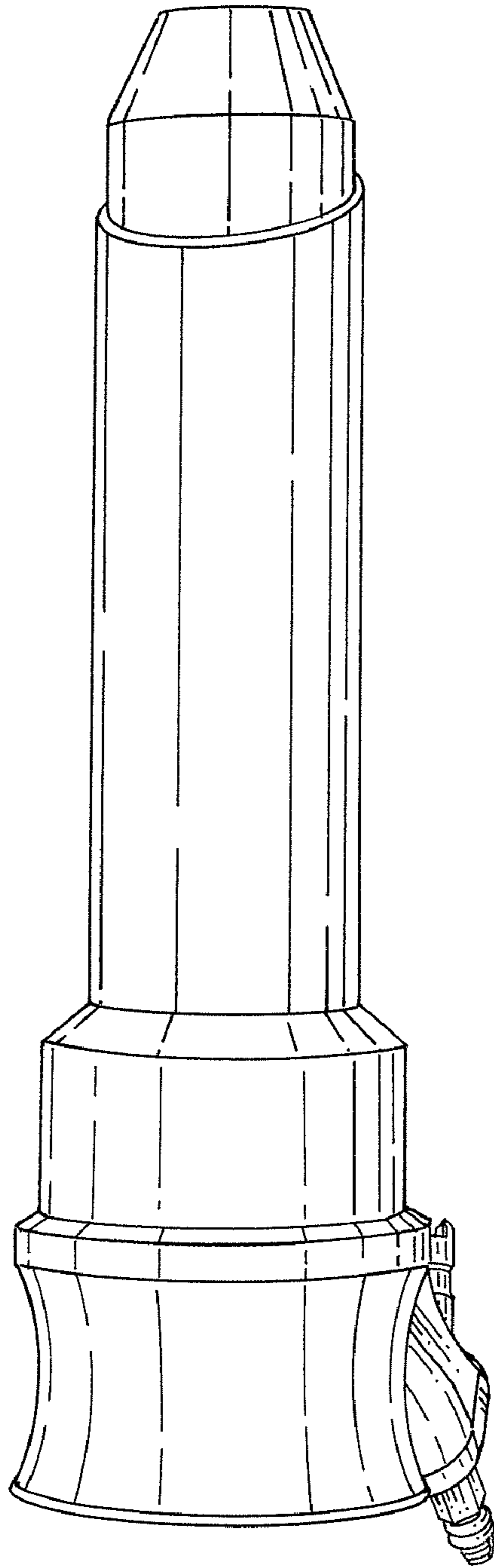


FIG. 6

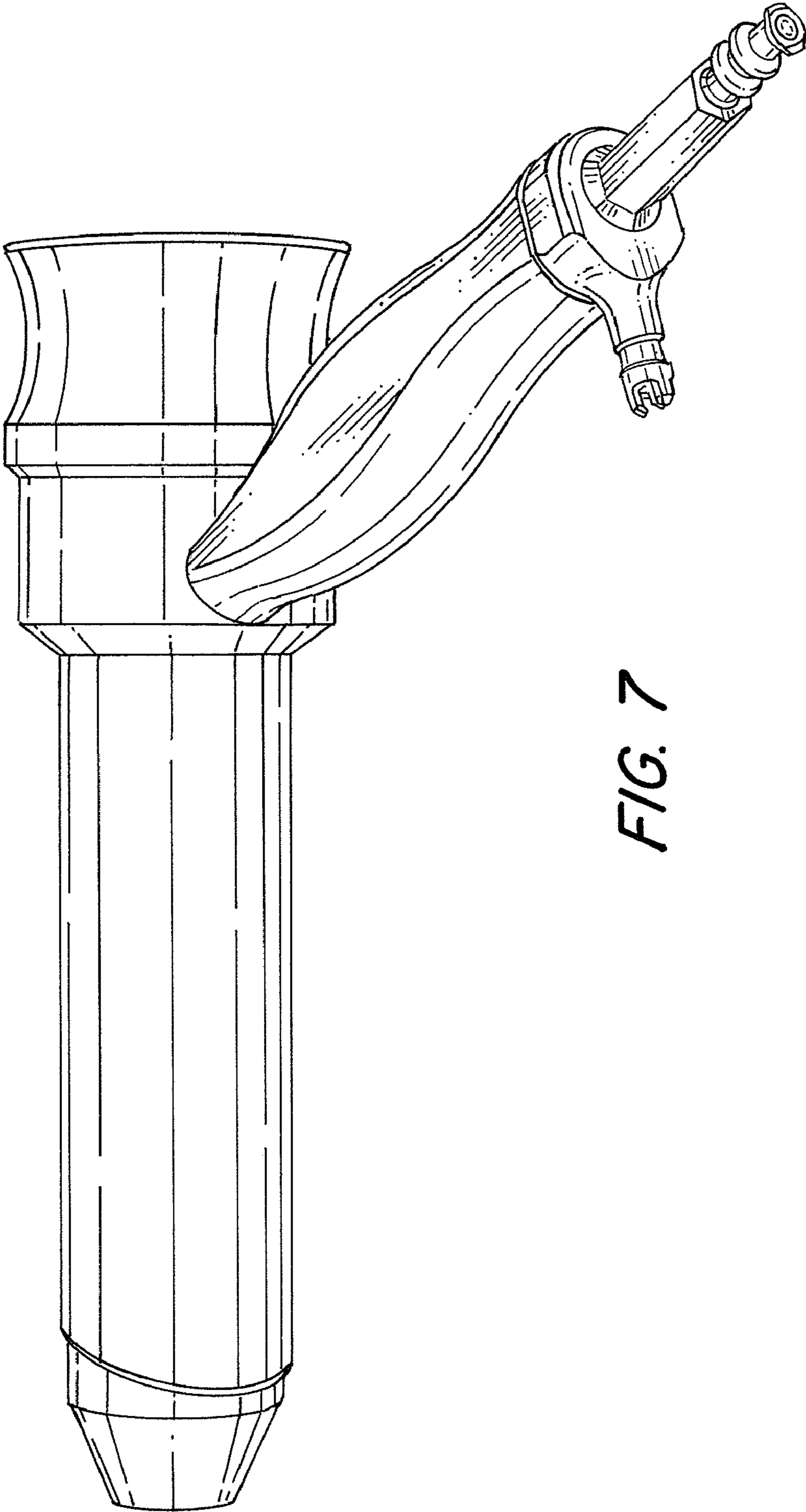


FIG. 7