

US00D660425S

(12) **United States Design Patent**  
**Bigelow**

(10) **Patent No.:** **US D660,425 S**

(45) **Date of Patent:** **\*\* May 22, 2012**

(54) **BRACKET FOR SECURING  
LARYNGOSCOPE COMPONENTS**

(76) Inventor: **Warren V. Bigelow**, Bloomington, MN  
(US)

(\*\*) Term: **14 Years**

(21) Appl. No.: **29/373,947**

(22) Filed: **Jun. 14, 2011**

(51) **LOC (9) Cl.** ..... **24-02**

(52) **U.S. Cl.** ..... **D24/137; D24/128**

(58) **Field of Classification Search** ..... D24/137,  
D24/133, 135, 138, 127, 128; D8/34, 40;  
600/185-200; 606/191-200

See application file for complete search history.

(56) **References Cited**

**U.S. PATENT DOCUMENTS**

D139,496 S	*	11/1944	Ellis	.....	D24/137
D170,744 S	*	11/1953	Burrett	.....	D24/137
2,690,745 A	*	10/1954	Govan	.....	600/241

D455,831 S	*	4/2002	Koros et al.	.....	D24/135
D629,898 S	*	12/2010	Bigelow	.....	D24/137
2010/0249513 A1	*	9/2010	Tydlaska	.....	600/186

\* cited by examiner

*Primary Examiner* — Bridget L Eland

(74) *Attorney, Agent, or Firm* — Norman B. Rainer

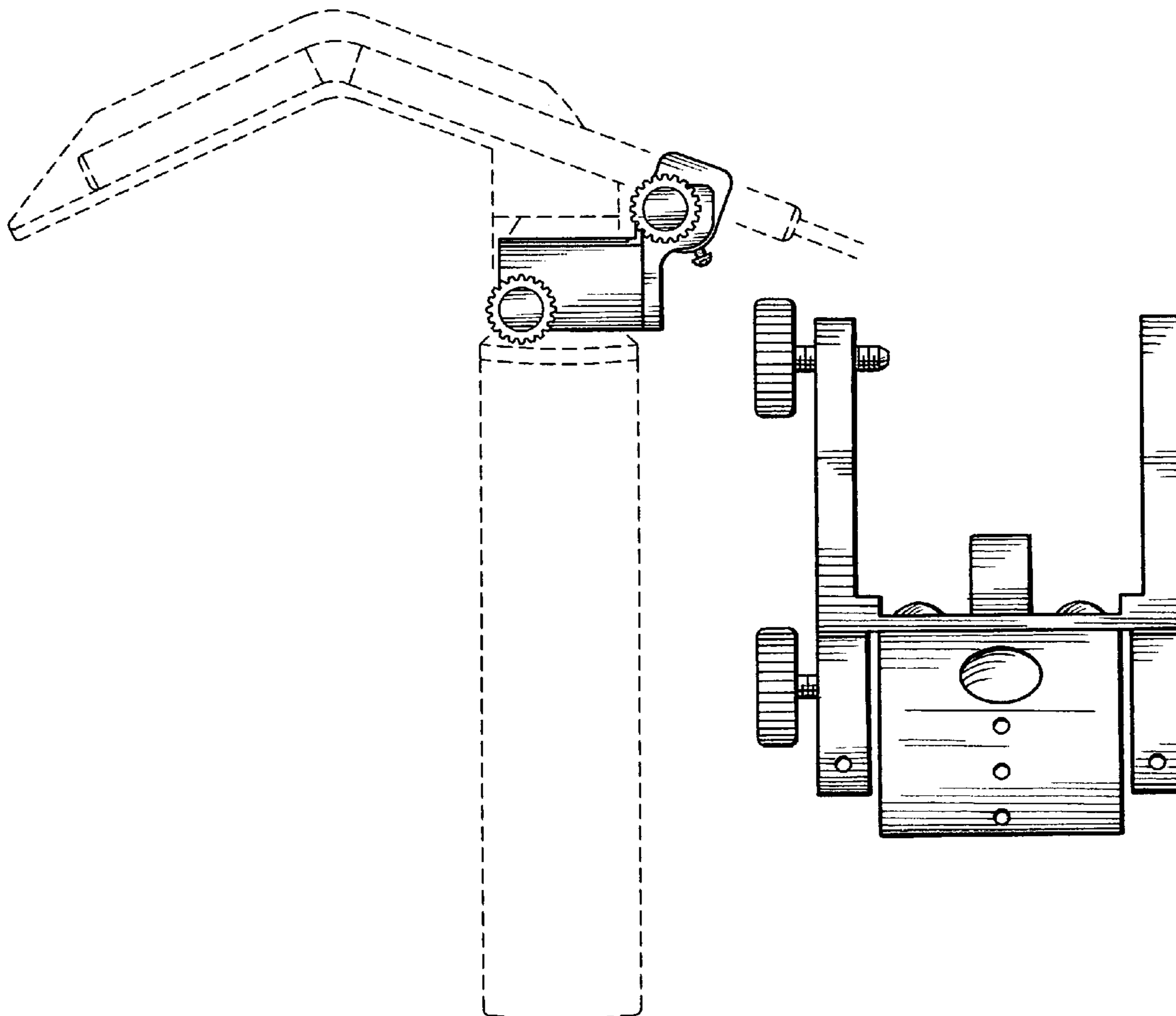
(57) **CLAIM**

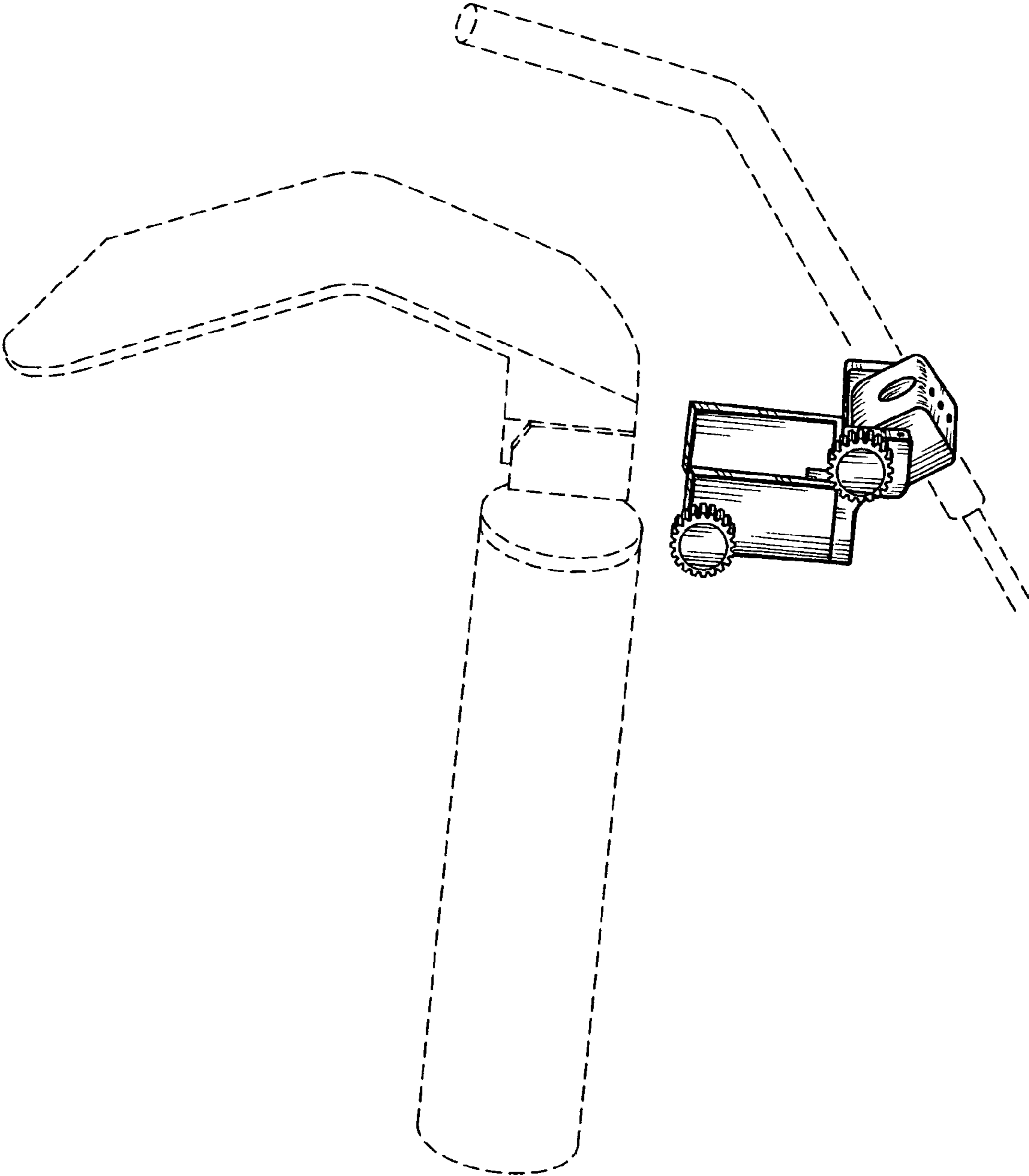
The ornamental design for a bracket for securing laryngoscope components, as shown and described.

**DESCRIPTION**

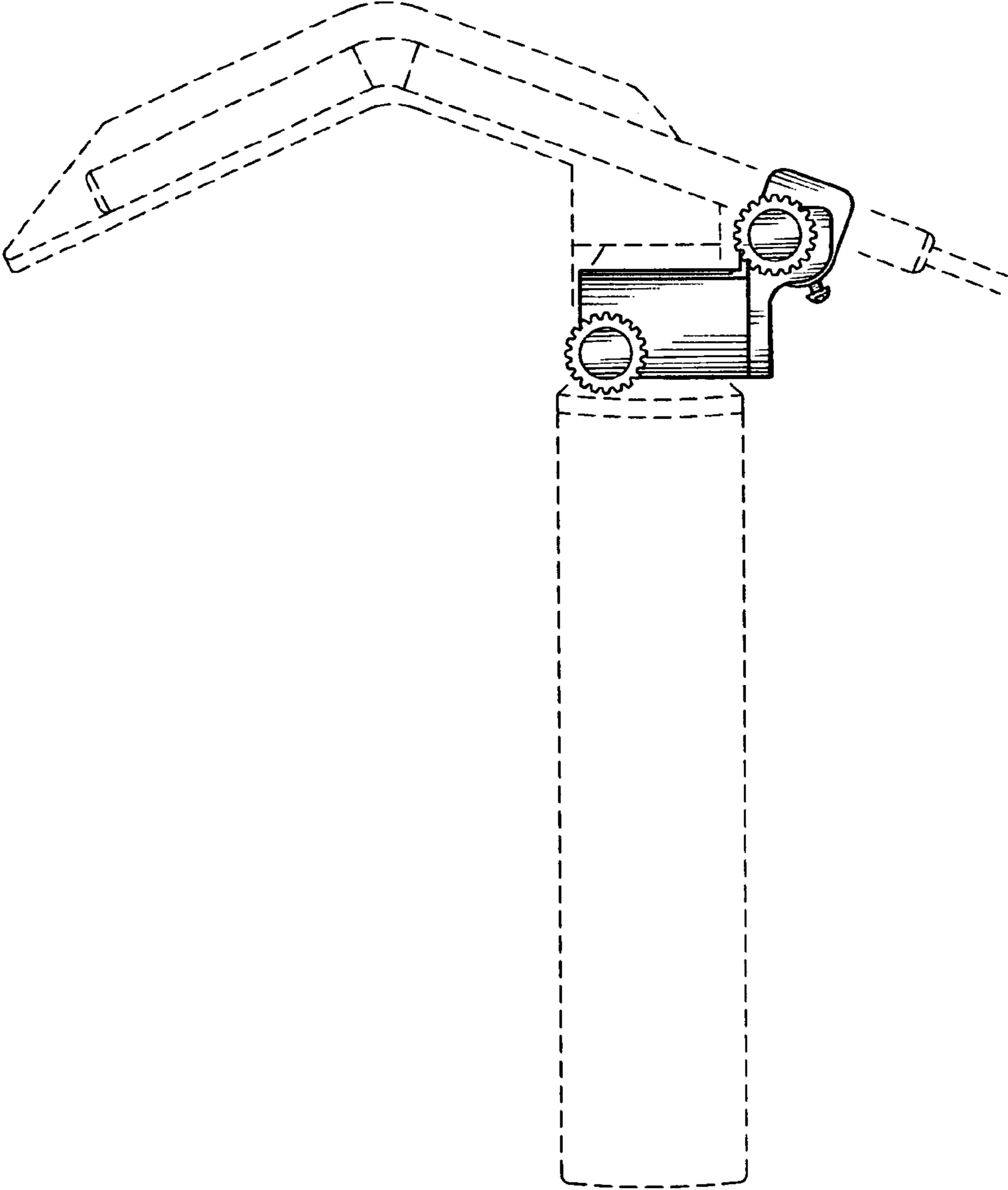
FIG. 1 is a perspective top and side view of a bracket for securing laryngoscope components showing my new design; FIG. 2 is a side view thereof; FIG. 3 is an enlarged front view thereof; FIG. 4 is an enlarged rear view thereof; FIG. 5 is an enlarged top view thereof; and, FIG. 6 is an enlarged bottom view thereof. The laryngoscope component illustrated in broken lines is directed to environment; the broken lines form no part of the claimed design.

**1 Claim, 4 Drawing Sheets**

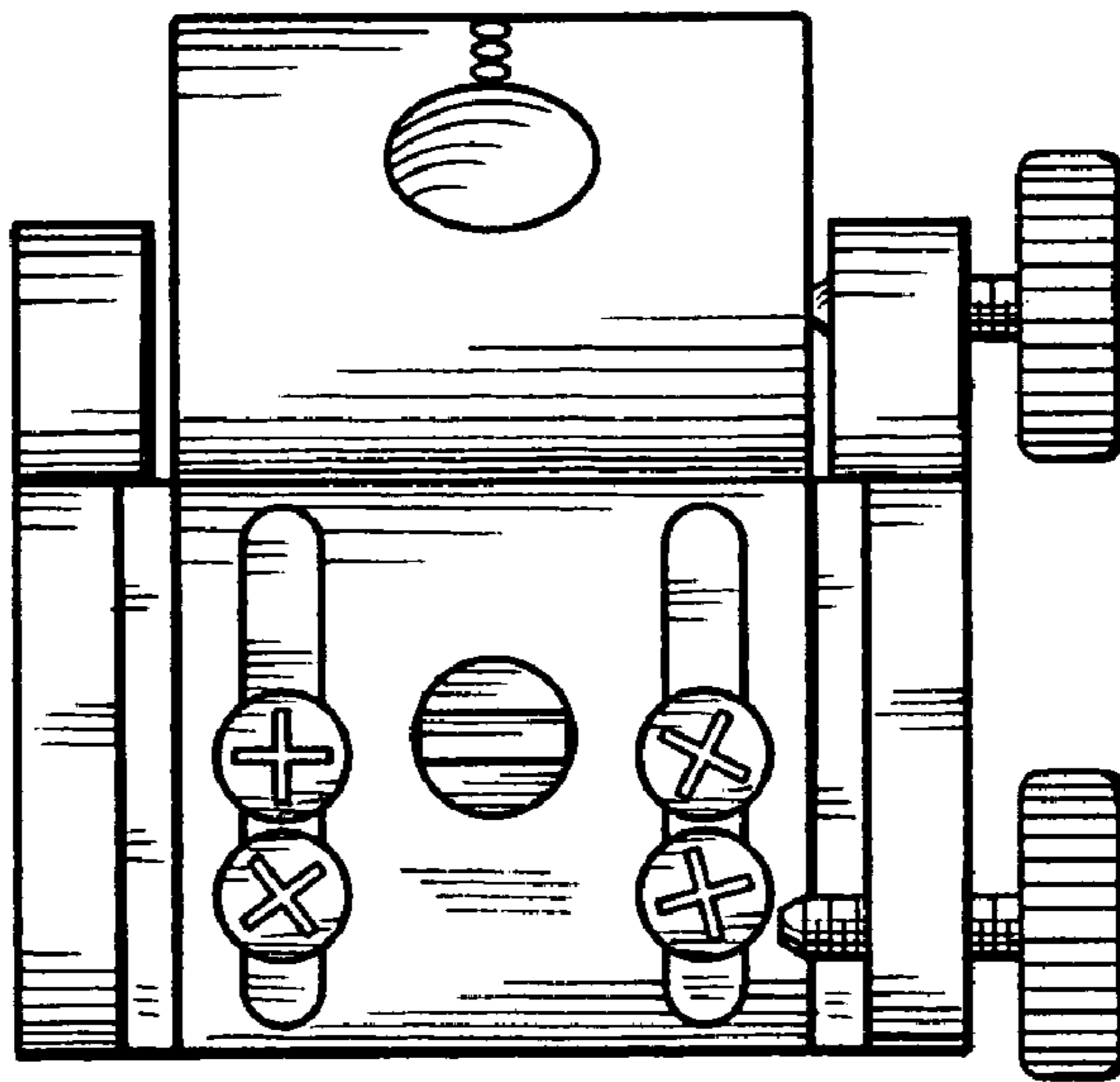




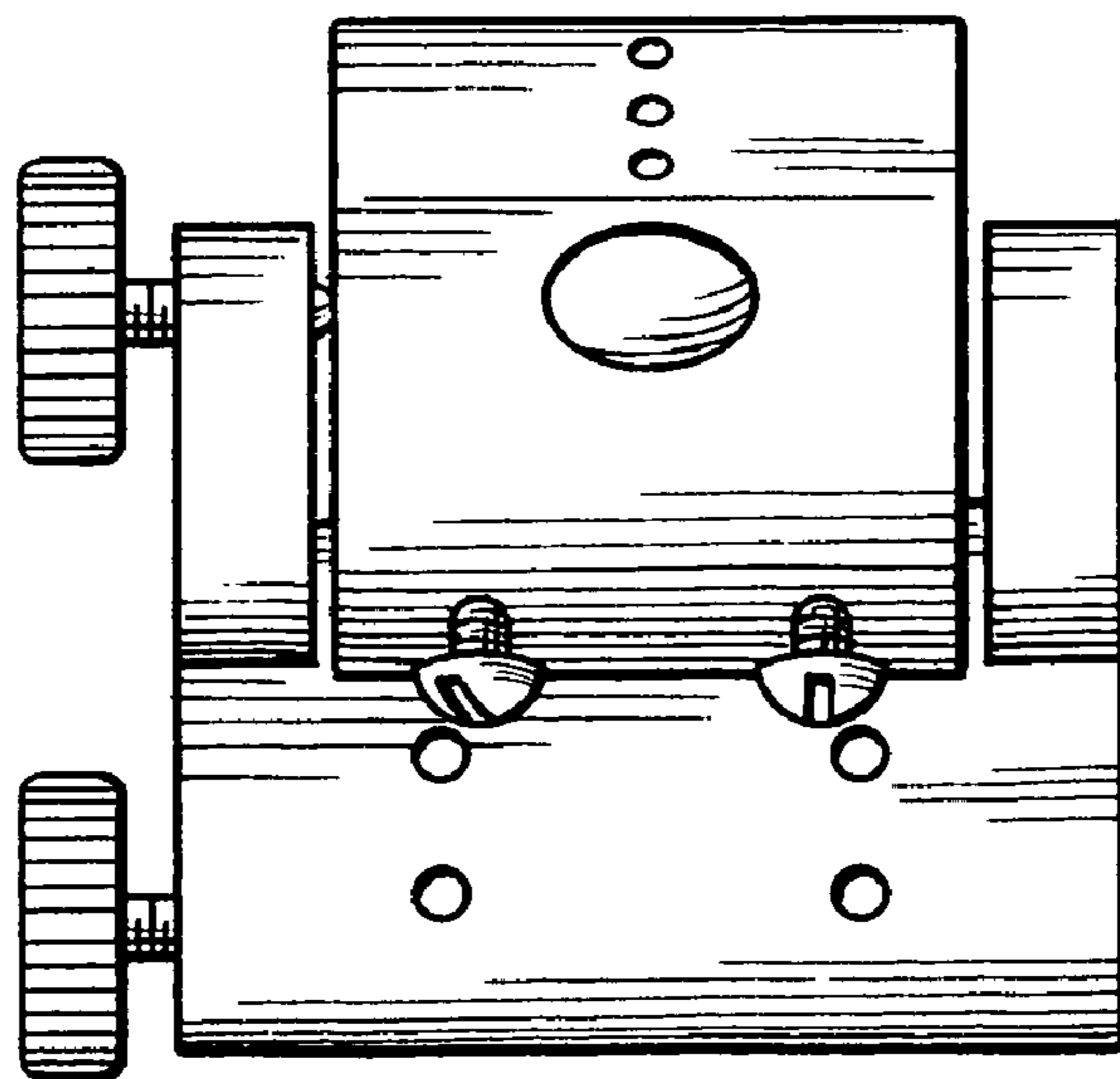
**FIG. 1**



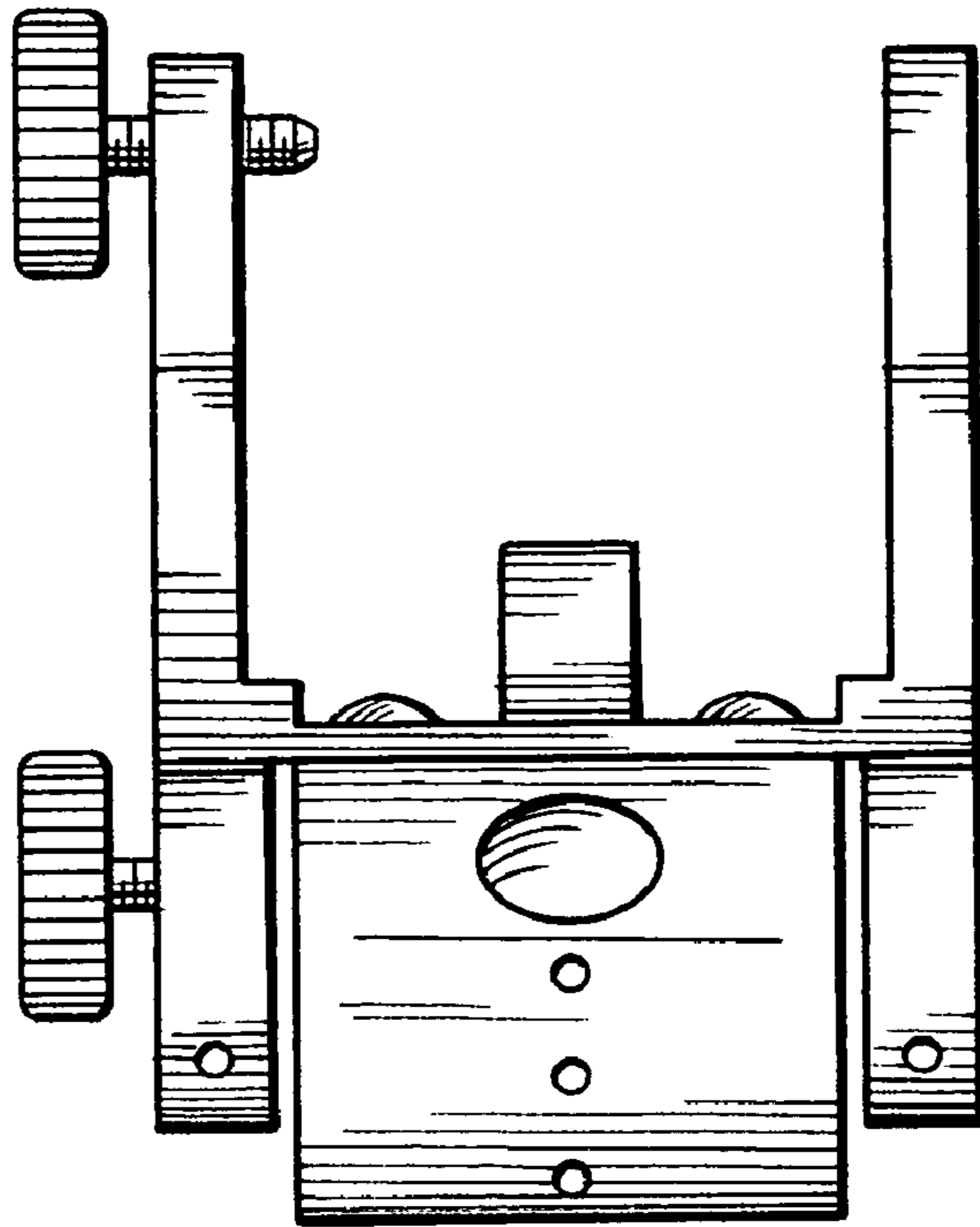
**FIG. 2**



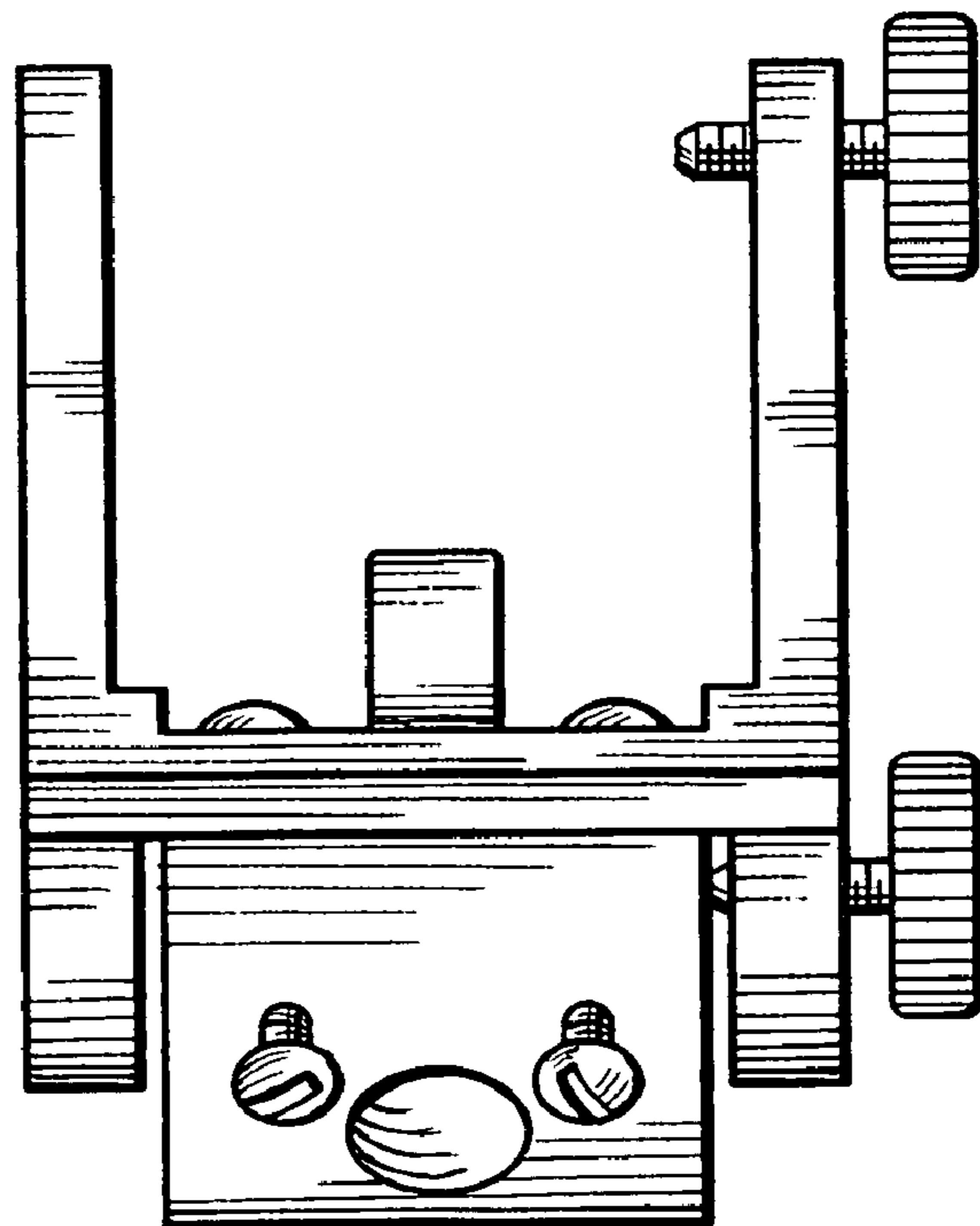
**FIG. 3**



**FIG. 4**



**FIG. 5**



**FIG. 6**