

US00D660422S

(12) **United States Design Patent**
Hermle

(10) **Patent No.:** **US D660,422 S**

(45) **Date of Patent:** **** May 22, 2012**

(54) **SPATE FOR THYROID SURGERY**
(75) Inventor: **Rainer Hermle**, Gosheim (DE)
(73) Assignee: **Karl Storz GmbH & Co. KG** (DE)
(**) Term: **14 Years**

D581,050 S * 11/2008 Cottier D24/133
D603,046 S * 10/2009 Frey D24/146
D604,842 S * 11/2009 Bisleri D24/133
D622,380 S * 8/2010 Vernooij et al. D24/135
D623,741 S * 9/2010 Kupferschmid et al. D24/135
D629,516 S * 12/2010 Firmin D24/135
2003/0065349 A1 * 4/2003 Hess et al. 606/159
2008/0255600 A1 * 10/2008 Braam et al. 606/190

* cited by examiner

(21) Appl. No.: **29/394,885**
(22) Filed: **Jun. 22, 2011**

Primary Examiner — Bridget L Eland
(74) *Attorney, Agent, or Firm* — St. Onge Steward Johnston & Reens LLC

(30) **Foreign Application Priority Data**
Dec. 23, 2010 (EM) 001798331-0008
(51) **LOC (9) Cl.** **24-02**
(52) **U.S. Cl.** **D24/133**
(58) **Field of Classification Search** D24/133,
D24/135, 137, 138, 146, 147; 600/104, 114,
600/210; 604/19, 35, 22, 317, 319; 606/1,
606/107, 130, 190
See application file for complete search history.

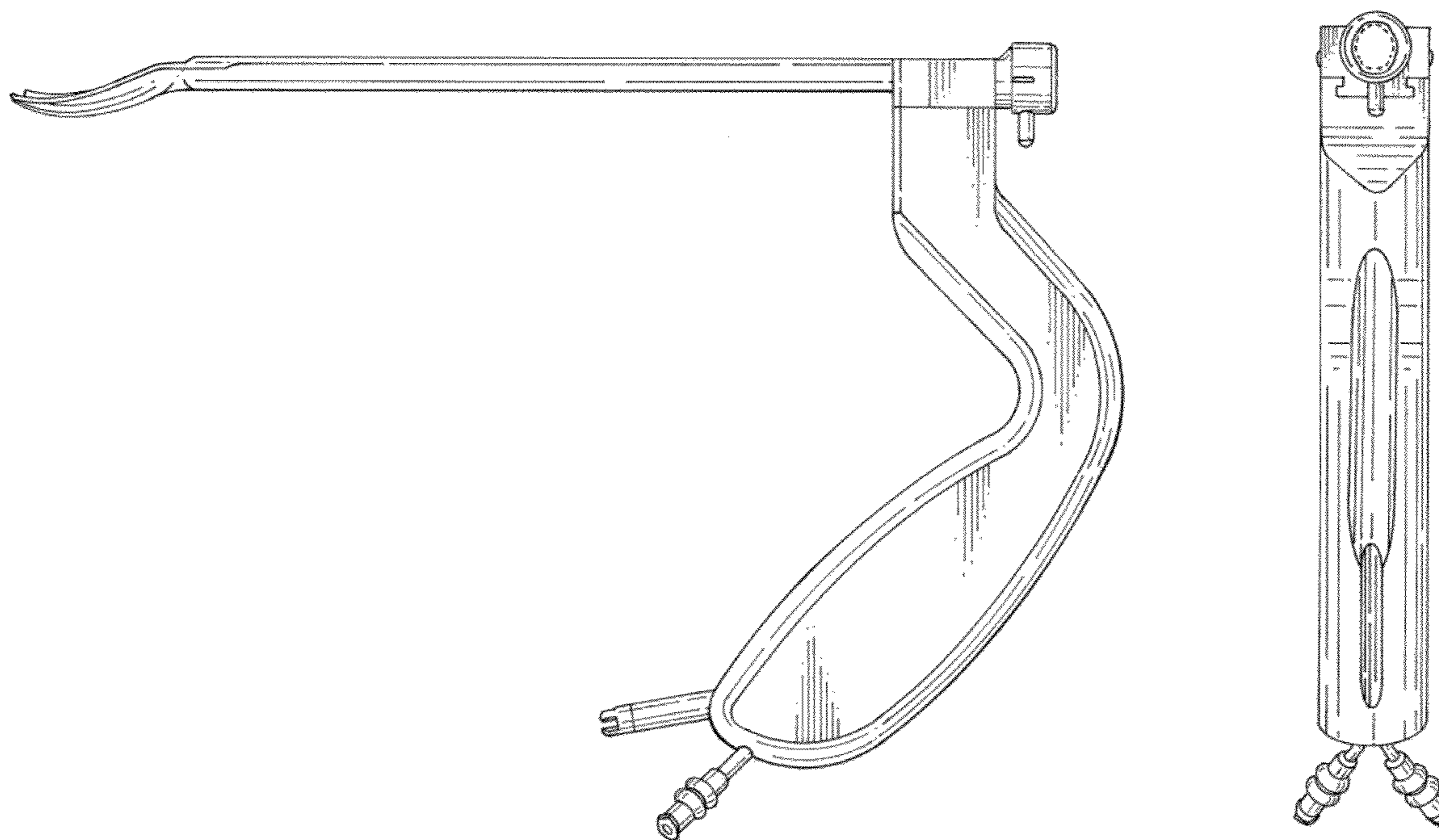
(57) **CLAIM**
The ornamental design for a spate for thyroid surgery, as shown and described.

(56) **References Cited**
U.S. PATENT DOCUMENTS
5,722,934 A * 3/1998 Knight et al. 600/201
5,902,315 A * 5/1999 DuBois 606/190
6,129,661 A * 10/2000 Iafrati et al. 600/121
6,413,208 B1 * 7/2002 Schollhorn et al. 600/164
7,314,479 B2 * 1/2008 Wellman et al. 606/205

DESCRIPTION

FIG. 1 is a front left side perspective view of a spate for thyroid surgery in accordance with the new design;
FIG. 2 is a left side elevation view thereof;
FIG. 3 is a right side elevation view thereof;
FIG. 4 is a front elevation view thereof;
FIG. 5 is a rear elevation view thereof;
FIG. 6 is a top plan view thereof; and,
FIG. 7 is a bottom plan view thereof.
The broken lines immediately adjacent to the shaded areas in FIG. 5 represent bounds of the design, with the lines themselves and the areas within them forming no part of the claimed design.

1 Claim, 5 Drawing Sheets



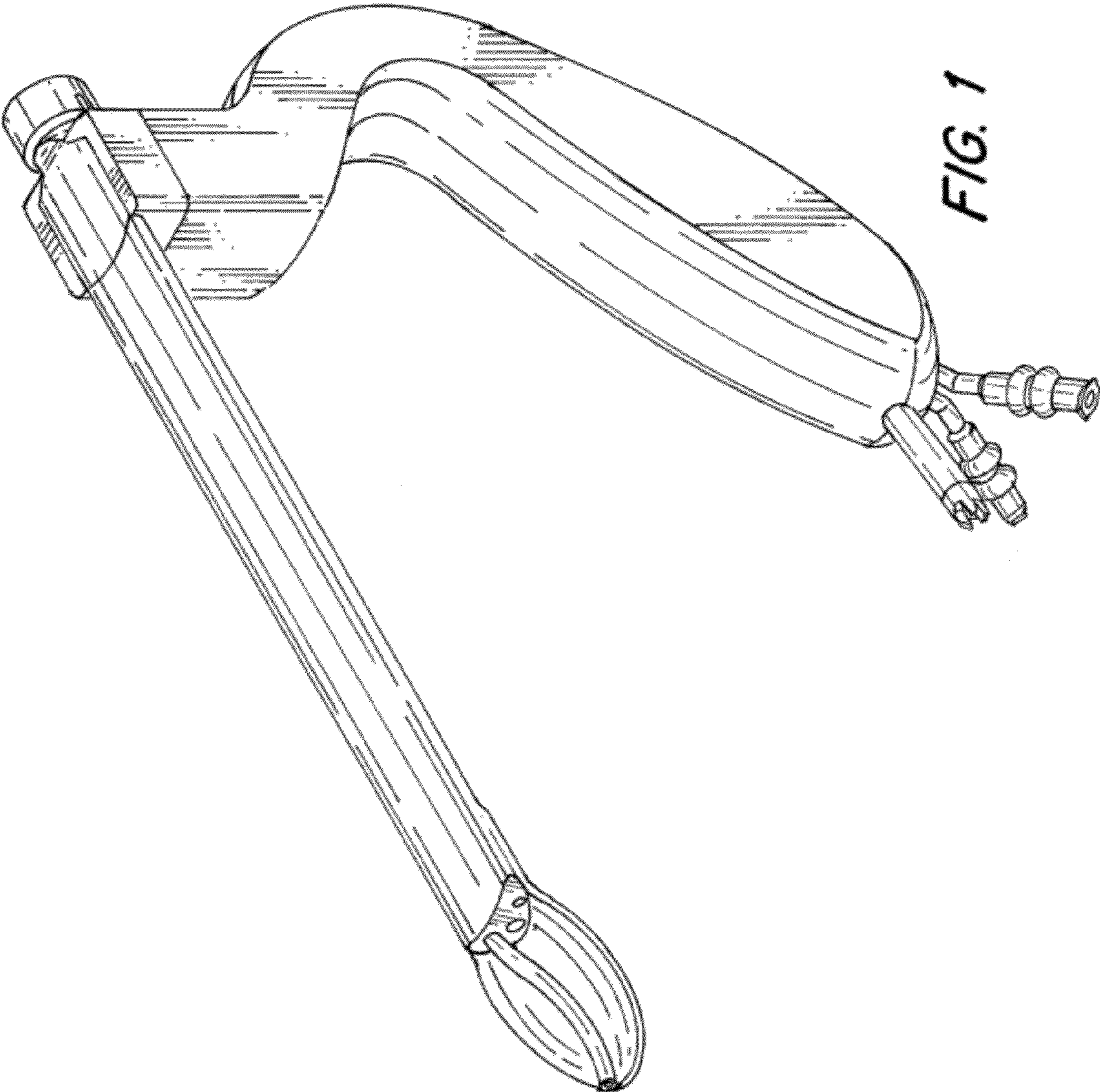


FIG. 1

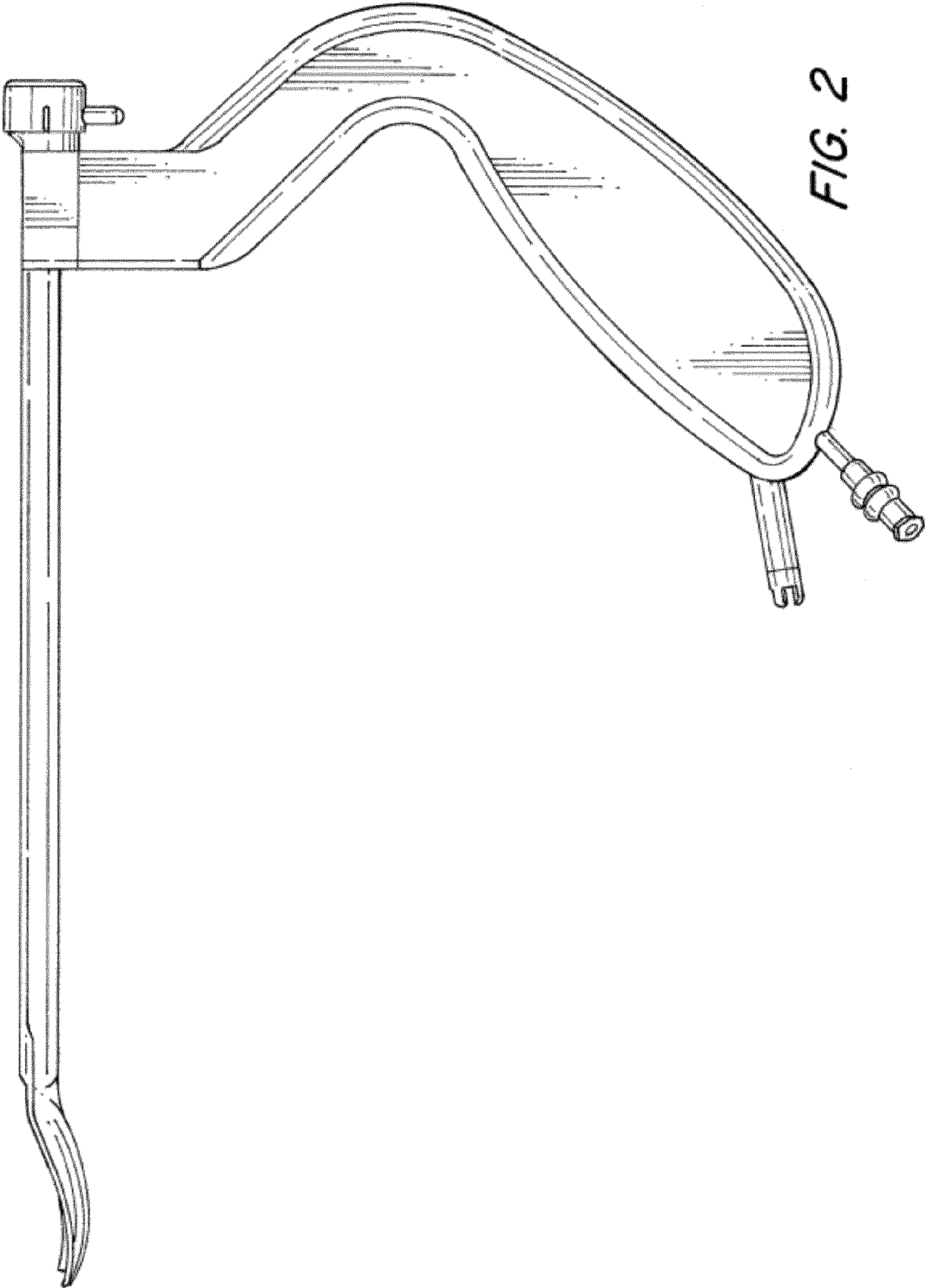


FIG. 2

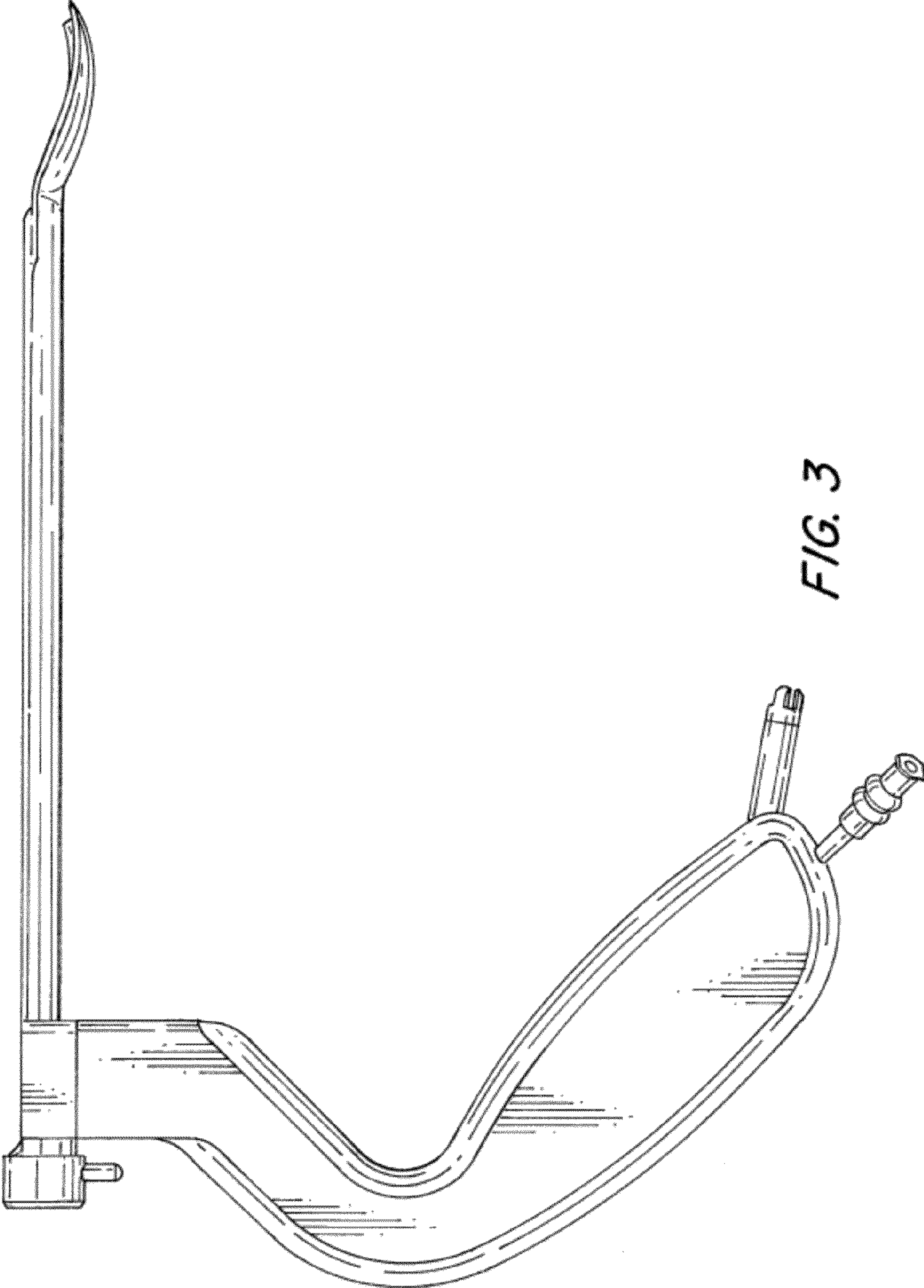


FIG. 3

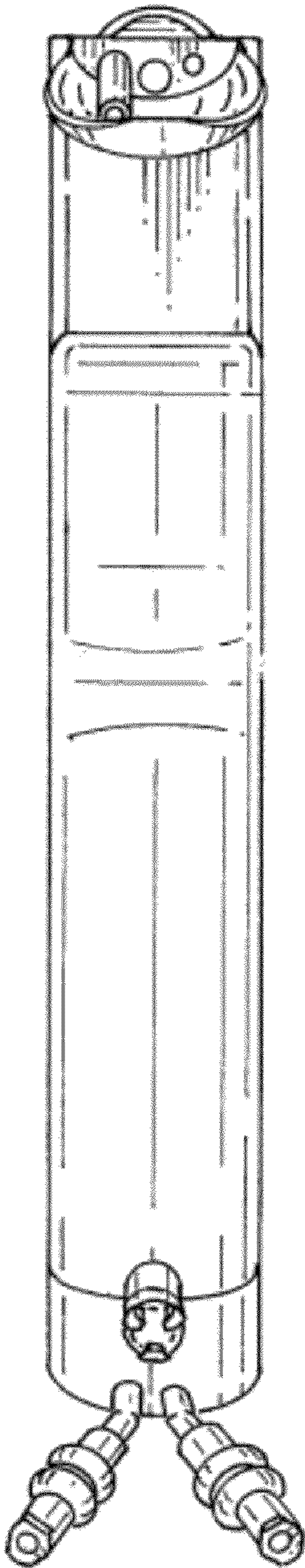


FIG. 4

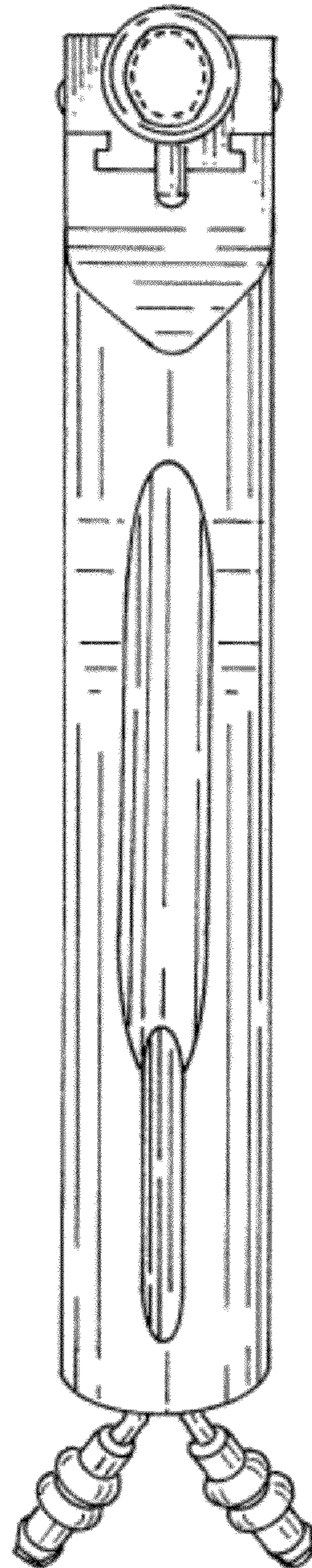


FIG. 5

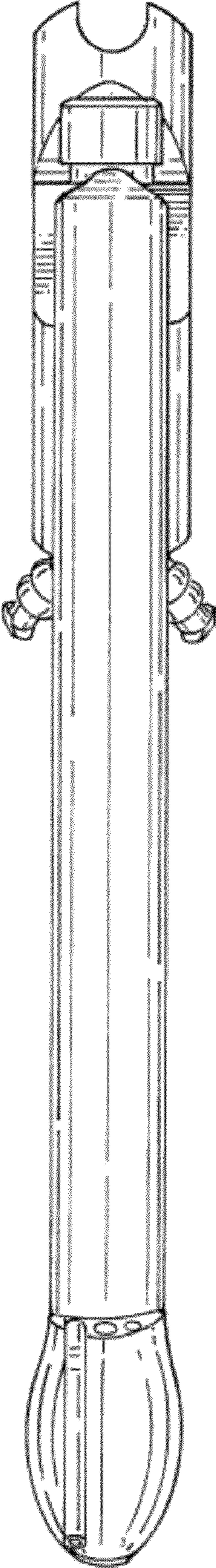


FIG. 6

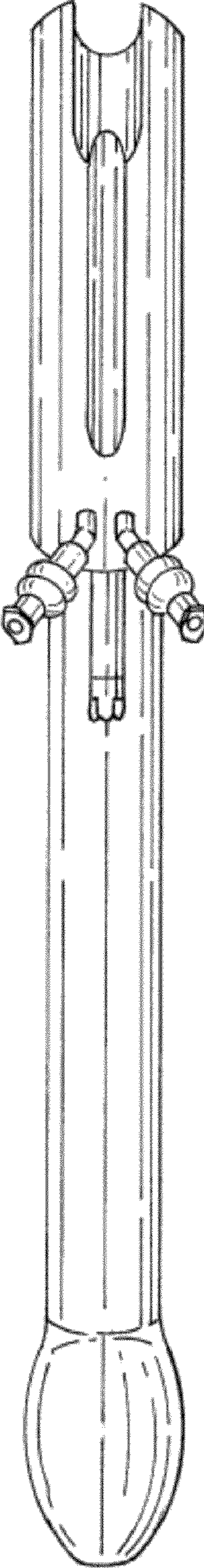


FIG. 7