

US00D660420S

(12) **United States Design Patent**  
**Shaw et al.**

(10) **Patent No.:** **US D660,420 S**

(45) **Date of Patent:** **\*\* \*May 22, 2012**

(54) **HOUSING FOR COLLECTION DEVICE FOR BODILY FLUIDS**

(75) Inventors: **Thomas J. Shaw**, Frisco, TX (US);  
**Mark Small**, Leonard, TX (US); **Ni Zhu**, Plano, TX (US); **Nicoleh Tamaraya Larios**, Frisco, TX (US)

(73) Assignee: **Retractable Technologies, Inc.**, Little Elm, TX (US)

(\*) Notice: This patent is subject to a terminal disclaimer.

(\*\*) Term: **14 Years**

(21) Appl. No.: **29/400,366**

(22) Filed: **Aug. 26, 2011**

**Related U.S. Application Data**

(63) Continuation-in-part of application No. 29/366,778, filed on Jul. 29, 2010, now Pat. No. Des. 645,962.

(51) **LOC (9) Cl.** ..... **24-02**

(52) **U.S. Cl.** ..... **D24/130**

(58) **Field of Classification Search** ..... D24/112,  
D24/130, 113, 146; 604/110, 192, 195-196,  
604/410, 576, 577, 578, 583  
See application file for complete search history.

(56) **References Cited**

**U.S. PATENT DOCUMENTS**

4,641,663	A *	2/1987	Juhn	.....	600/578
5,120,311	A *	6/1992	Sagstetter et al.	.....	604/110
5,219,333	A *	6/1993	Sagstetter et al.	.....	604/110
5,312,372	A *	5/1994	DeHarde et al.	.....	604/198
5,411,492	A *	5/1995	Sturman et al.	.....	604/263
5,672,161	A *	9/1997	Allen et al.	.....	604/263

5,702,369	A *	12/1997	Mercereau	.....	604/192
D460,181	S *	7/2002	Swenson	.....	D24/130
D460,182	S *	7/2002	Swenson	.....	D24/130
D460,551	S *	7/2002	Swenson	.....	D24/130
D462,761	S *	9/2002	Swenson	.....	D24/130
D462,762	S *	9/2002	Swenson	.....	D24/130
D462,764	S *	9/2002	Swenson	.....	D24/130
D463,025	S *	9/2002	Swenson	.....	D24/130
D604,836	S *	11/2009	Crawford et al.	.....	D24/130
D604,837	S *	11/2009	Crawford et al.	.....	D24/130
D604,838	S *	11/2009	Crawford et al.	.....	D24/130
D604,839	S *	11/2009	Crawford et al.	.....	D24/130
D604,840	S *	11/2009	Crawford et al.	.....	D24/130
D604,841	S *	11/2009	Crawford et al.	.....	D24/130
D605,287	S *	12/2009	Crawford et al.	.....	D24/130
D613,398	S *	4/2010	Crawford et al.	.....	D24/130
D645,962	S *	9/2011	Shaw et al.	.....	D24/130

\* cited by examiner

*Primary Examiner* — T. Chase Nelson

*Assistant Examiner* — Eric Goodman

(74) *Attorney, Agent, or Firm* — Locke Lord, LLP

(57) **CLAIM**

The ornamental design for a housing for collection device for bodily fluids, as shown and described.

**DESCRIPTION**

FIG. 1 is a top perspective view of  
FIG. 2 is a front elevation view;  
FIG. 3 is a rear elevation view;  
FIG. 4 is a top plan view;  
FIG. 5 is the bottom plan view;  
FIG. 6 is a left end view; and,  
FIG. 7 is a right end view.

The broken line showing is included for the purpose of illustrating portions of the article and forms no part of the claimed design.

**1 Claim, 2 Drawing Sheets**

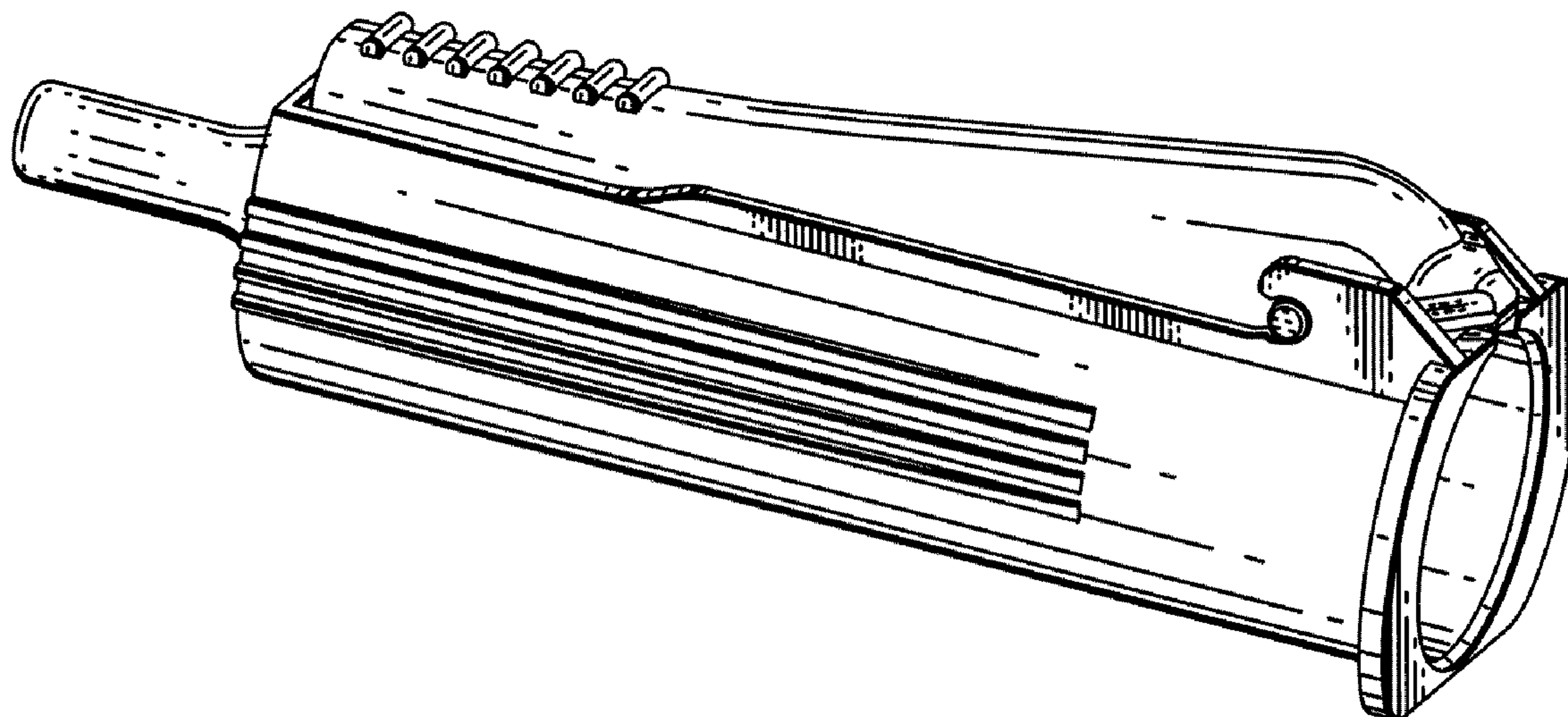


FIG. 1

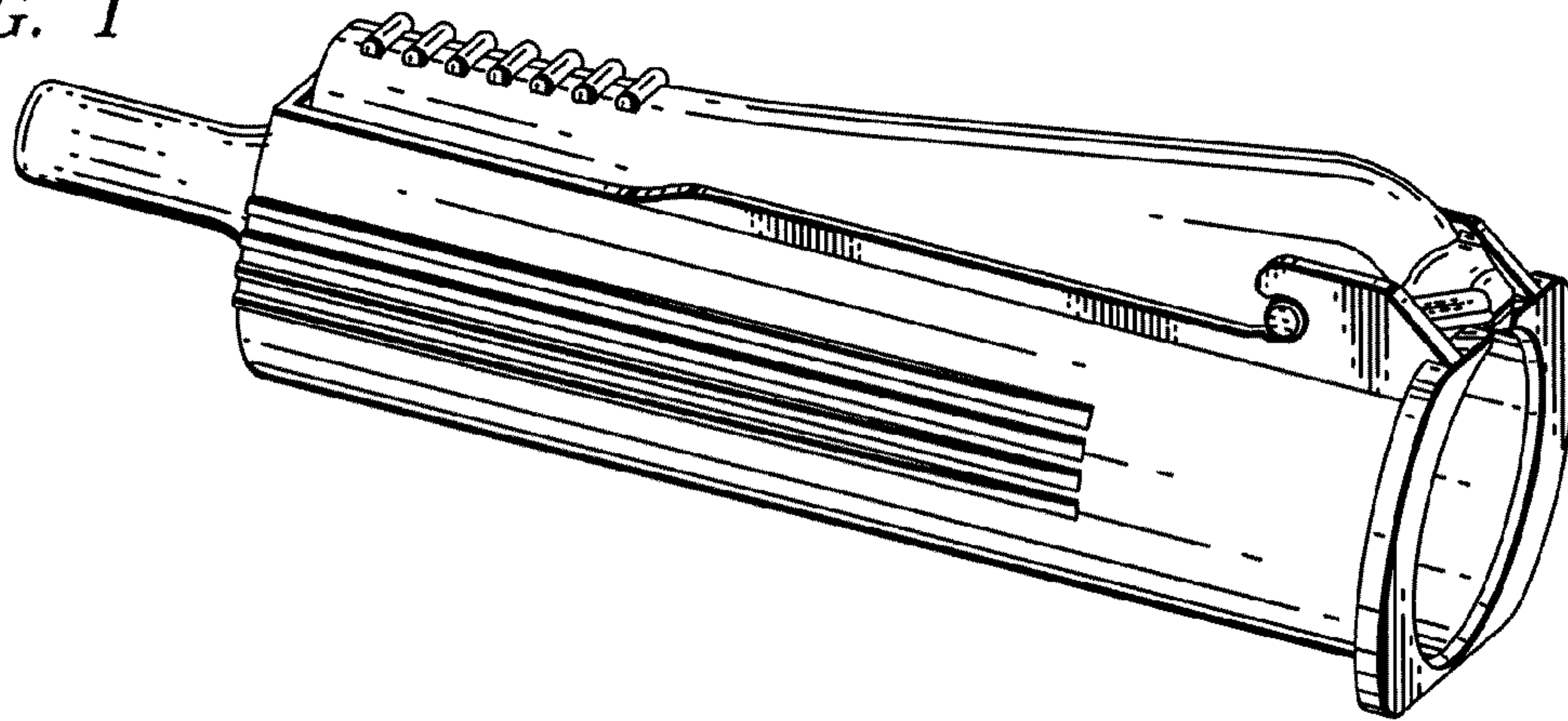


FIG. 2

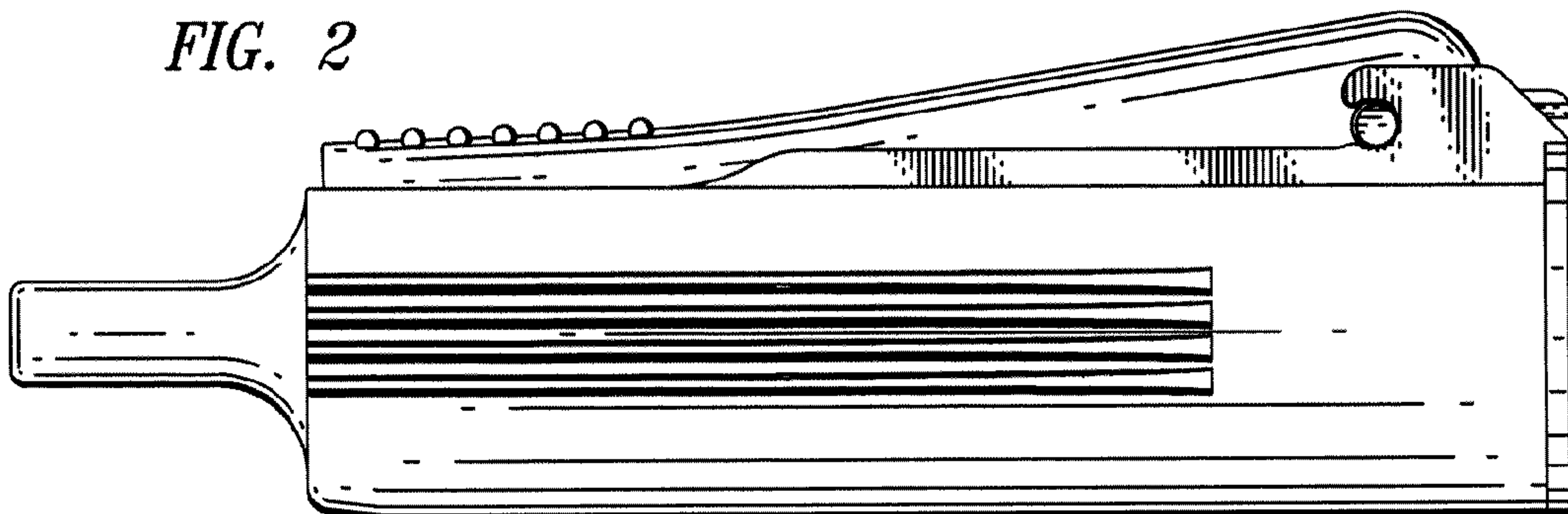


FIG. 3

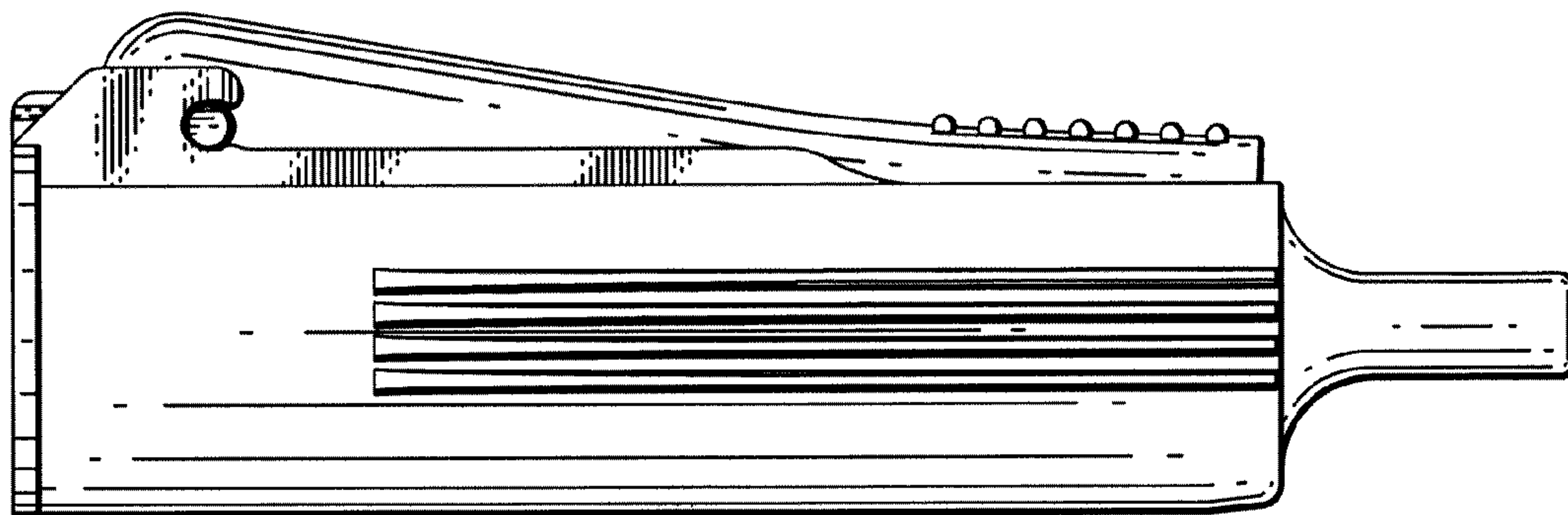


FIG. 4

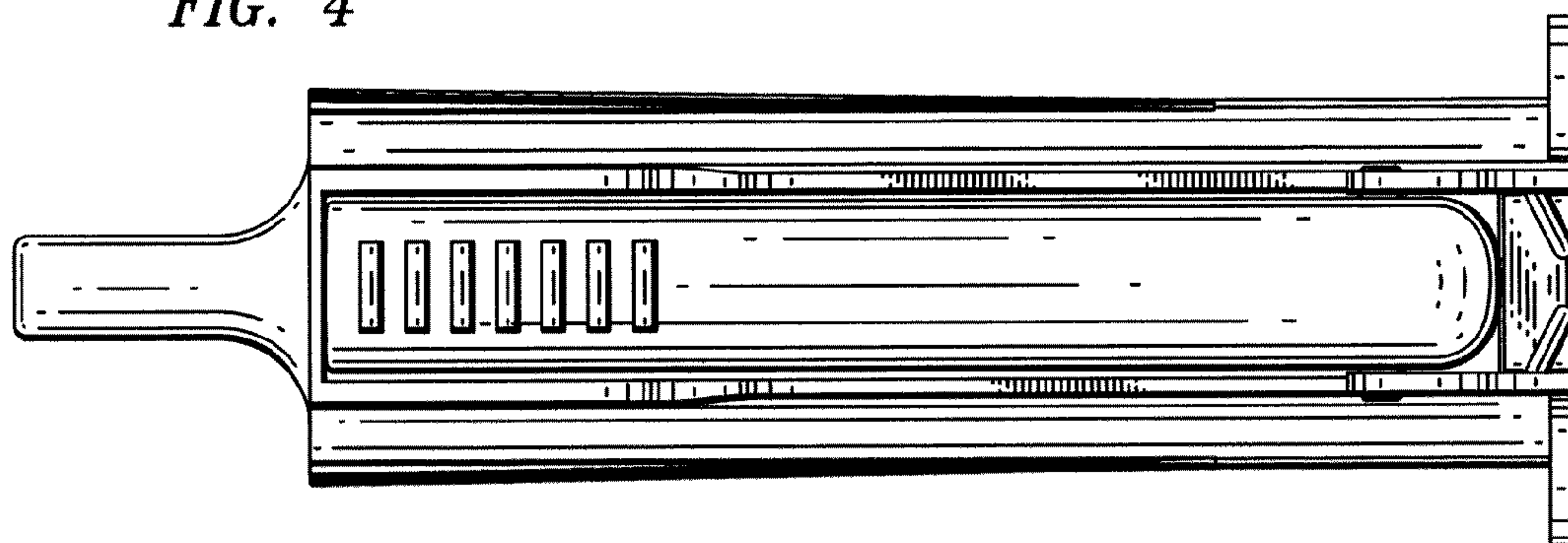




FIG. 5

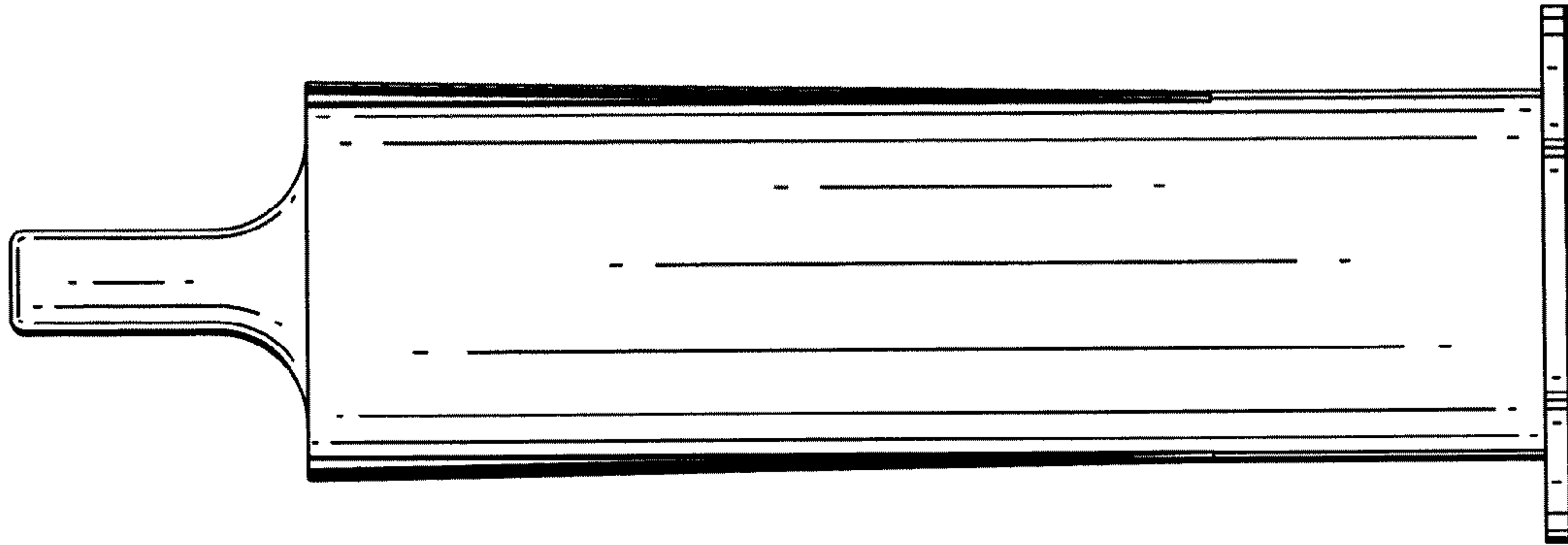


FIG. 6

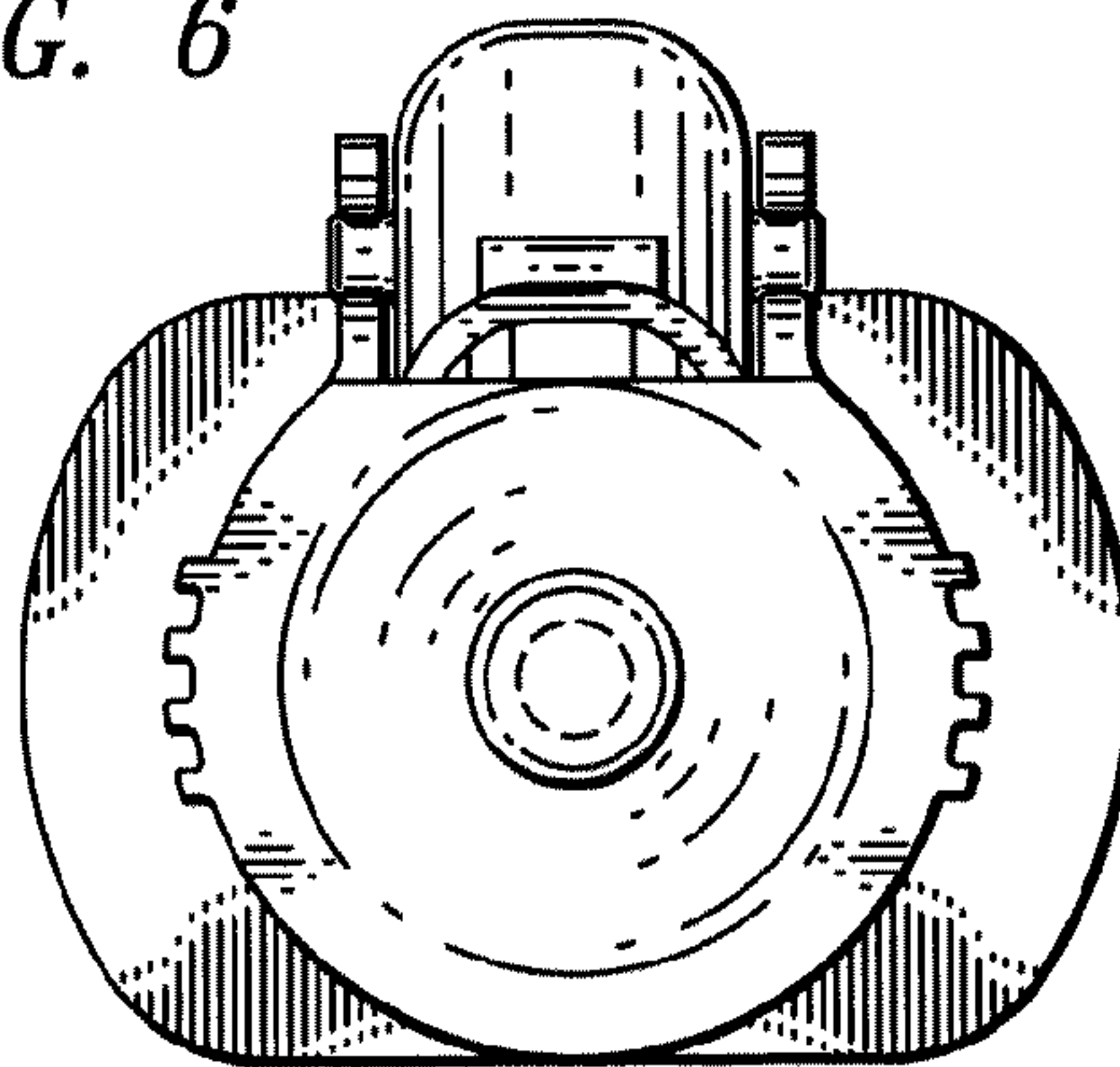


FIG. 7

