



US00D660419S

(12) **United States Design Patent**
Morgan et al.

(10) **Patent No.:** **US D660,419 S**
(45) **Date of Patent:** **** May 22, 2012**

(54) **NEEDLE TIP CAP FOR A MEDICATION ADMINISTRATION DEVICE**

(75) Inventors: **Darrell P. Morgan**, Sonning Common (GB); **Alex Lee**, New York, NY (US); **Dan Formosa**, Piermont, NY (US); **Steven Vordenberg**, Amherst, NH (US); **Joern Vicari**, Brooklyn, NY (US); **Boris Kontorvich**, Brooklyn, NY (US); **Eric Freitag**, New York, NY (US)

(73) Assignee: **UCB Pharma, S.A.**, Brussels (BE)

(**) Term: **14 Years**

(21) Appl. No.: **29/391,246**

(22) Filed: **May 5, 2011**

Related U.S. Application Data

(62) Division of application No. 29/313,356, filed on Dec. 29, 2008, now Pat. No. Des. 641,078.

(51) **LOC (9) Cl.** **24-02**

(52) **U.S. Cl.** **D24/130**

(58) **Field of Classification Search** D24/112, D24/113, 114, 127, 130, 133, 144, 152; 433/80; 604/93.01, 93.02, 158, 163, 164.08, 181, 604/187, 192, 198, 185, 227, 232; 606/263
See application file for complete search history.

(56) **References Cited**

U.S. PATENT DOCUMENTS

984,037	A *	2/1911	Sheets	604/125
1,549,006	A *	8/1925	Kazmousky	604/227
1,707,880	A *	4/1929	Sheets	604/125
1,718,592	A *	6/1929	Smith	604/234
1,728,260	A *	9/1929	Marcy	604/232
2,678,647	A *	5/1954	Bruger	604/227
2,778,361	A *	1/1957	Huston	604/59
2,956,563	A *	10/1960	Sarnoff	604/232

2,986,141	A *	5/1961	Hart	604/206
3,016,895	A *	1/1962	Sein	604/60
4,834,717	A *	5/1989	Haber et al.	604/193
5,002,537	A *	3/1991	Hoffman et al.	604/232
5,112,307	A *	5/1992	Haber et al.	604/110
5,328,482	A	7/1994	Sircom et al.	
5,498,243	A	3/1996	Vallelunga et al.	
5,593,391	A *	1/1997	Stanners	604/232
5,728,076	A *	3/1998	Loos et al.	604/232
5,980,495	A	11/1999	Heinz et al.	
6,126,644	A	10/2000	Naganuma et al.	
6,616,634	B2 *	9/2003	Benz et al.	604/187
6,776,777	B2	8/2004	Barrelle	
7,033,343	B2 *	4/2006	McWethy et al.	604/506
7,094,224	B2	8/2006	Lourenco et al.	
7,699,609	B2 *	4/2010	Lawter et al.	433/90
7,985,216	B2	7/2011	Daily et al.	

(Continued)

Primary Examiner — Karen E Eldridge Powers

(74) *Attorney, Agent, or Firm* — Ropes & Gray LLP

(57) **CLAIM**

The ornamental design for a needle tip cap for a medication administration device, as shown and described.

DESCRIPTION

FIG. 1 is a perspective view of a needle tip cap for a medication administration device.

FIG. 2 is a top view of a needle tip cap for a medication administration device.

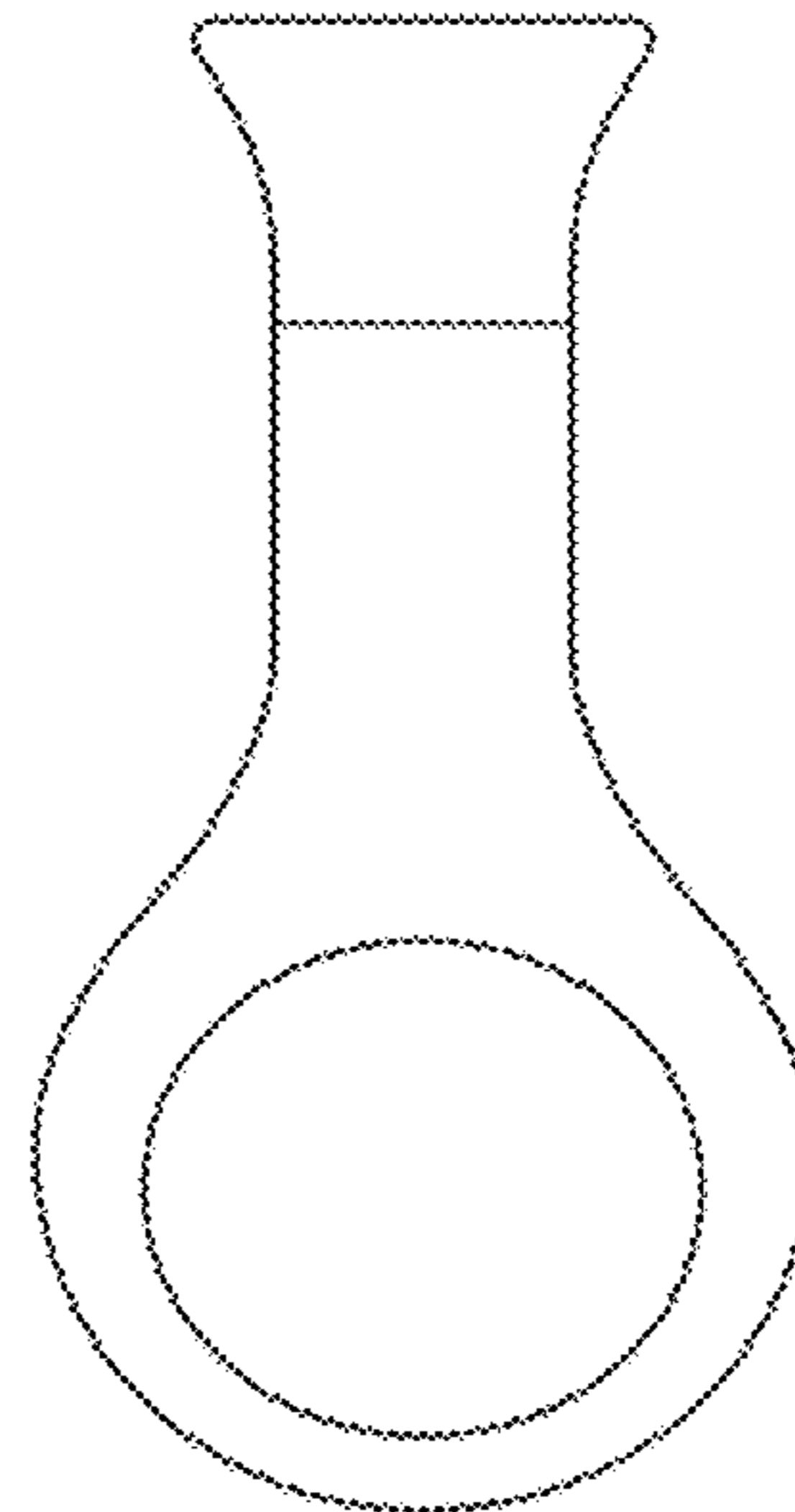
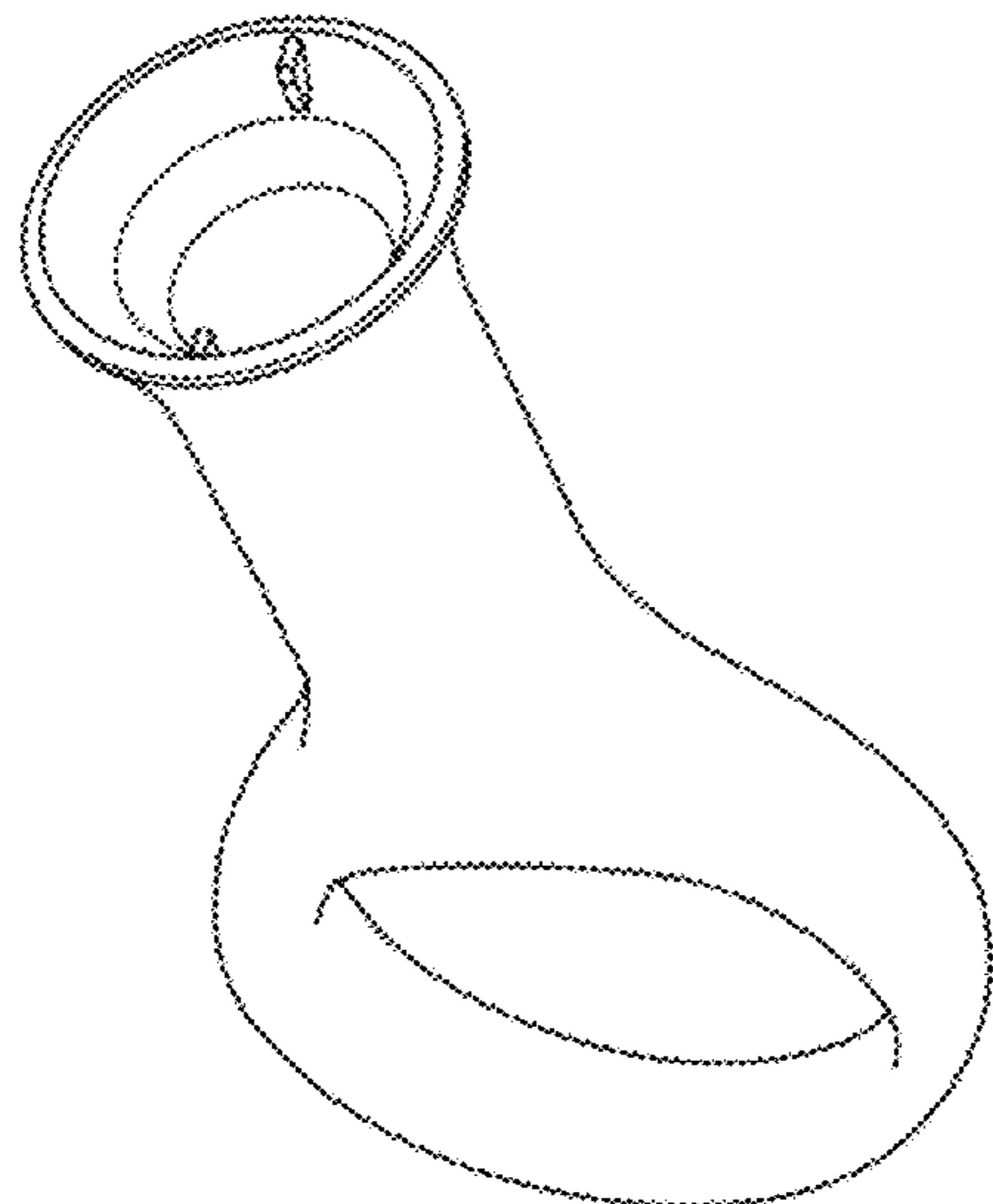
FIG. 3 is a side elevational view of a needle tip cap for a medication administration device.

FIG. 4 is a front elevational view of a needle tip cap for a medication administration device; and,

FIG. 5 is a bottom view of a needle tip cap for a medication administration device.

The broken lines shown in the figures are for the purpose of illustrating portions of the needle tip cap for a medication administration device and form no part of the claimed design.

1 Claim, 2 Drawing Sheets



US D660,419 S

Page 2

U.S. PATENT DOCUMENTS

2005/0288625	A1	12/2005	Rossback et al.	2010/0174236	A1	7/2010	Burns et al.
2006/0178644	A1	8/2006	Reynolds	2010/0204707	A1	8/2010	Tanaka et al.
2008/0200881	A1	8/2008	Emmott et al.	2010/0217205	A1	8/2010	Chevallier et al.
2009/0018604	A1	1/2009	Mitelberg et al.	2010/0318030	A1	12/2010	Jenkins
2009/0198192	A1	8/2009	Uematsu et al.	2011/0028909	A1	2/2011	Lum et al.
2009/0227956	A1	9/2009	Emmott et al.	2011/0028982	A1	2/2011	Lacy
2009/0299378	A1	12/2009	Knopp	2011/0054440	A1	3/2011	Lewis
2010/0057080	A1	3/2010	West				

* cited by examiner

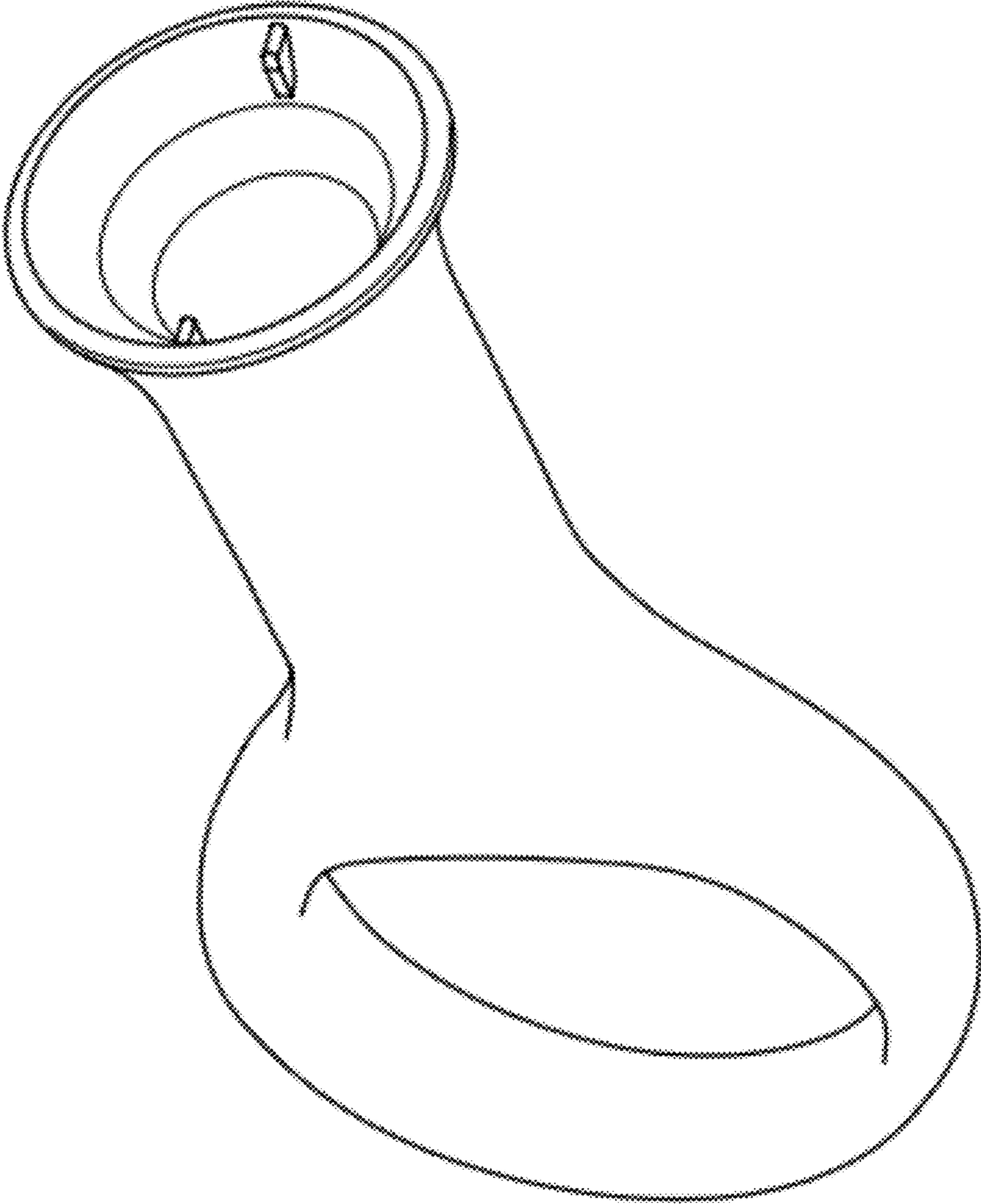


FIGURE 1

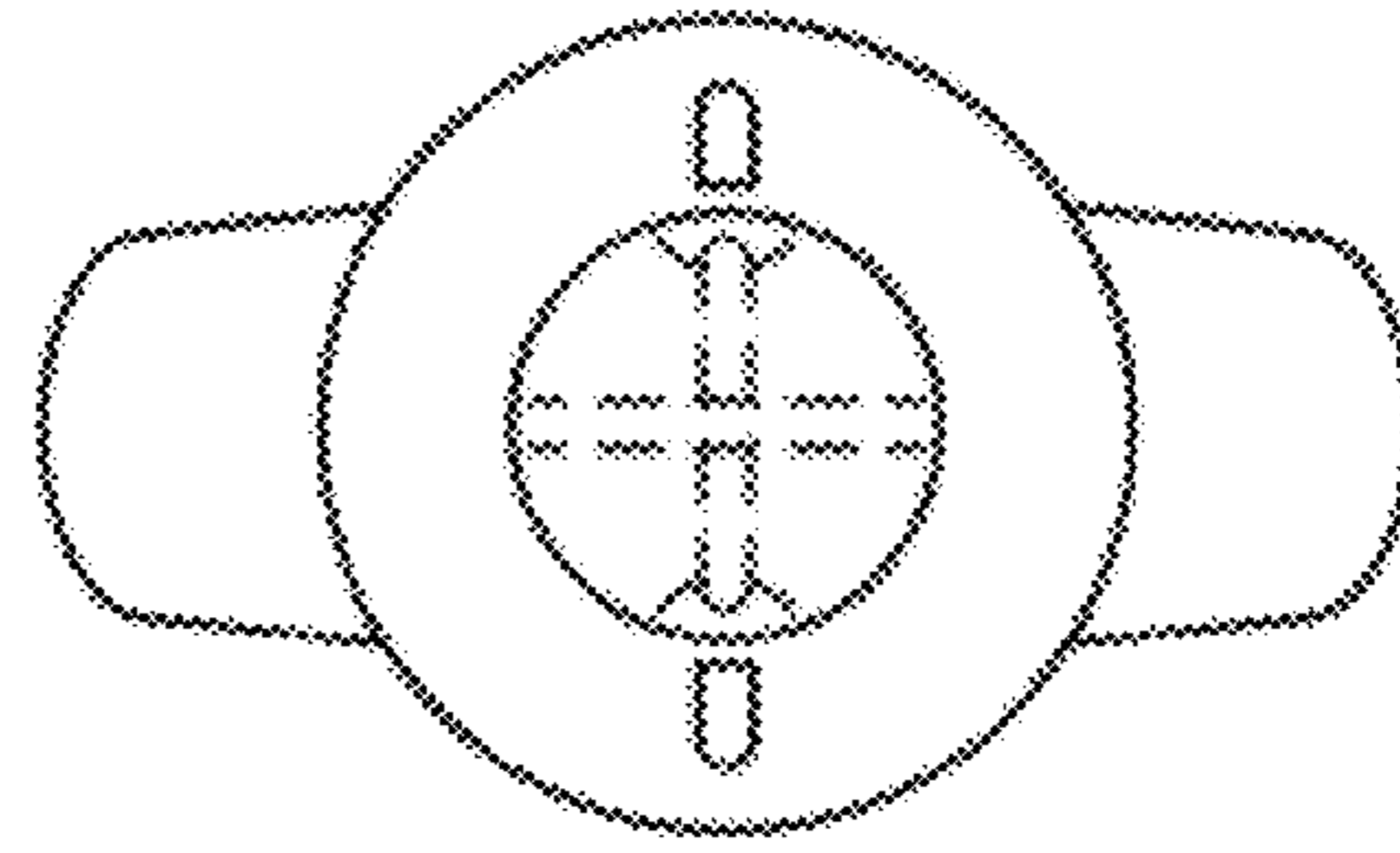


FIGURE 2

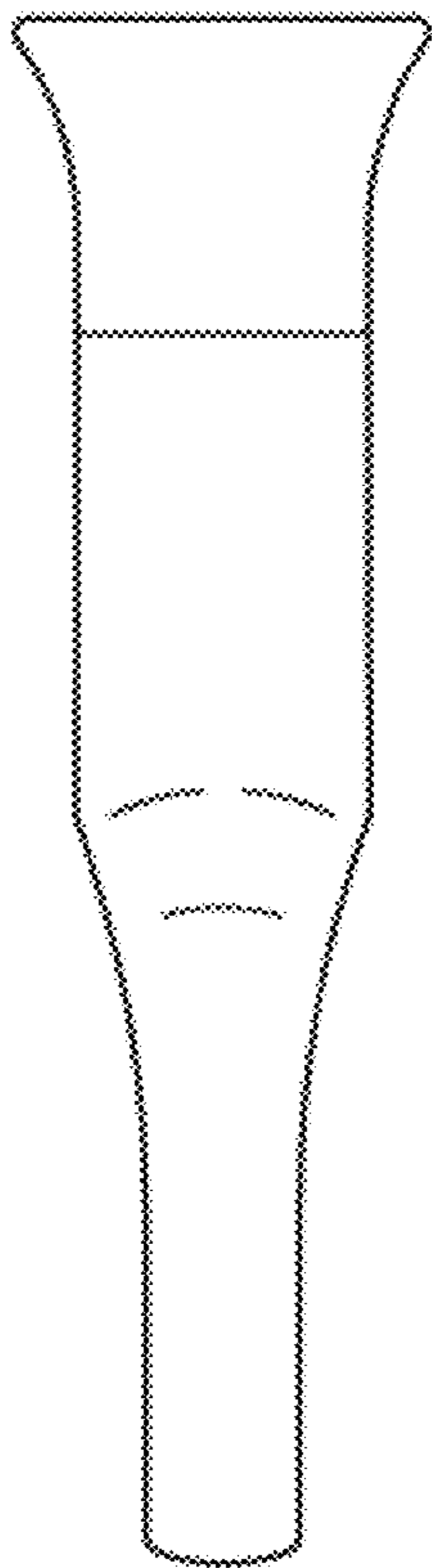


FIGURE 3

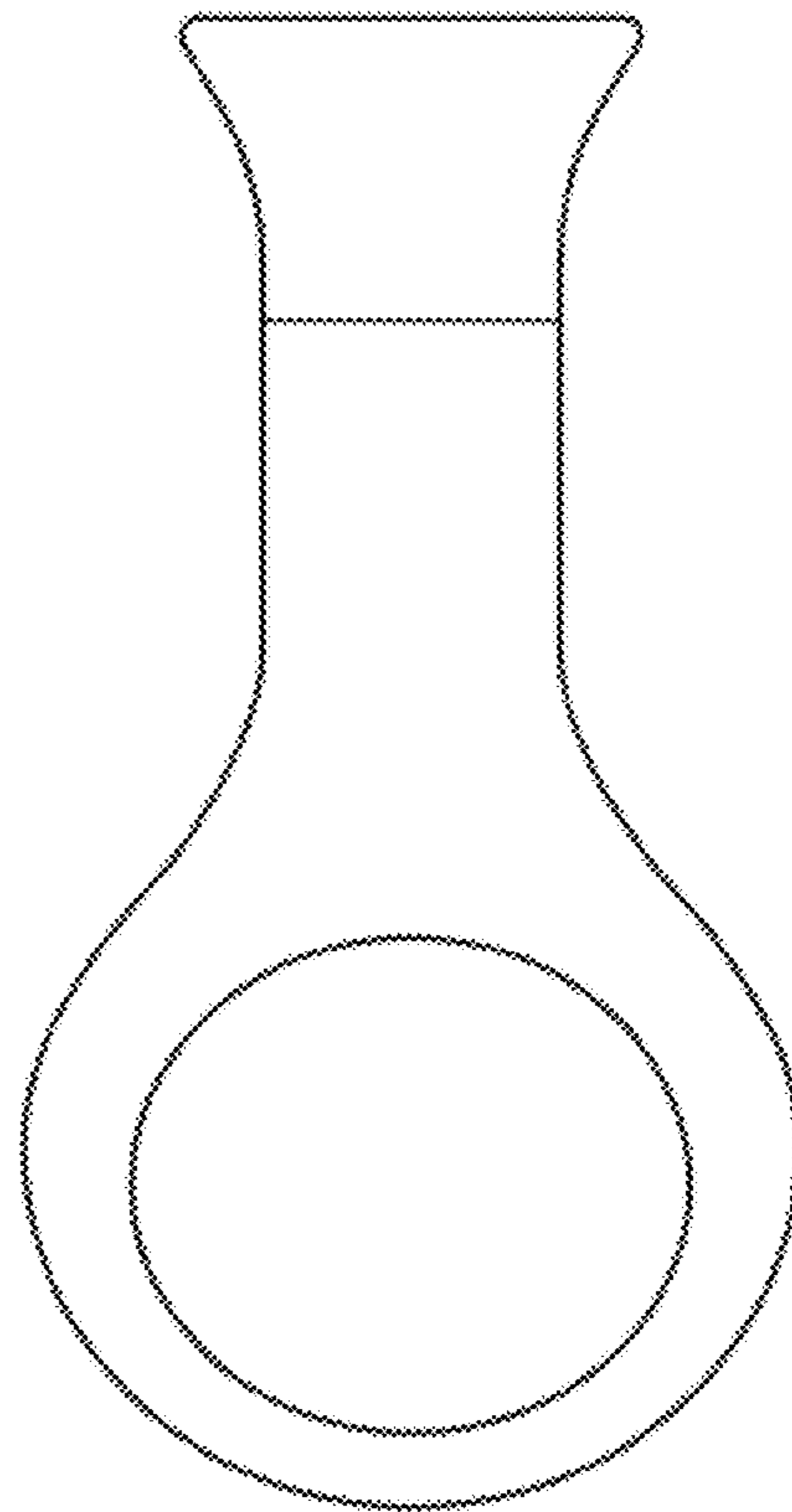


FIGURE 4

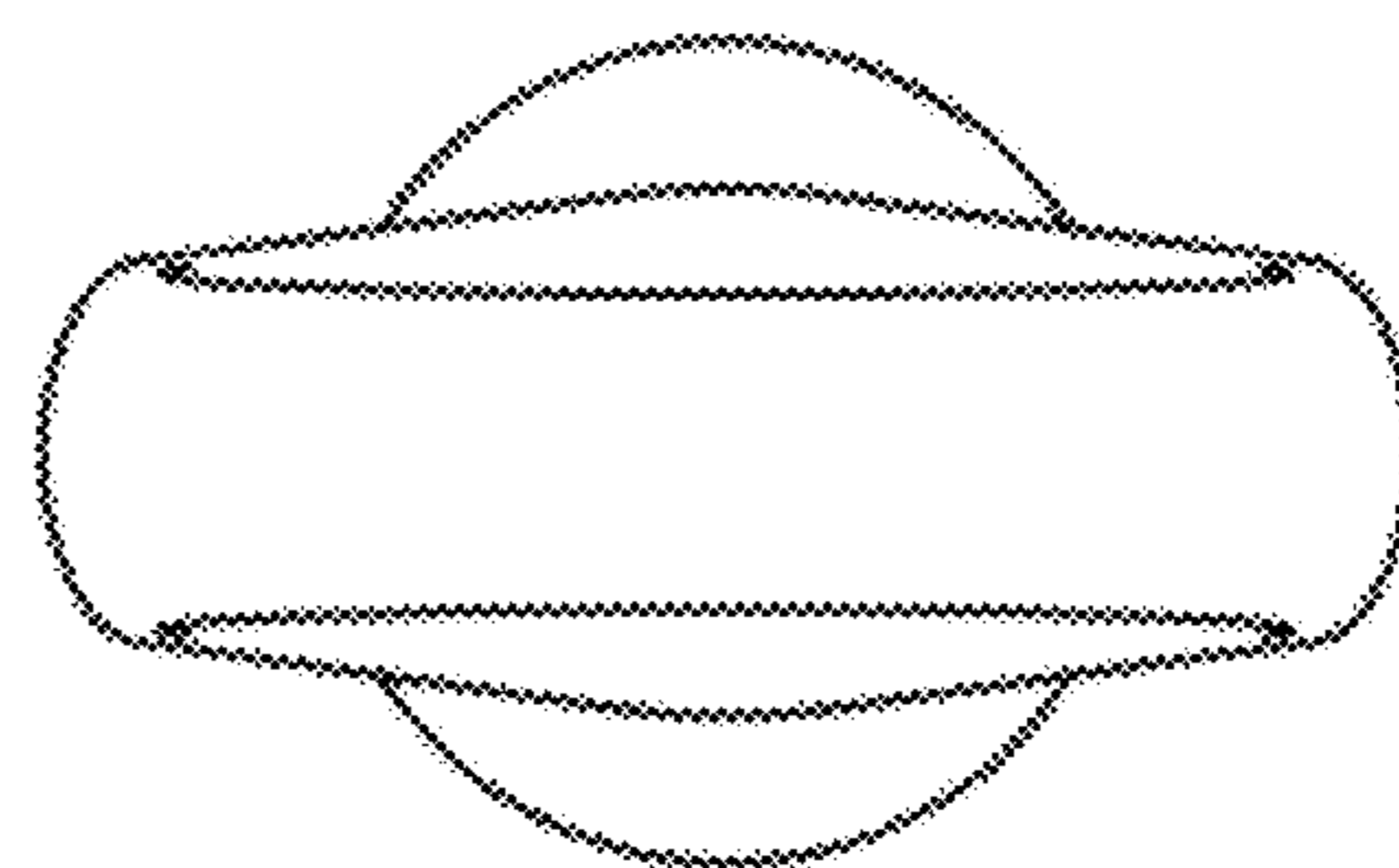


FIGURE 5