

US00D660416S

(12) **United States Design Patent**  
**Lechtenberg**

(10) **Patent No.:** **US D660,416 S**

(45) **Date of Patent:** **\*\* May 22, 2012**

(54) **CEILING MOUNT HAVING AN ARM ASSEMBLY FOR HOLDING A SURGICAL MICROSCOPE**

2006/0138288 A1\* 6/2006 Parsons ..... 248/125.7  
2007/0161970 A1\* 7/2007 Spohn et al. .... 604/533  
\* cited by examiner

(75) Inventor: **Rolf Lechtenberg**, Ulm (DE)

*Primary Examiner* — Joel Sincavage

*Assistant Examiner* — Eric L Goodman

(73) Assignee: **Carl Zeiss Meditec AG**, Jena (DE)

(74) *Attorney, Agent, or Firm* — Walter Ottesen

(\*\*) Term: **14 Years**

(57) **CLAIM**

The ornamental design for a ceiling mount having an arm assembly for holding a surgical microscope, as shown and described.

(21) Appl. No.: **29/274,386**

**DESCRIPTION**

(22) Filed: **Apr. 20, 2007**

(30) **Foreign Application Priority Data**

Apr. 2, 2007 (EM) ..... 000700257

(51) **LOC (9) Cl.** ..... **24-02**

(52) **U.S. Cl.** ..... **D24/128**

(58) **Field of Classification Search** ..... D24/128;  
248/317, 415, 418, 676; 359/382, 368, 369  
See application file for complete search history.

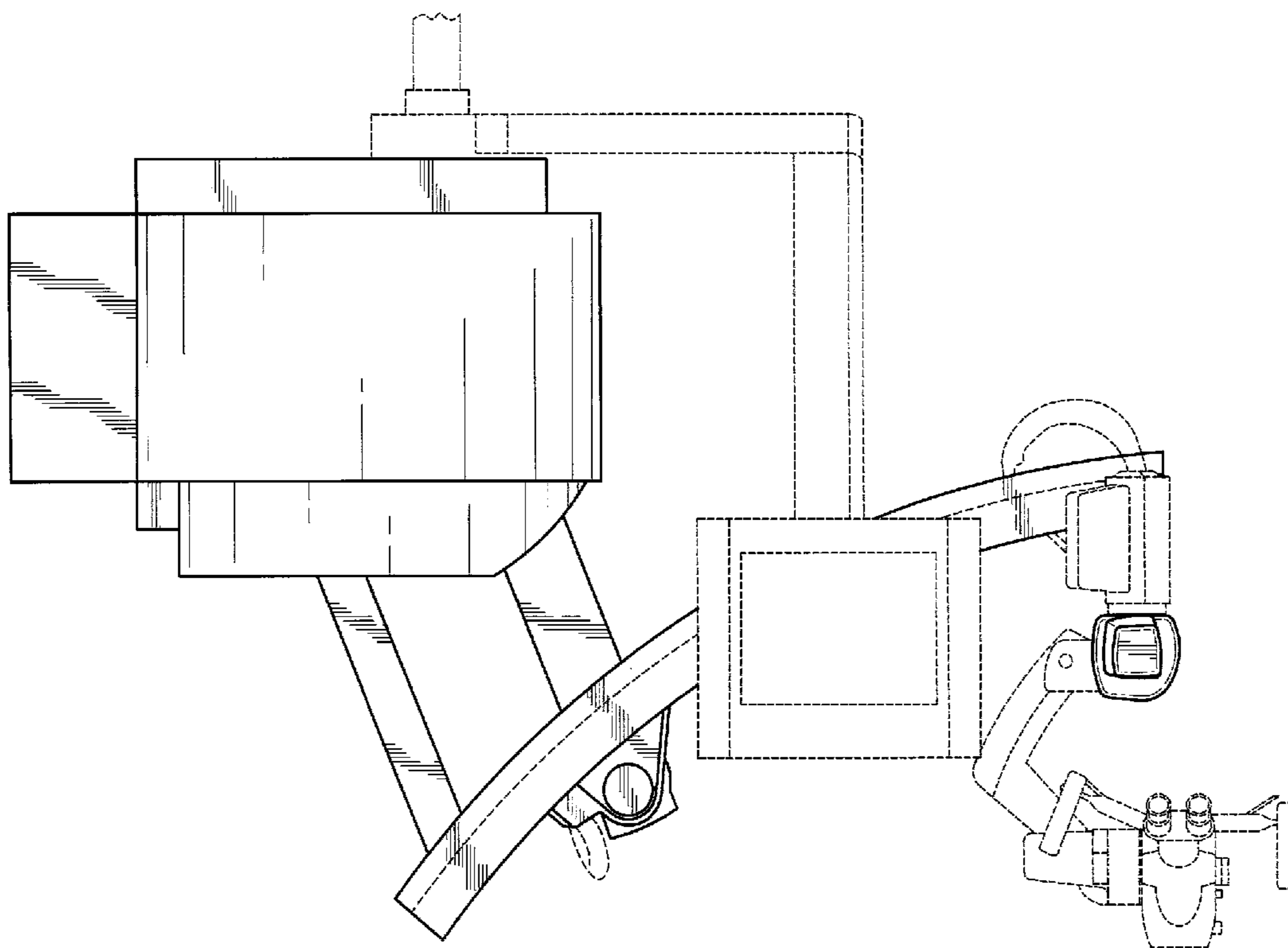
FIG. 1 is a side elevation view of the ceiling mount having an arm assembly for holding a surgical microscope;  
FIG. 2 is a side elevation view of said ceiling mount of FIG. 1 with said arm assembly rotated 180°;  
FIG. 3 is a side elevation view of said ceiling mount of FIG. 1 with said arm assembly rotated 90° from the position thereof shown in FIG. 1;  
FIG. 4 is a side elevation view of said ceiling mount corresponding to FIG. 3; and,  
FIG. 5 is a bottom plan view of said ceiling mount with said arm assembly being disposed as shown in FIG. 3.  
The surgical microscope and arm holding a monitor and the other elements shown in broken lines are for illustrative purposes only and form no part of the claimed design. Areas enclosed by broken lines too do not form part of the claimed design.

(56) **References Cited**

U.S. PATENT DOCUMENTS

6,364,268 B1\* 4/2002 Metelski ..... 248/317  
2005/0224686 A1\* 10/2005 Bremmon et al. .... 248/610  
2006/0126167 A1\* 6/2006 Piontkowski ..... 359/382

**1 Claim, 5 Drawing Sheets**



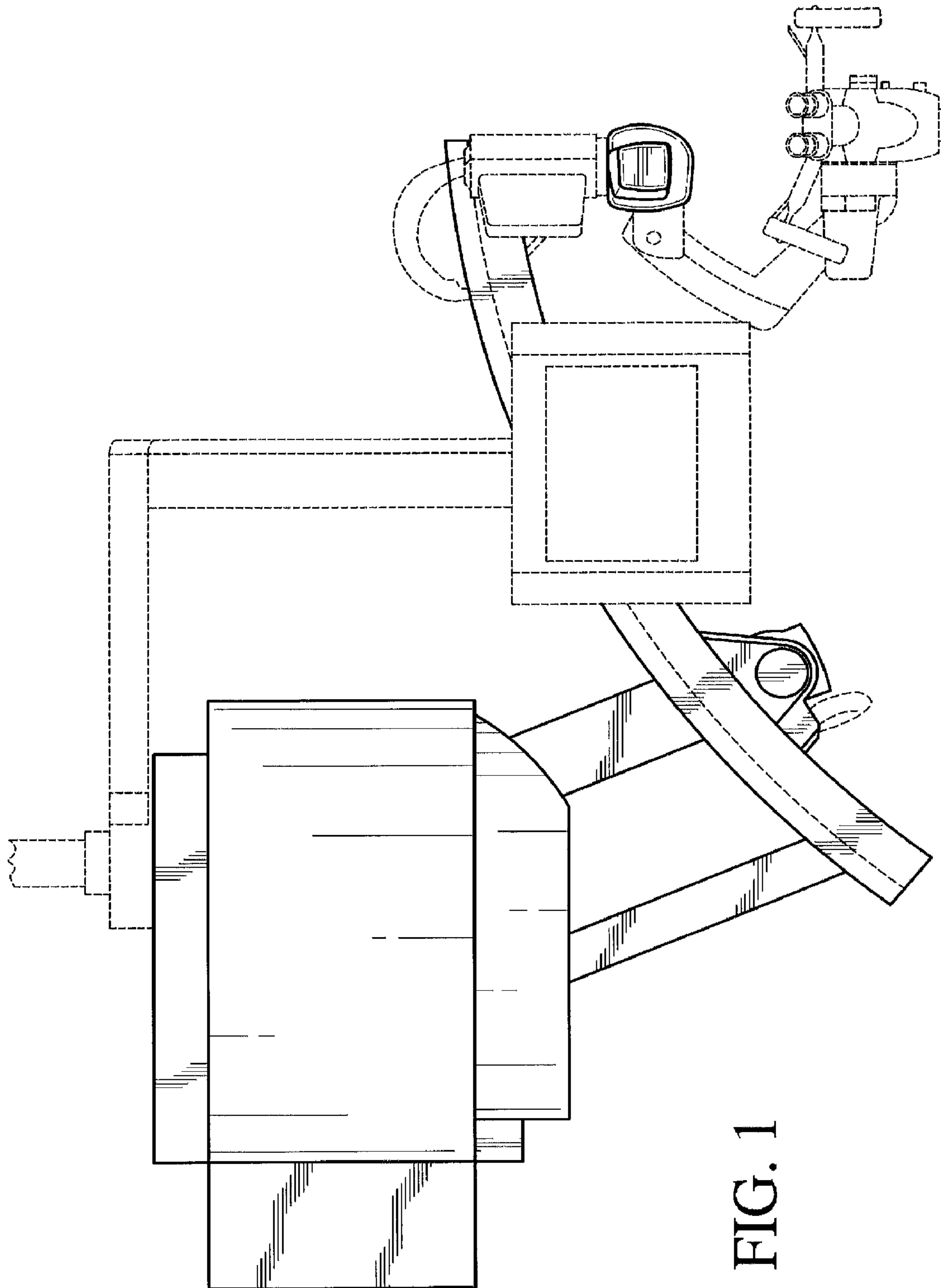


FIG. 1

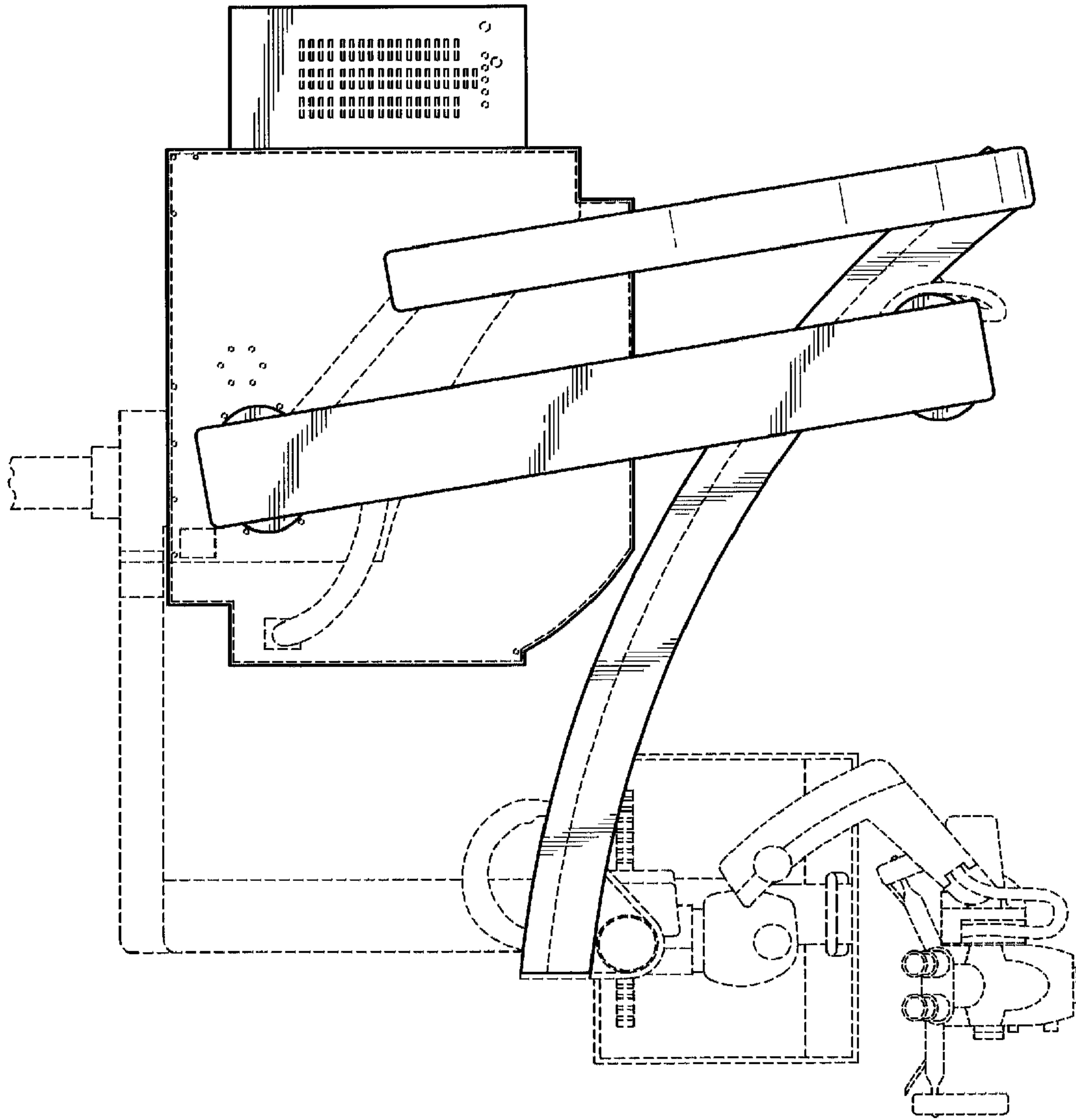
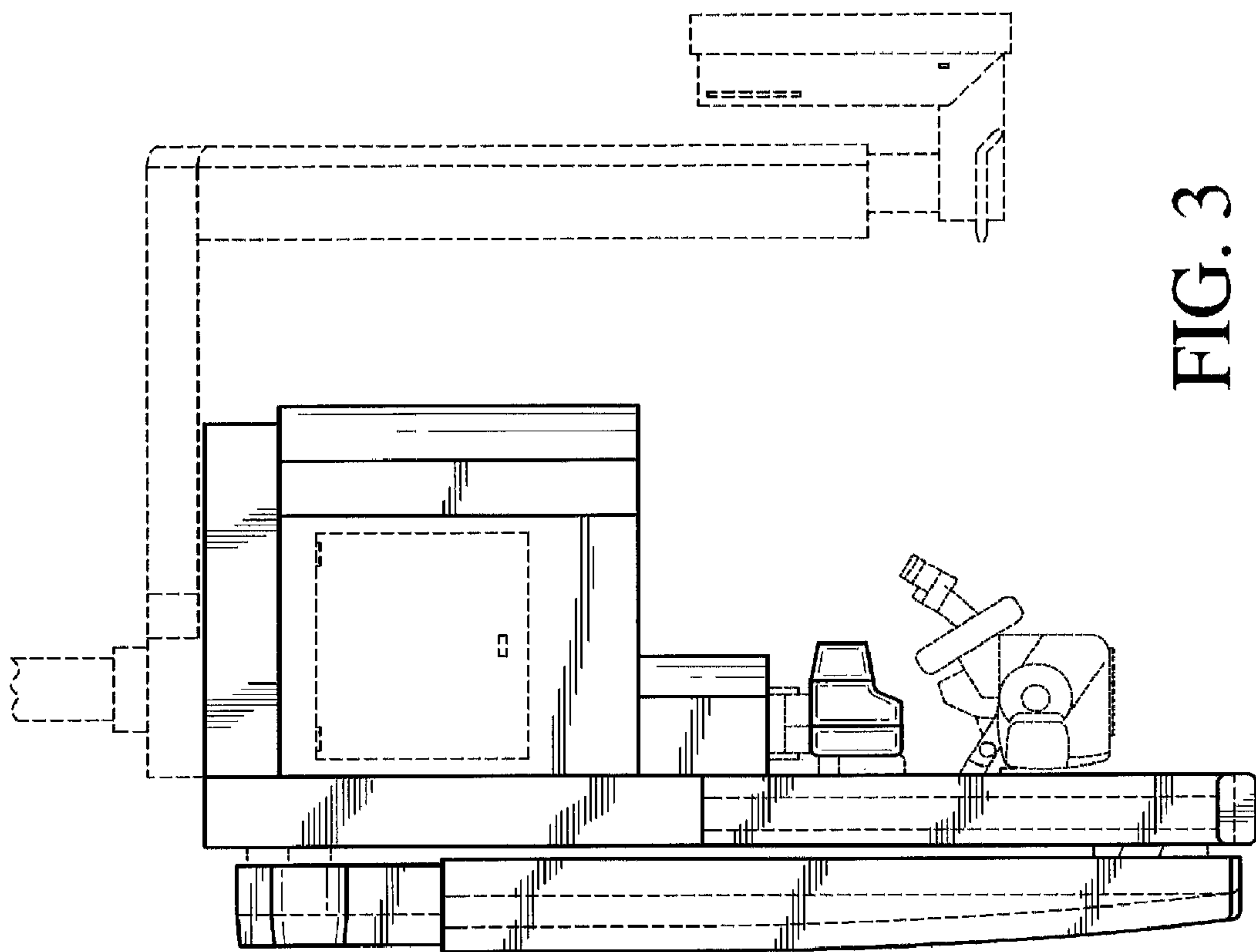


FIG. 2



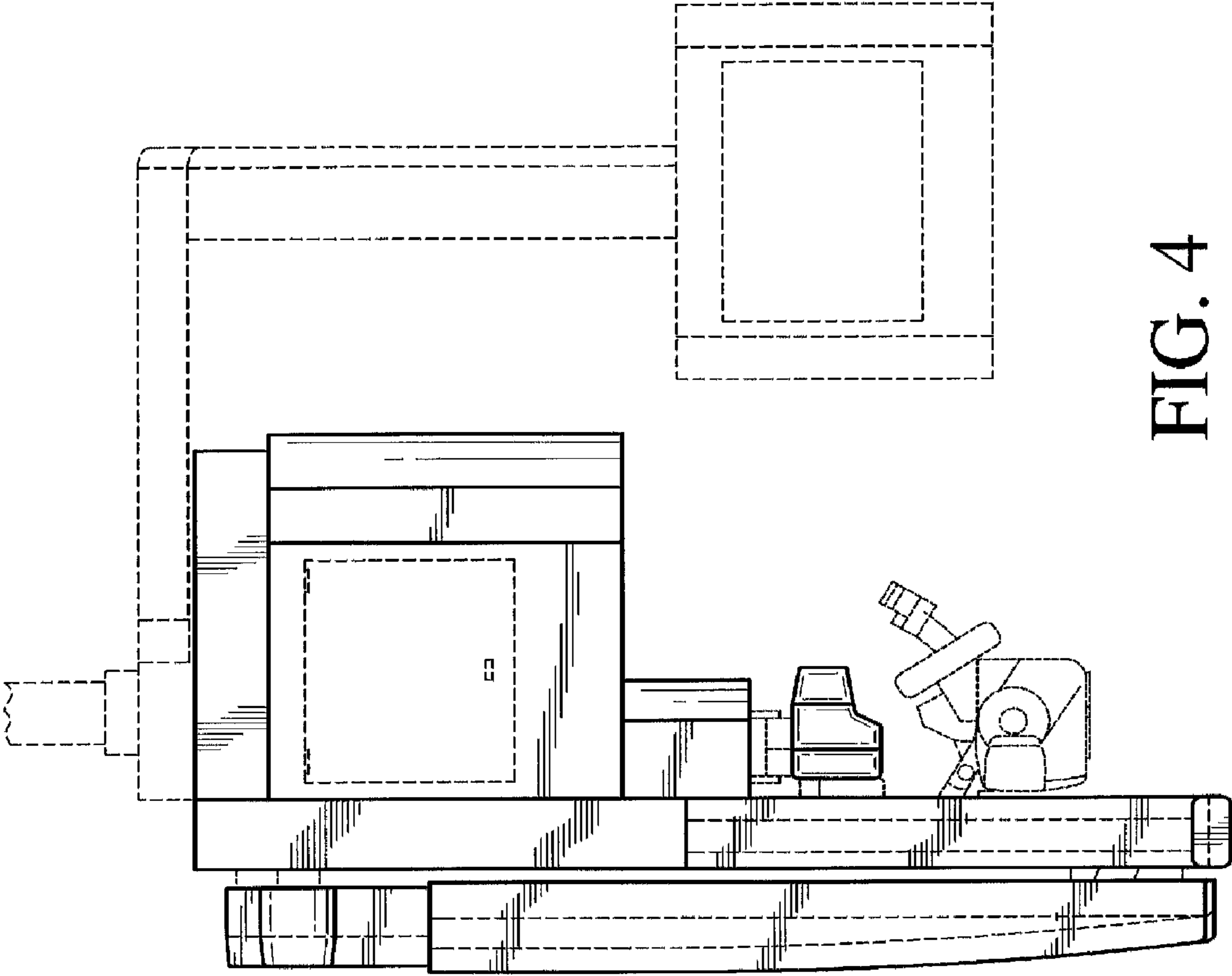


FIG. 4

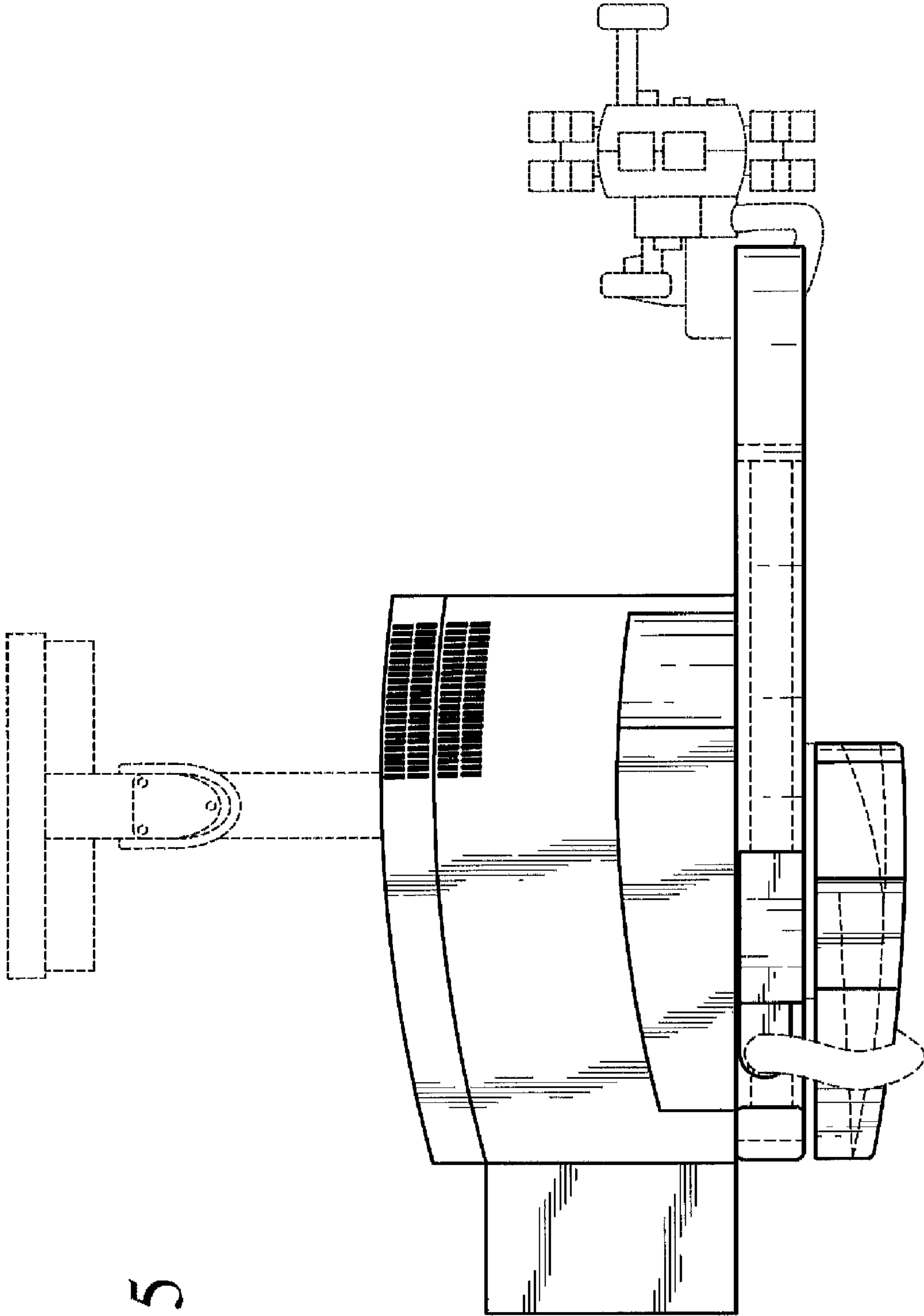


FIG. 5