



US00D660411S

(12) **United States Design Patent**  
**Zuyderhoudt**

(10) **Patent No.:** **US D660,411 S**

(45) **Date of Patent:** **\*\* May 22, 2012**

(54) **INHALER**

(75) **Inventor:** **Krijn Franciscus Marie Zuyderhoudt,**  
Leiden (NL)

(73) **Assignee:** **Teva Pharmaceutical Industries Ltd.,**  
Petach Tikva (IL)

(\*\*) **Term:** **14 Years**

(21) **Appl. No.:** **29/393,290**

(22) **Filed:** **Jun. 1, 2011**

(30) **Foreign Application Priority Data**

Dec. 1, 2010 (EM) ..... 001247654-0001  
Apr. 20, 2011 (EM) ..... 001271878-0001

(51) **LOC (9) Cl.** ..... **29-02**

(52) **U.S. Cl.** ..... **D24/110**

(58) **Field of Classification Search** ..... D24/110;  
128/200.14, 200.23, 203.15, 204.21, 205.23  
See application file for complete search history.

(56) **References Cited**

**U.S. PATENT DOCUMENTS**

D311,443 S \* 10/1990 Long et al. .... D24/110  
D433,502 S \* 11/2000 Rand ..... D24/110

6,164,275 A \* 12/2000 Van Iderstine ..... 128/200.14  
D461,239 S \* 8/2002 Cassidy ..... D24/110  
D475,133 S \* 5/2003 McLuckie ..... D24/110  
6,805,116 B2 \* 10/2004 Hodson et al. .... 128/200.23  
D511,208 S \* 11/2005 Pardonge et al. .... D24/110  
D556,896 S \* 12/2007 Logan ..... D24/110  
D571,001 S \* 6/2008 Warby et al. .... D24/110  
D610,249 S \* 2/2010 Robinson ..... D24/110  
D629,504 S \* 12/2010 Zuyderhoudt ..... D24/110  
2005/0005930 A1 \* 1/2005 Rubel ..... 128/200.23

\* cited by examiner

*Primary Examiner* — Ian Simmons

*Assistant Examiner* — Christopher Lee

(74) *Attorney, Agent, or Firm* — Christensen O'Connor  
Johnson Kindness PLLC

(57) **CLAIM**

The ornamental design for an inhaler, as shown.

**DESCRIPTION**

FIG. 1 is an isometric view of an inhaler showing my new design;

FIG. 2 is a left side elevational view thereof;

FIG. 3 is a front elevational view thereof;

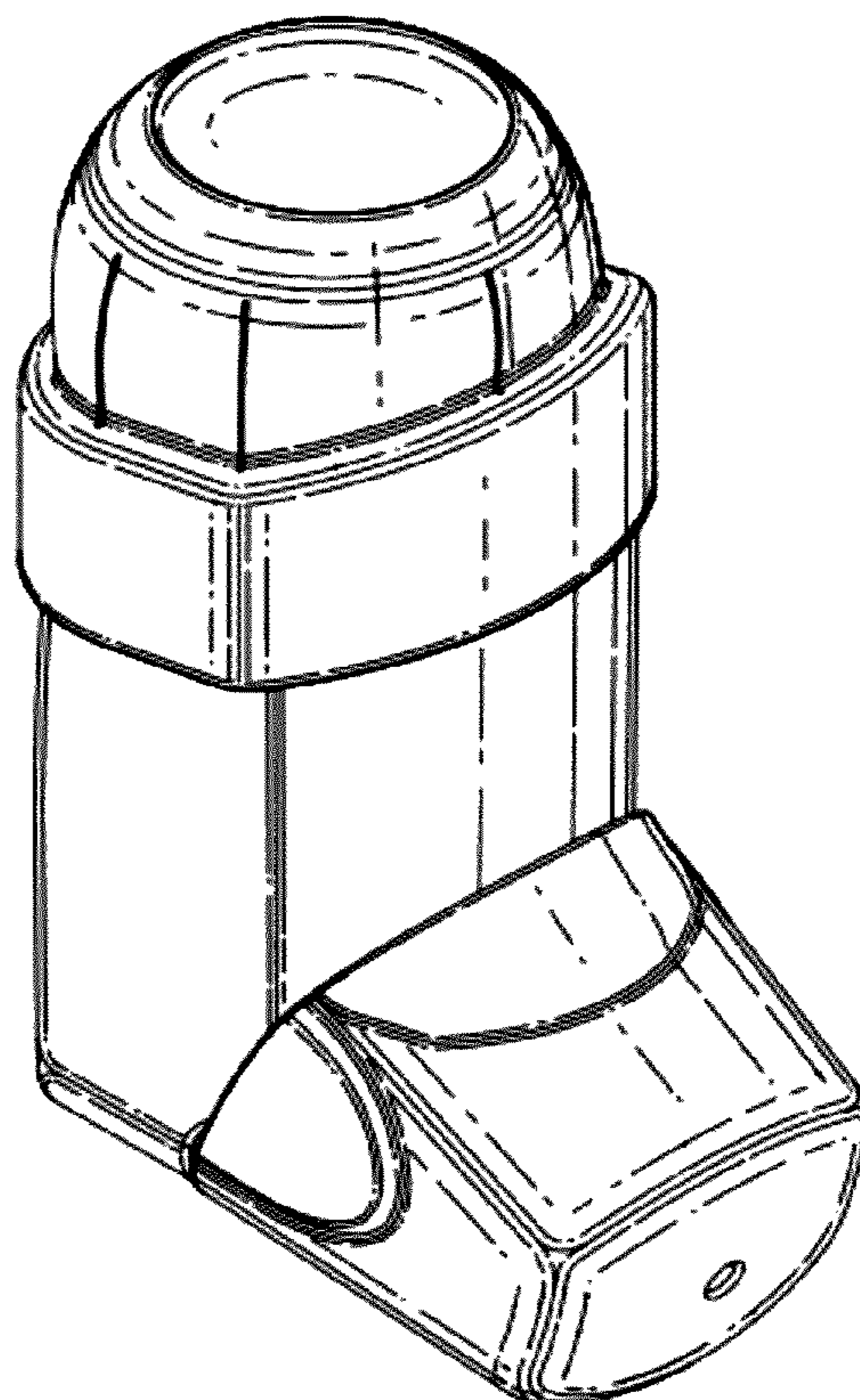
FIG. 4 is a right side elevational view thereof;

FIG. 5 is a rear elevational view thereof;

FIG. 6 is a top view thereof; and,

FIG. 7 is a bottom view.

**1 Claim, 2 Drawing Sheets**



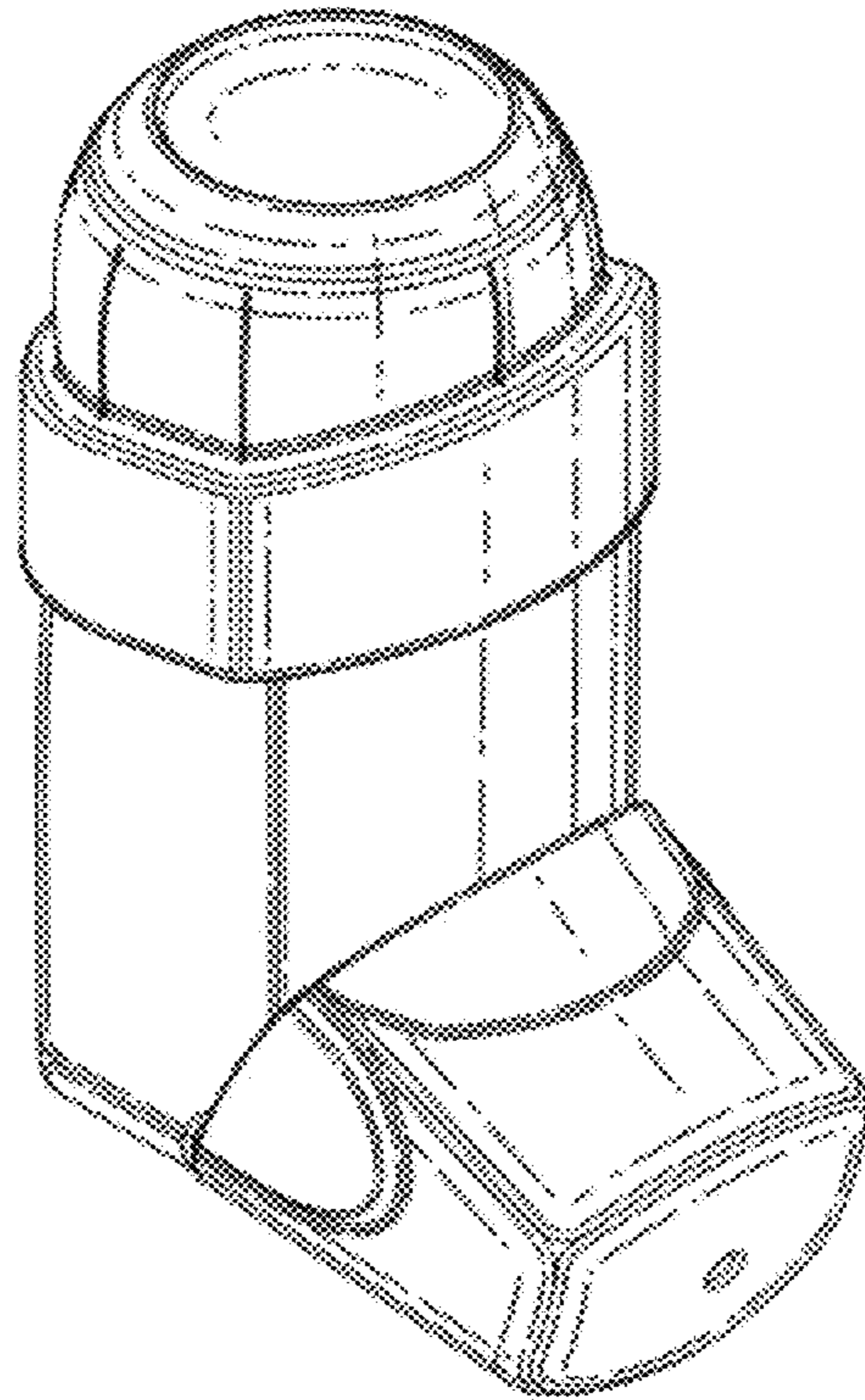


FIG. 1

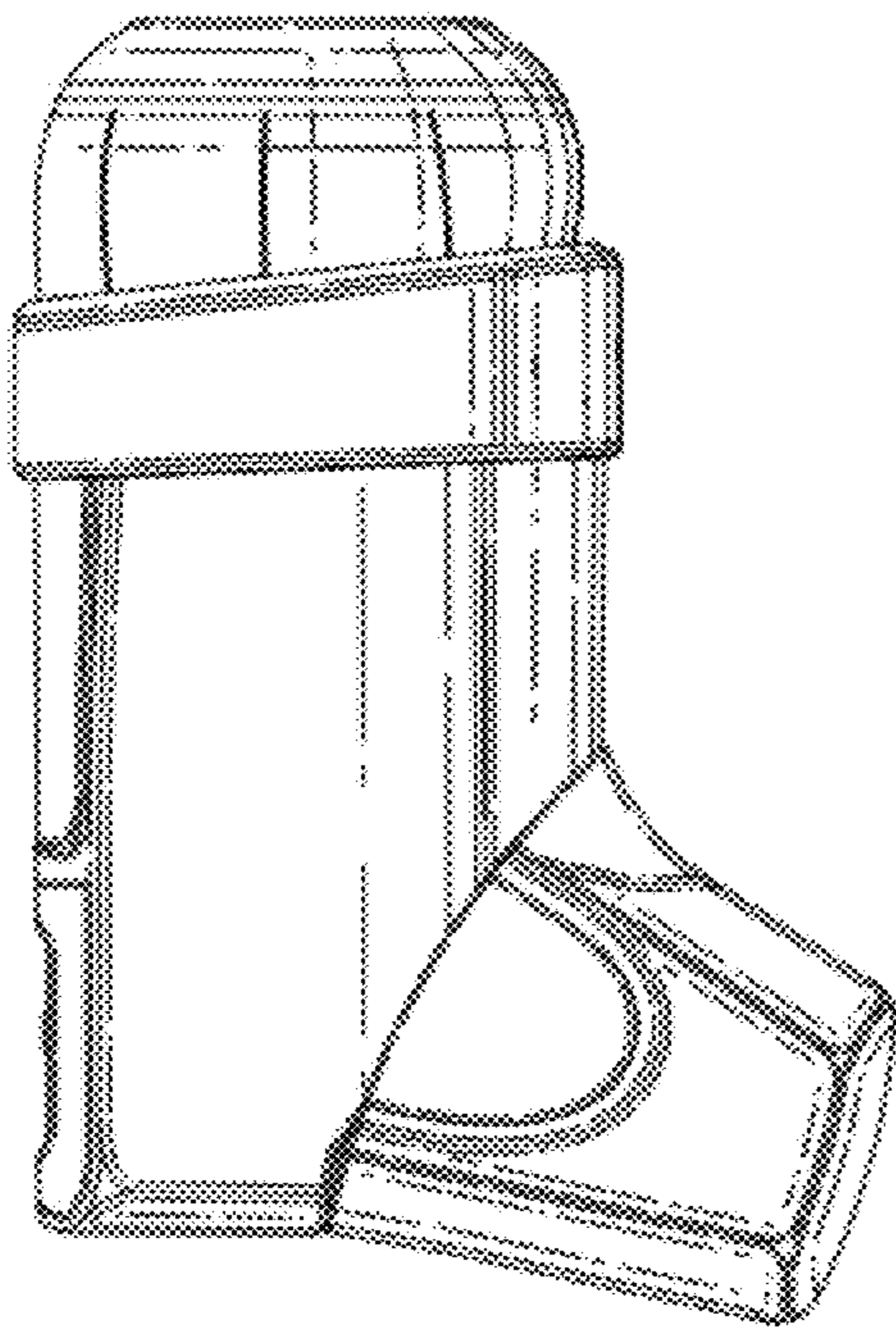


FIG. 2

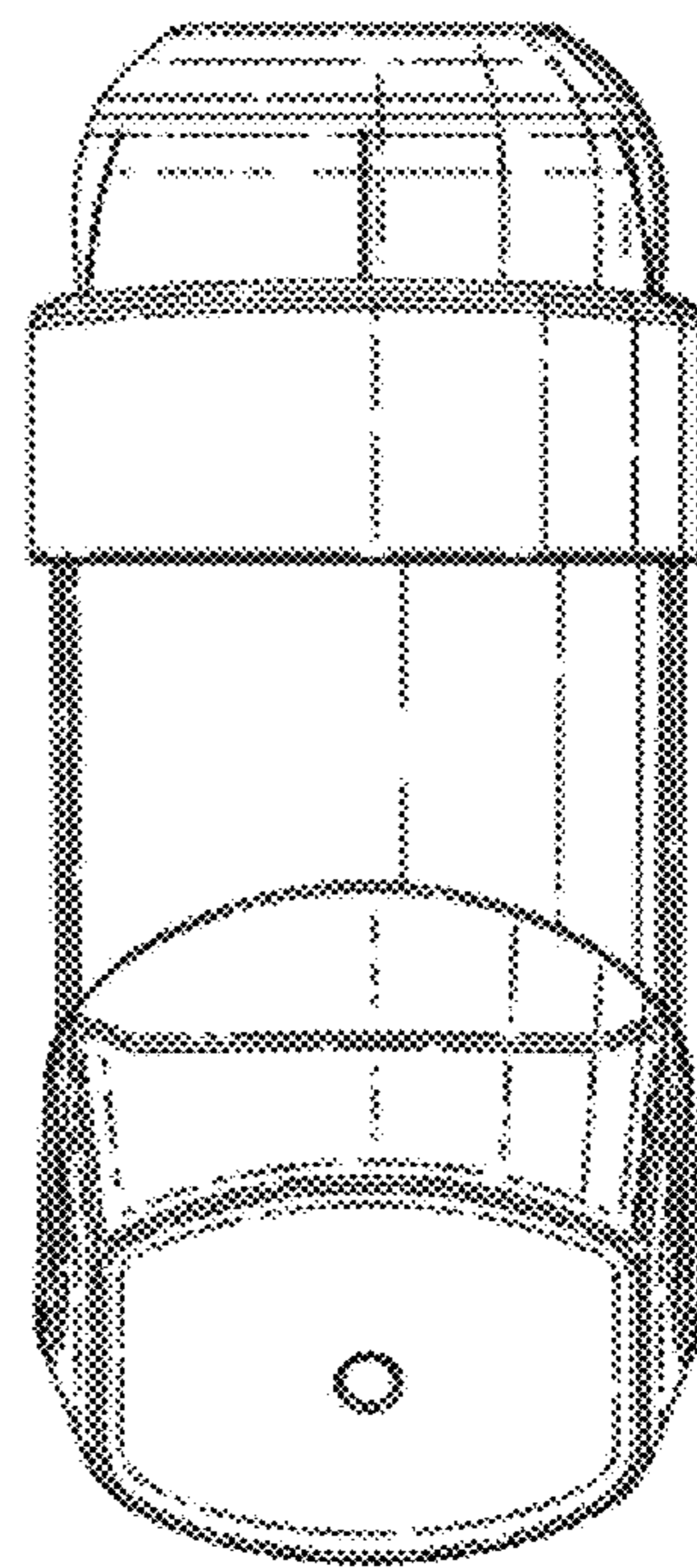


FIG. 3

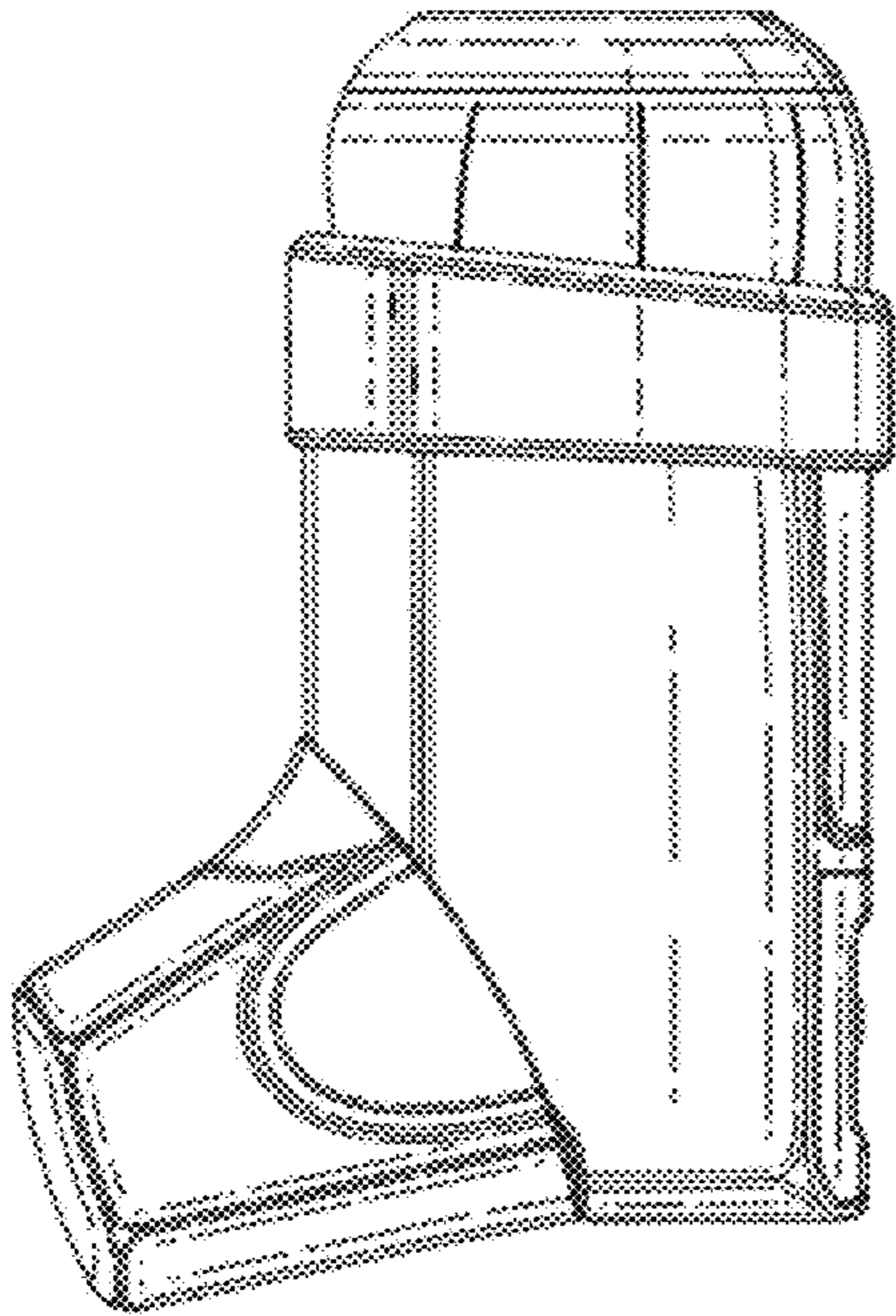


FIG. 4

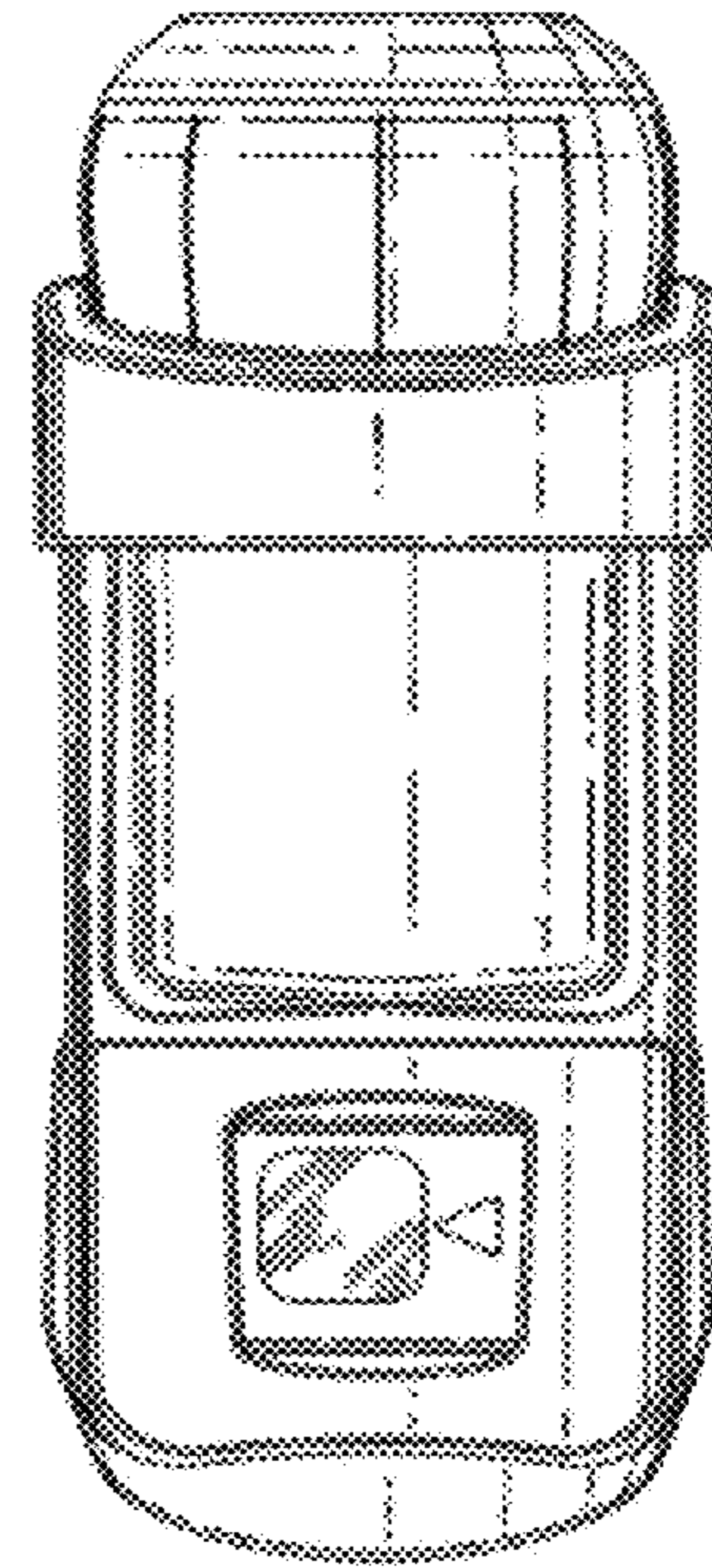


FIG. 5

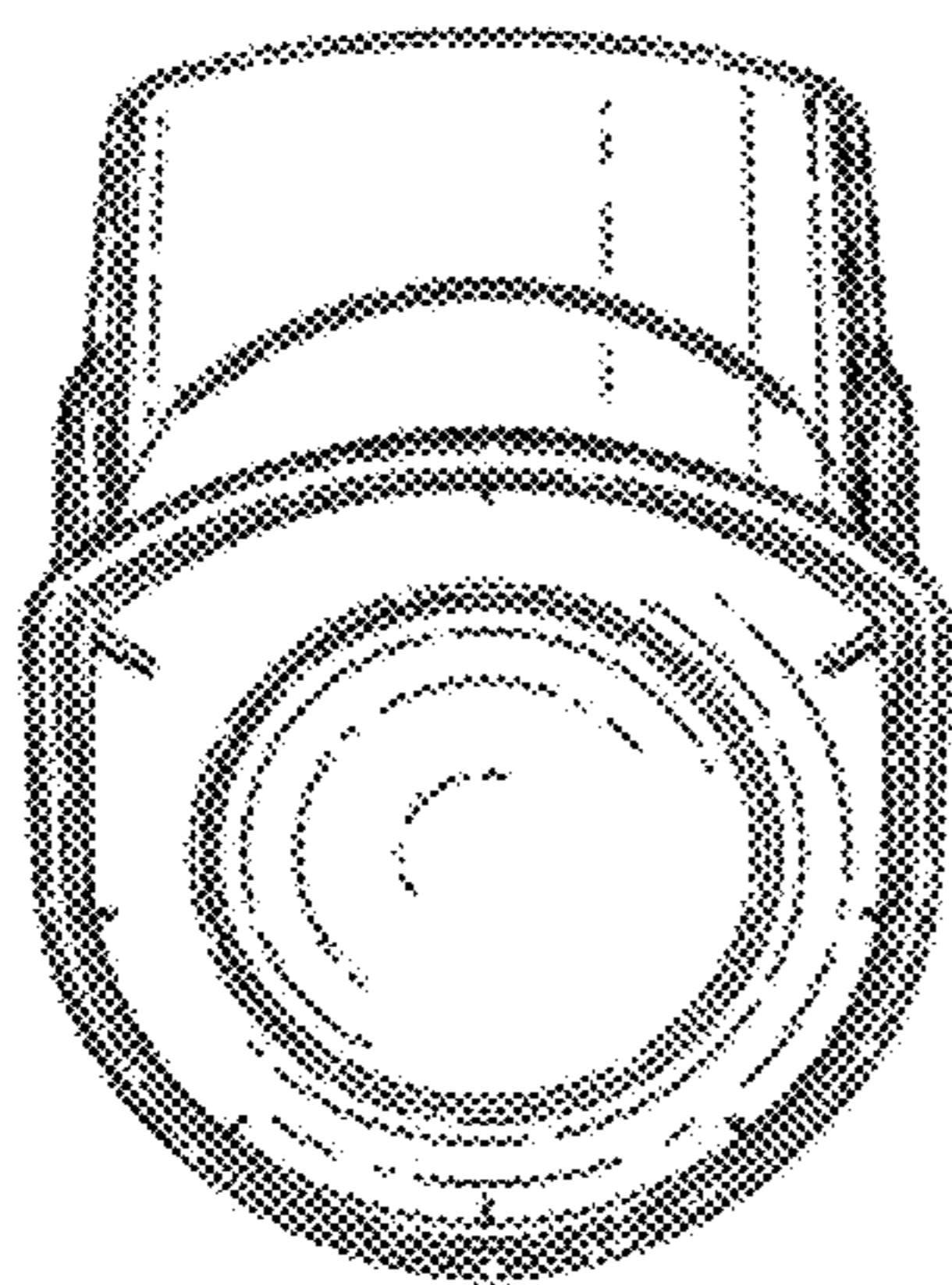


FIG. 6

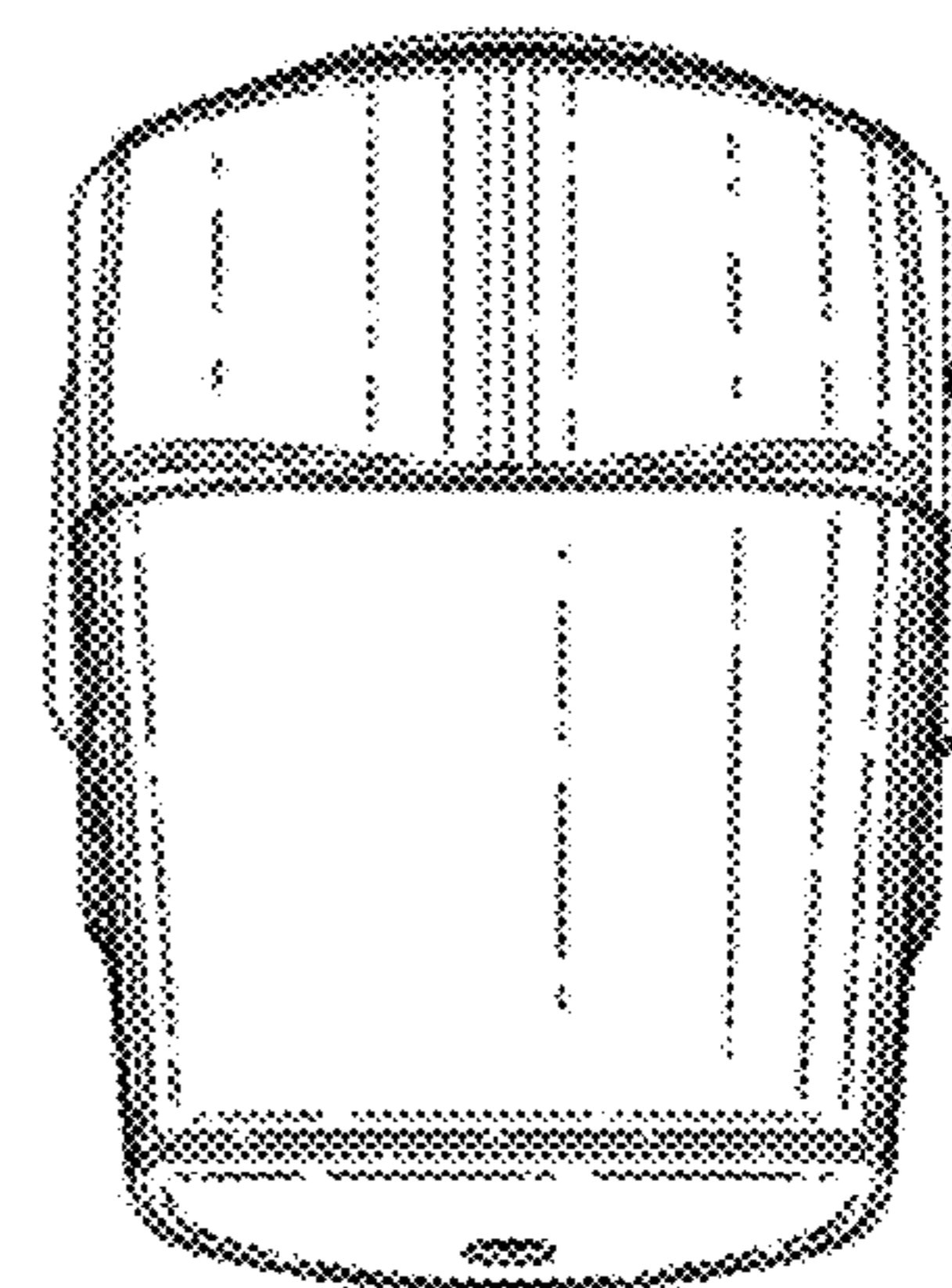


FIG. 7