

US00D660409S

(12) **United States Design Patent**  
**Taggerty et al.**

(10) **Patent No.:** **US D660,409 S**

(45) **Date of Patent:** **\*\* May 22, 2012**

(54) **COMPACT NEGATIVE PRESSURE WOUND TREATMENT APPARATUS**

(75) Inventors: **Richard Taggerty**, Fareham (GB); **Nick Cole**, Southampton (GB)

(73) Assignee: **Talley Group Limited**, Hampshire (GB)

(\*\*) Term: **14 Years**

(21) Appl. No.: **29/330,706**

(22) Filed: **Jan. 13, 2009**

(30) **Foreign Application Priority Data**

Oct. 24, 2008 (EM) ..... 01029375-0001/0003

(51) **LOC (9) Cl.** ..... **24-01**

(52) **U.S. Cl.** ..... **D24/108**

(58) **Field of Classification Search** ..... D24/107-108,  
D24/111, 158, 165, 186, 200, 232, 208, 169;  
601/9, 10, 15; 600/1, 2, 9, 10, 13, 573; 607/61,  
607/63, 52, 100, 103, 115; 604/313-315,  
604/317, 327-543, 318-319, 35, 119, 322

See application file for complete search history.

(56) **References Cited**

U.S. PATENT DOCUMENTS

D602,583 S \* 10/2009 Pidgeon et al. .... D24/108  
D625,801 S \* 10/2010 Pidgeon et al. .... D24/108  
D629,502 S \* 12/2010 Au et al. .... D24/108

\* cited by examiner

*Primary Examiner* — Rosemary K Tarcza

(74) *Attorney, Agent, or Firm* — Westman, Champlin & Kelly, P.A.; Z. Peter Sawicki

(57) **CLAIM**

The ornamental design for a compact negative pressure wound treatment apparatus, as shown and described.

**DESCRIPTION**

FIG. 1 is a front perspective view;  
FIG. 2 is a rear perspective view of FIG. 1;  
FIG. 3 is a front view thereof;  
FIG. 4 is a rear view thereof;  
FIG. 5 is a top view thereof;  
FIG. 6 is a bottom view thereof; and,  
FIG. 7 is a right side view and a mirror image of the left side.  
The broken lines shown in the drawings are included for the purpose of illustrating unclaimed portions of the compact negative pressure wound treatment apparatus and form no part of the claimed design.

**1 Claim, 4 Drawing Sheets**

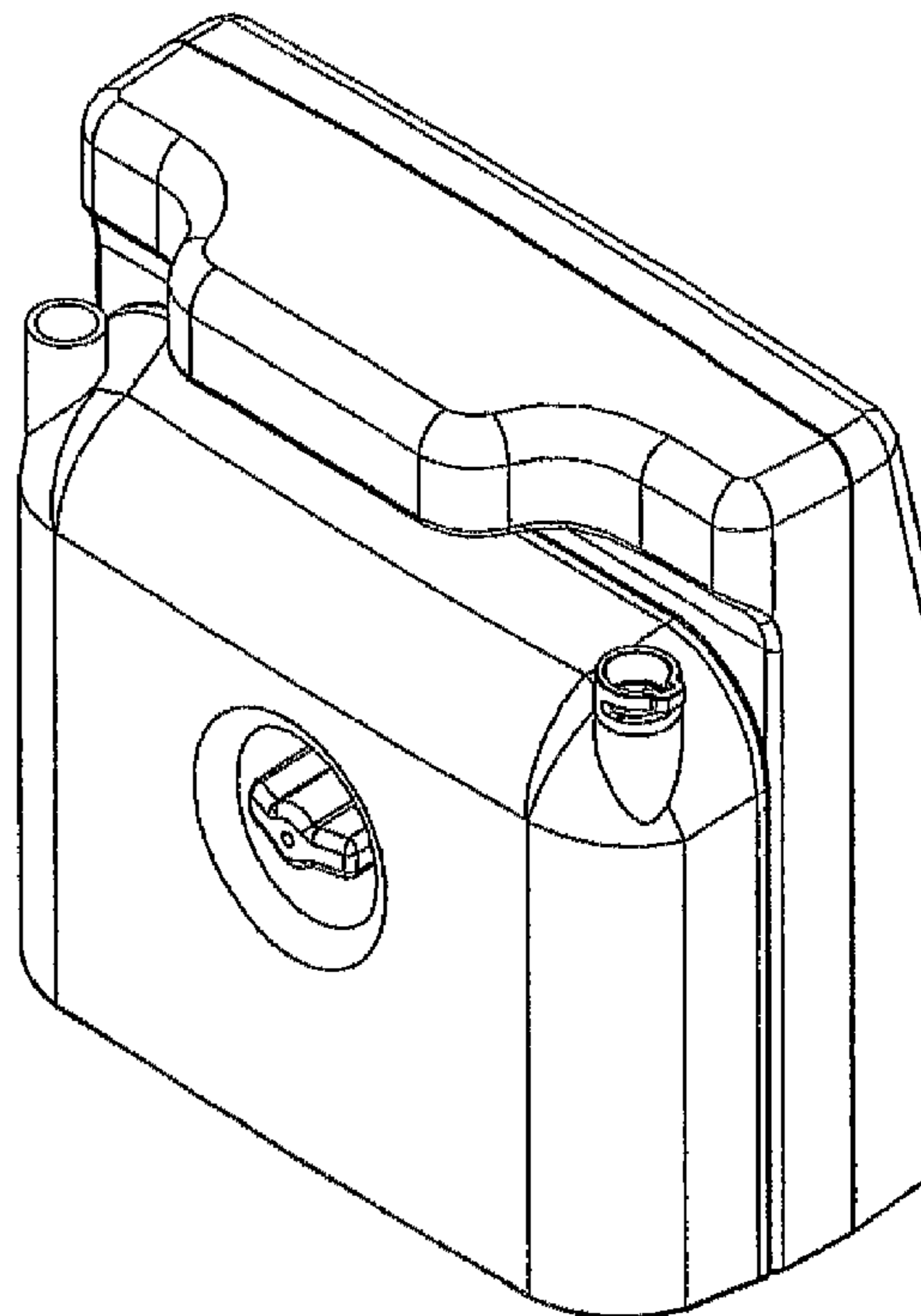
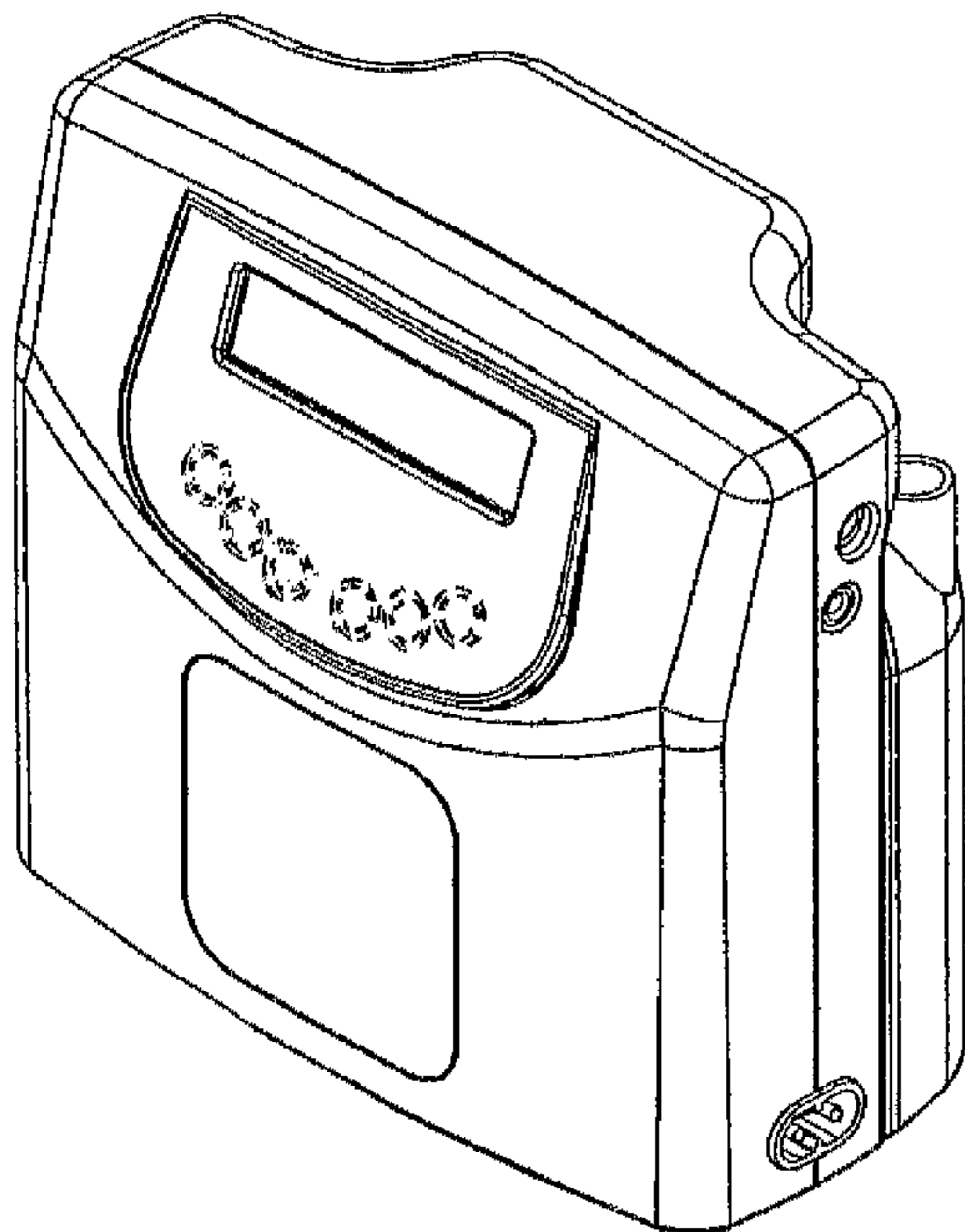


FIGURE 1

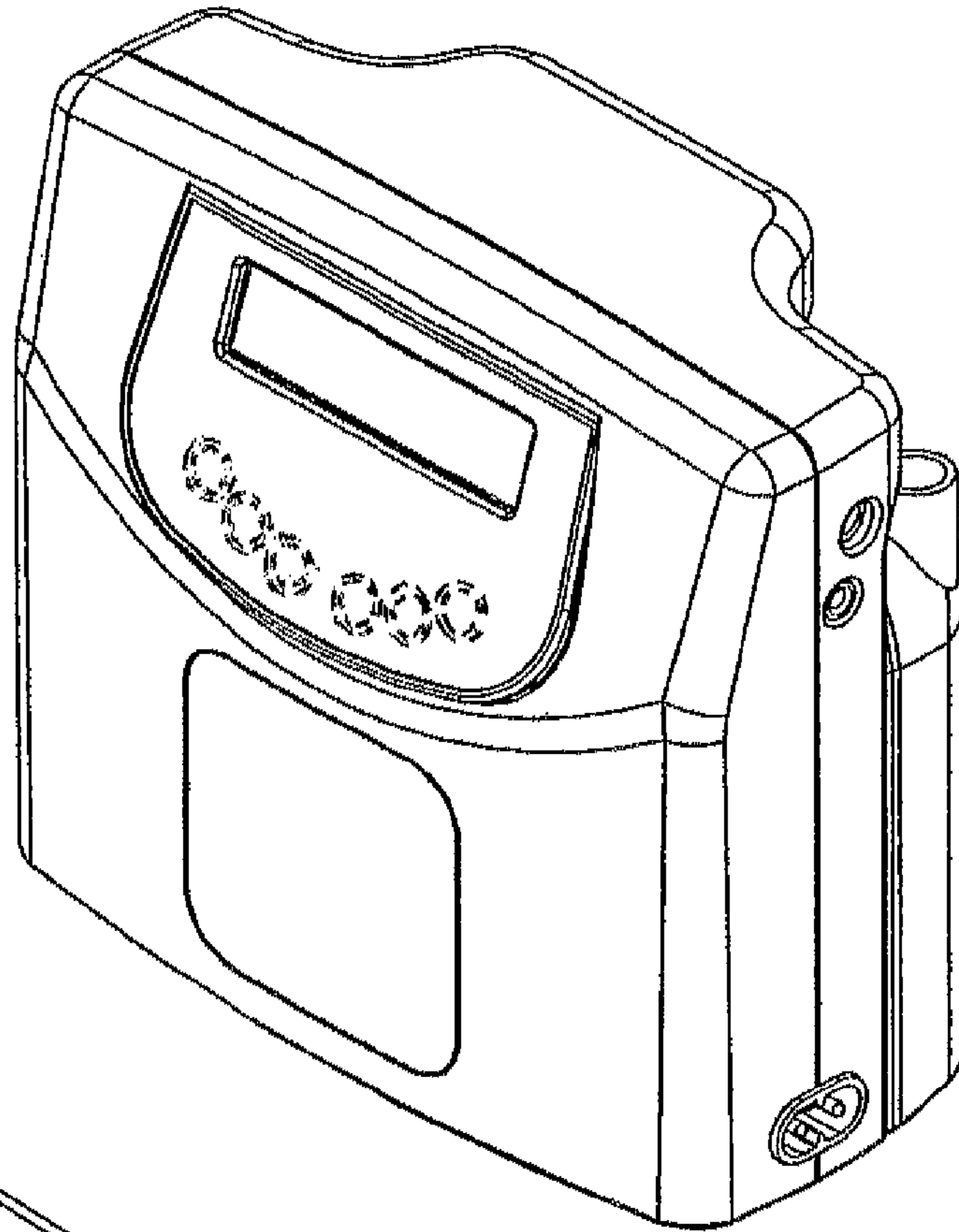
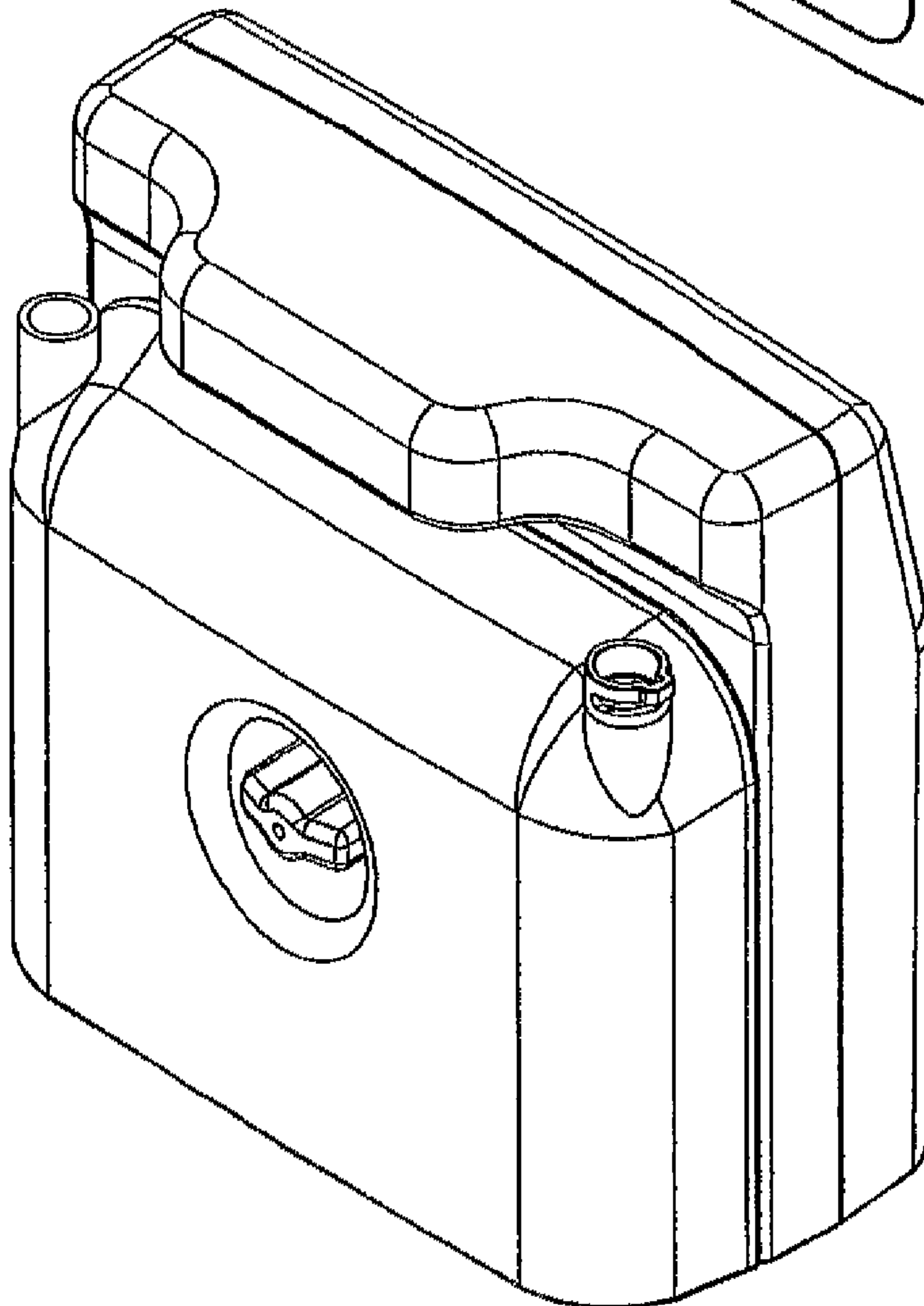


FIGURE 2



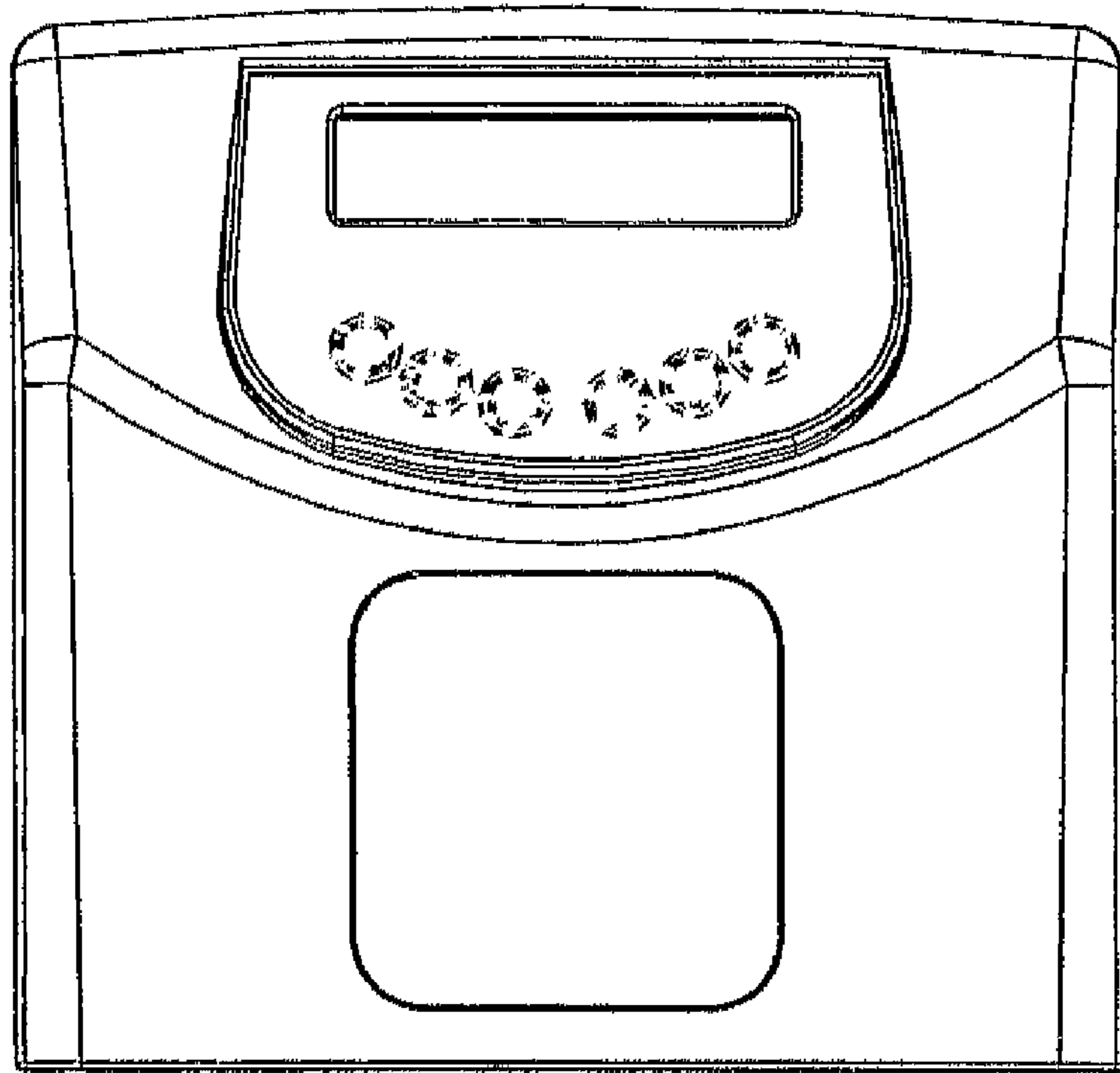


FIGURE 3

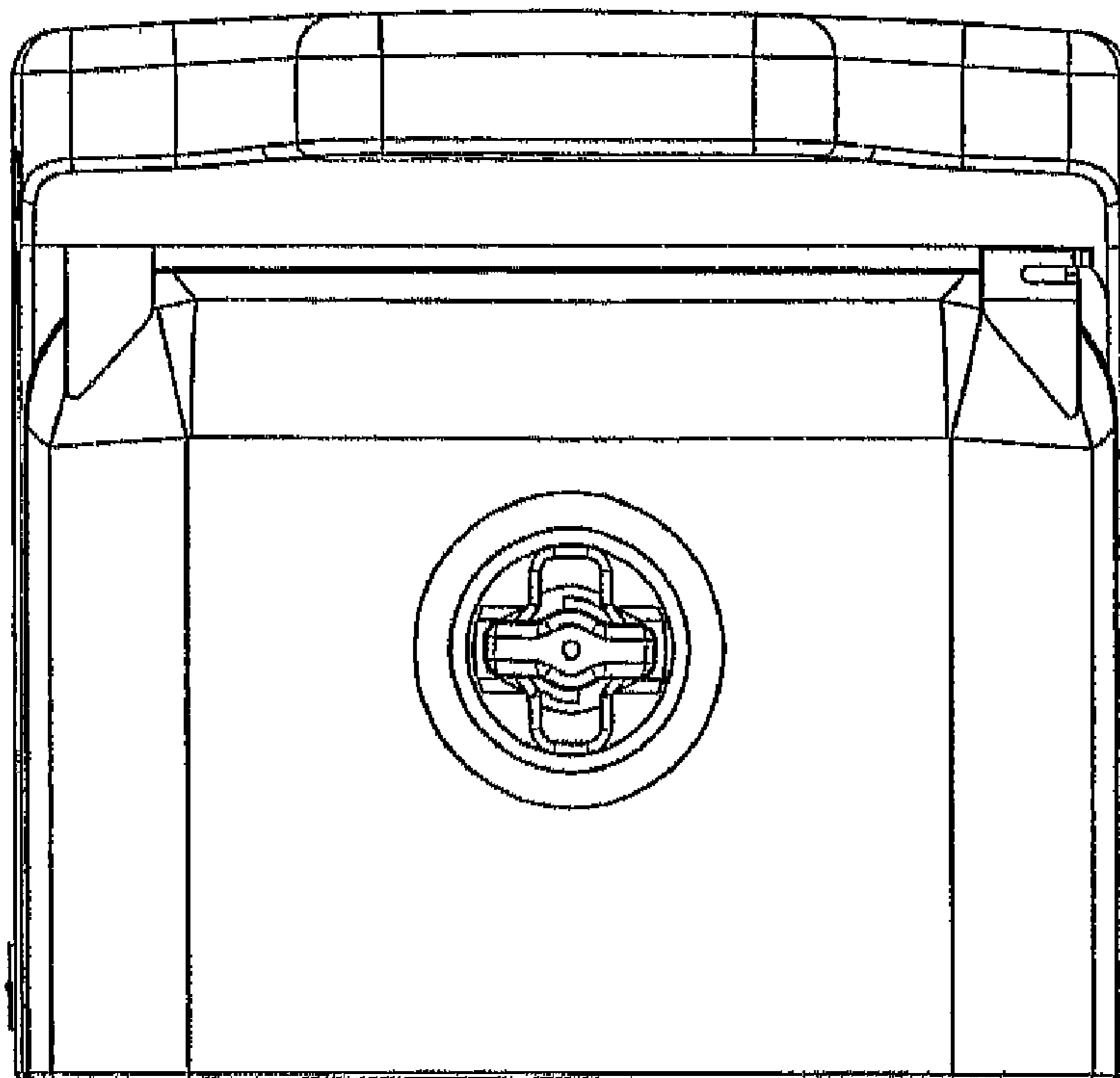


FIGURE 4

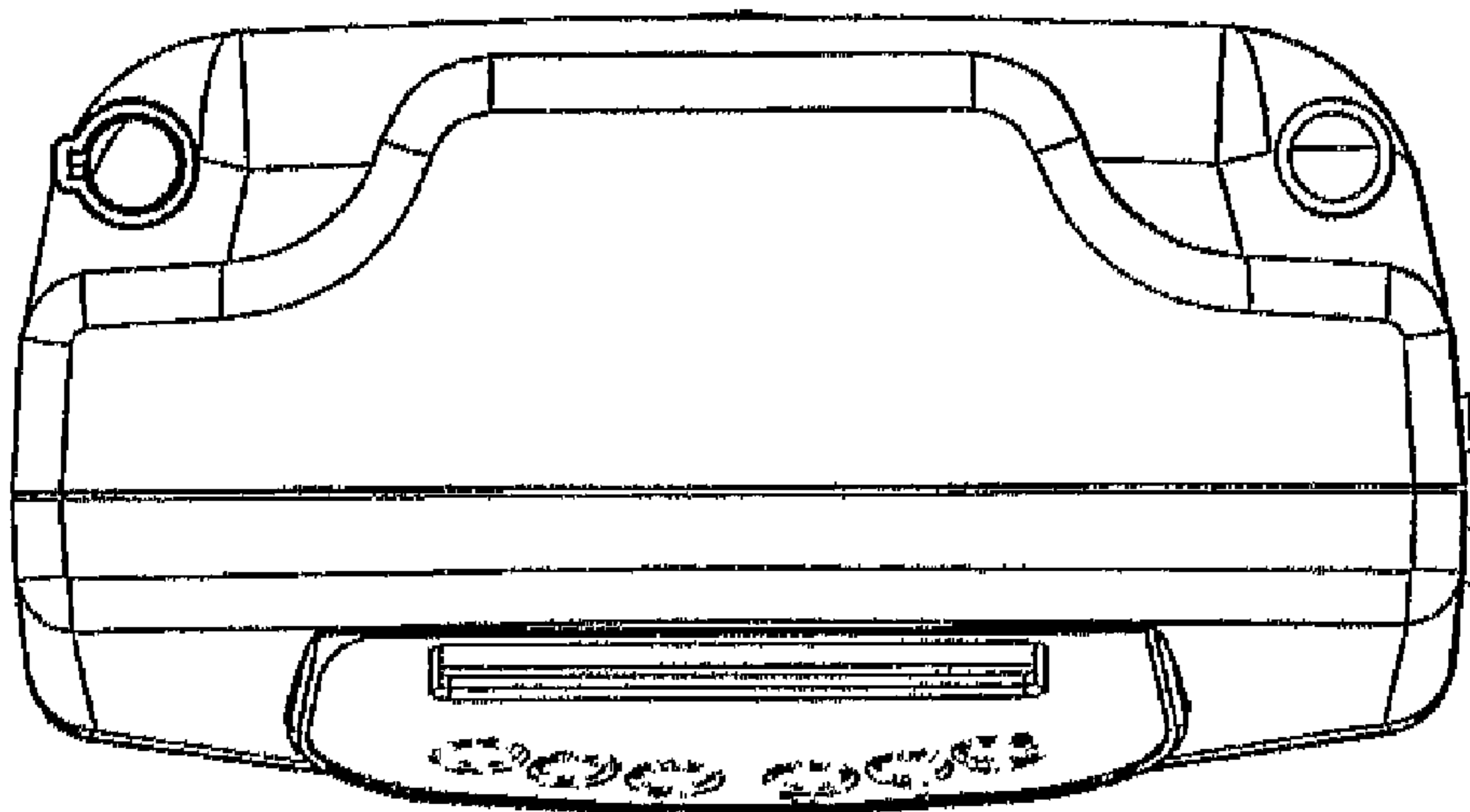


FIGURE 5

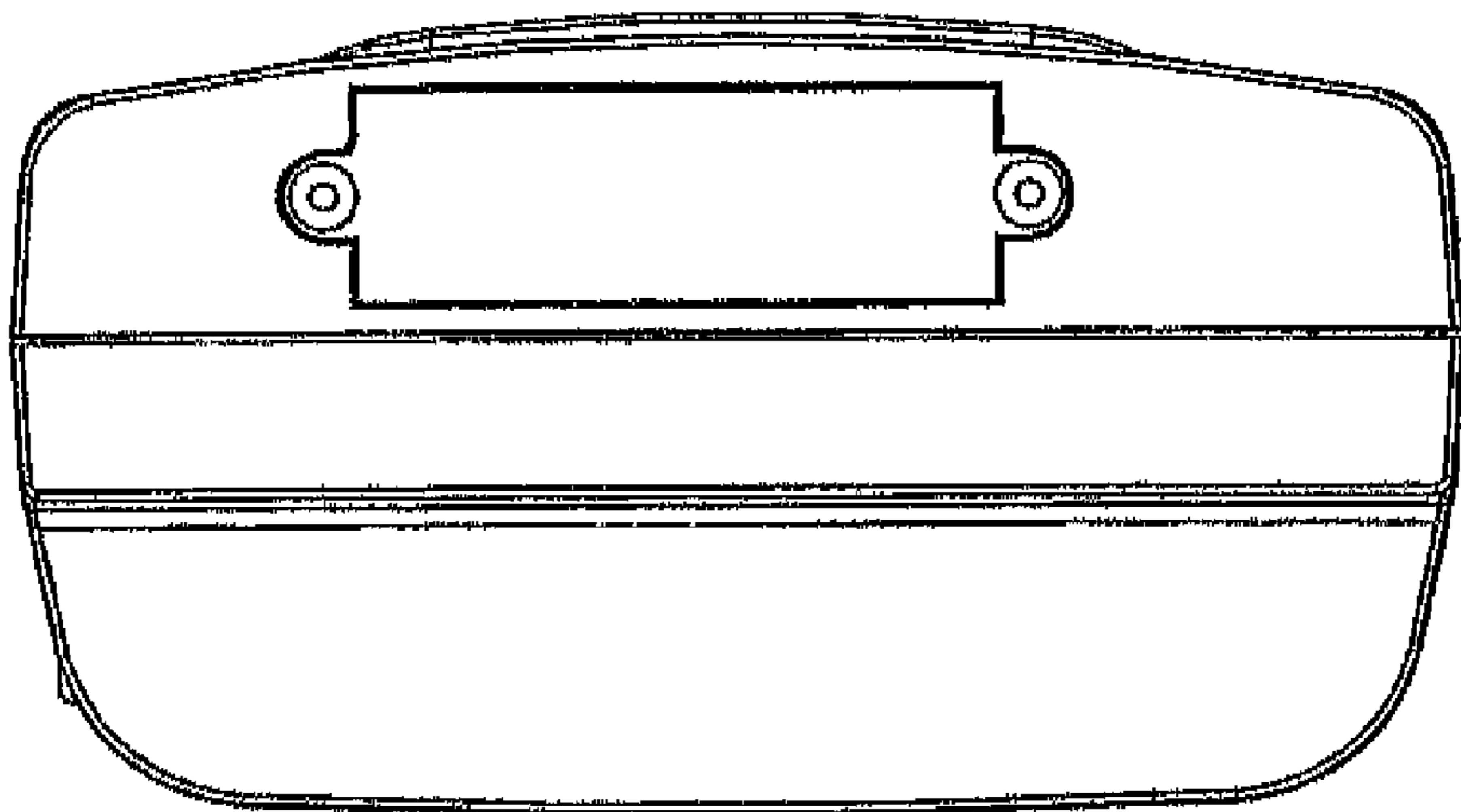


FIGURE 6

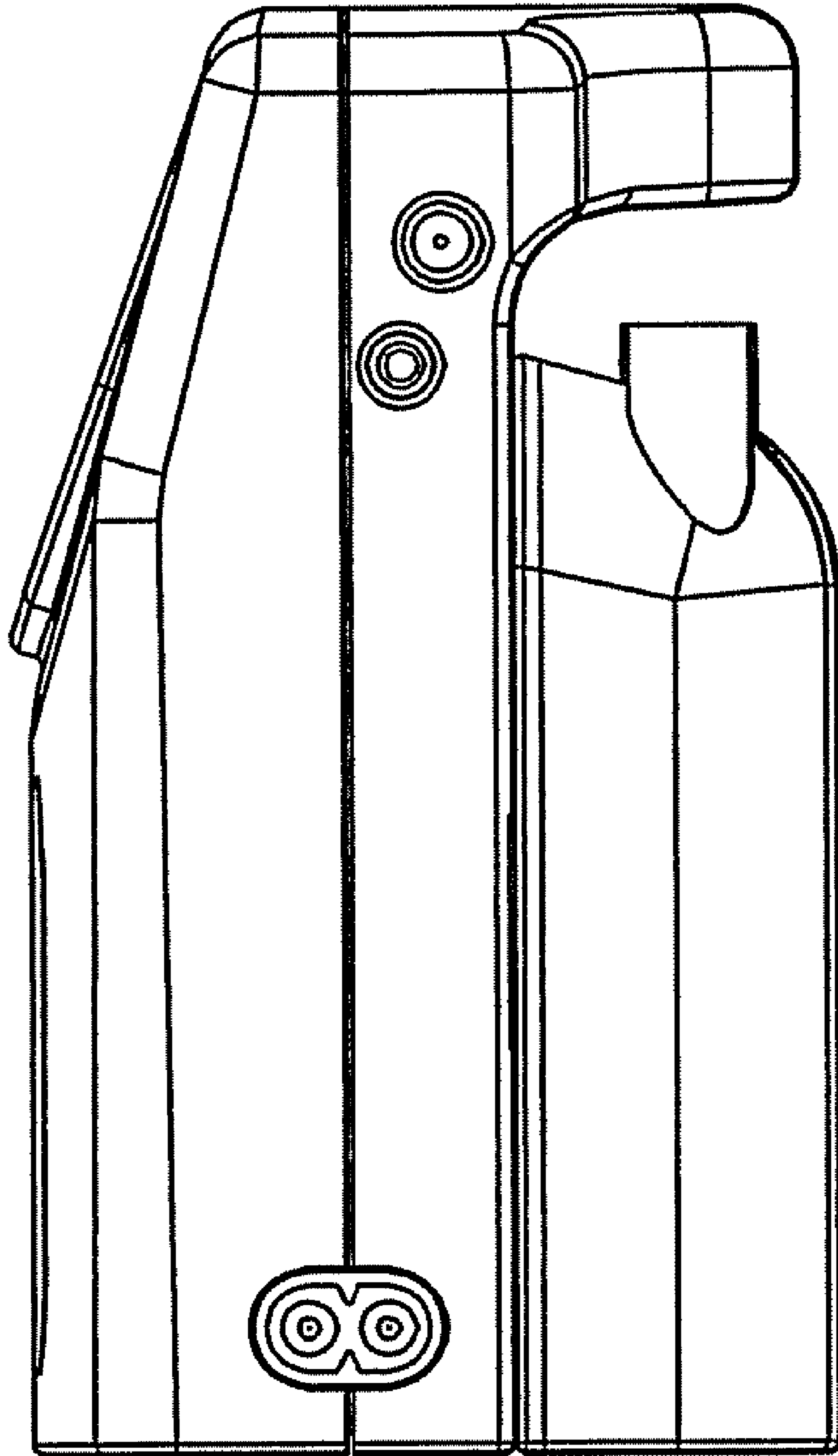


FIGURE 7