

US00D660407S

(12) **United States Design Patent**
Tebe Poves et al.

(10) **Patent No.:** **US D660,407 S**

(45) **Date of Patent:** **** May 22, 2012**

(54) **VOLATILE SUBSTANCE EVAPORATOR**

(75) Inventors: **Daniel Tebe Poves**, Barcelona (ES);
Ricard Tomas Vilarasa, Barcelona (ES)

(73) Assignee: **Zobebe Espana, S.A.**, Barcelona (ES)

(**) Term: **14 Years**

(21) Appl. No.: **29/402,915**

(22) Filed: **Sep. 29, 2011**

Related U.S. Application Data

(62) Division of application No. 29/387,312, filed on Mar. 11, 2011.

(30) **Foreign Application Priority Data**

Sep. 16, 2010 (EM) 001756024-0001
Sep. 16, 2010 (EM) 001756024-0002

(51) **LOC (9) Cl.** **28-99**

(52) **U.S. Cl.** **D23/366**

(58) **Field of Classification Search** D23/355-369;
D28/5, 6; 261/DIG. 17, DIG. 42, DIG. 65,
261/DIG. 88, DIG. 89; 392/386, 390, 391,
392/392, 393, 394, 395; 239/34, 35, 44-47,
239/50, 53, 56, 60, 145, 326

See application file for complete search history.

(56) **References Cited**

U.S. PATENT DOCUMENTS

D401,316 S 11/1998 Allen et al.
D529,162 S 9/2006 Bulsink

D604,401 S 11/2009 Chun et al.
D605,272 S 12/2009 Chun et al.
D608,435 S 1/2010 Zobebe et al.
D609,321 S 2/2010 Tomasulo et al.
D625,797 S 10/2010 Poves et al.
D634,829 S 3/2011 Niki
D648,018 S * 11/2011 Sordo D23/366
2011/0036922 A1 2/2011 Bulsink

OTHER PUBLICATIONS

United States Office Action dated Nov. 14, 2011, from corresponding U.S. Appl. No. 29/387,312.

* cited by examiner

Primary Examiner — Sandra Snapp

(74) *Attorney, Agent, or Firm* — Katten Muchin Rosenman LLP

(57) **CLAIM**

The ornamental design for volatile substance evaporator, as shown and described.

DESCRIPTION

FIG. 1 is a front perspective view of a volatile substance evaporator,

FIG. 2 is a front view thereof,

FIG. 3 is a rear view thereof,

FIG. 4 is a left-side view thereof,

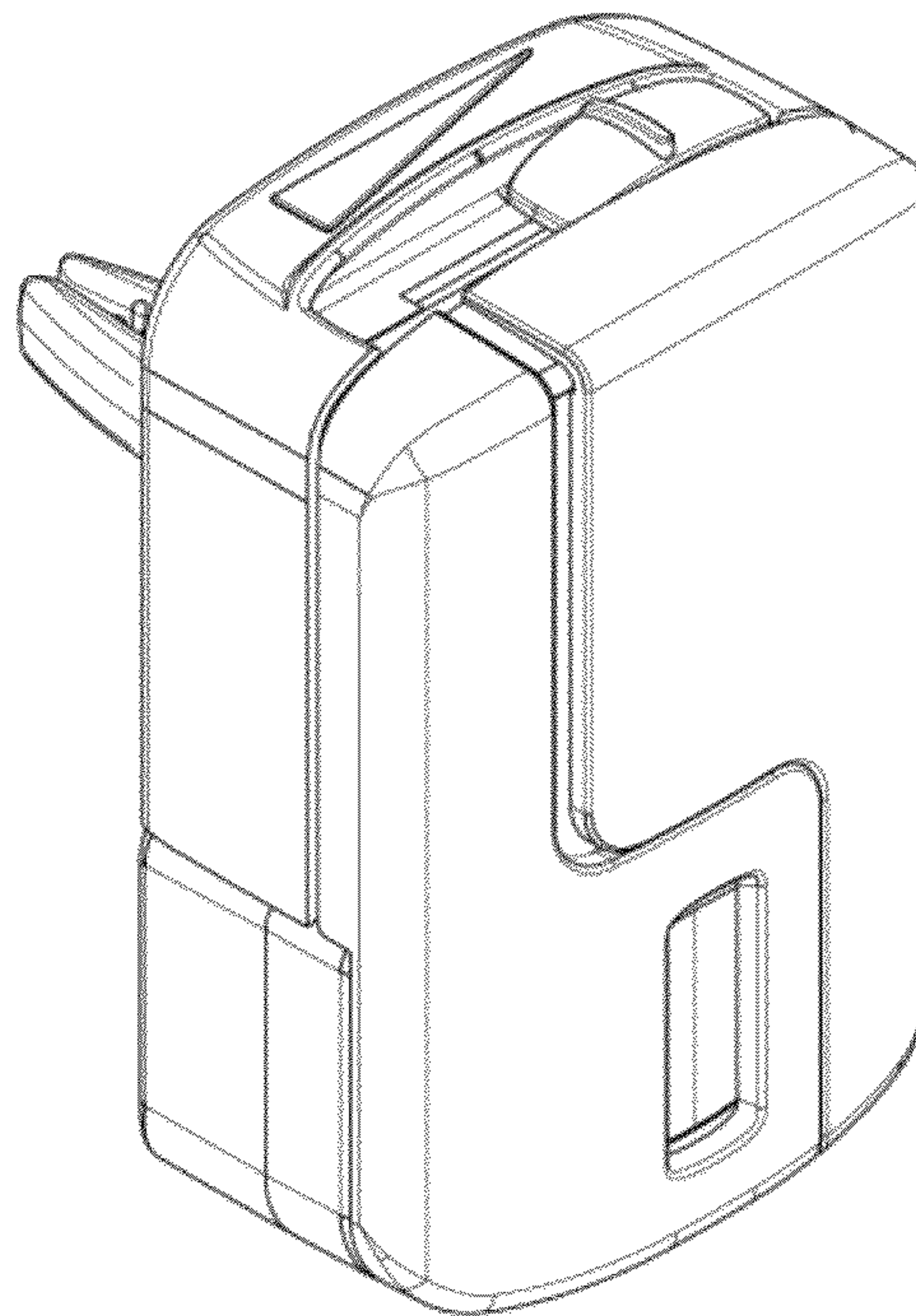
FIG. 5 is a right-side view thereof,

FIG. 6 is a top view thereof; and,

FIG. 7 is a bottom view thereof.

The broken lines shown in the drawings are for illustrative purposes only and form no part of the claimed design.

1 Claim, 7 Drawing Sheets



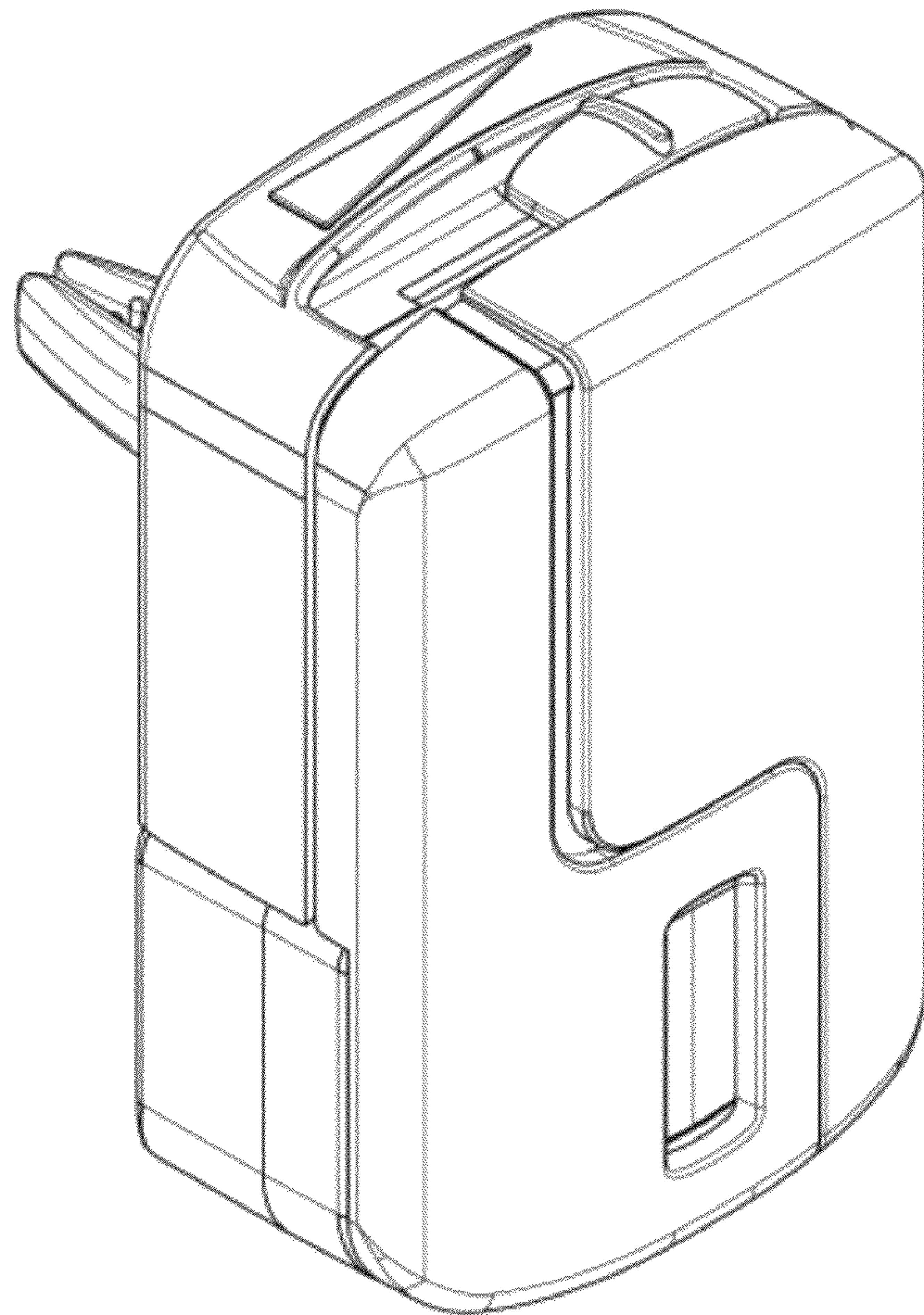


FIG. 1

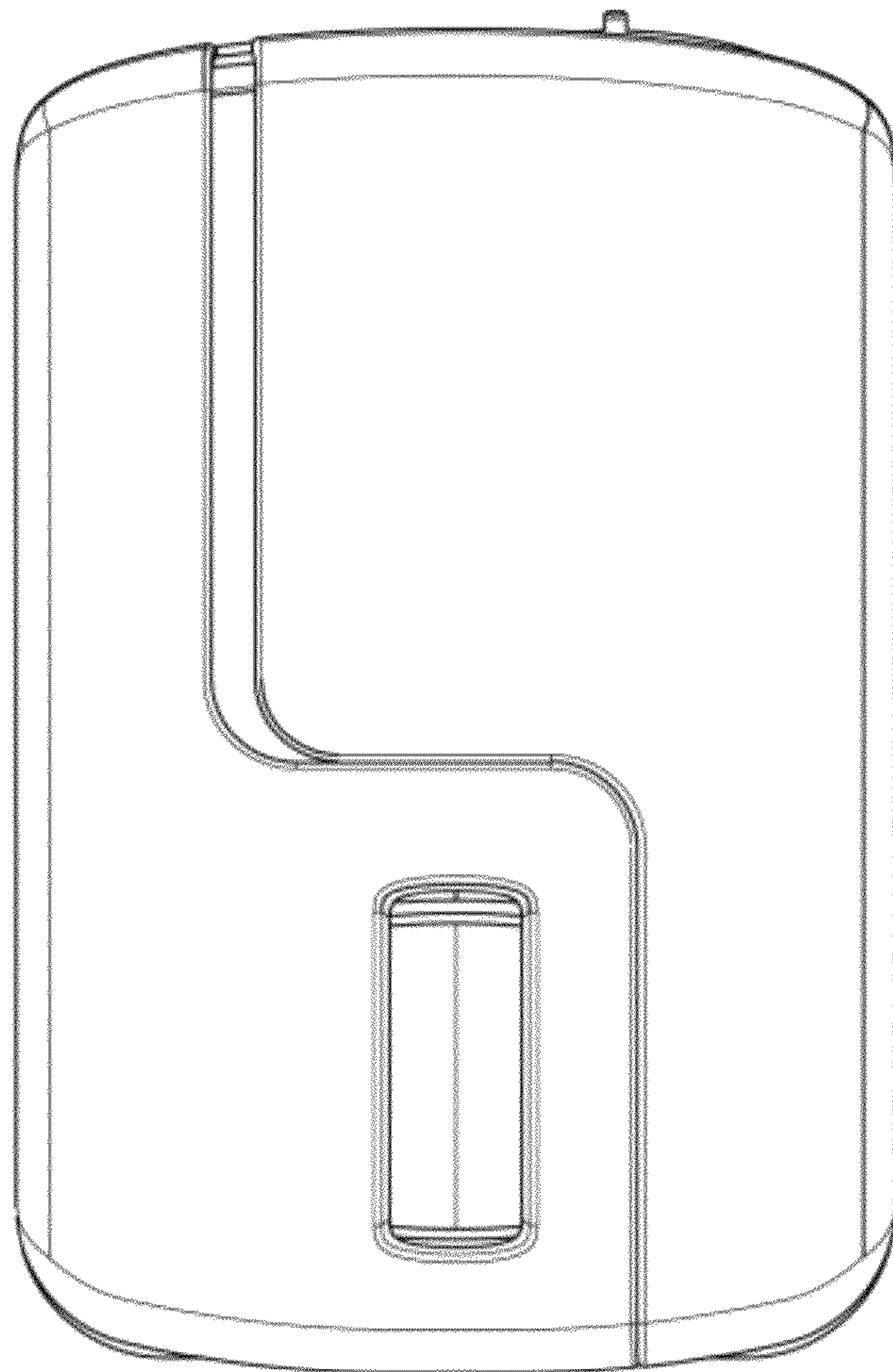


FIG. 2

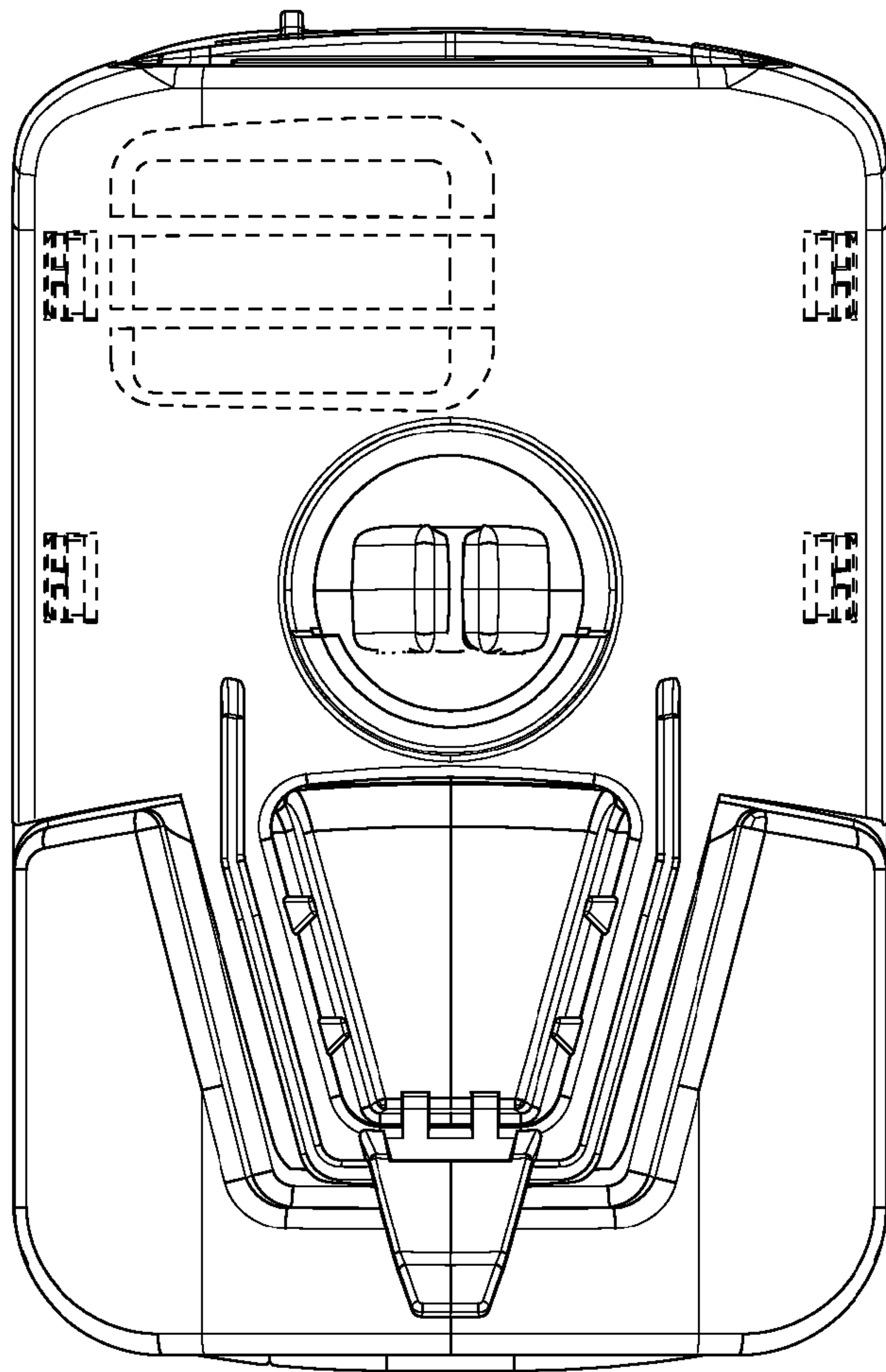


FIG. 3

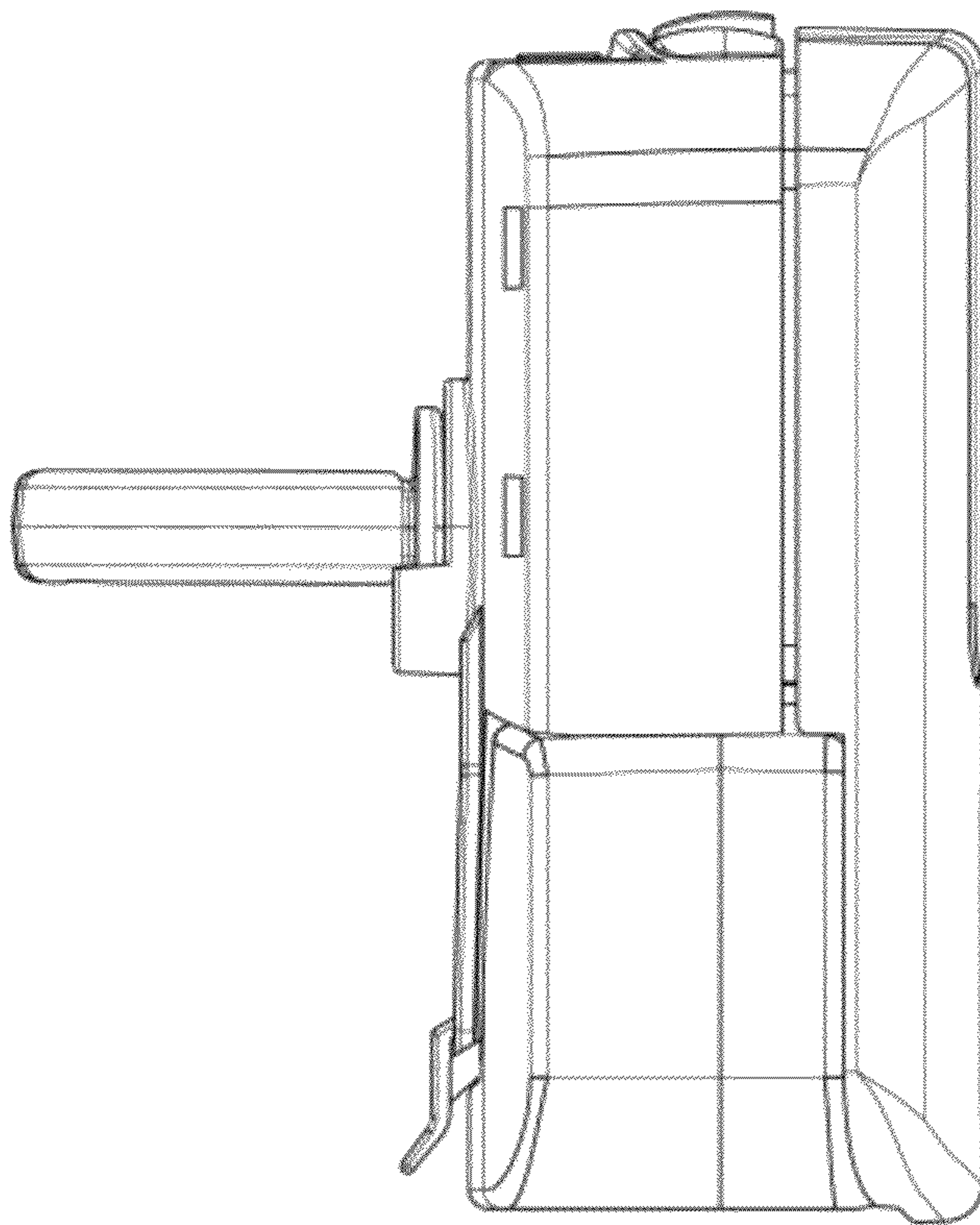


FIG. 4

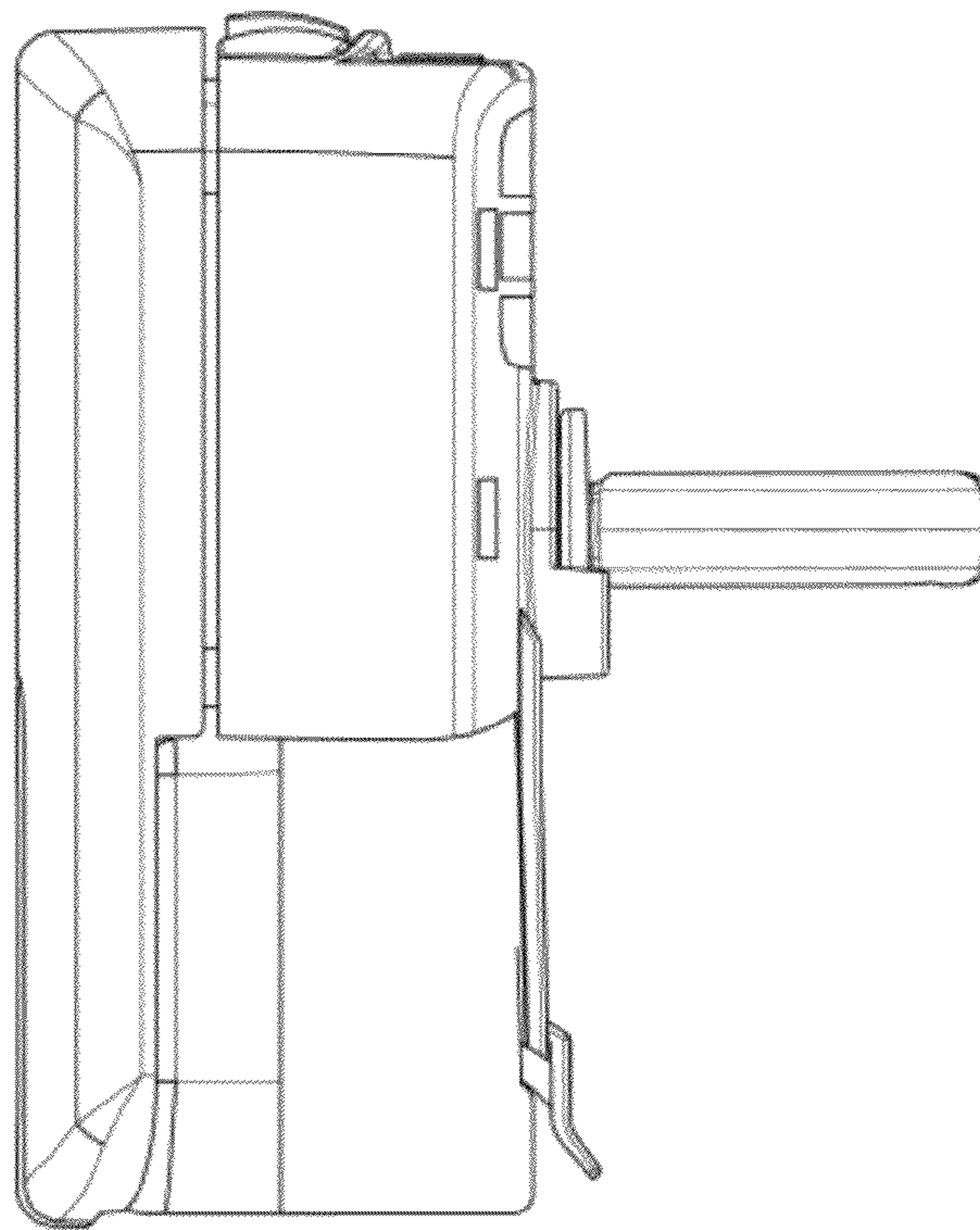


FIG. 5

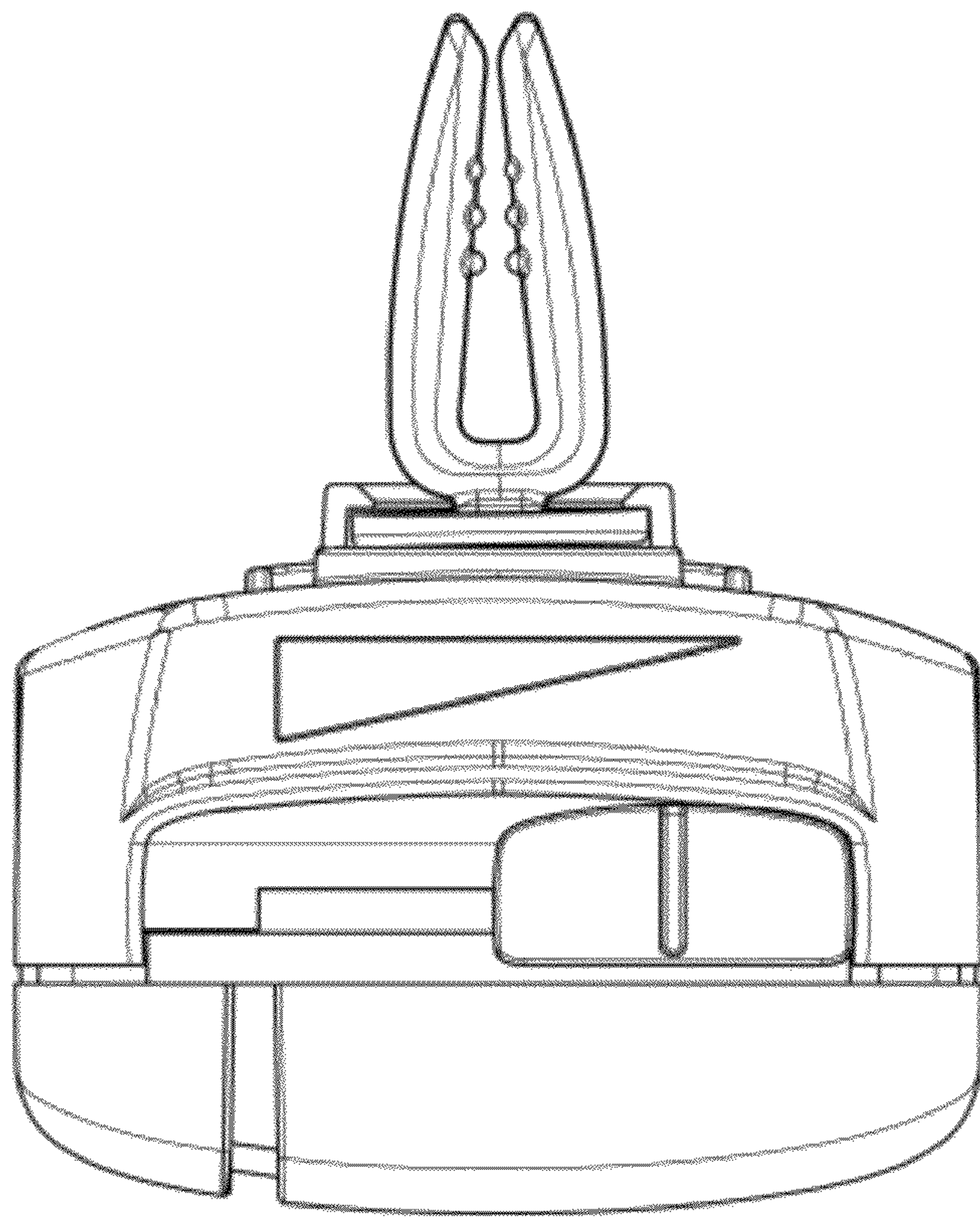


FIG. 6

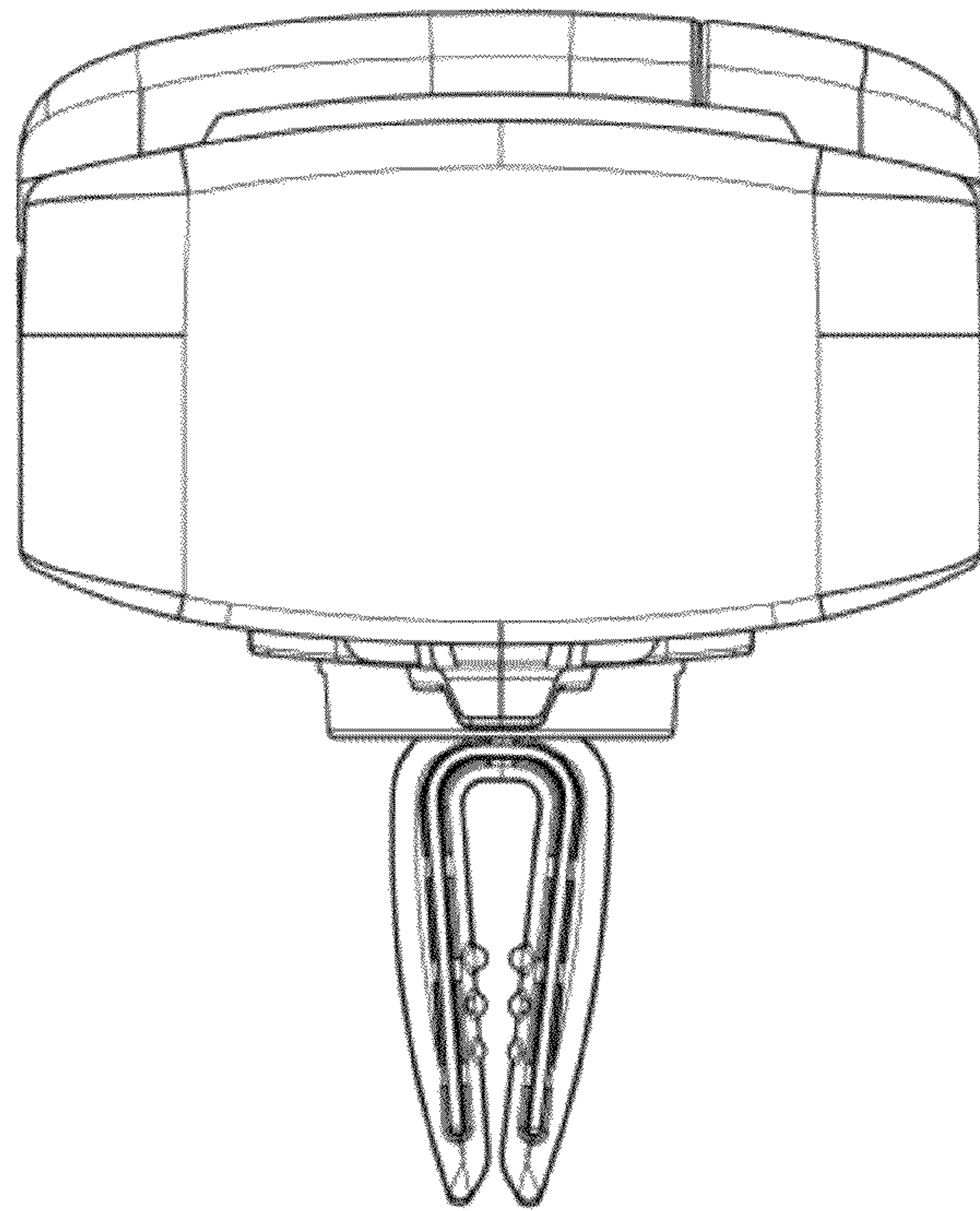


FIG. 7