



US00D660406S

(12) **United States Design Patent**
Thom et al.

(10) **Patent No.:** **US D660,406 S**
(45) **Date of Patent:** **** May 22, 2012**

(54) **URINE SPLASH GUARD**

(75) Inventors: **Paul Thom**, Butler, NJ (US); **David Landsberger**, Chincoteague, VA (US); **Kurt Landsberger**, Verona, NJ (US); **Kathleen O. Hanek**, Bloomingdale, NJ (US)

(73) Assignee: **Bel-Art Products**, Pequannock, NJ (US)

(**) Term: **14 Years**

(21) Appl. No.: **29/404,434**

(22) Filed: **Oct. 20, 2011**

Related U.S. Application Data

(63) Continuation of application No. 12/386,725, filed on Apr. 21, 2009, now abandoned.

(51) **LOC (9) Cl.** **23-02**

(52) **U.S. Cl.** **D23/310**

(58) **Field of Classification Search** D23/303, D23/309-310, 296; 4/DIG. 4
See application file for complete search history.

(56) **References Cited**

U.S. PATENT DOCUMENTS

1,910,736 A * 5/1933 Arthur 4/DIG. 5
D93,774 S * 11/1934 Kroll et al. 4/DIG. 5
2,100,774 A * 11/1937 De Puy et al. D23/296

2,113,705 A * 4/1938 Merrett D23/310
2,294,349 A * 8/1942 Muller D23/310
D139,221 S * 10/1944 Bloom D23/310
2,446,160 A * 7/1948 Muller D23/310
D170,806 S * 11/1953 Inman D23/296
2,719,305 A * 10/1955 La Hue D23/296
2,955,296 A * 10/1960 Zapolski D23/296
D206,221 S * 11/1966 Jensen et al. D23/296
5,077,840 A * 1/1992 Masters et al. 4/DIG. 5
6,408,447 B1 * 6/2002 Burbank et al. 4/DIG. 5

* cited by examiner

Primary Examiner — Robert Delehanty

(74) *Attorney, Agent, or Firm* — Lowenstein Sandler PC

(57) **CLAIM**

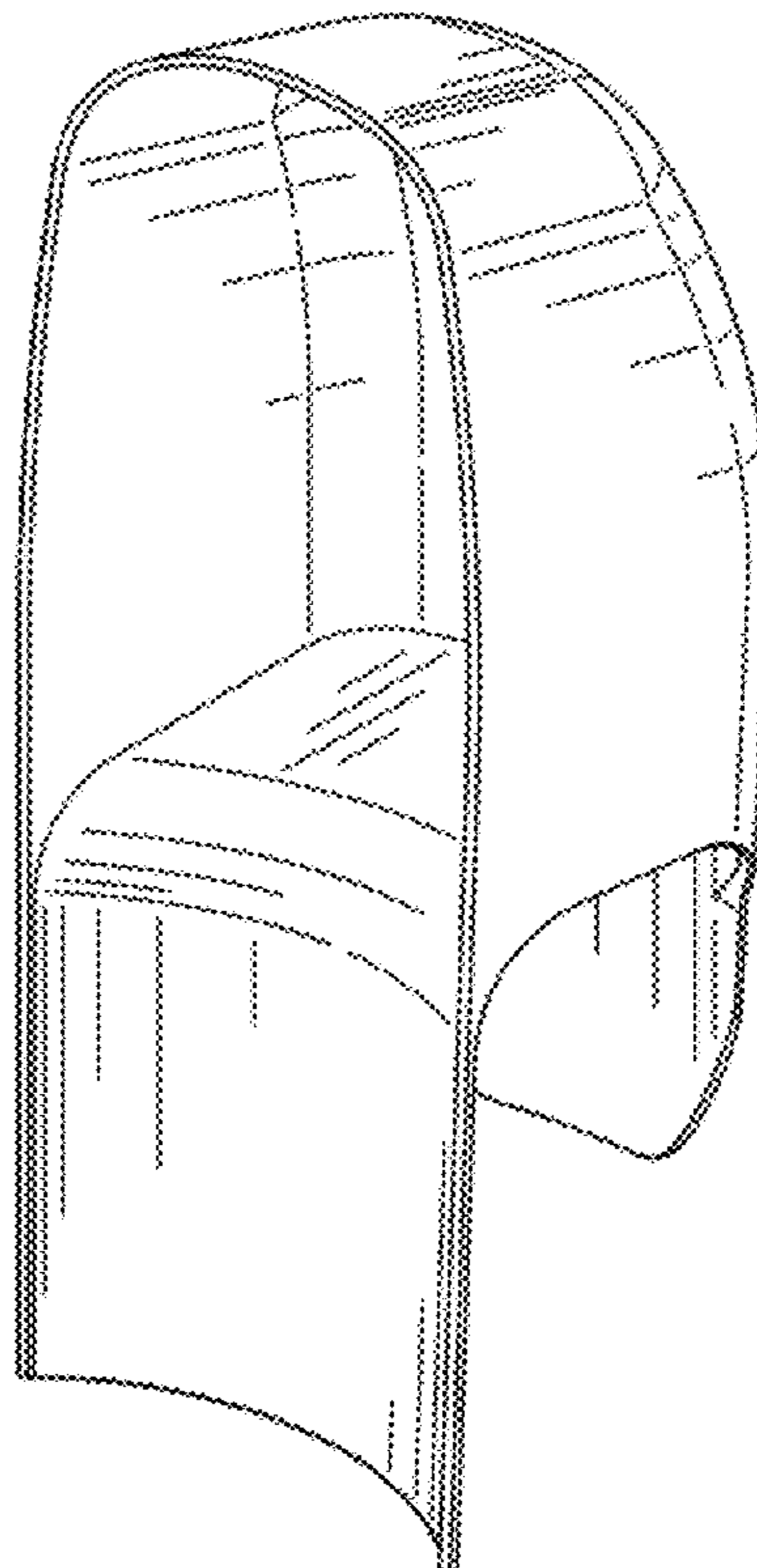
The ornamental design for a urine splash guard, as shown and described.

DESCRIPTION

FIG. 1 is a perspective view of a urine splash guard in accordance with an embodiment of our new design;
FIG. 2 is a front view of FIG. 1;
FIG. 3 is a rear view of FIG. 1;
FIG. 4 is a side view of FIG. 1;
FIG. 5 is a top plan view of FIG. 1;
FIG. 6 is a bottom plan view of FIG. 1; and,
FIG. 7 is another perspective view of the urine splash guard of FIG. 1.

It is understood that the broken lines are for illustrative purposes only.

1 Claim, 4 Drawing Sheets



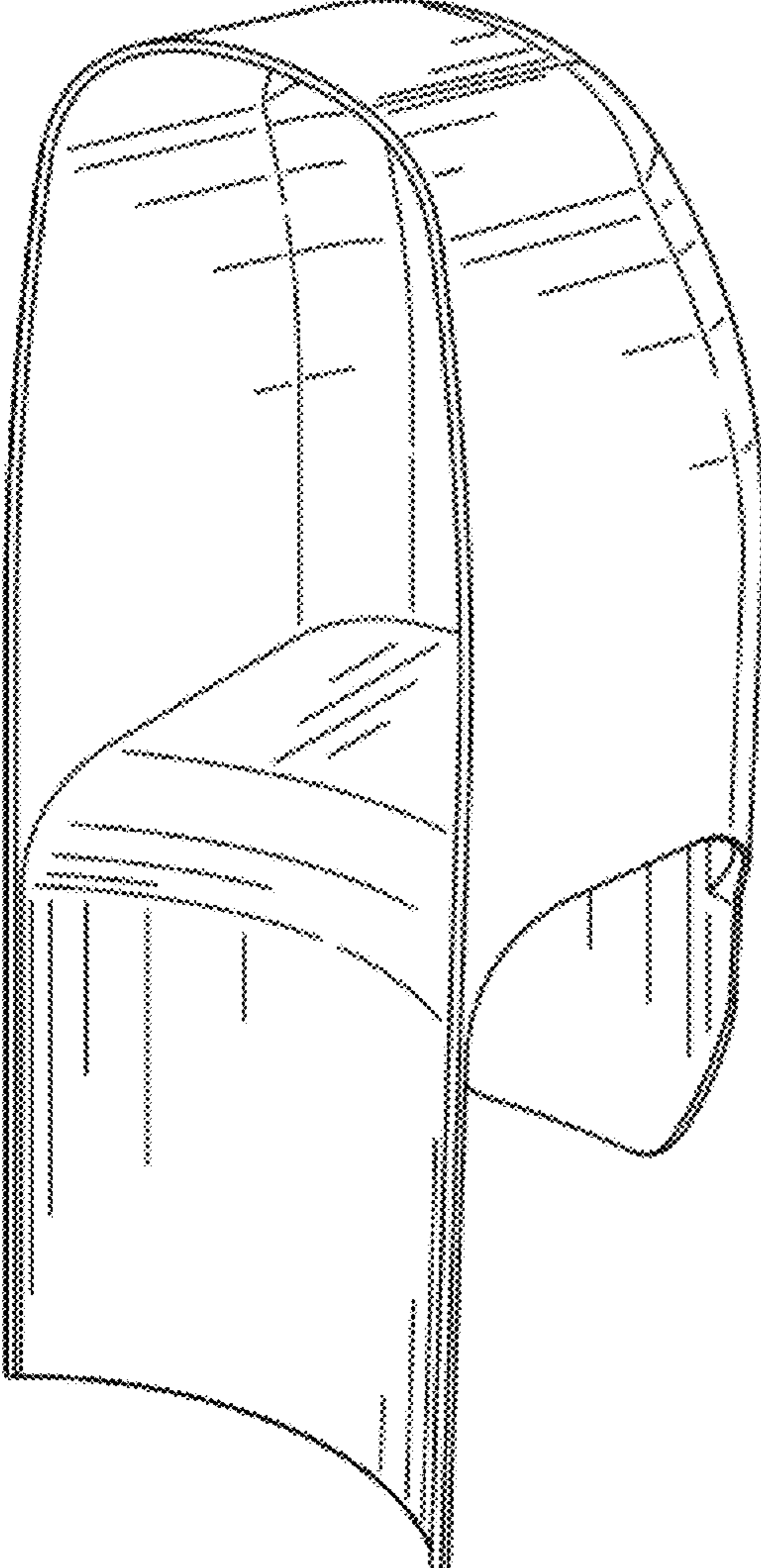


FIG. 1

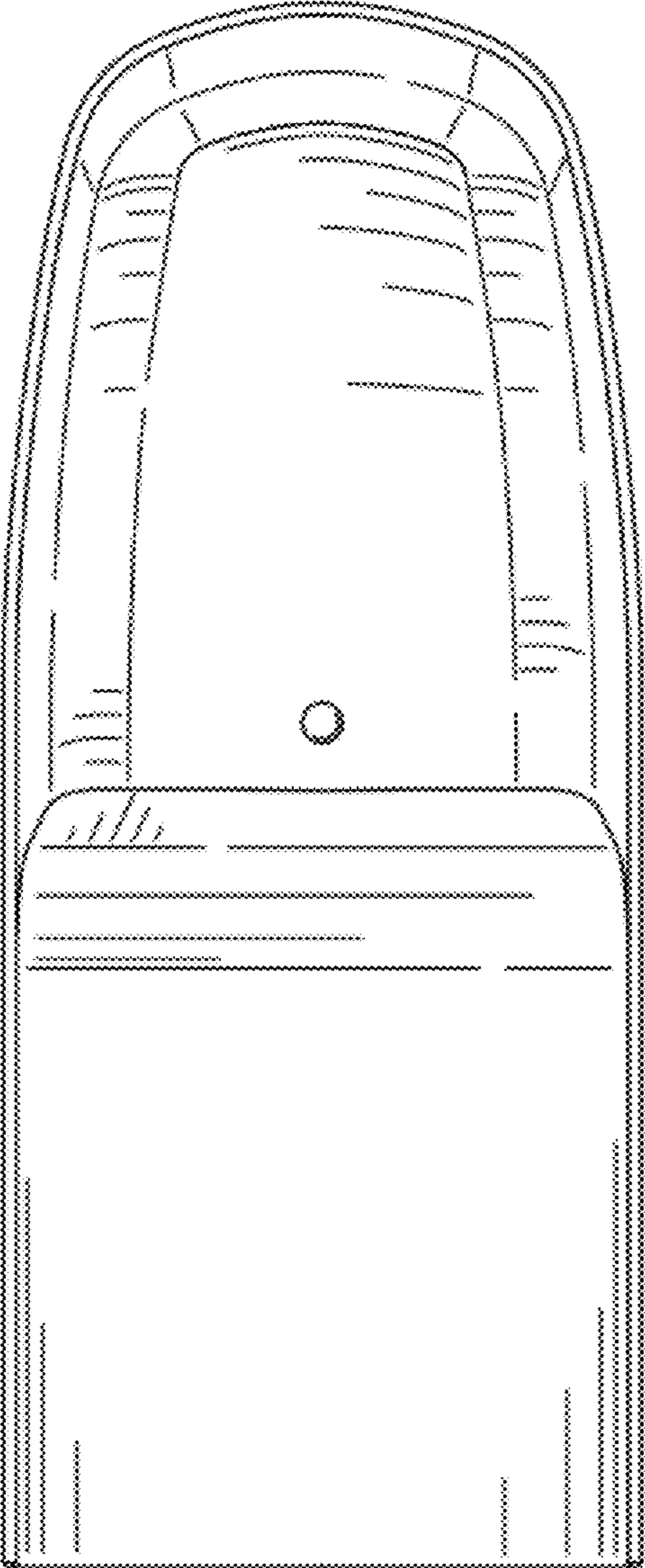


FIG. 2

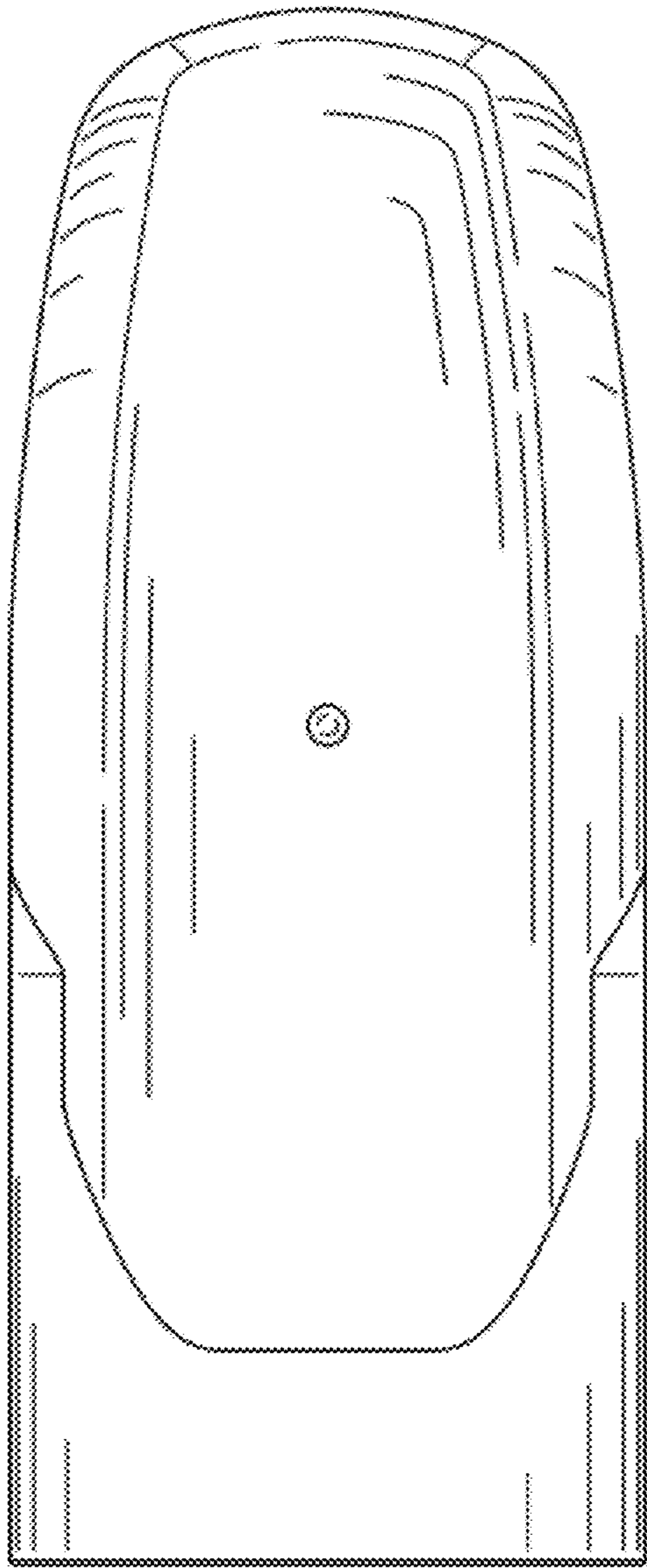


FIG. 3

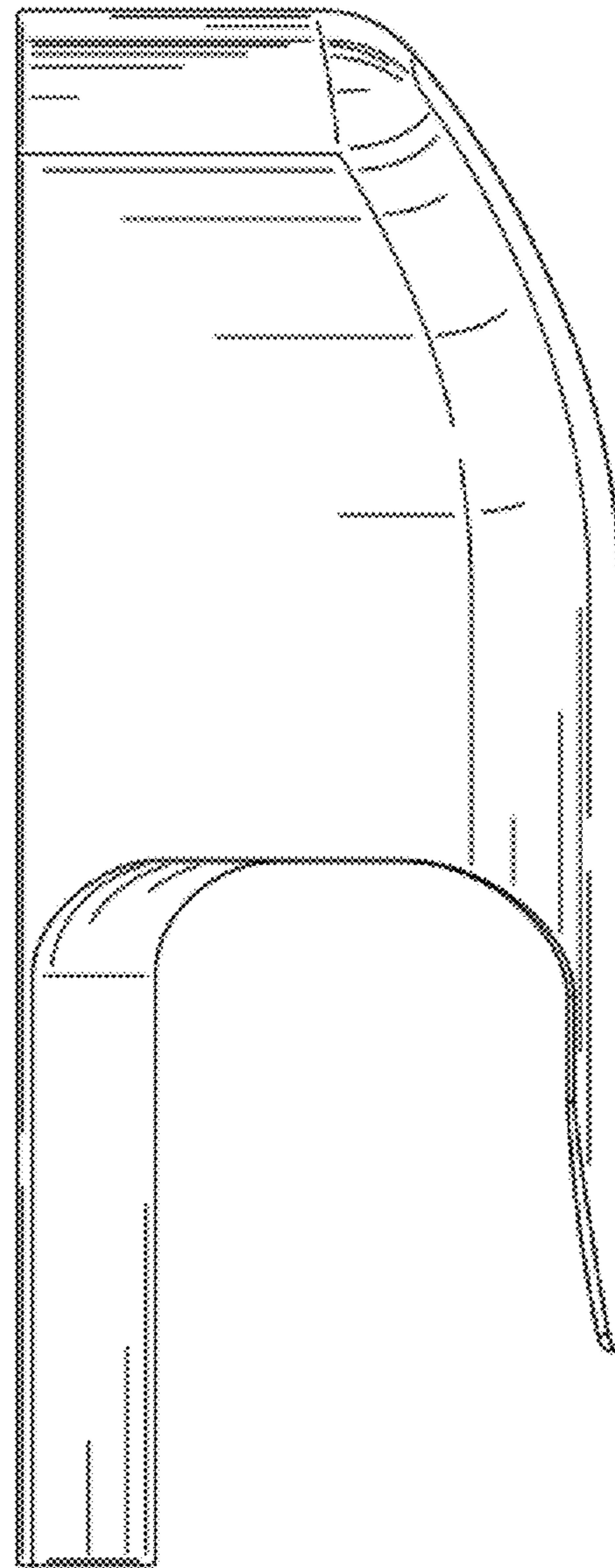


FIG. 4

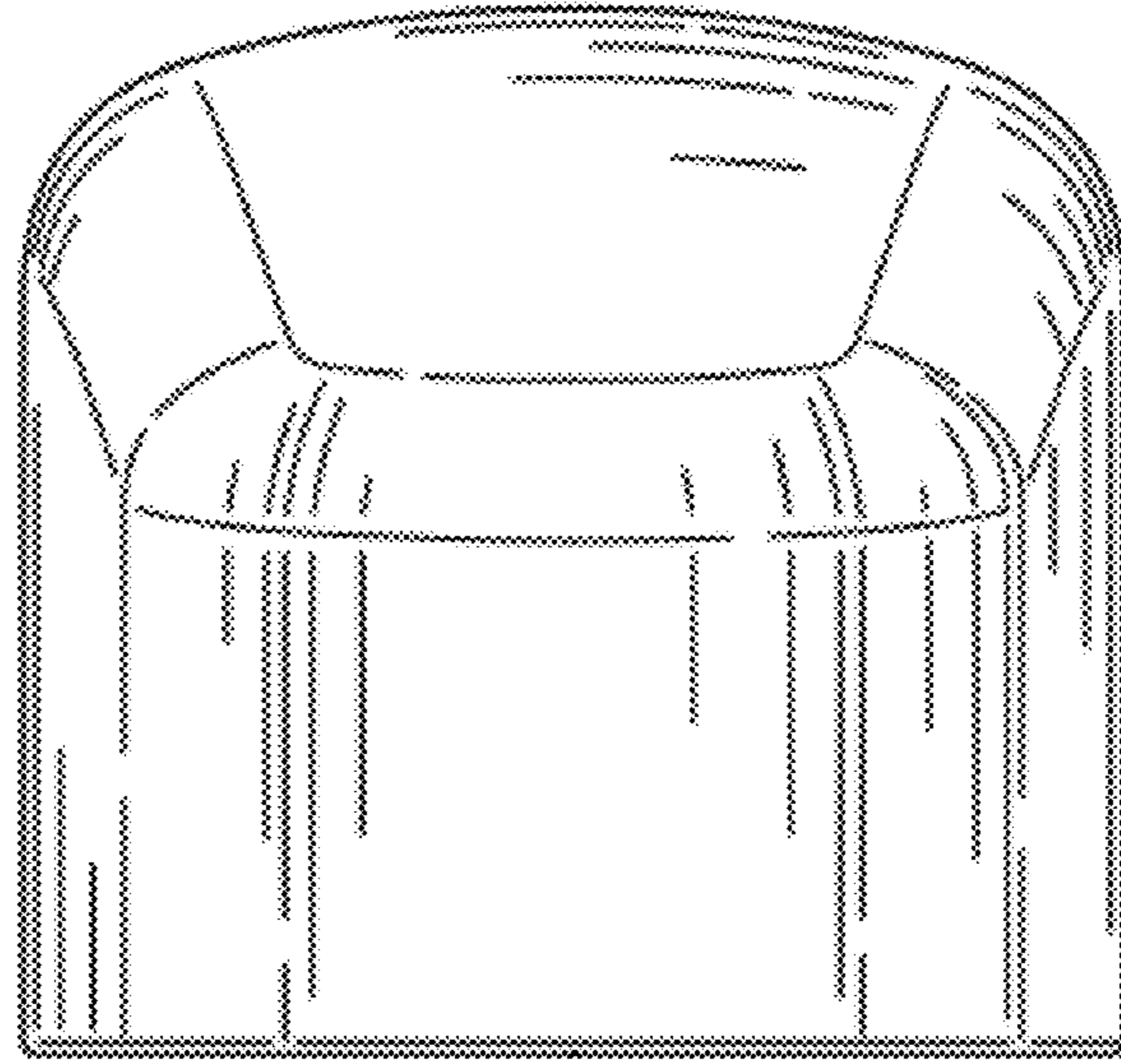


FIG. 5

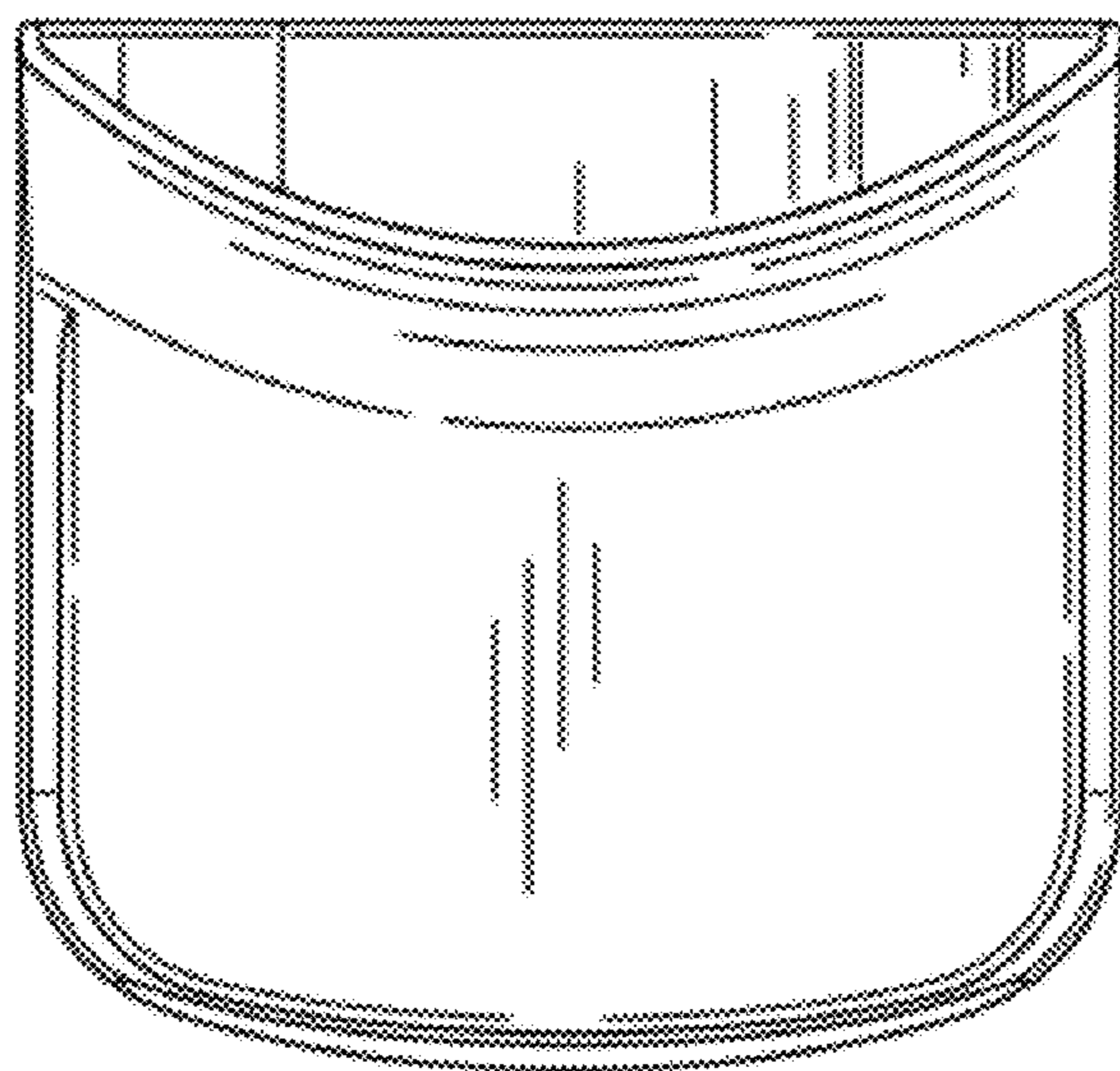


FIG. 6

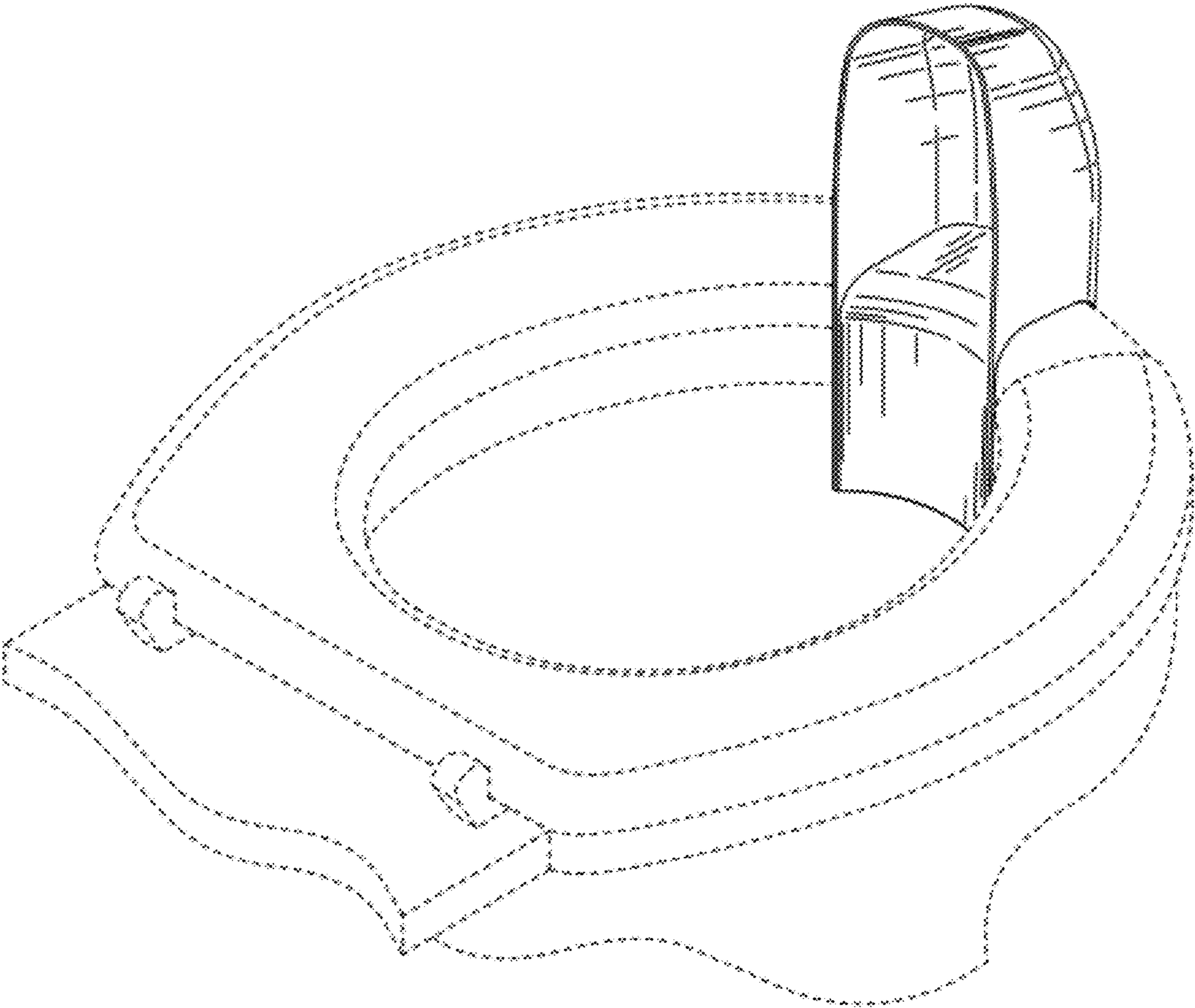


FIG. 7