

US00D660405S

(12) **United States Design Patent**
Marquis-Martin

(10) **Patent No.:** **US D660,405 S**

(45) **Date of Patent:** **** May 22, 2012**

(54) **VORTEX FLOW CONTROL ASSEMBLY**

(75) **Inventor:** **Guillaume Hugo Marquis-Martin,**
Montreal (CA)

(73) **Assignee:** **IPEX Technologies, Inc.,** Mississauga,
Ontario

(**) **Term:** **14 Years**

(21) **Appl. No.:** **29/404,572**

(22) **Filed:** **Oct. 21, 2011**

Related U.S. Application Data

(63) Continuation-in-part of application No. 13/035,486,
filed on Feb. 25, 2011.

(51) **LOC (9) Cl.** **23-01**

(52) **U.S. Cl.** **D23/259**

(58) **Field of Classification Search** D23/259-262;
417/360; 137/810, 812, 813, 315.11
See application file for complete search history.

(56) **References Cited**

U.S. PATENT DOCUMENTS

3,195,303	A *	7/1965	Widell	60/231
3,207,168	A *	9/1965	Warren	137/809
3,215,165	A *	11/1965	Boadway	138/46
3,941,350	A *	3/1976	Kluczynski	251/127
4,306,521	A *	12/1981	Giles	123/41.15
4,846,224	A *	7/1989	Collins et al.	137/810

5,080,137	A *	1/1992	Adams	137/810
5,337,789	A *	8/1994	Cook	137/812
5,913,334	A *	6/1999	Hyun	137/810
6,374,858	B1 *	4/2002	Hides et al.	137/813
D635,644	S *	4/2011	Yamada	D23/233
D639,392	S *	6/2011	Yamada	D23/233
D652,116	S *	1/2012	Fukushima	D23/235

* cited by examiner

Primary Examiner — T. Chase Nelson

Assistant Examiner — Eric Goodman

(74) *Attorney, Agent, or Firm* — K&L Gates LLP

(57) **CLAIM**

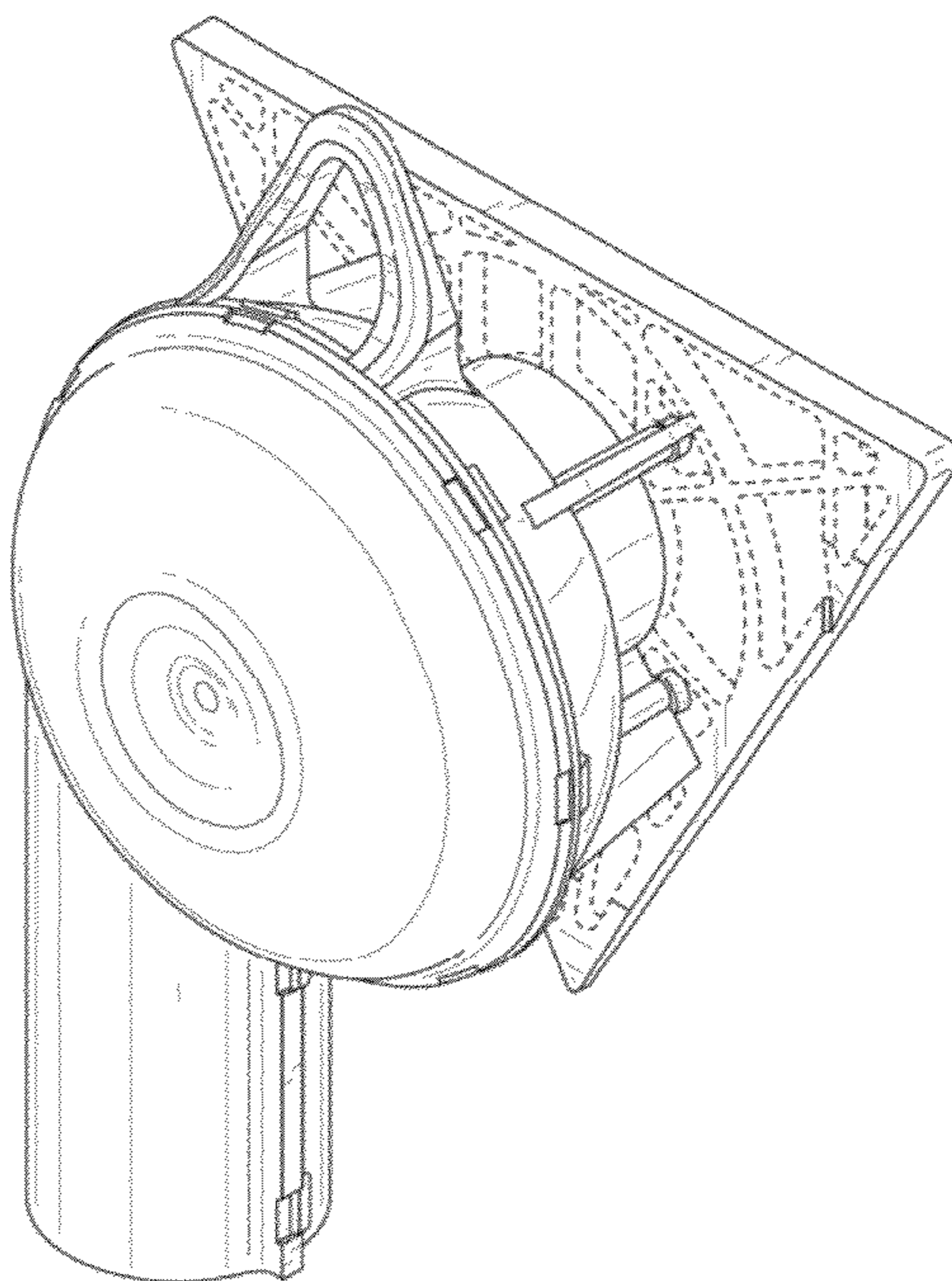
The ornamental design for a vortex flow control assembly, as shown and described.

DESCRIPTION

FIG. 1 is a right perspective view of a vortex flow control assembly showing my new design; FIG. 2 is a front view thereof; FIG. 3 is a back view thereof; FIG. 4 is a left side view thereof; FIG. 5 is a right side view thereof; FIG. 6 is a top view thereof; and, FIG. 7 is a bottom view thereof.

The broken line portions in the drawings are for illustrative purposes and do not form a part of the claimed design.

1 Claim, 7 Drawing Sheets



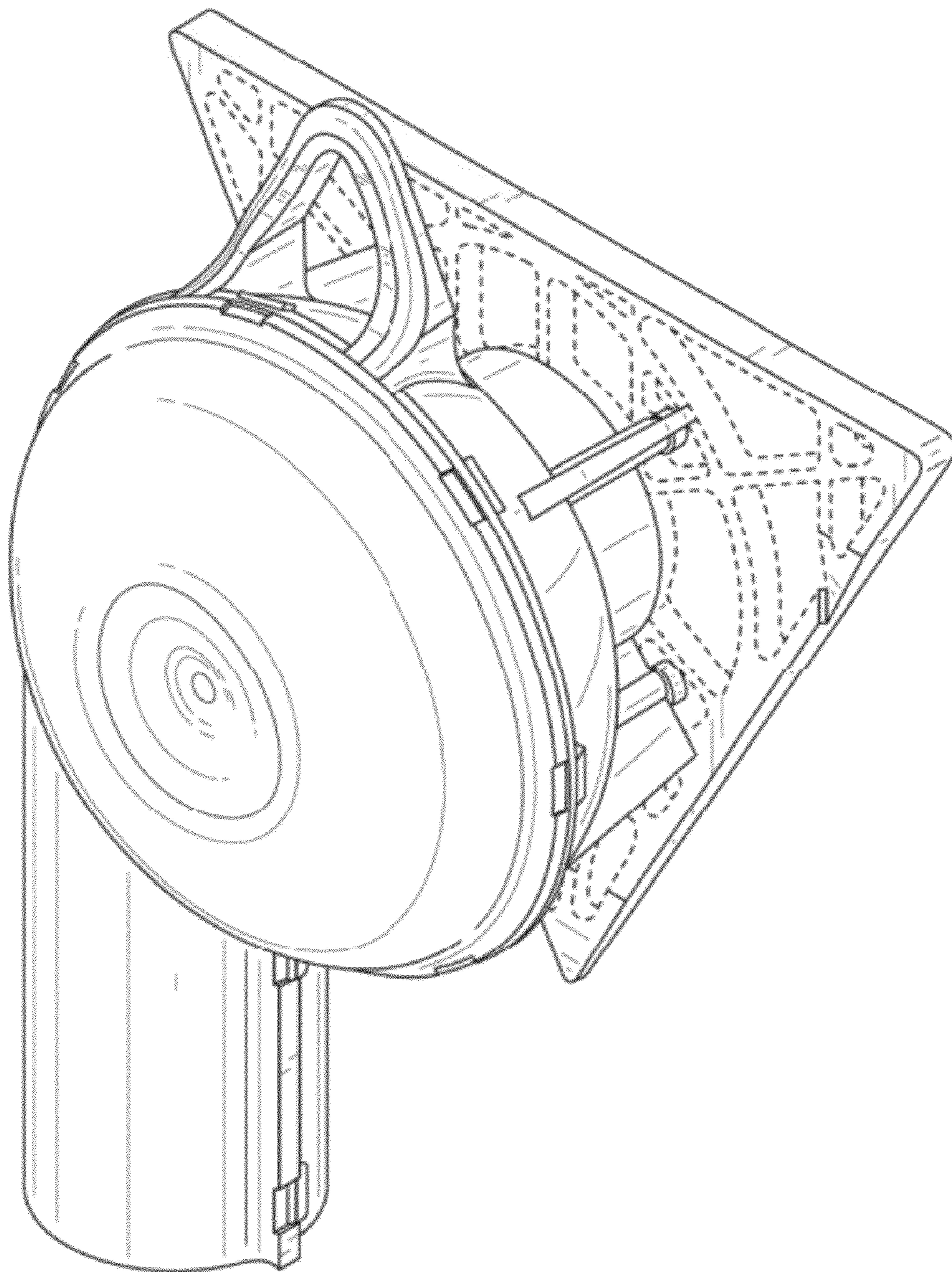


FIG. 1

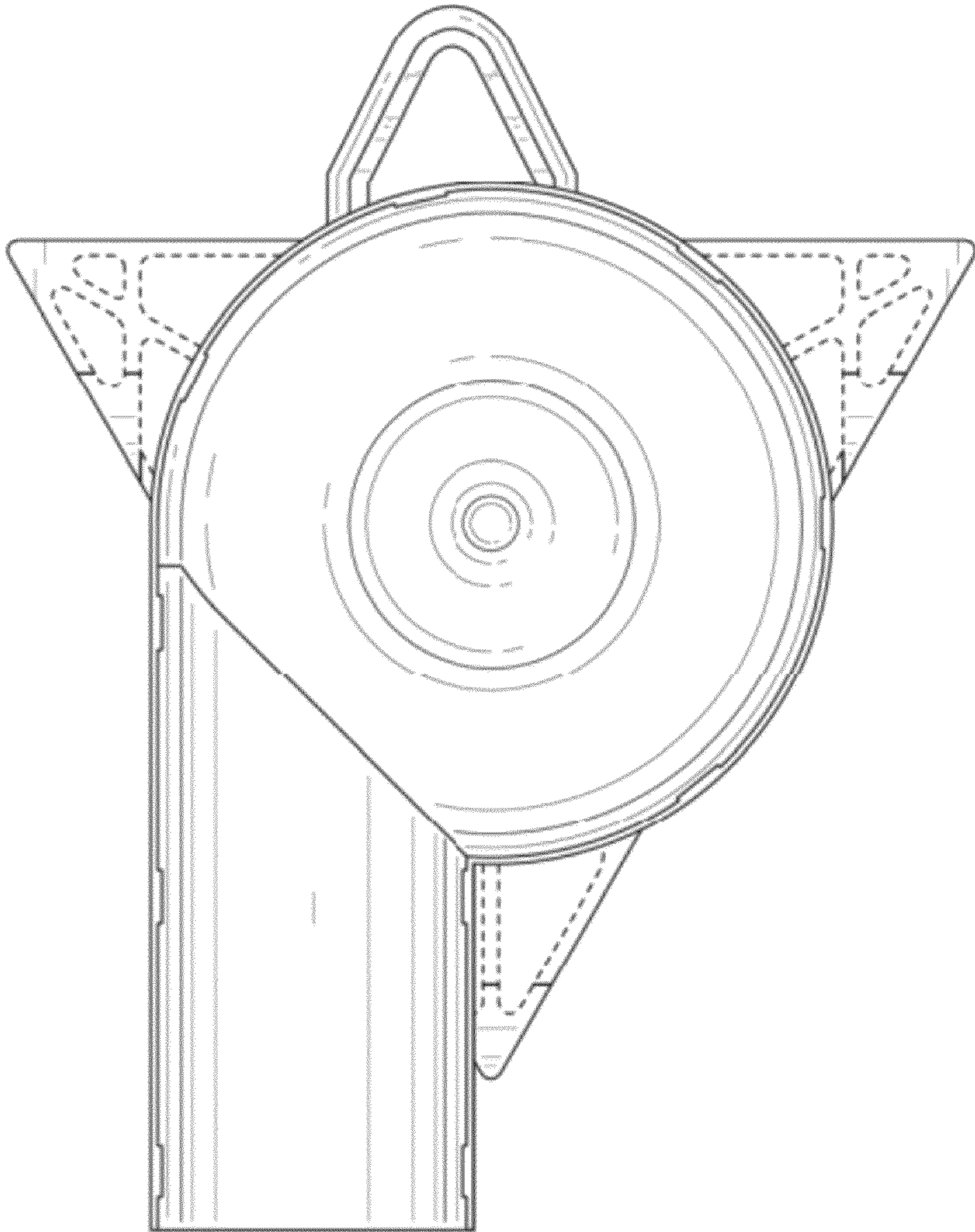


FIG. 2

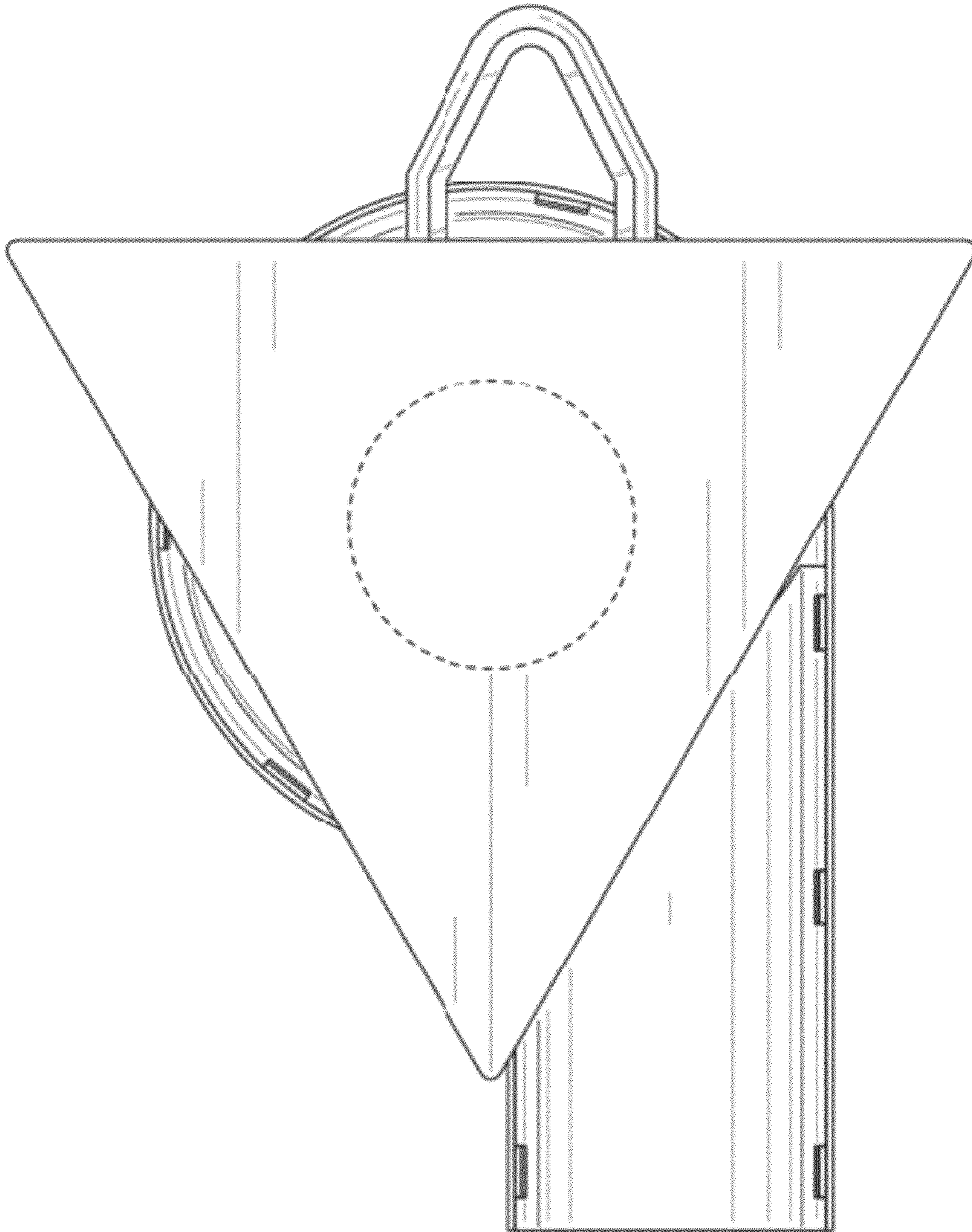


FIG. 3

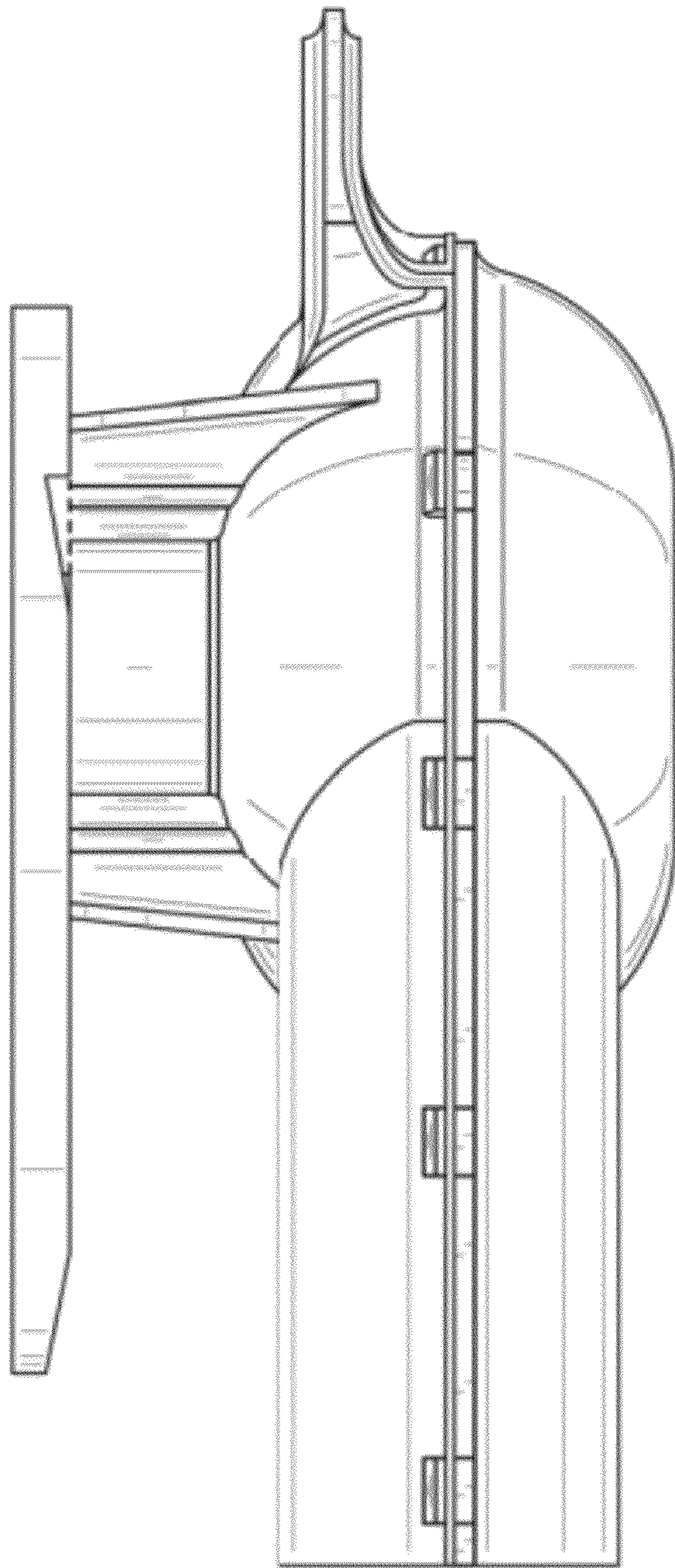


FIG. 4

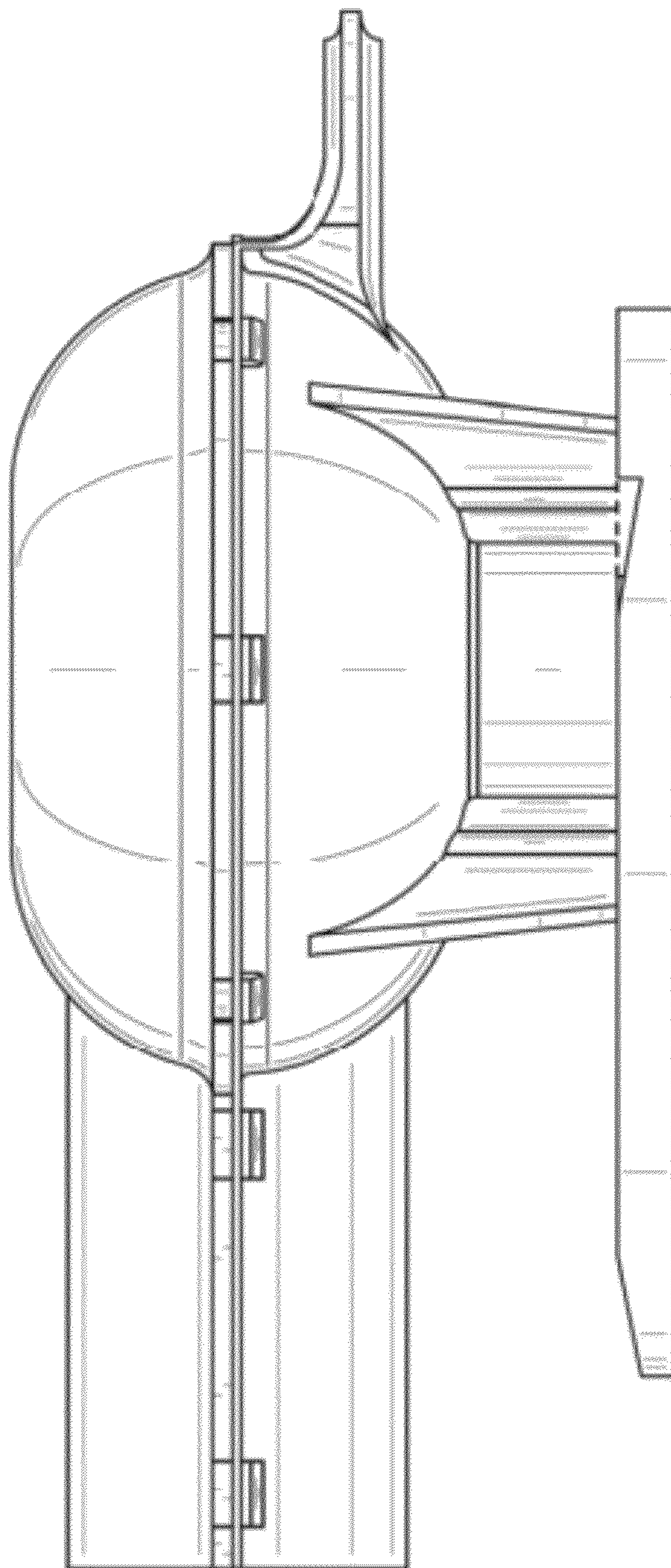


FIG. 5

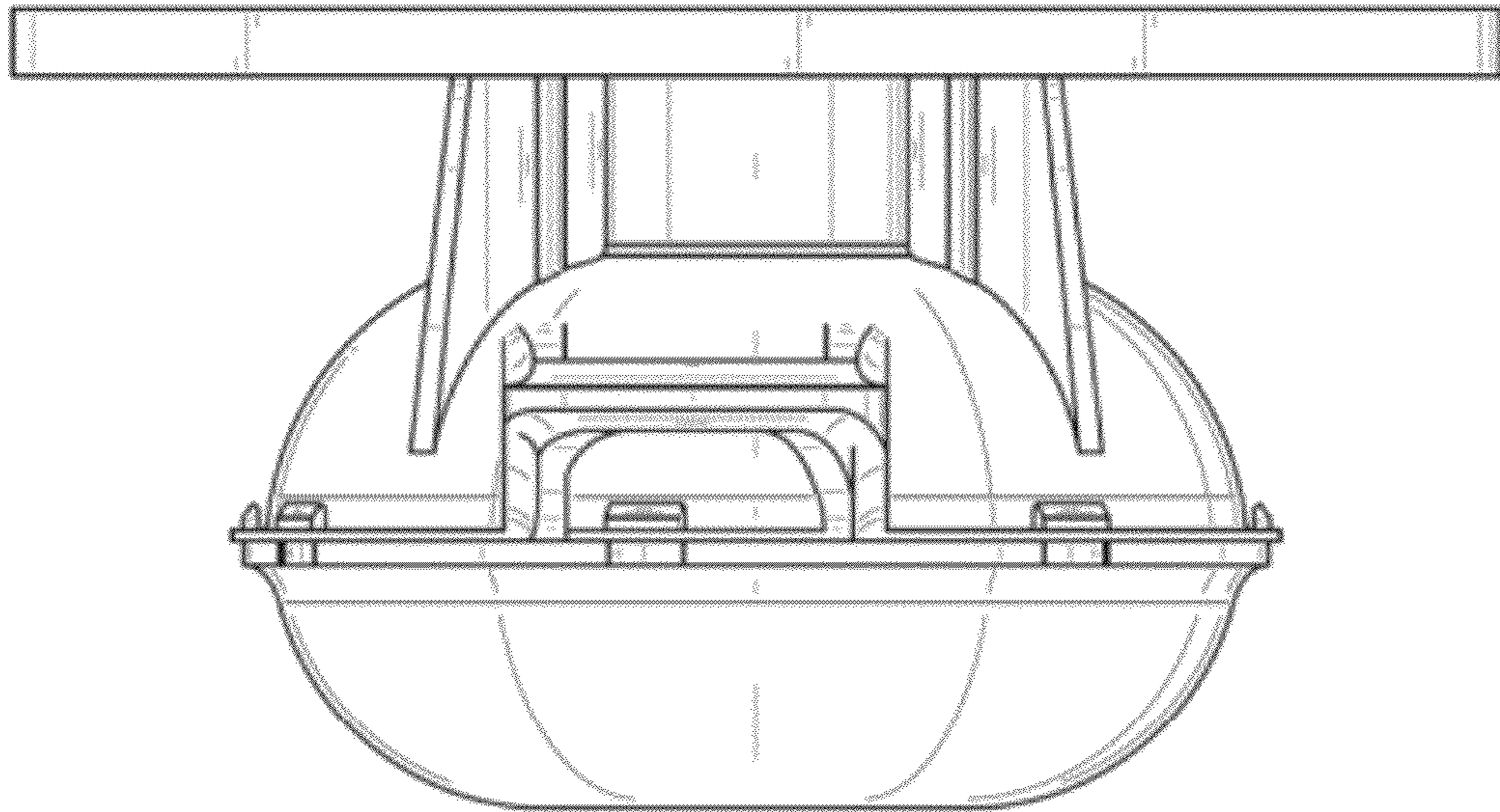


FIG. 6

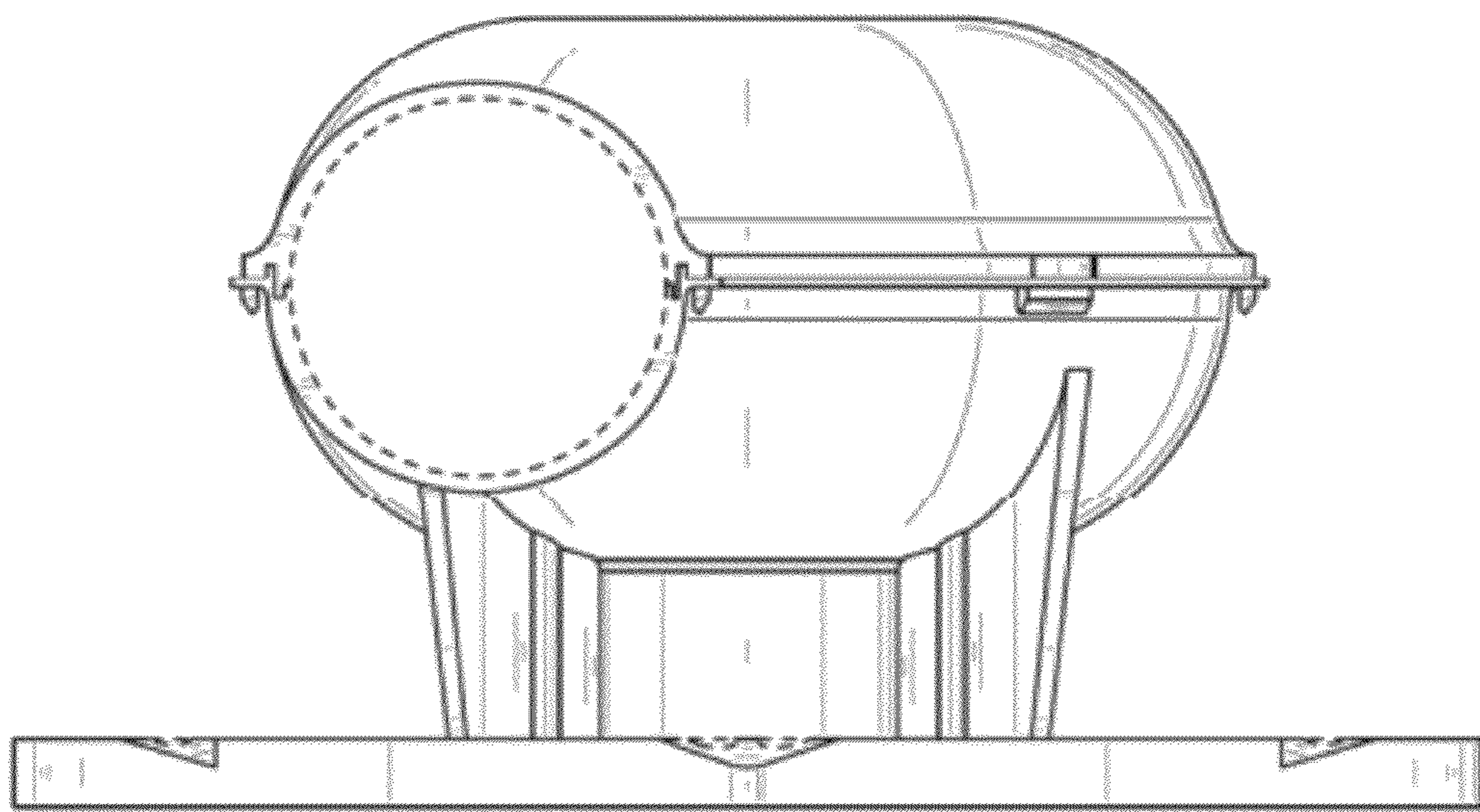


FIG. 7