



US00D660404S

(12) **United States Design Patent**
Weingarten

(10) **Patent No.:** **US D660,404 S**

(45) **Date of Patent:** **** May 22, 2012**

(54) **HYDRAULIC AUTOMATIC CONTROL VALVE**

(75) Inventor: **Zvi Weingarten**, Evron (IL)

(73) Assignee: **Bermad CS Ltd.**, Kibbutz Evron (IL)

(**) Term: **14 Years**

(21) Appl. No.: **29/362,910**

(22) Filed: **Jun. 2, 2010**

(51) **LOC (9) Cl.** **23-01**

(52) **U.S. Cl.** **D23/244**

(58) **Field of Classification Search** D23/213,
D23/233-234, 236, 244, 249, 254, 258; D10/106;
D13/164, 168; 700/83, 85; 345/156; 340/407.2;
138/46; 73/861.27; 137/138, 218, 299, 300,
137/318, 594

See application file for complete search history.

(56) **References Cited**

U.S. PATENT DOCUMENTS

D268,048 S *	2/1983	Ueda	D23/248
D335,331 S *	5/1993	Weingarten	D23/248
D384,300 S *	9/1997	Hendy	10/99
D460,526 S *	7/2002	Weingarten	D23/244
D522,619 S *	6/2006	Scaramucci et al.	D23/249

D560,131 S *	1/2008	Hu	10/81
D591,831 S *	5/2009	German et al.	D23/249
D617,878 S *	6/2010	Weingarten	D23/244
2004/0168726 A1 *	9/2004	Weingarten	137/556
2006/0289816 A1 *	12/2006	Weingarten	251/31

* cited by examiner

Primary Examiner — Joel A. Sincavage

Assistant Examiner — Maurice Stevens

(74) *Attorney, Agent, or Firm* — Mark M Friedman

(57) **CLAIM**

The ornamental design for a hydraulic automatic control valve, as shown and described.

DESCRIPTION

FIG. 1 is a front view of a hydraulic automatic control valve showing my design;

FIG. 2 is a rear view thereof;

FIG. 3 is a side view thereof;

FIG. 4 is a side view thereof;

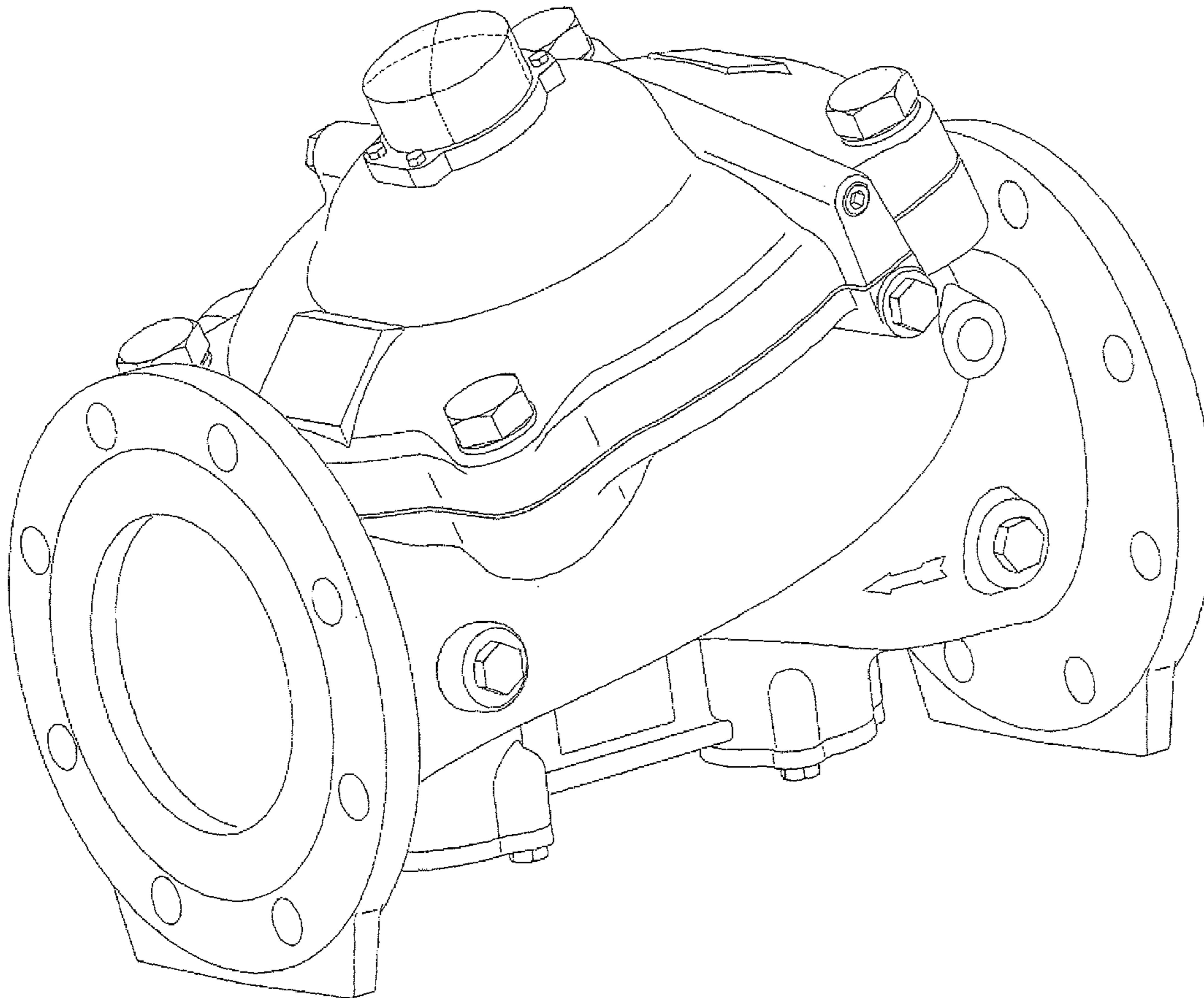
FIG. 5 is a top view thereof;

FIG. 6 is a bottom view thereof; and,

FIG. 7 is an isometric side view thereof.

The broken lines showing of unclaimed portions of the hydraulic control valve form no part of the claimed design.

1 Claim, 7 Drawing Sheets



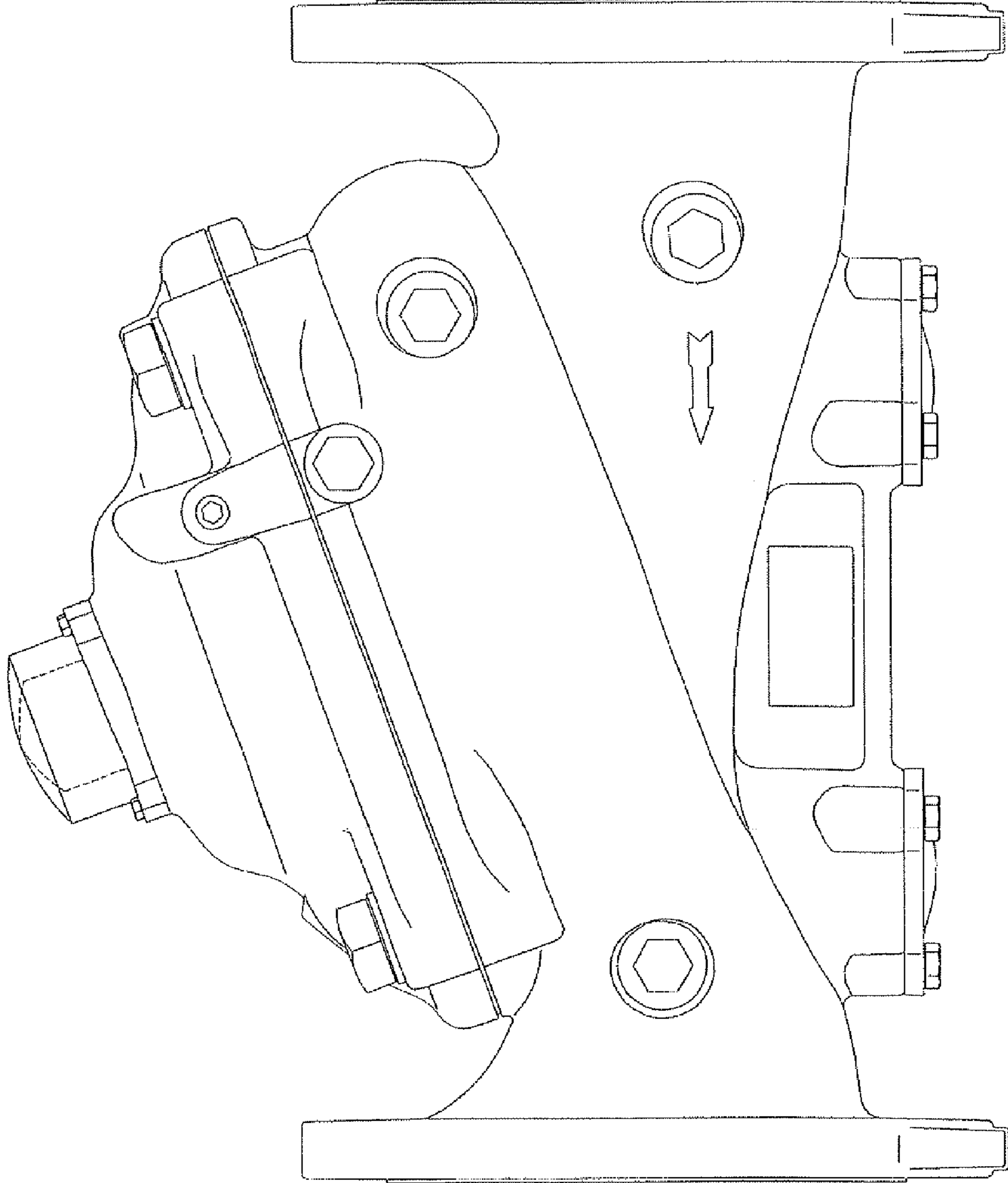


FIG 1

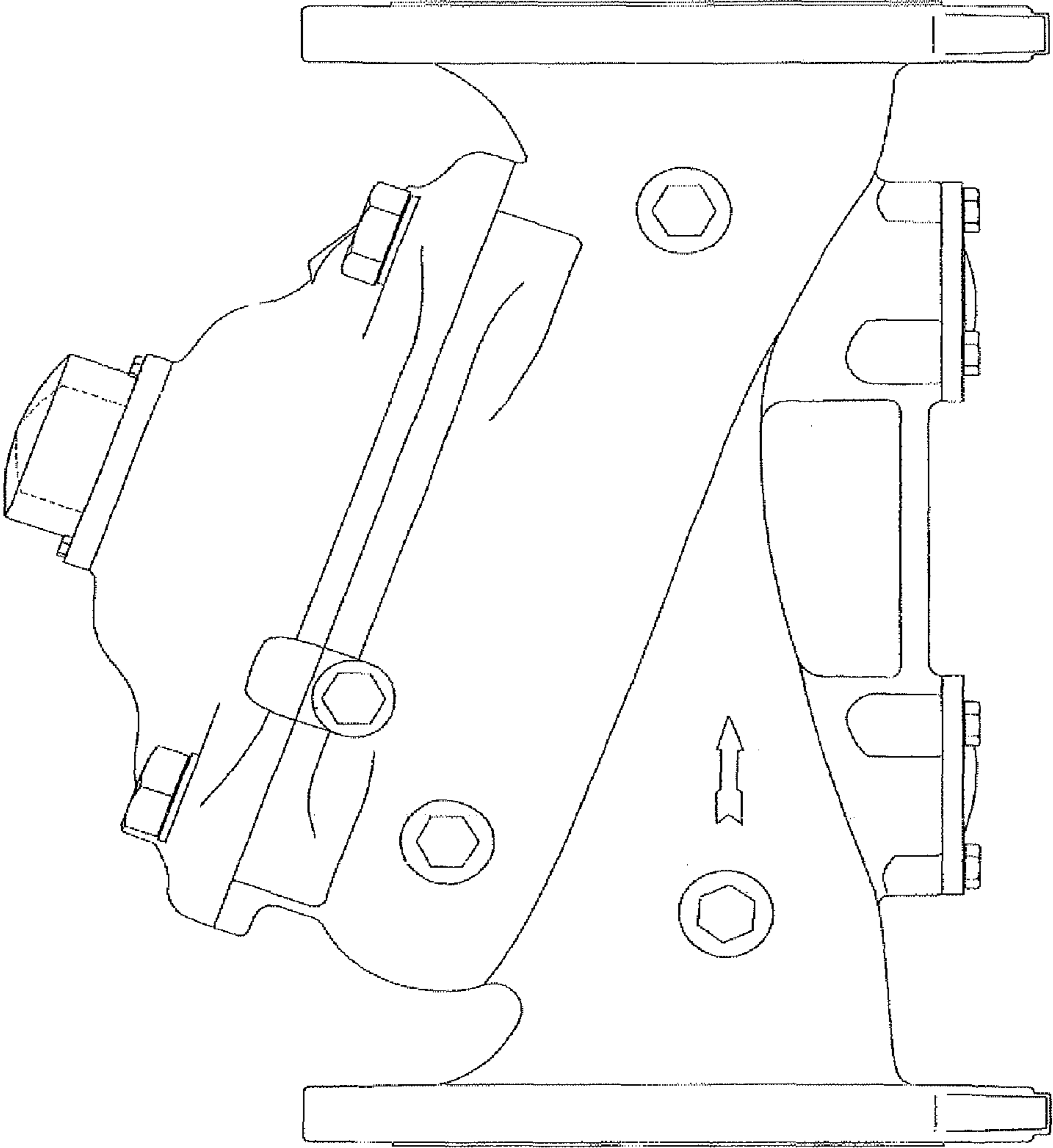


FIG 2

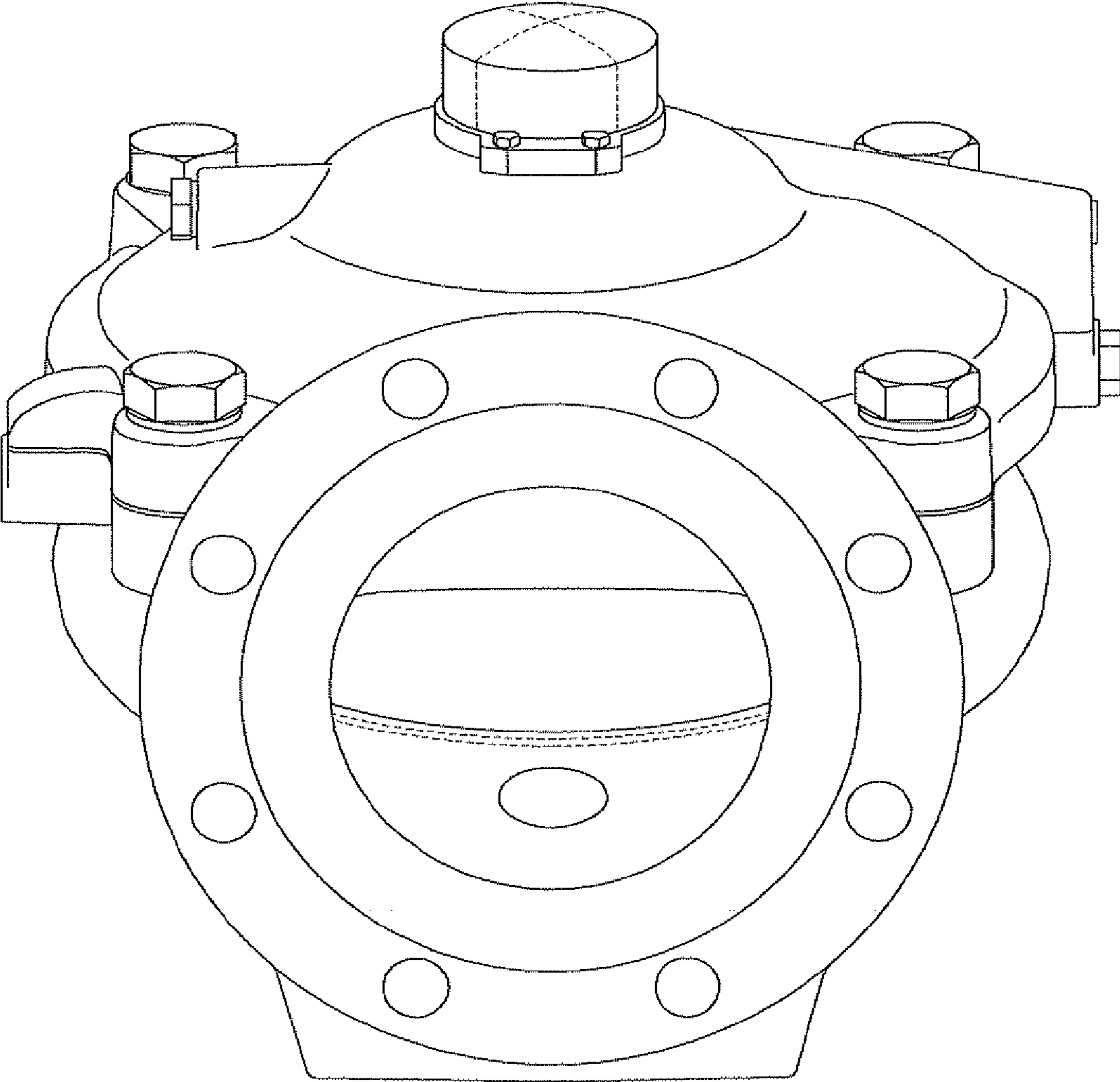


FIG 3

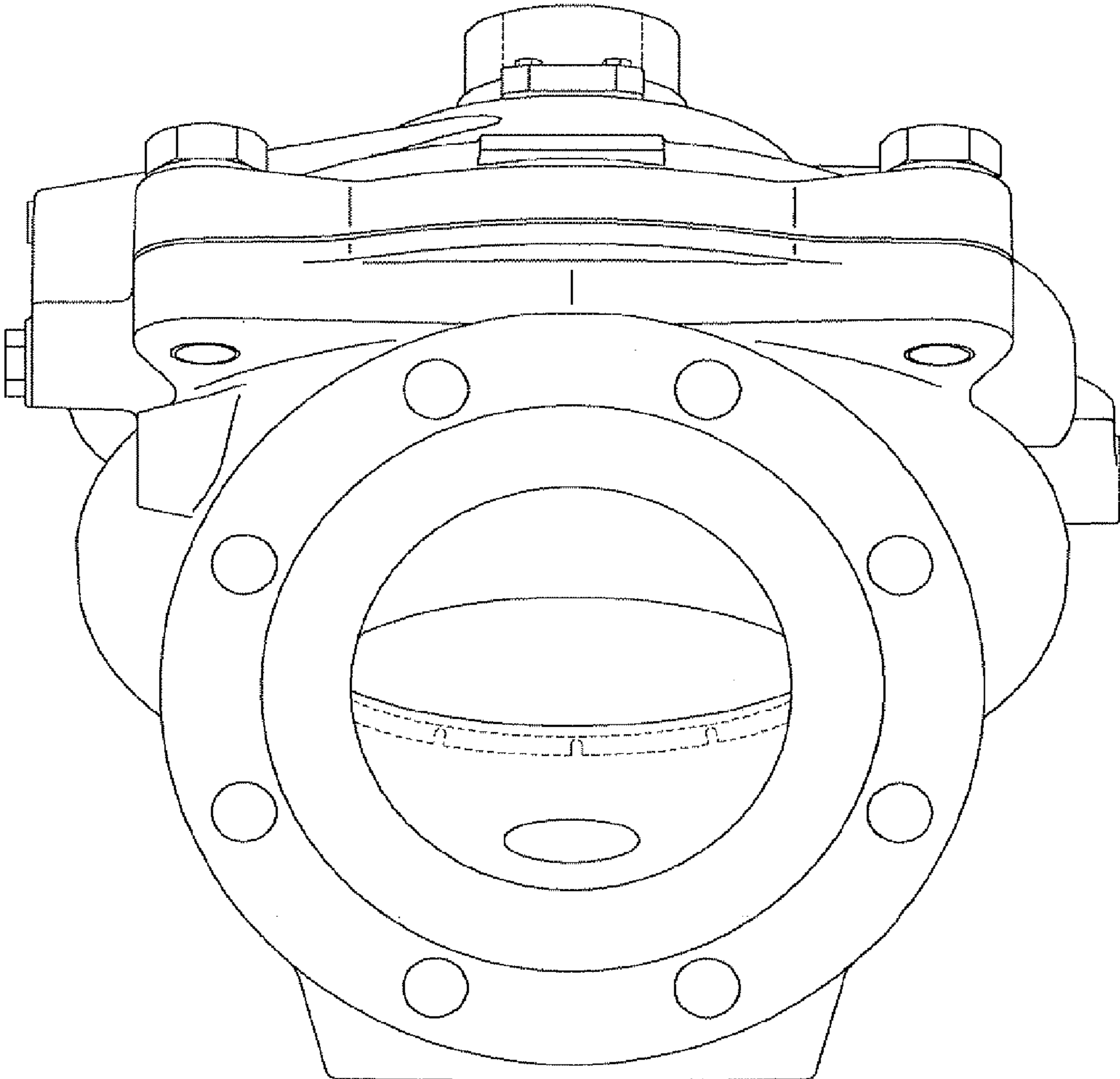


FIG 4

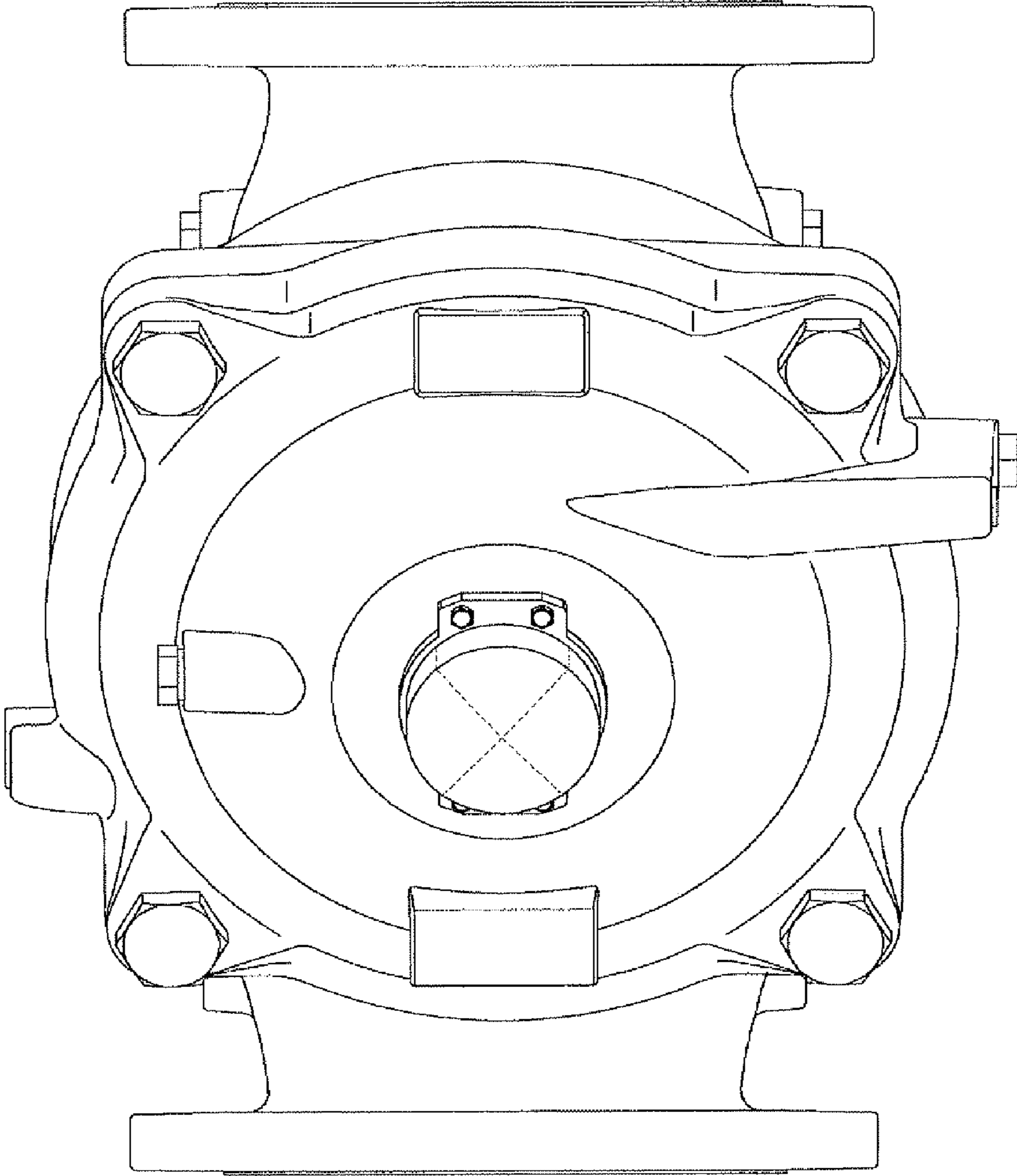


FIG 5

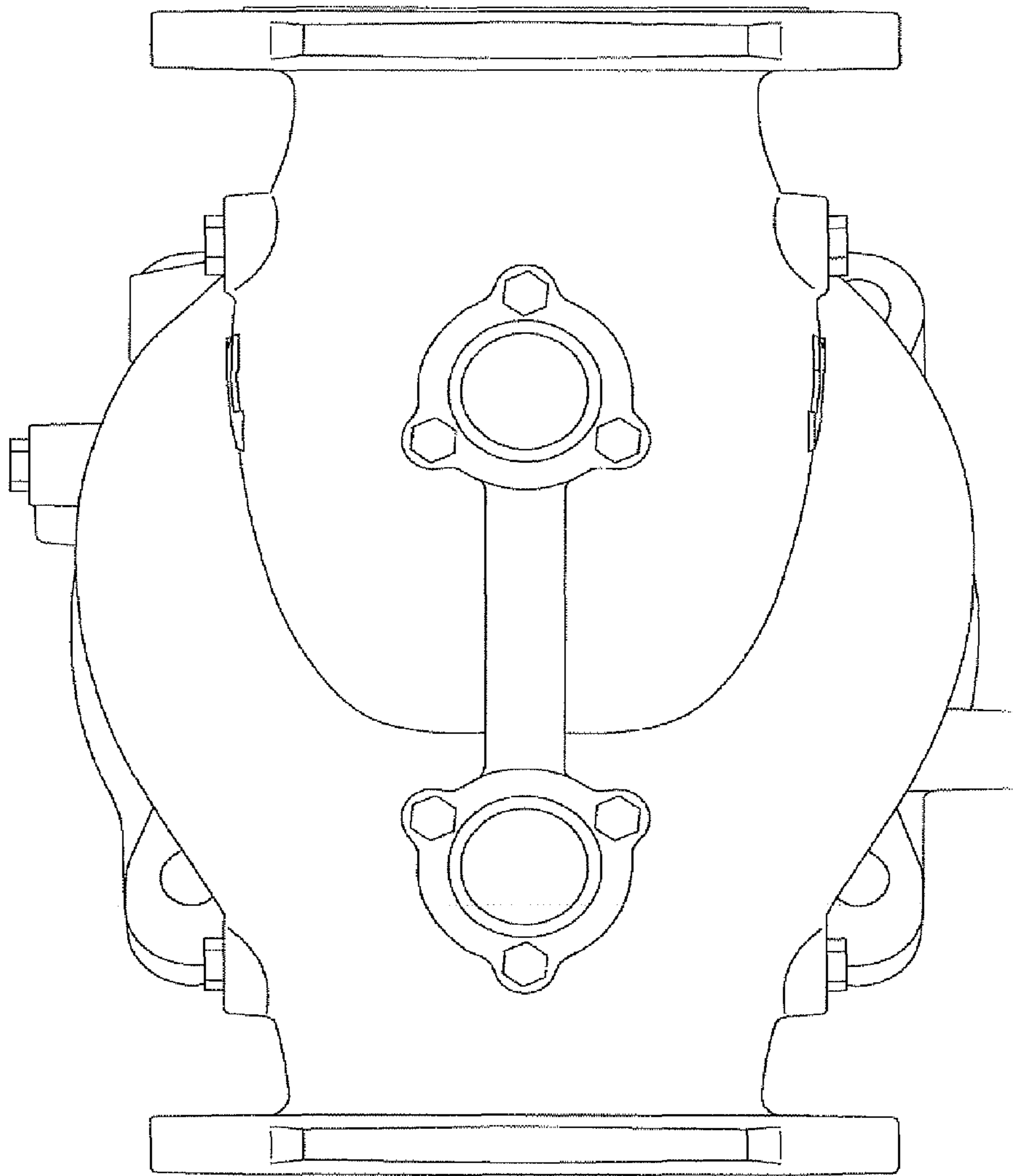


FIG 6

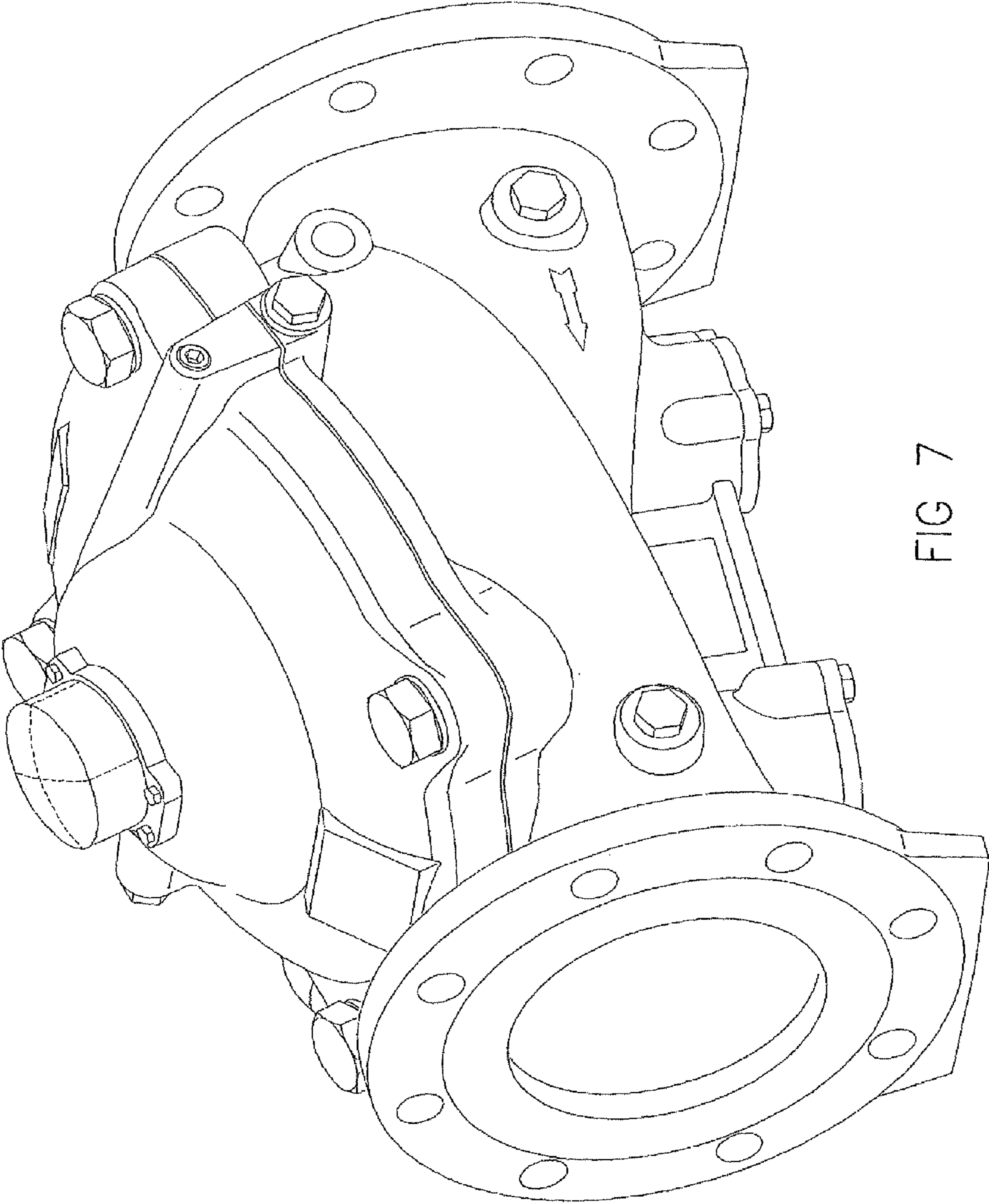


FIG 7