

US00D660402S

(12) **United States Design Patent**
Flowers et al.

(10) **Patent No.:** **US D660,402 S**

(45) **Date of Patent:** **** May 22, 2012**

(54) **HAND SHOWER**

(75) Inventors: **Paul Flowers**, Duesseldorf (DE);
Kirstin Bengard, Mettmann (DE)

(73) Assignee: **Grohe AG**, Hemer (DE)

(**) Term: **14 Years**

(21) Appl. No.: **29/398,813**

(22) Filed: **Aug. 4, 2011**

(30) **Foreign Application Priority Data**

Feb. 7, 2011 (EM) 001817610-0003

(51) **LOC (9) Cl.** **23-01**

(52) **U.S. Cl.** **D23/223**

(58) **Field of Classification Search** D23/213,
D23/223, 229, 230; 239/462, 394; 4/615
See application file for complete search history.

(56) **References Cited**

U.S. PATENT DOCUMENTS

D581,485 S * 11/2008 Kollmann et al. D23/223

D592,276 S * 5/2009 Schoenherr et al. D23/223
* cited by examiner

Primary Examiner — Robin V Webster

(74) *Attorney, Agent, or Firm* — Muncy, Geissler, Olds &
Lowe, PLLC

(57) **CLAIM**

The ornamental design for a hand shower, as shown and described.

DESCRIPTION

FIG. 1 is a left side elevational view of a hand shower according to the invention.

FIG. 2 is a right side elevational view of the hand shower of FIG. 1.

FIG. 3 is a front elevational view of the hand shower of FIG. 1.

FIG. 4 is a rear elevational view of the hand shower of FIG. 1.

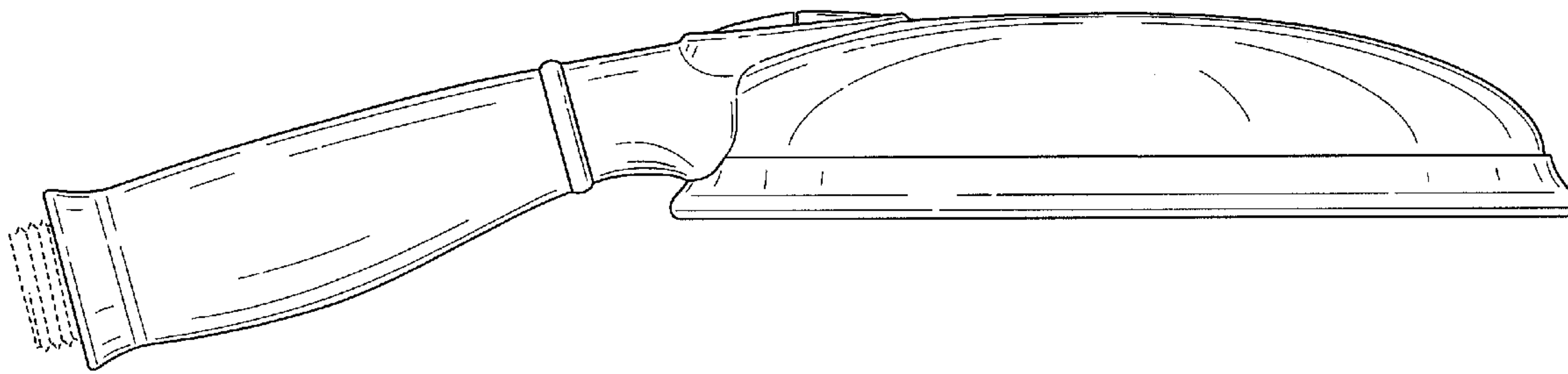
FIG. 5 is a top plan view of the hand shower of FIG. 1.

FIG. 6 is a bottom plan view of the hand shower of FIG. 1; and,

FIG. 7 is a perspective view of the hand shower of FIG. 1.

The dashed lines illustrate environment that does not form a part of the present invention, and no claim is made to the material illustrated with dashed lines.

1 Claim, 6 Drawing Sheets



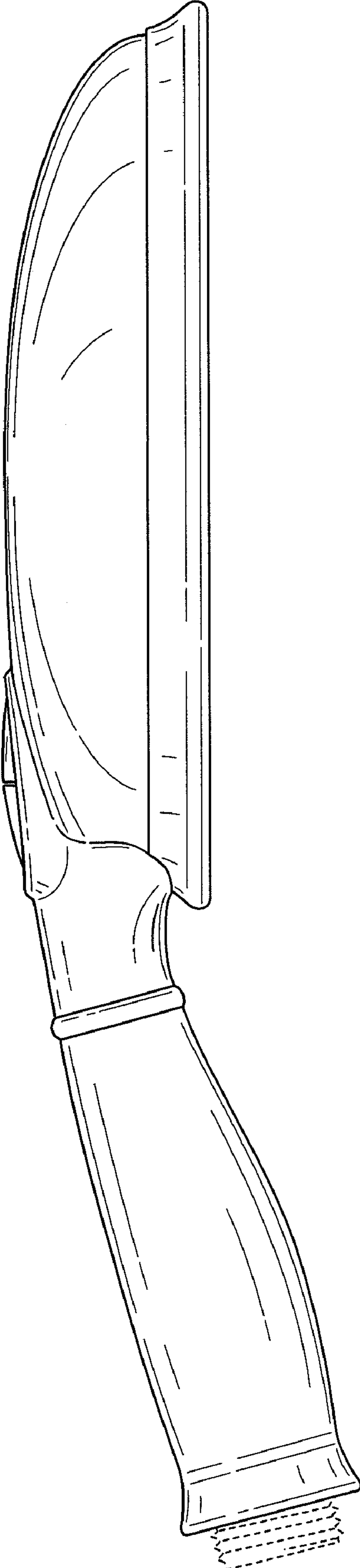


FIG. 1

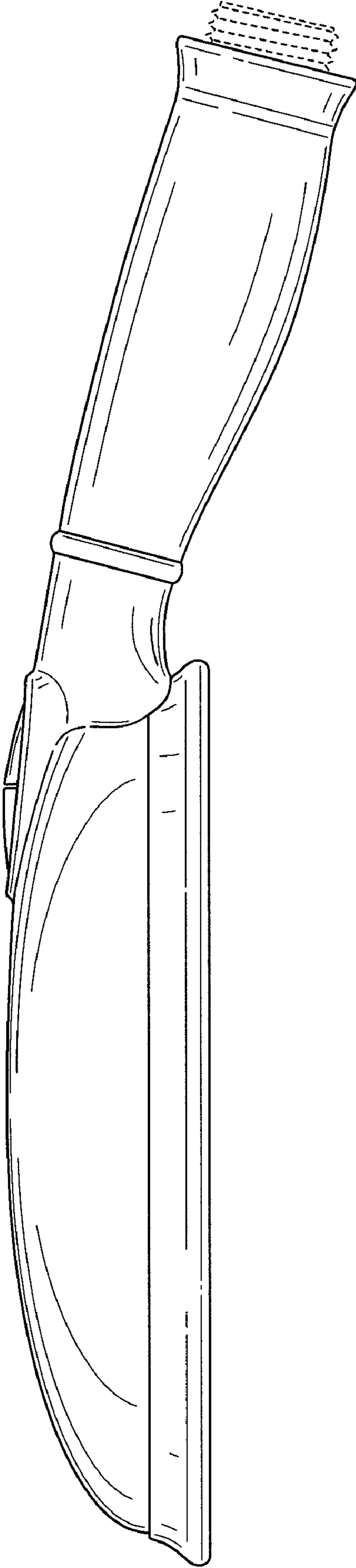


FIG. 2

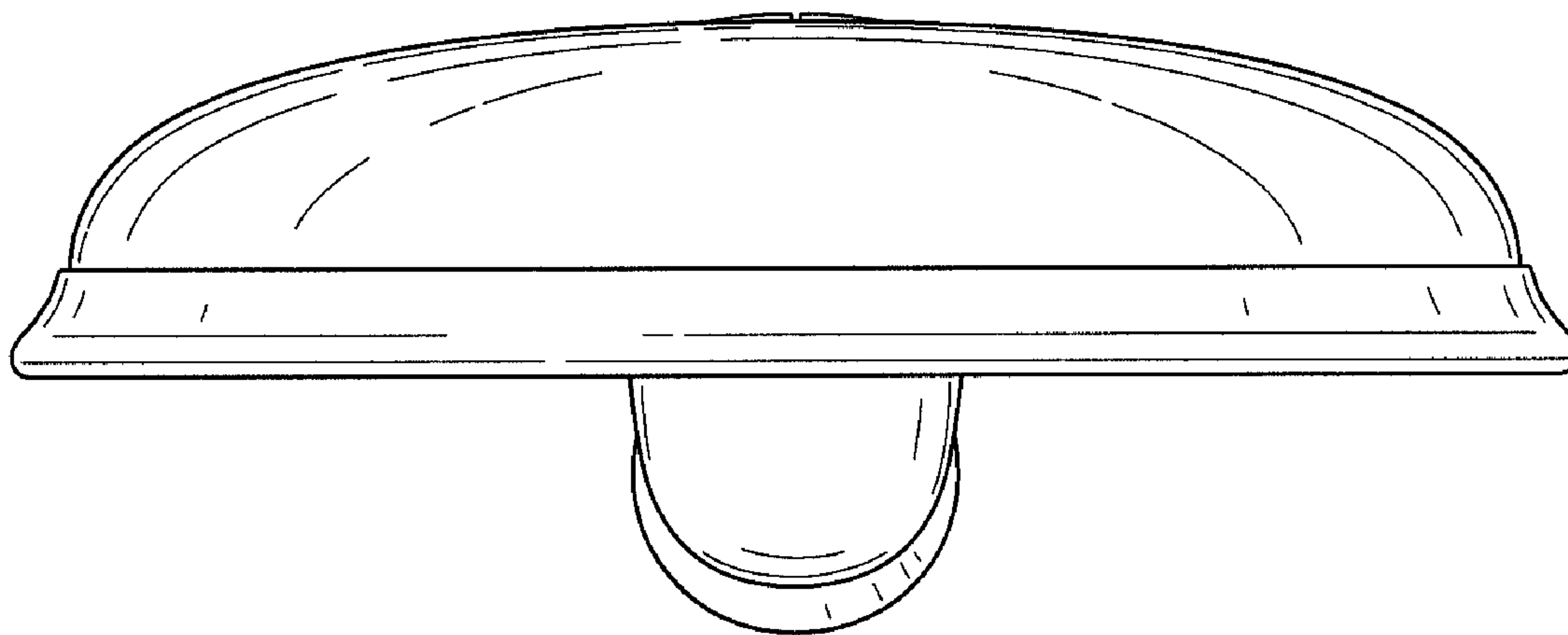


FIG. 3

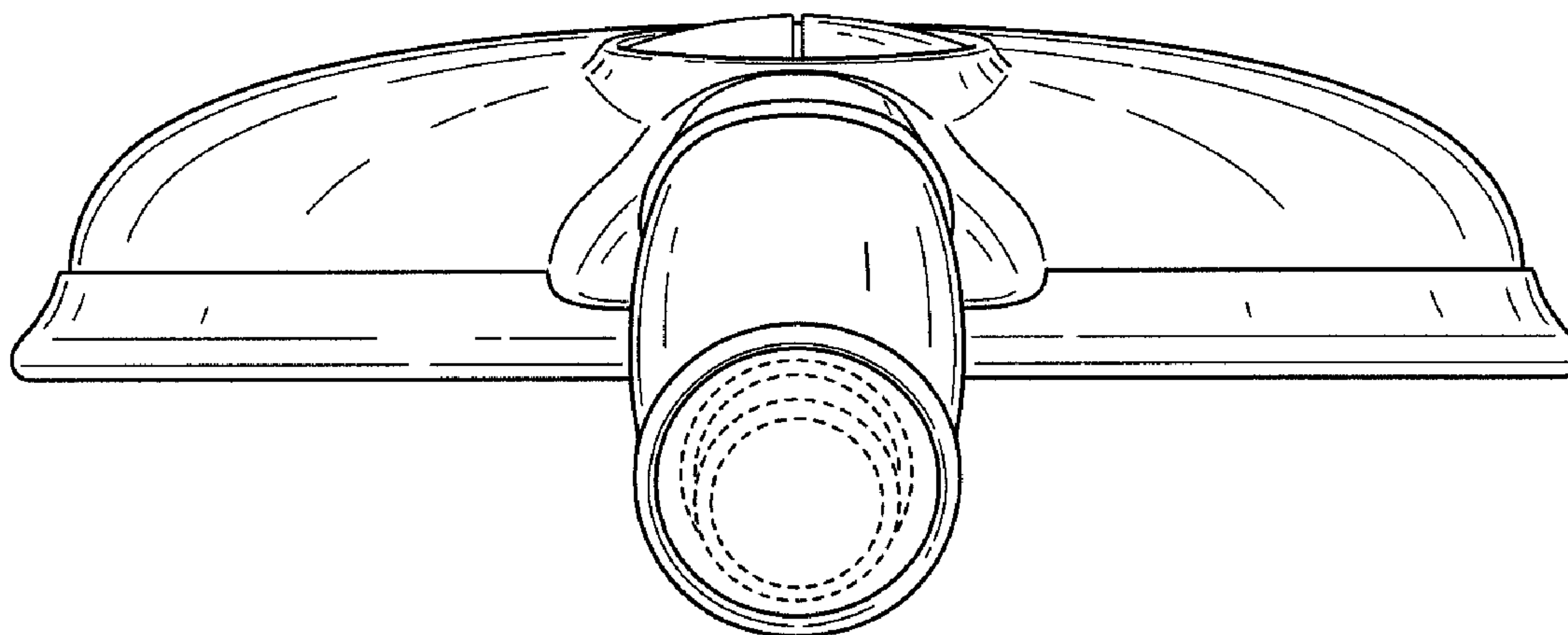


FIG. 4



FIG. 5

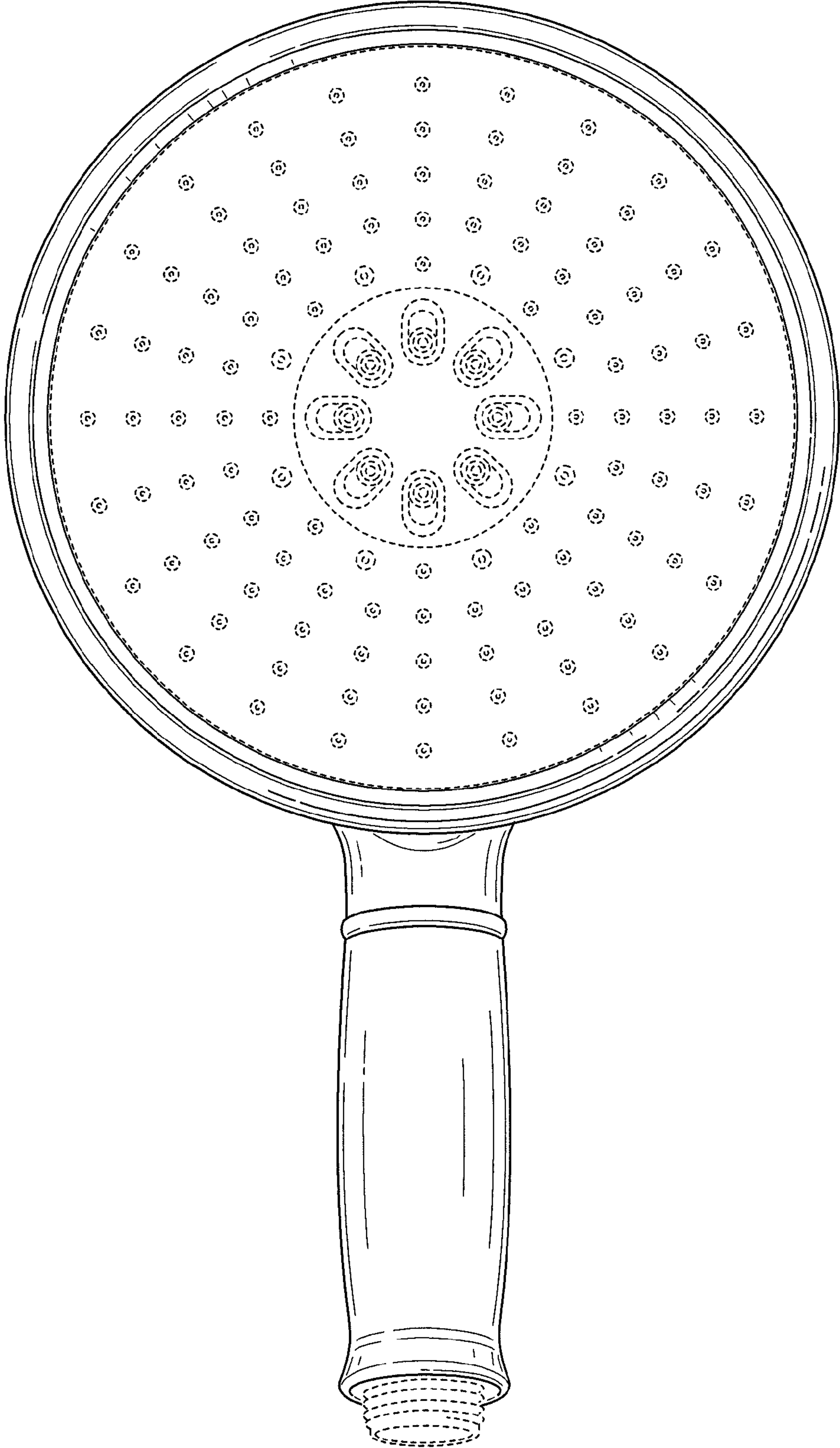


FIG. 6

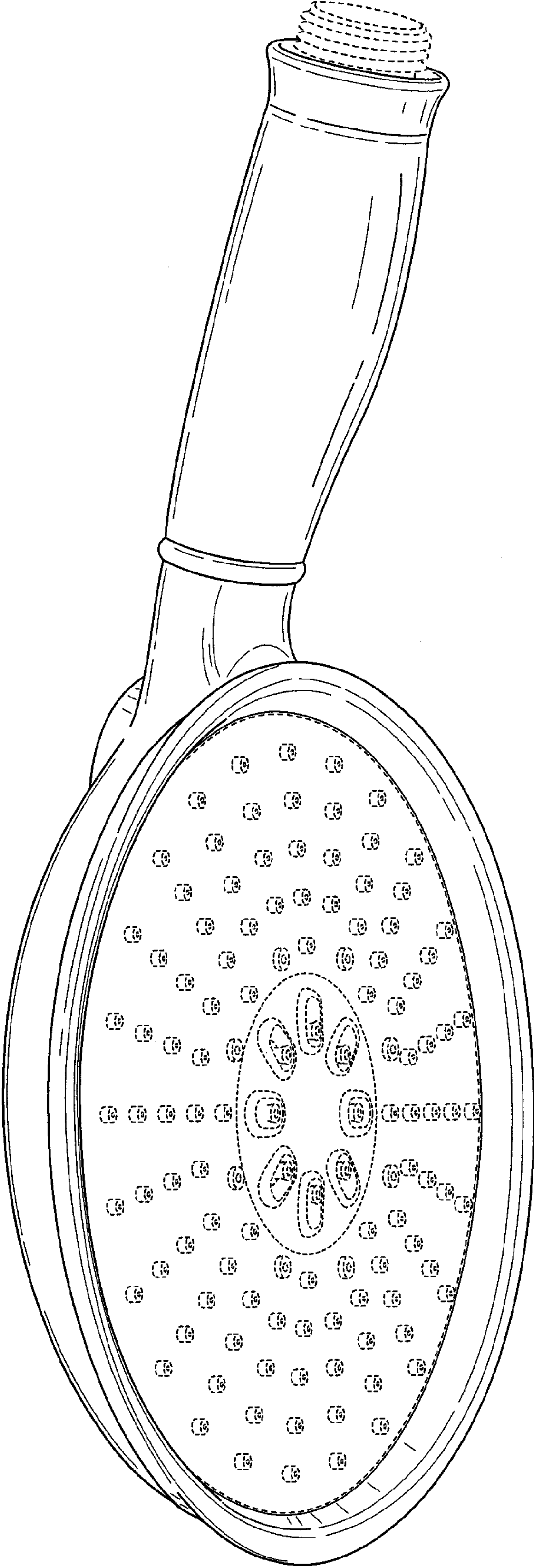


FIG. 7