

US00D660401S

(12) **United States Design Patent**  
**Dolan**

(10) **Patent No.:** **US D660,401 S**

(45) **Date of Patent:** **\*\* May 22, 2012**

(54) **TURF COVER**

D516,670 S \* 3/2006 Aselton ..... D23/214  
D604,804 S \* 11/2009 VanEerden et al. .... D23/214

(76) Inventor: **Craig Dolan**, Corona, CA (US)

\* cited by examiner

(\*\*) Term: **14 Years**

*Primary Examiner* — Robin V Webster

(21) Appl. No.: **29/388,117**

(74) *Attorney, Agent, or Firm* — Hani Z. Sayed; Rutan & Tucker, LLP

(22) Filed: **Mar. 24, 2011**

(57) **CLAIM**

The ornamental design for turf cover, as shown and described.

(51) **LOC (9) Cl.** ..... **23-01**

(52) **U.S. Cl.** ..... **D23/214**

(58) **Field of Classification Search** ..... D23/213,  
D23/214; 239/273, 276, 288, 288.3, 288.5

See application file for complete search history.

**DESCRIPTION**

FIG. 1 is a top, front, right side perspective view in an exemplary embodiment of the present invention;

FIG. 2 is a front elevation view in an exemplary embodiment of the present invention;

FIG. 3 is a top plane view in an exemplary embodiment of the present invention; and,

FIG. 4 is a bottom plane view in an exemplary embodiment of the present invention.

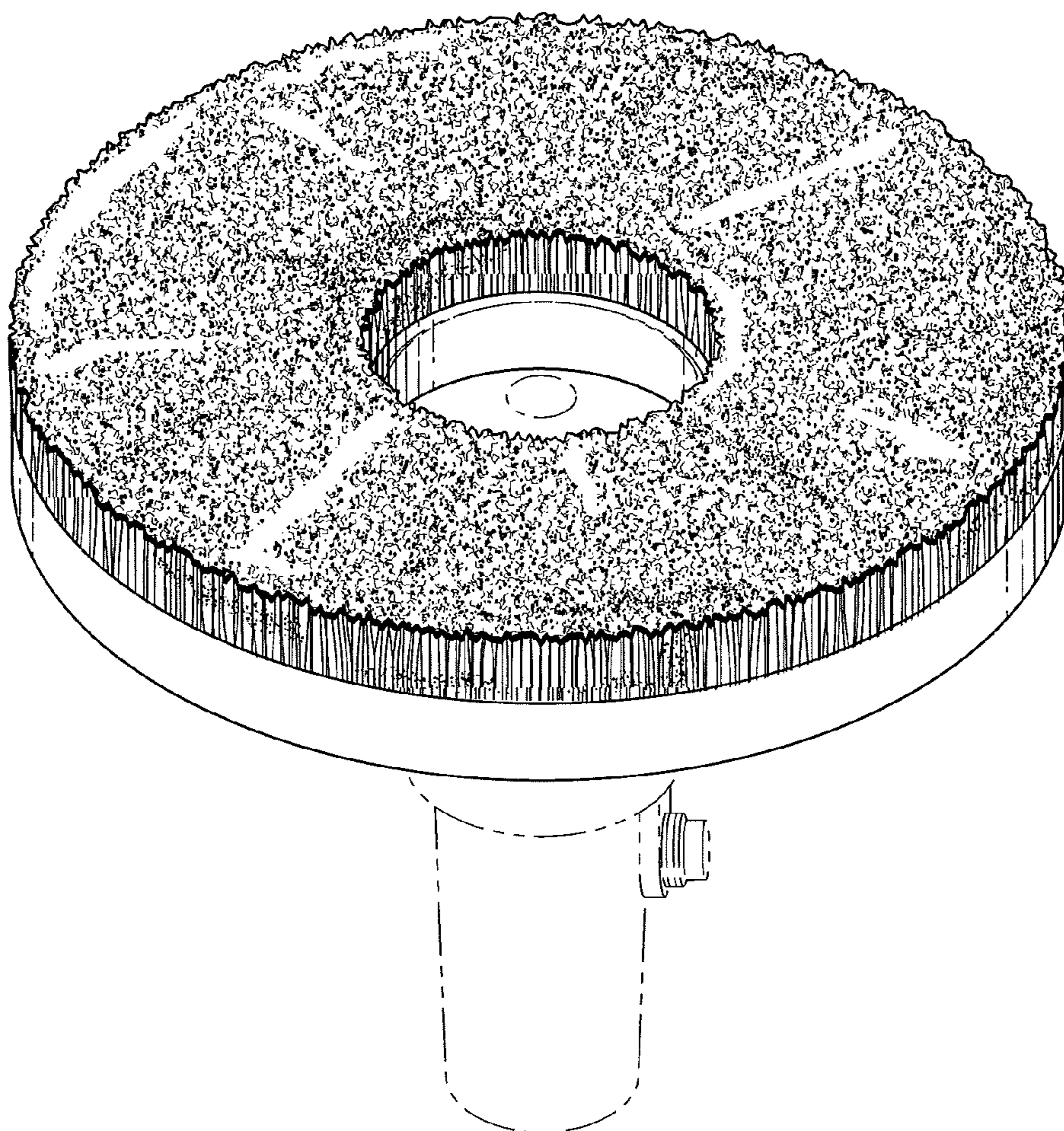
The broken line showing in FIG. 1 is included for the purpose of illustrating and forms no part of the claimed design.

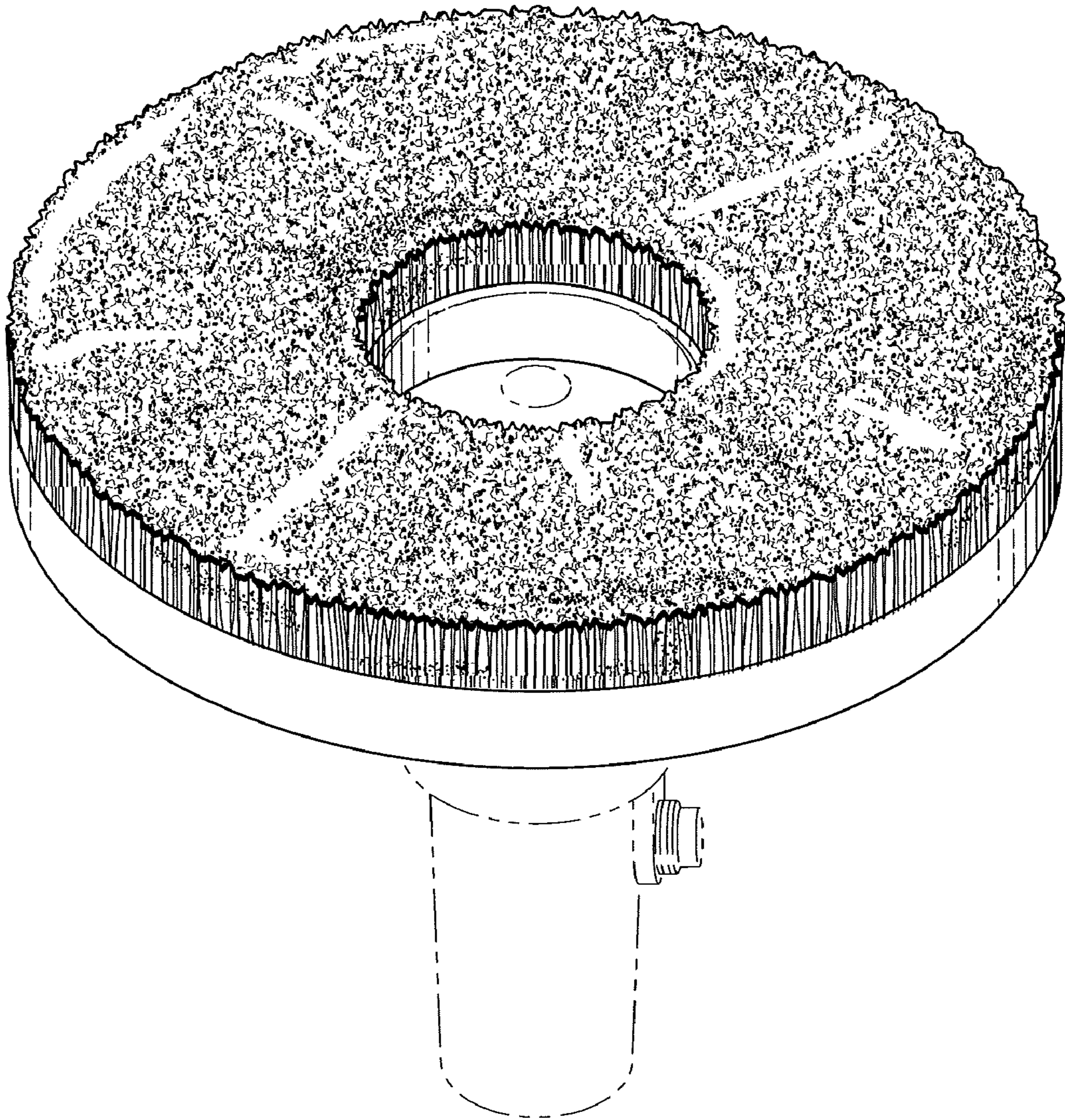
(56) **References Cited**

U.S. PATENT DOCUMENTS

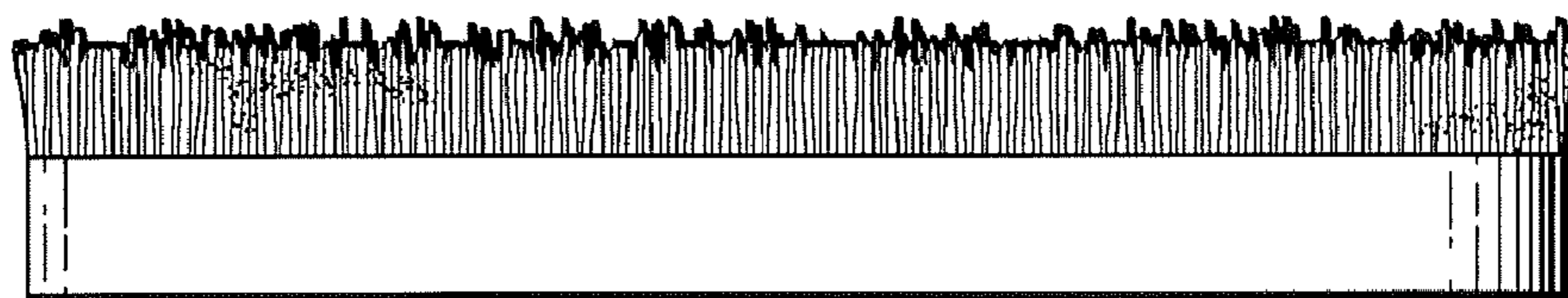
D236,469	S	*	8/1975	Sbicca	.....	D23/214
D299,156	S	*	12/1988	Heren	.....	D23/214
D319,489	S	*	8/1991	Han et al.	.....	D23/214
5,211,338	A	*	5/1993	Leite et al.	.....	239/276
D347,259	S	*	5/1994	Fewell et al.	.....	D23/214
D366,096	S	*	1/1996	Mulleins	.....	D23/213

**1 Claim, 2 Drawing Sheets**

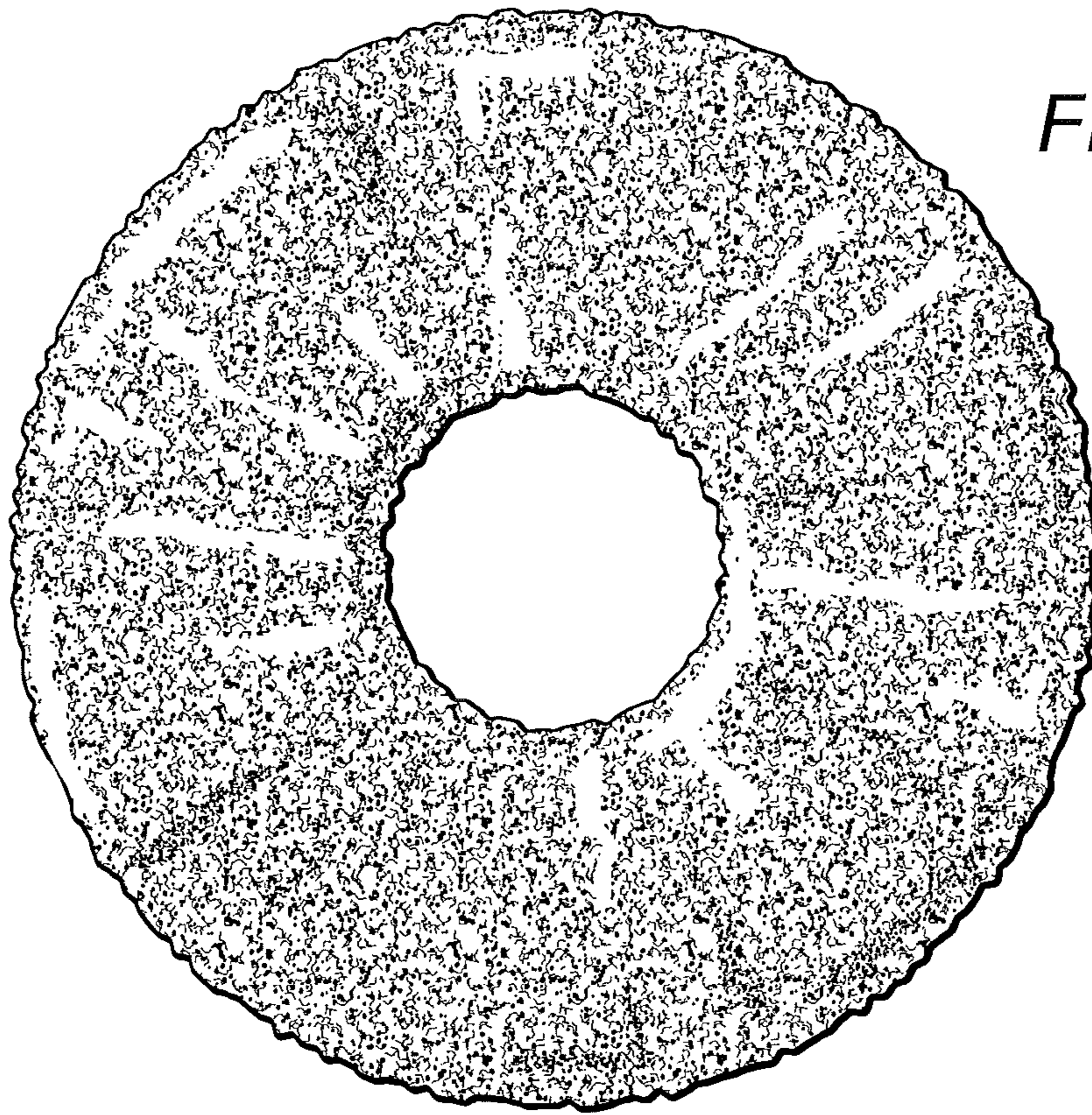




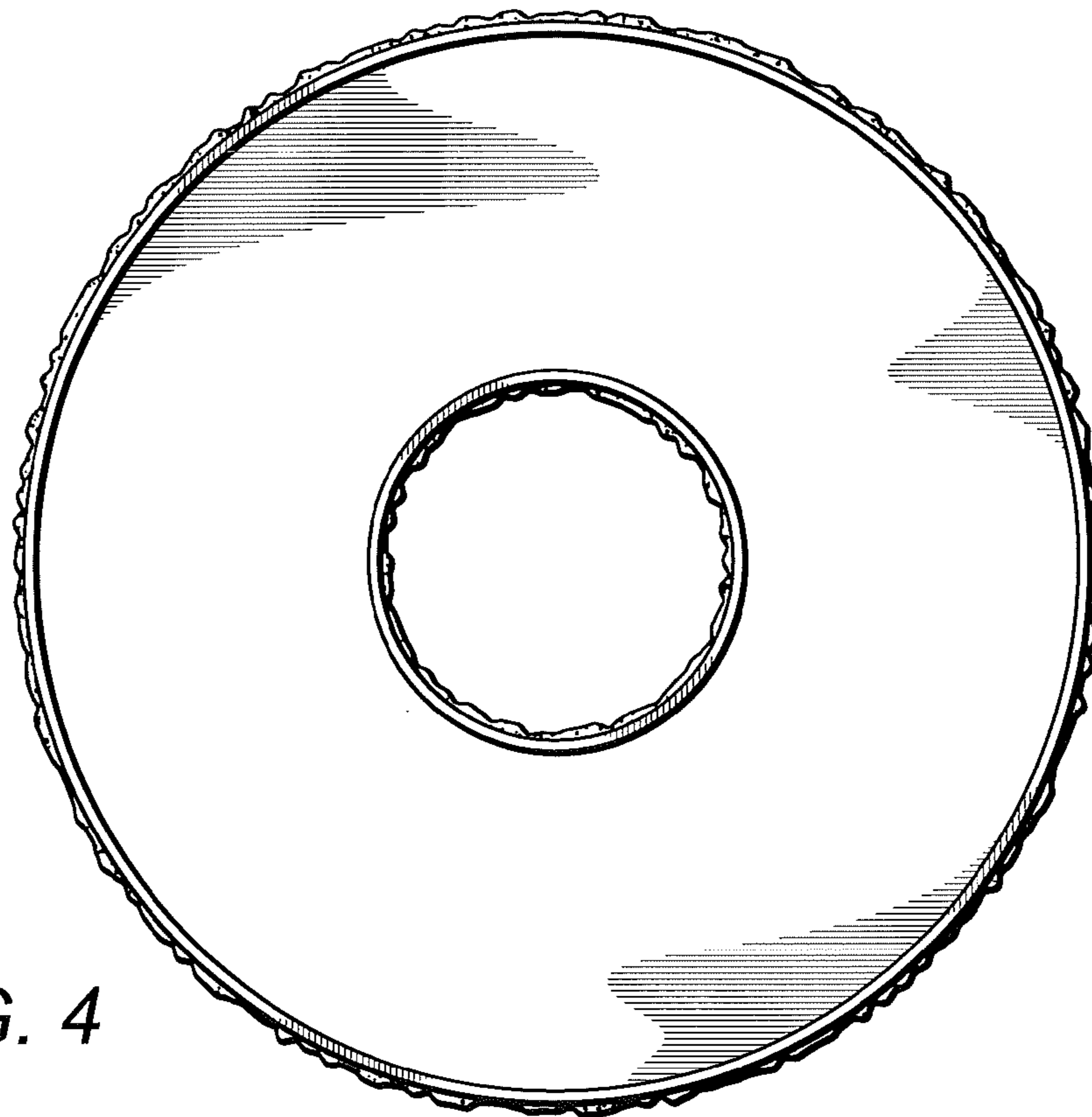
*FIG. 1*



*FIG. 2*



*FIG. 3*



*FIG. 4*