

US00D660399S

(12) **United States Design Patent**
Bennis

(10) **Patent No.:** **US D660,399 S**

(45) **Date of Patent:** **** May 22, 2012**

(54) **FISHING JUG FLOAT WITH VISIBILITY
MARKER HOLDERS**

6,092,325 A * 7/2000 Walker 43/43.11
D435,286 S * 12/2000 Player D22/146
D581,998 S * 12/2008 Boney D22/146

(76) Inventor: **Gary Bennis**, Eau Claire, WI (US)

* cited by examiner

(**) Term: **14 Years**

Primary Examiner — Catheri Oliver

(21) Appl. No.: **29/388,580**

(74) *Attorney, Agent, or Firm* — McNeely, Hare & War LLP;
William D. Hare, Esq.; Simana B. Rao, Esq.

(22) Filed: **Mar. 30, 2011**

(57) **CLAIM**

(51) **LOC (9) Cl.** **22-05**

The ornamental design for a fishing jug float with visibility
marker holders, as shown and described.

(52) **U.S. Cl.** **D22/146**

(58) **Field of Classification Search** D22/144–146,
D22/126–134; 43/41.2, 4.5, 43.14, 44.91,
43/42.35, 42.39, 42.45, 44.87, 43.11

DESCRIPTION

See application file for complete search history.

FIG. 1 is a perspective view of the fishing jug float with
visibility marker holders showing the new design, the mark-
ers are shown in broken lines for illustrative purposes only
and form no part of the claimed design;

(56) **References Cited**

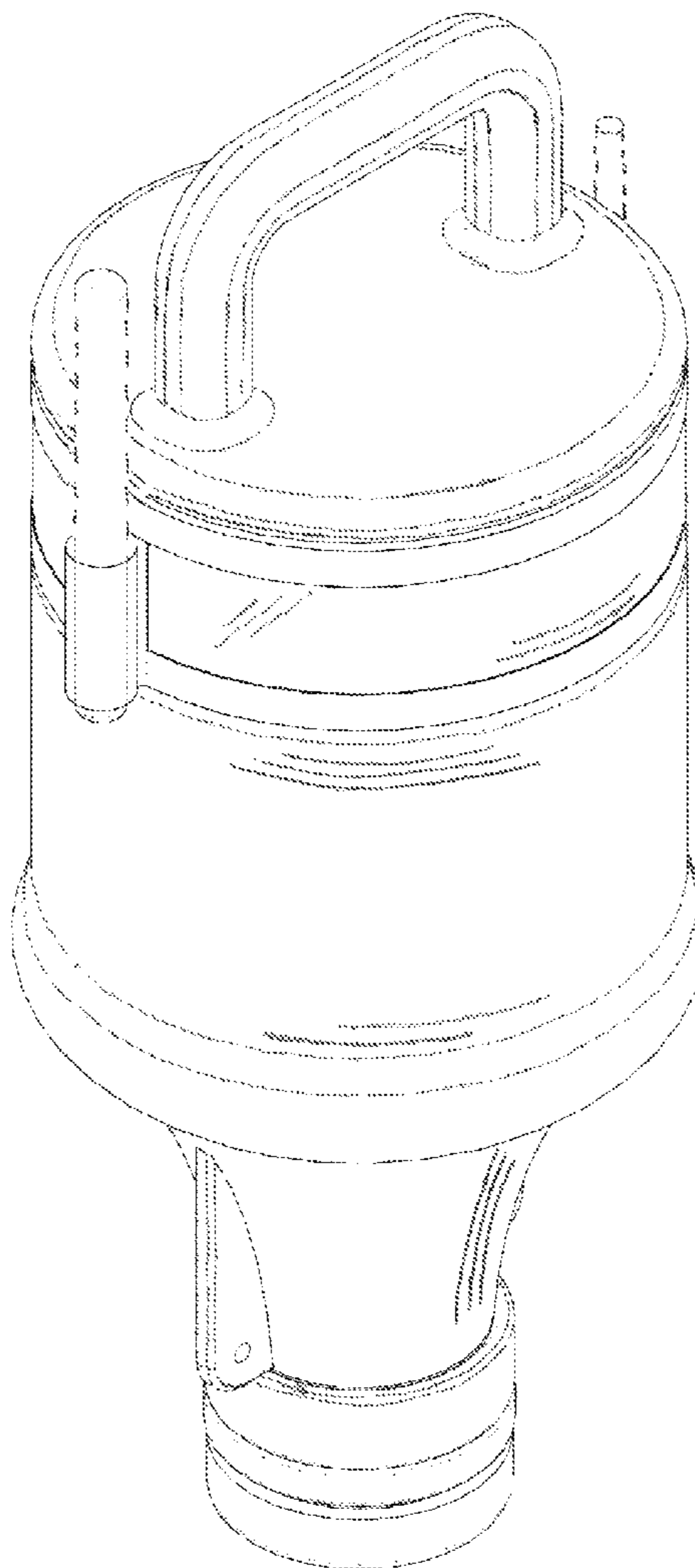
FIG. 2 is a front view thereof; and,

U.S. PATENT DOCUMENTS

FIG. 3 is a side view.

4,607,449 A * 8/1986 Brachear 43/43.11
D291,905 S * 9/1987 Brachear D22/146

1 Claim, 3 Drawing Sheets



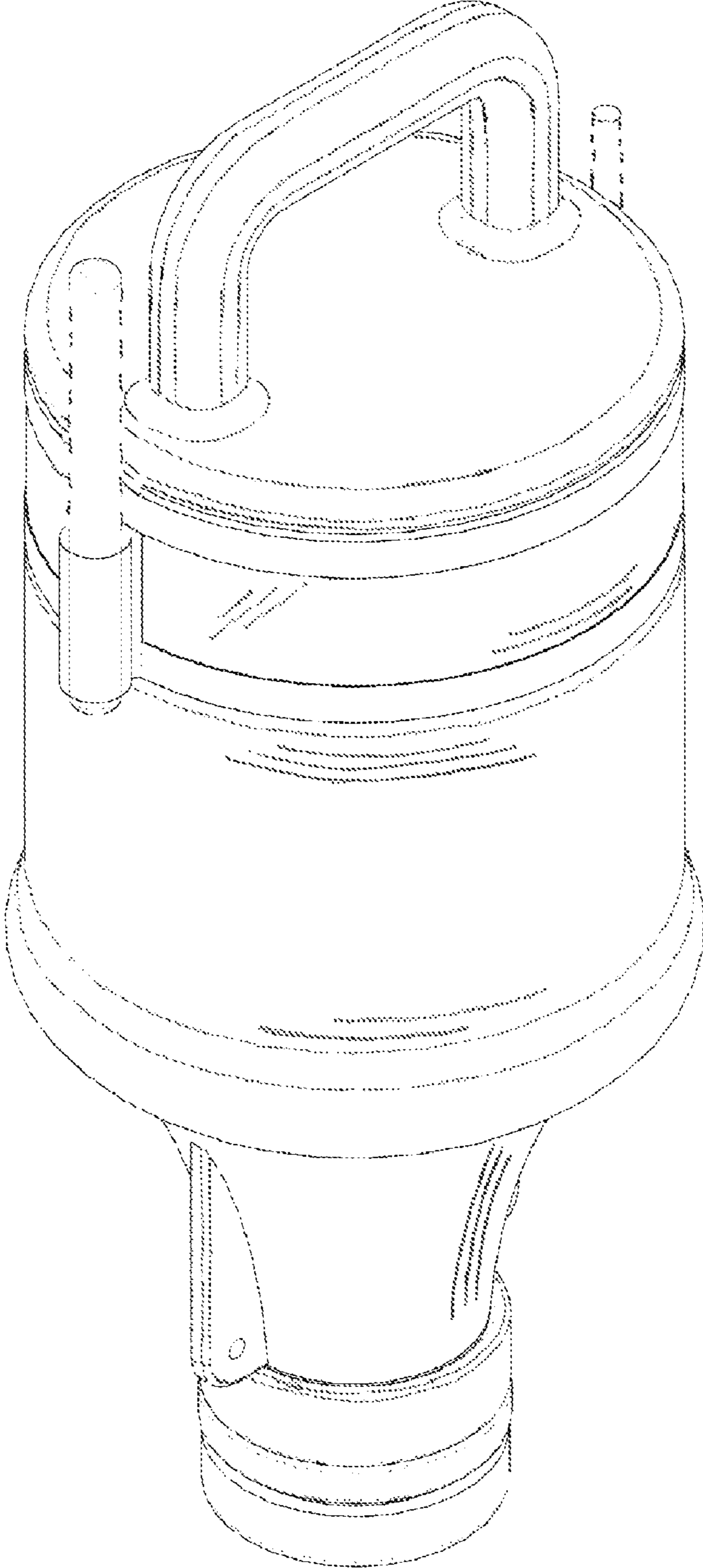


FIGURE 1

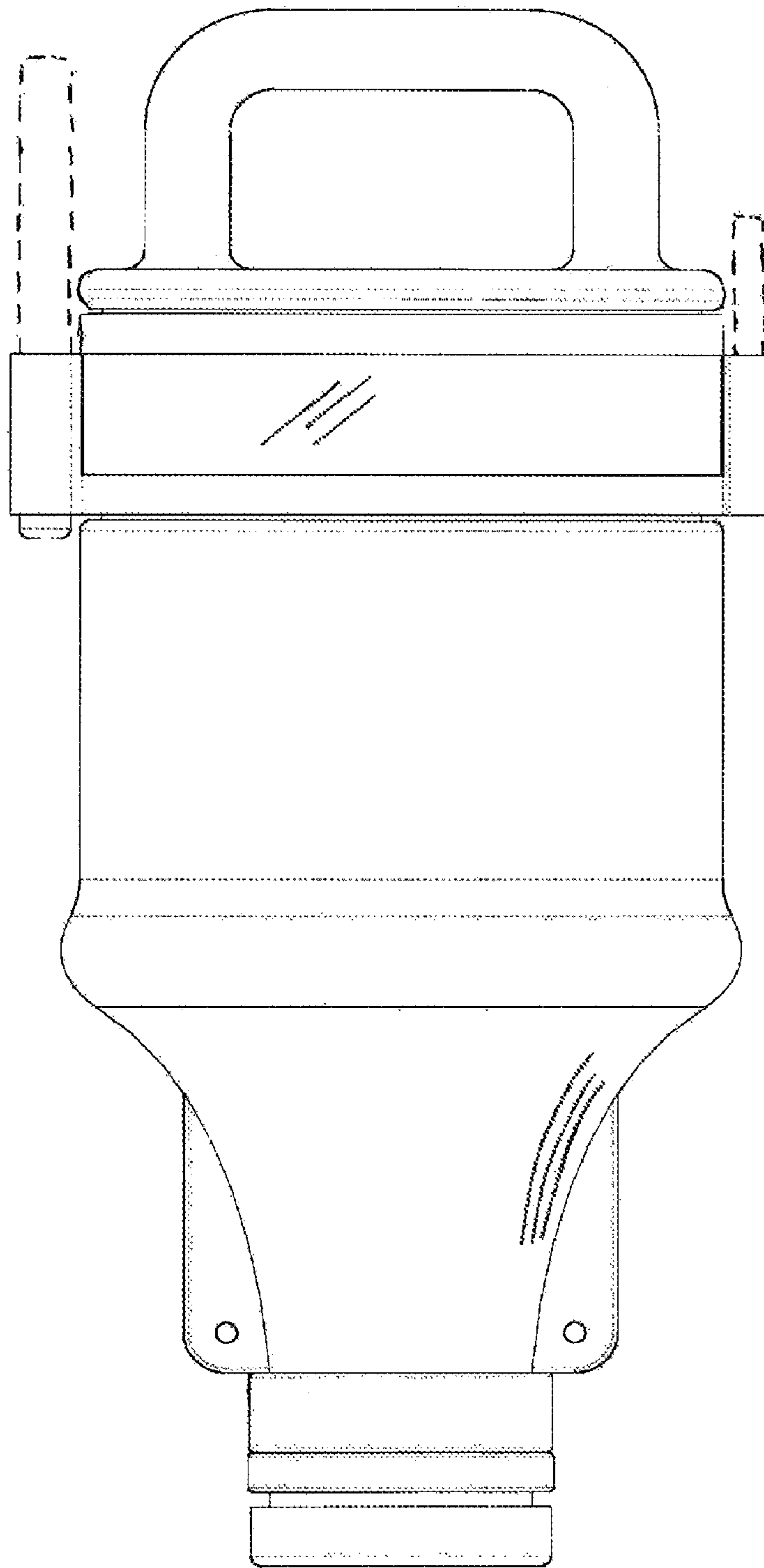


FIGURE 2

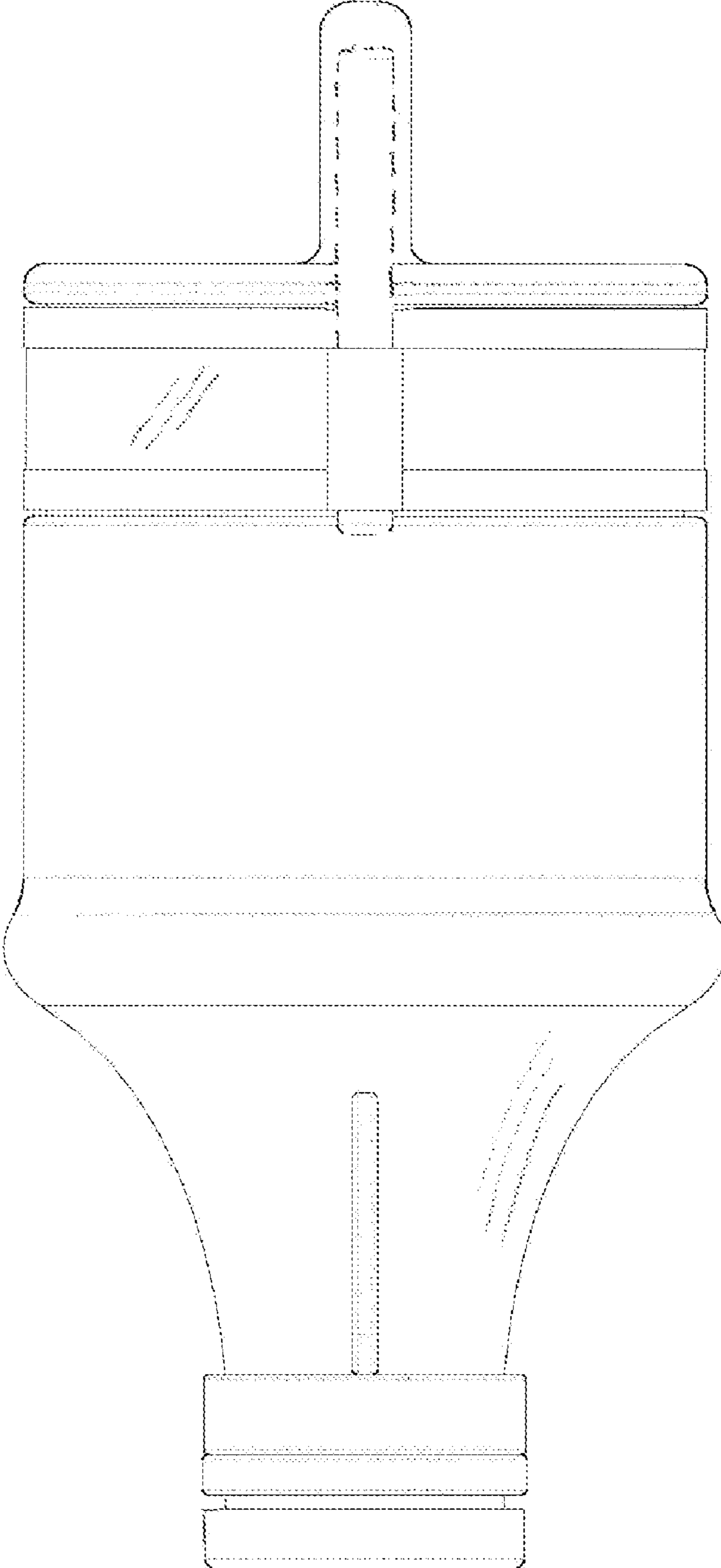


FIGURE 3