

US00D660397S

(12) **United States Design Patent**  
**King**

(10) **Patent No.:** **US D660,397 S**

(45) **Date of Patent:** **\*\* May 22, 2012**

(54) **SOFT FISHING LURE TAIL DESIGN**

(75) Inventor: **Bobby Duane King**, Elizabethon, TN  
(US)

(73) Assignee: **Black Dog Bait Co.**, Danville, CA (US)

(\*\*) Term: **14 Years**

(21) Appl. No.: **29/363,923**

(22) Filed: **Jun. 16, 2010**

(51) **LOC (9) Cl.** ..... **22-05**

(52) **U.S. Cl.** ..... **D22/133**

(58) **Field of Classification Search** ..... D22/126-133;  
43/42.47, 42.24, 42.45, 42.48, 42.37

See application file for complete search history.

(56) **References Cited**

U.S. PATENT DOCUMENTS

D217,453 S *	5/1970	Blaser .....	D22/133
D240,920 S *	8/1976	Smithwick .....	D22/126
D270,176 S *	8/1983	Williams, Jr. ....	D22/133
D299,263 S *	1/1989	James .....	D22/133
5,193,299 A *	3/1993	Correll et al. ....	43/42.47
D470,564 S *	2/2003	Schlueter .....	D22/131

\* cited by examiner

*Primary Examiner* — Catheri Oliver

(74) *Attorney, Agent, or Firm* — Richard T. Ogawa; Ogawa P.C.

(57) **CLAIM**

The ornamental design for soft fishing lure tail design, as shown and described.

**DESCRIPTION**

FIG. 1 is a perspective view of a soft fishing lure tail design showing a cylinder shaped tail member with two angled cutaway sides and a shaped connection member connecting the tail member from a side portion thereof to a cutaway portion of the rest part of the soft fishing lure, viewed from a first angle;

FIG. 2 is a perspective view of the soft fishing lure tail design shown in FIG. 1, viewed from a second angle;

FIG. 3 is a perspective view of the soft fishing lure tail design shown in FIG. 1, viewed from a third angle;

FIG. 4 is a perspective view of a second embodiment of the design showing a cylinder shaped tail member and a shaped connection member connecting the tail member from a side portion thereof to a cutaway portion of the rest of the lure, viewed from a first angle;

FIG. 5 is a perspective view of the soft fishing lure tail design shown in FIG. 4, viewed from a second angle;

FIG. 6 is a perspective view of the soft fishing lure tail design shown in FIG. 4, viewed from a third angle;

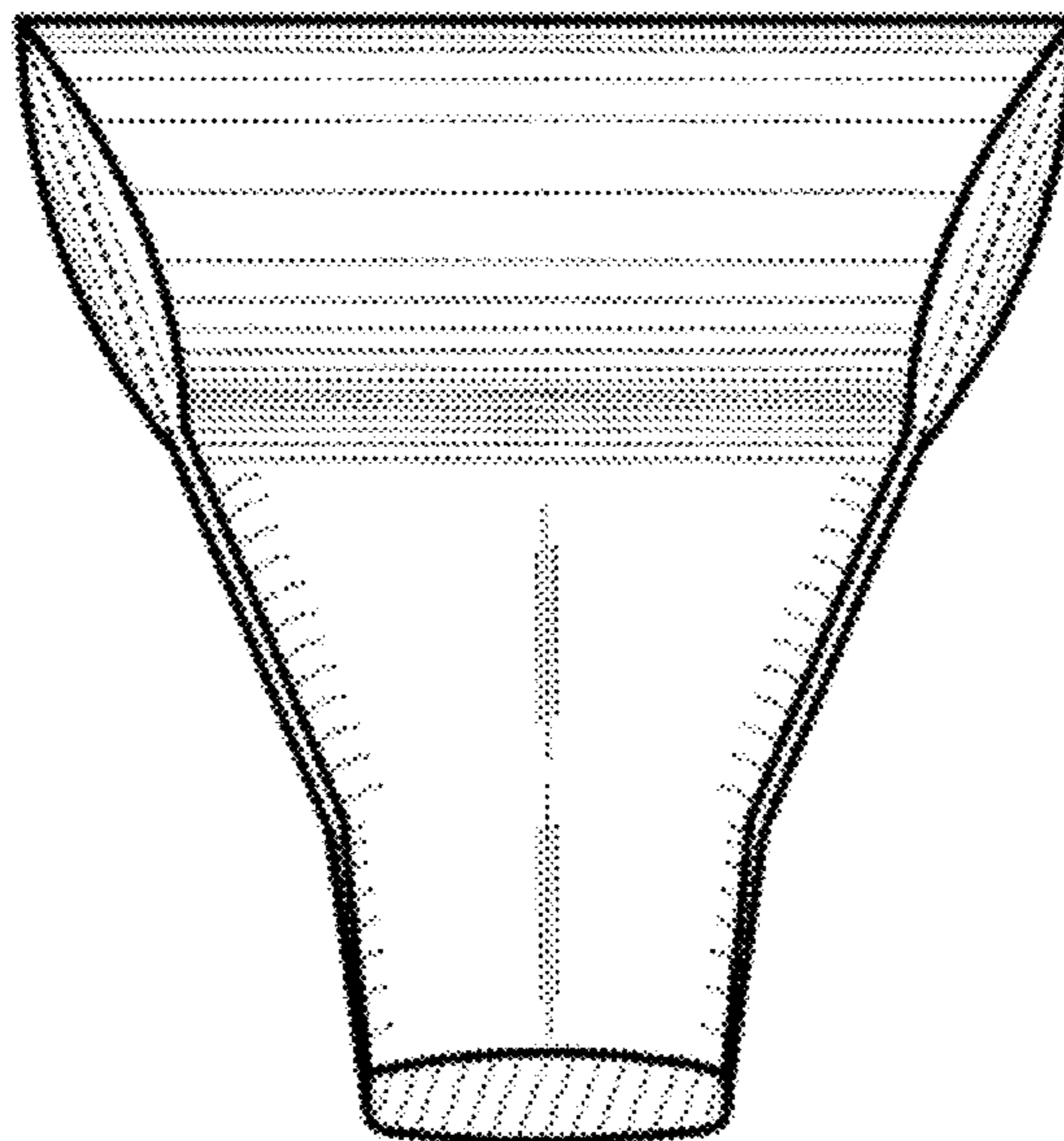
FIG. 7 is a perspective view of a third embodiment showing a cylinder shaped tail member and a cutaway portion of the rest of the lure being connected by an alternative shaped connection member at a side portion of the tail member, viewed from a first angle;

FIG. 8 is a perspective view of the soft fishing lure tail design shown in FIG. 7, viewed from a second angle; and,

FIG. 9 is a perspective view of the soft fishing lure tail design shown in FIG. 7, viewed from a third angle.

The broken lines are for environmental purposes only and do not form part of the claimed design.

**1 Claim, 9 Drawing Sheets**



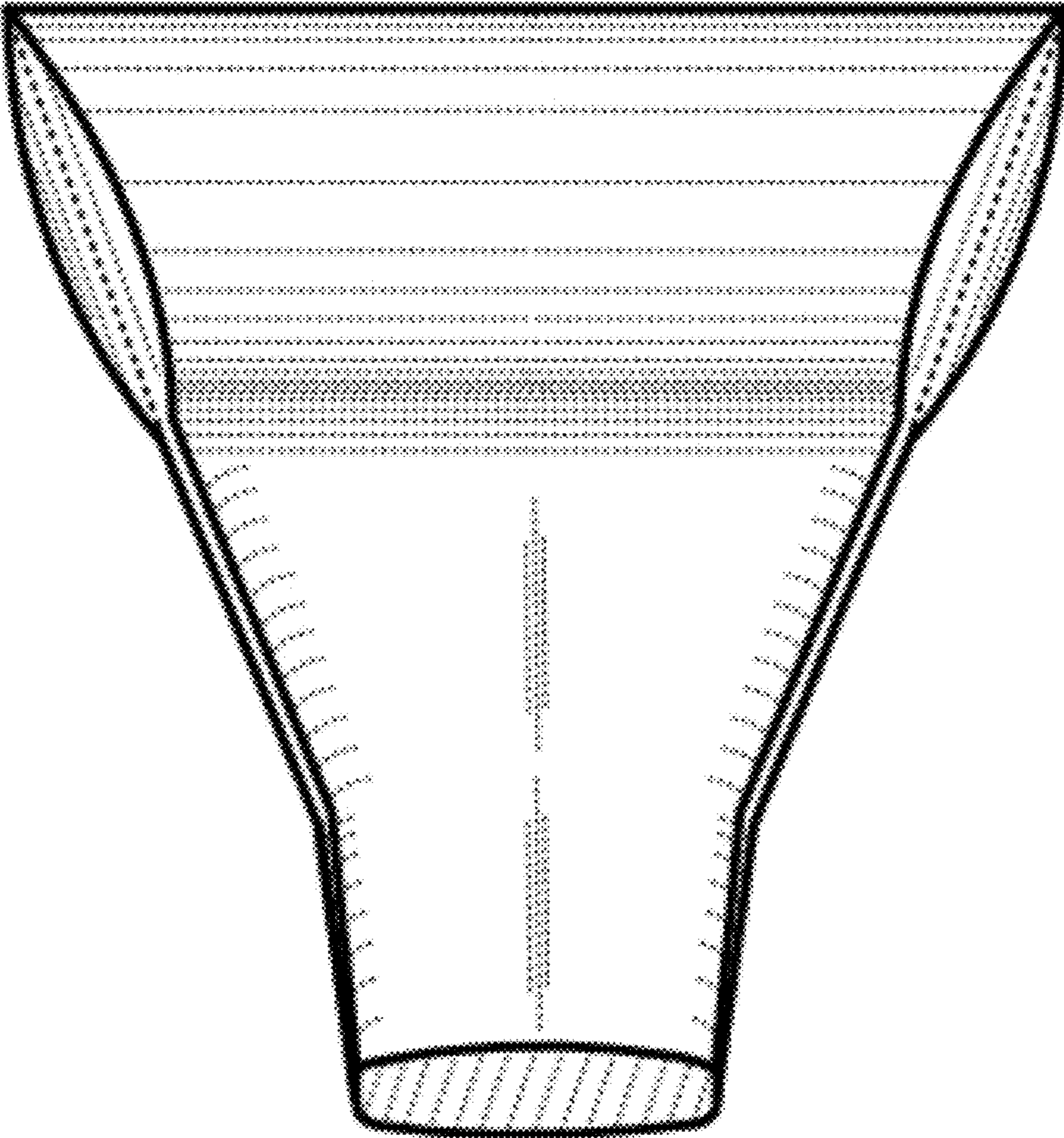


FIG. 1

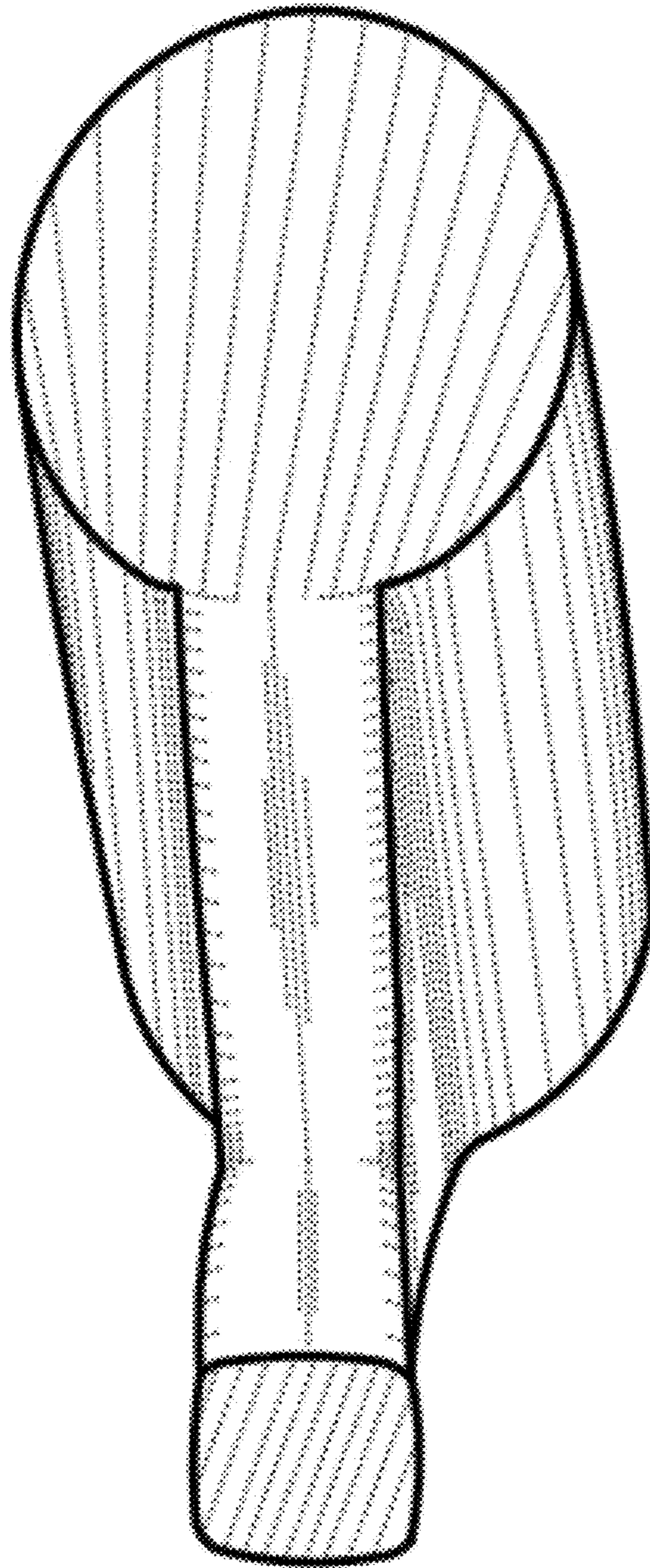


FIG. 2

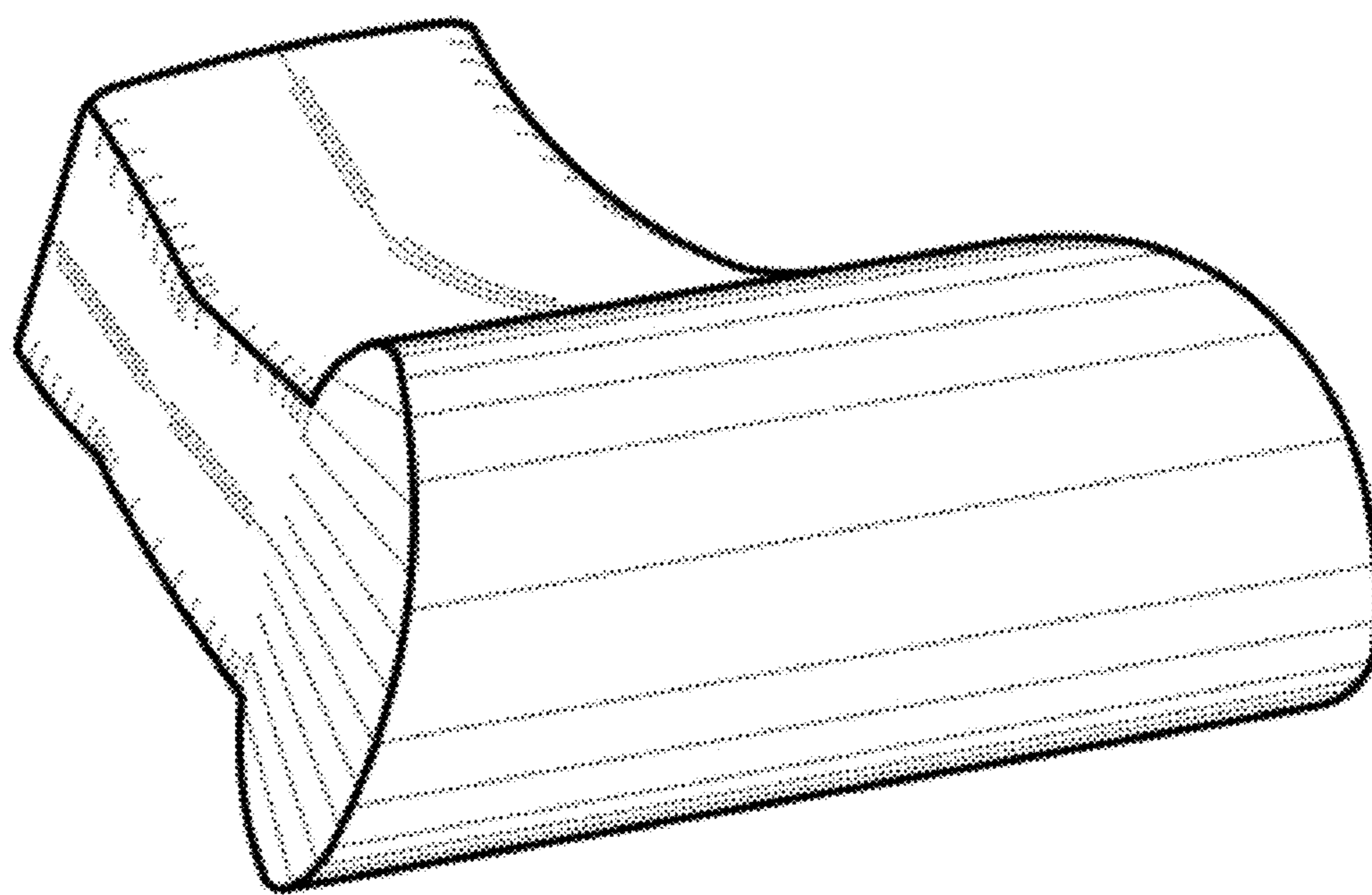


FIG. 3

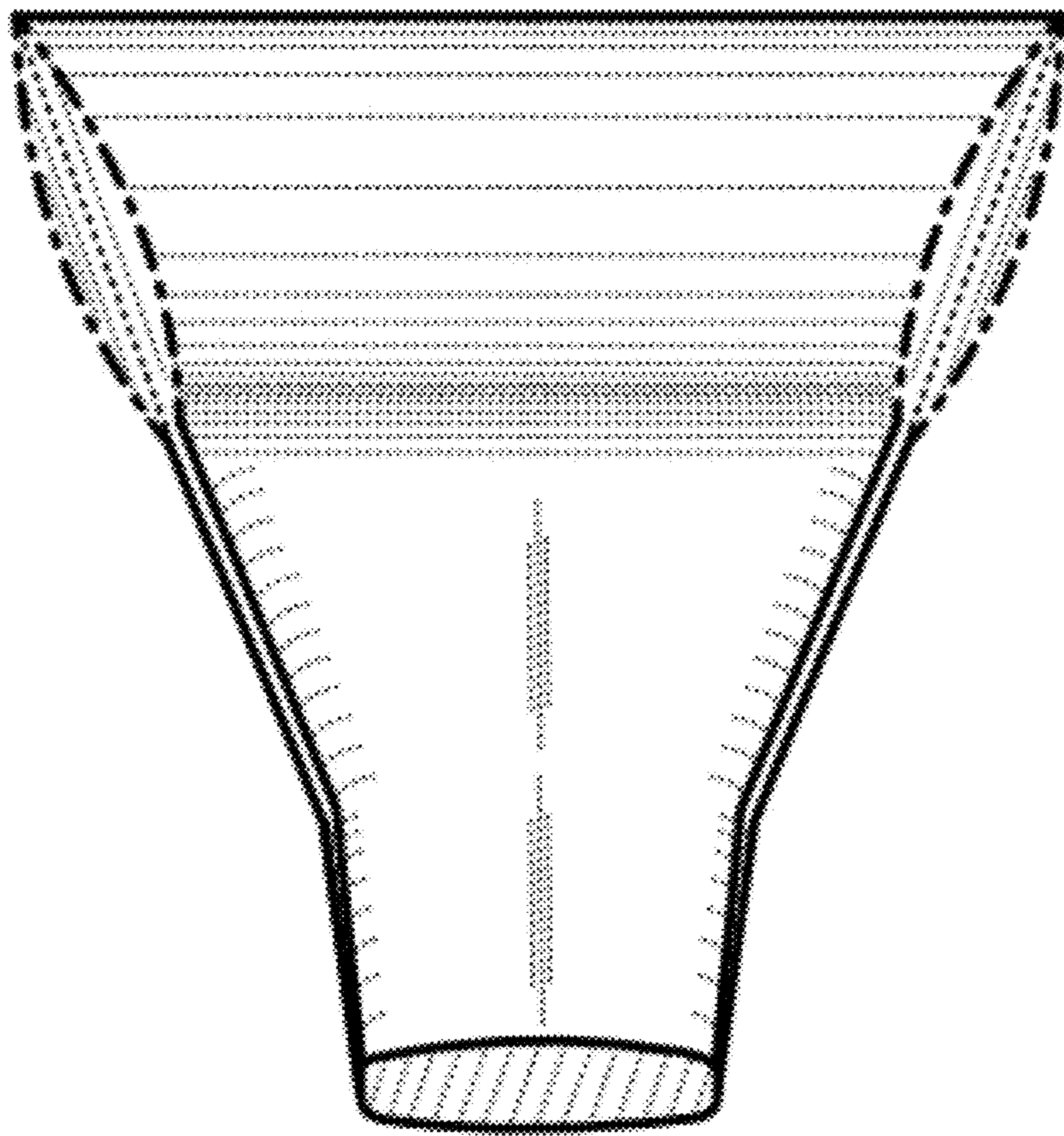


FIG. 4

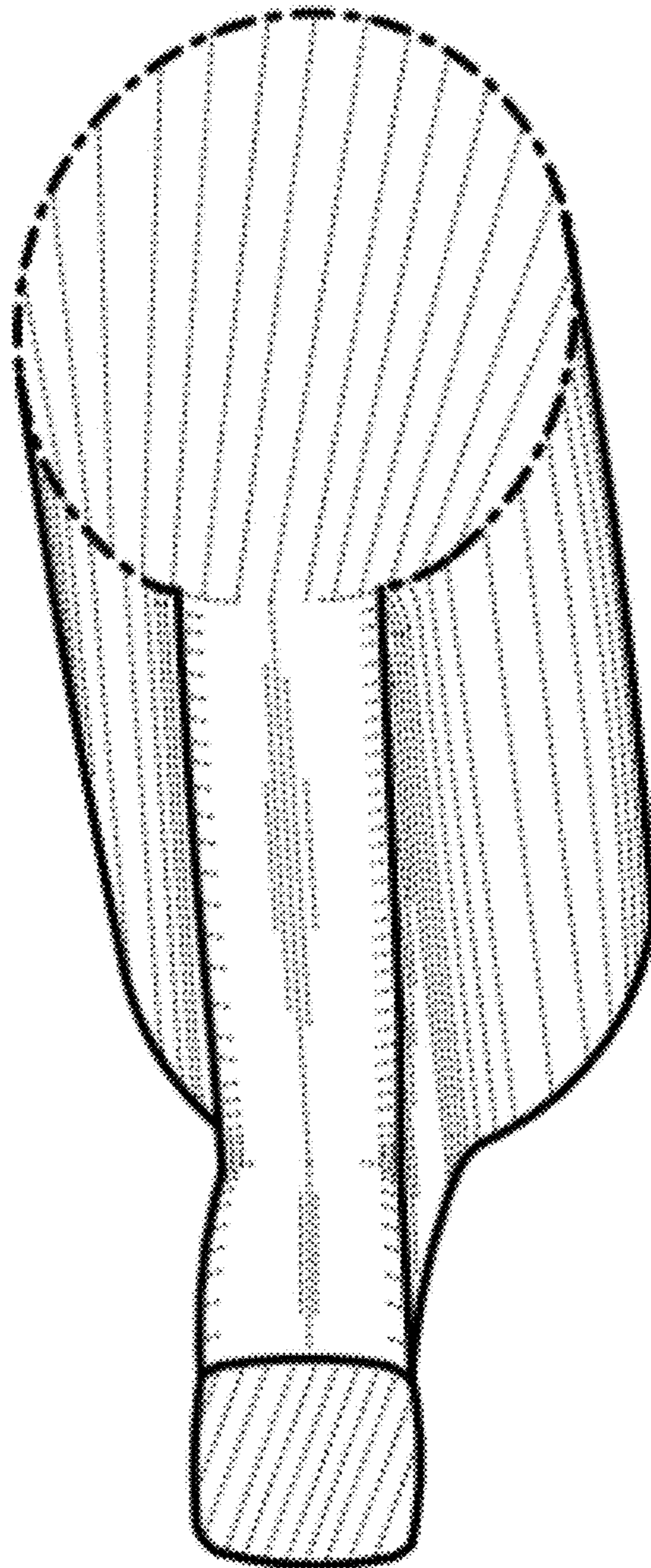


FIG. 5

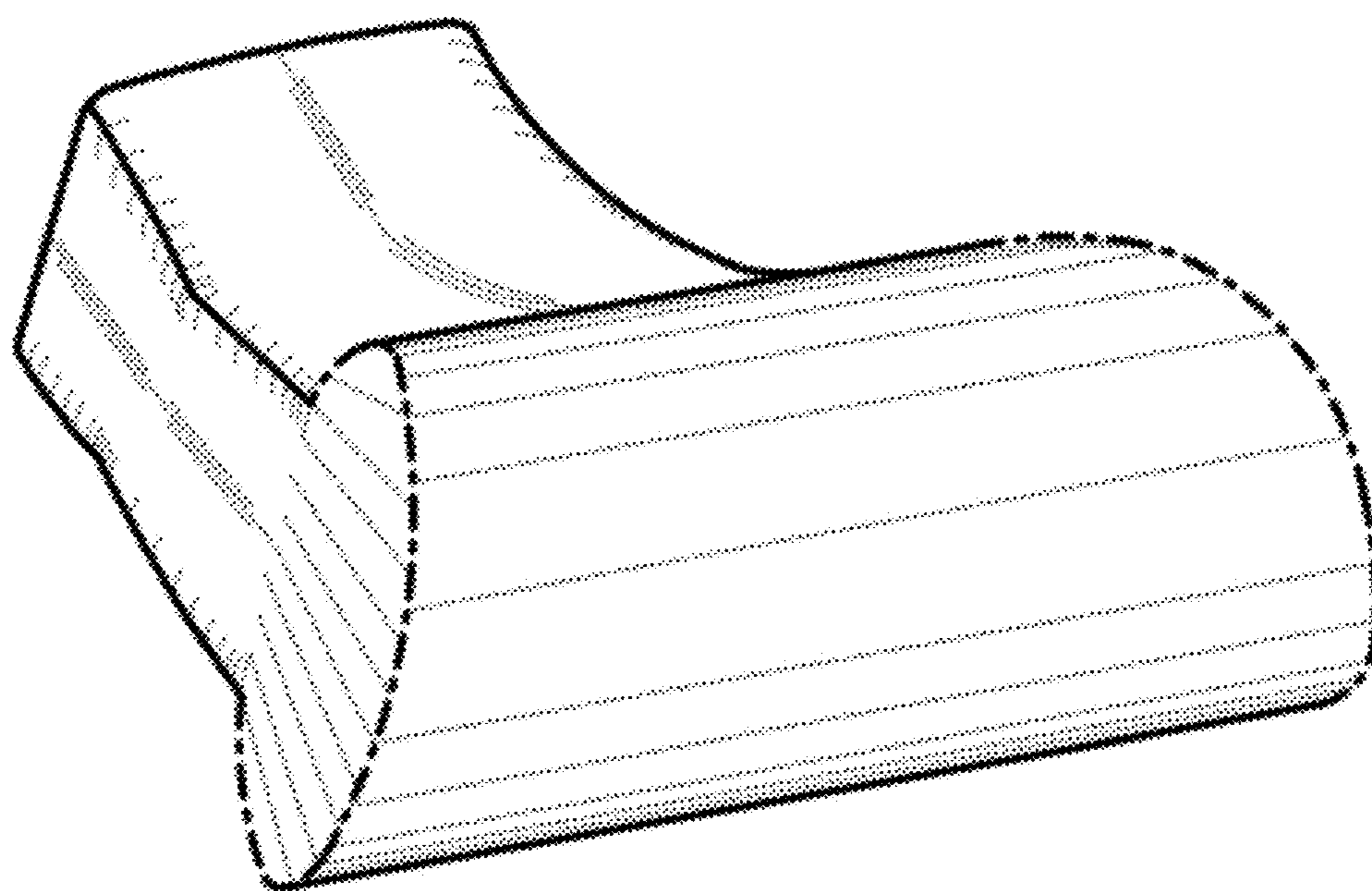


FIG. 6

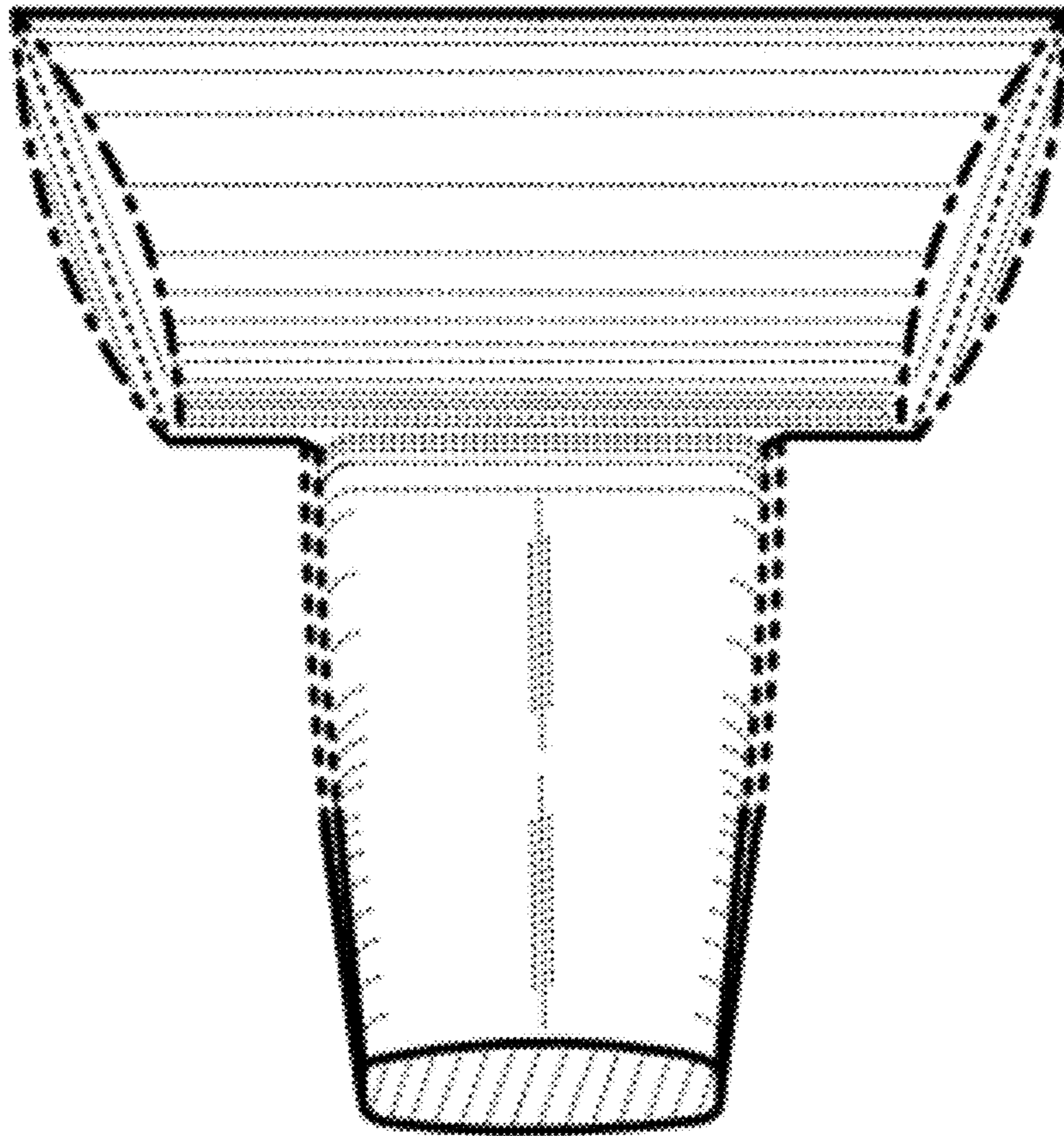


FIG. 7



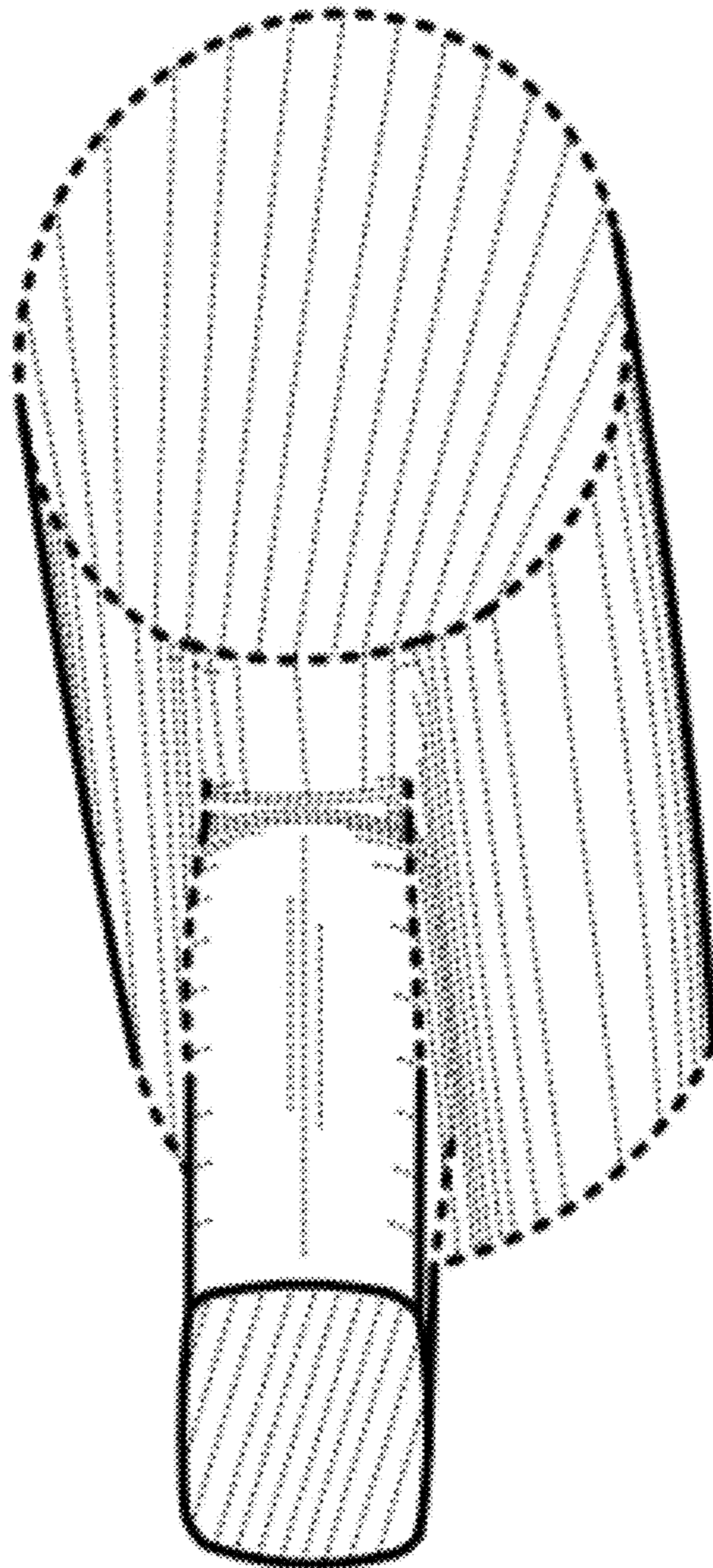


FIG. 8

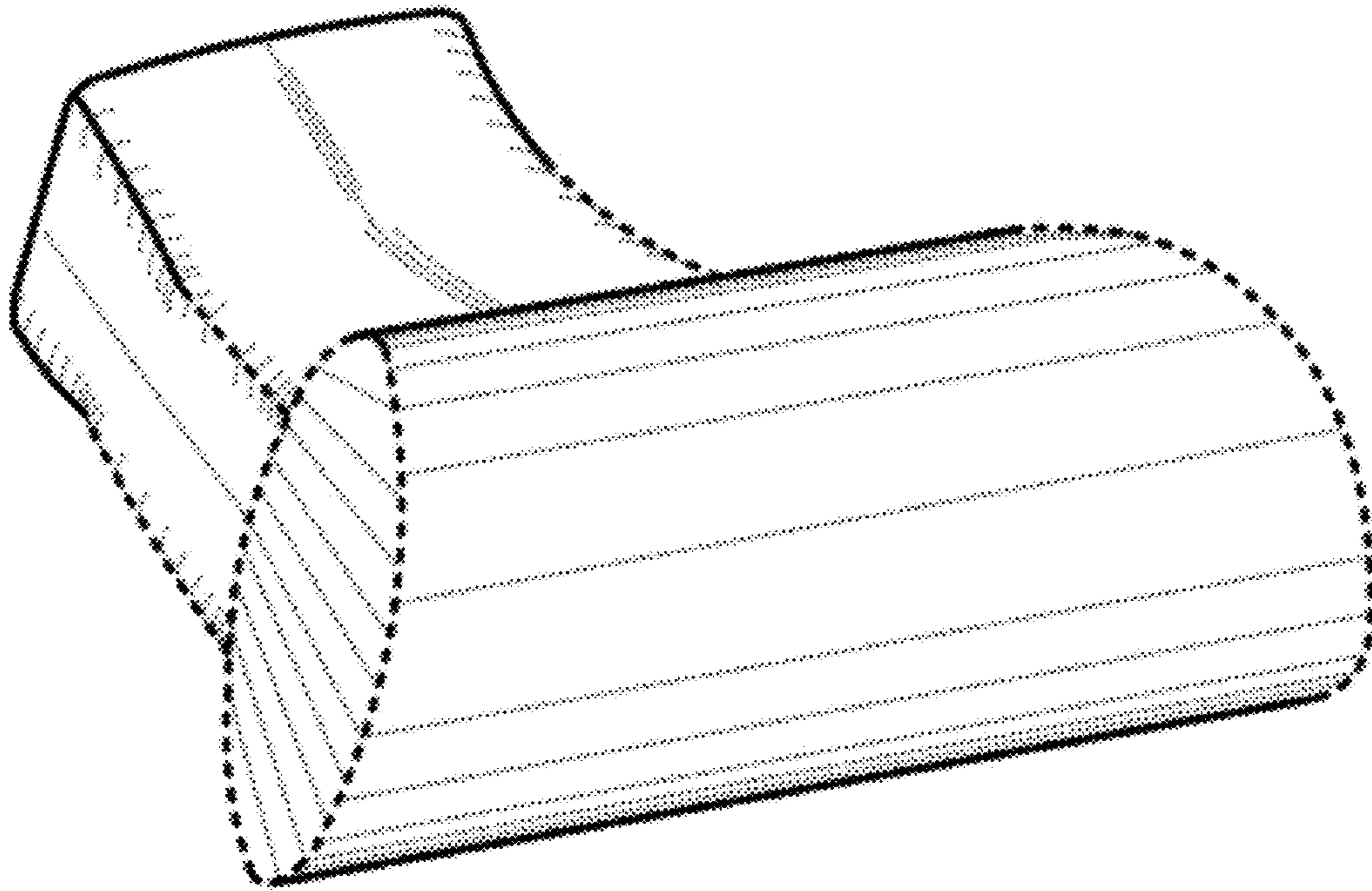


FIG. 9