

US00D660395S

(12) **United States Design Patent**
Jan

(10) **Patent No.:** **US D660,395 S**

(45) **Date of Patent:** **** May 22, 2012**

(54) **INSECT KILLER**

(76) Inventor: **Te-Chin Jan**, Taipei (TW)

(**) Term: **14 Years**

(21) Appl. No.: **29/374,632**

(22) Filed: **Sep. 12, 2011**

(51) **LOC (9) Cl.** **22-06**

(52) **U.S. Cl.** **D22/123**

(58) **Field of Classification Search** D22/119-124;
43/107, 112-113, 122, 124, 132.1, 133, 139
See application file for complete search history.

(56) **References Cited**

U.S. PATENT DOCUMENTS

D245,506 S * 8/1977 Kikoler D22/123
D335,910 S * 5/1993 Cheshire, Jr. D22/123
D612,447 S * 3/2010 Galili D22/123

8,028,467 B2 * 10/2011 Bagnall et al. 43/113

* cited by examiner

Primary Examiner — Catheri Oliver

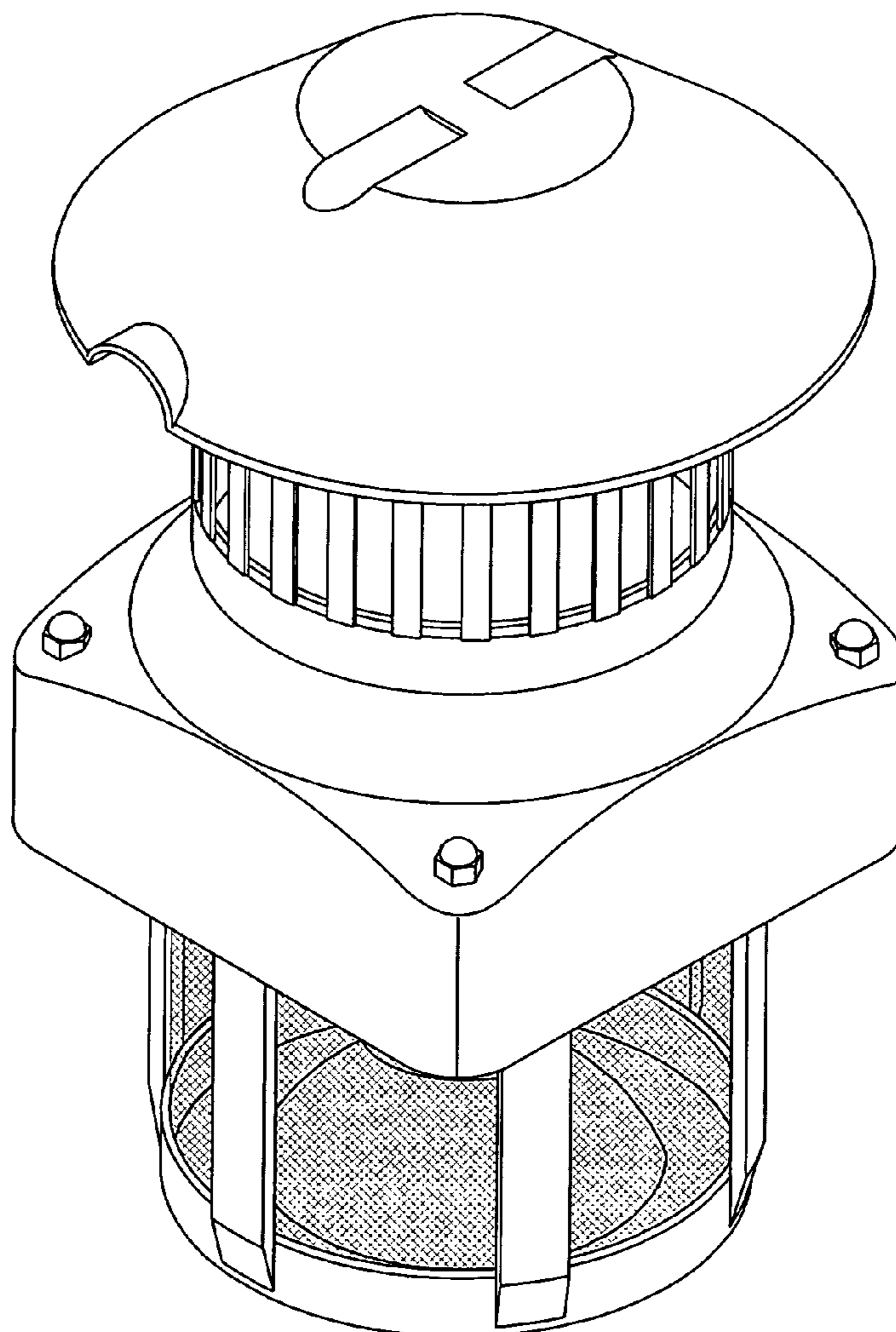
(57) **CLAIM**

The ornamental design for a insect killer, as shown and described.

DESCRIPTION

FIG. 1 is a perspective view of a “insect killer” showing my design;
FIG. 2 is a front elevational view thereof;
FIG. 3 is a rear elevational view thereof;
FIG. 4 is a left side elevational view thereof;
FIG. 5 is a right side elevational view thereof;
FIG. 6 is a top plan view thereof; and,
FIG. 7 is a bottom plan view thereof.

1 Claim, 4 Drawing Sheets



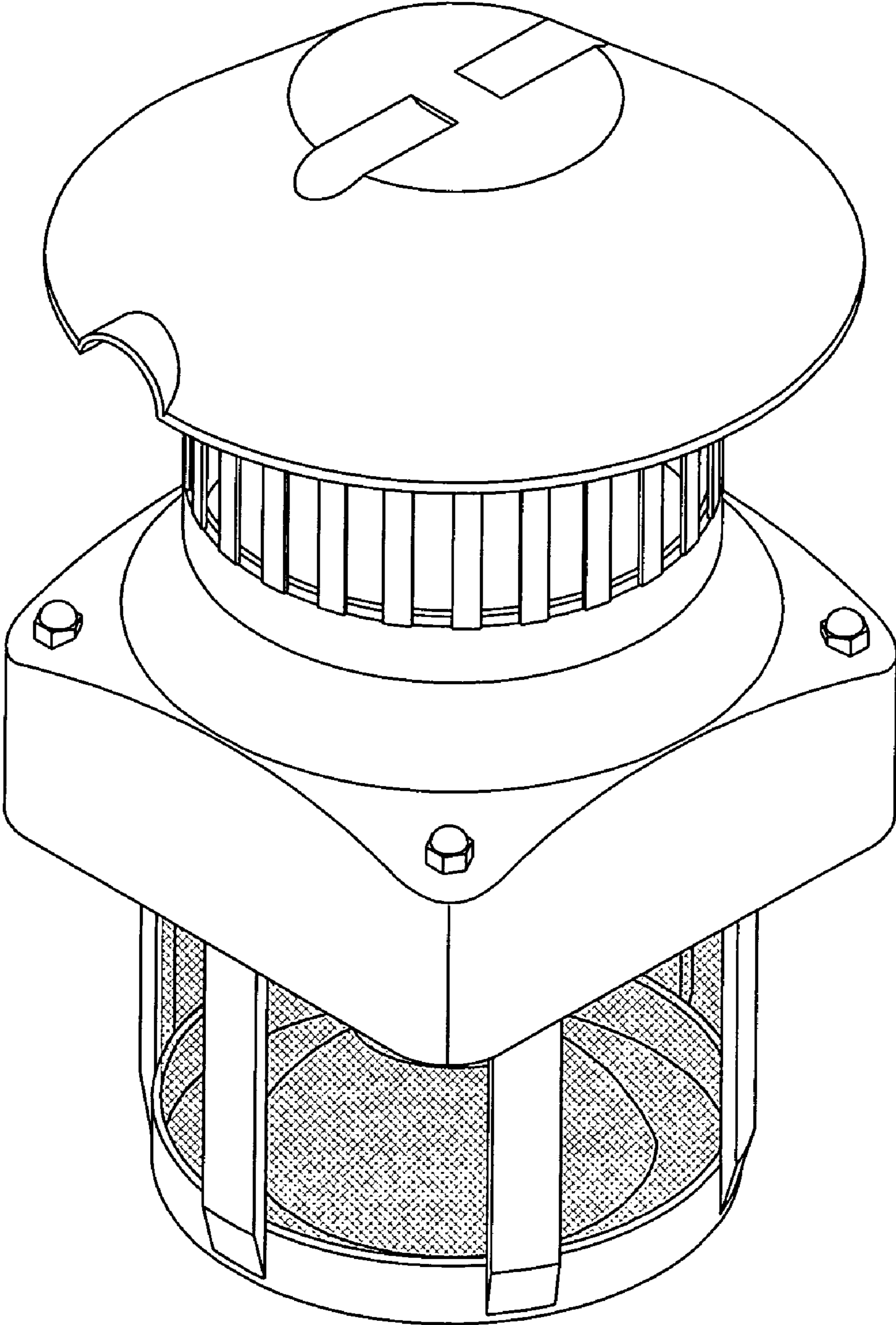


FIG. 1

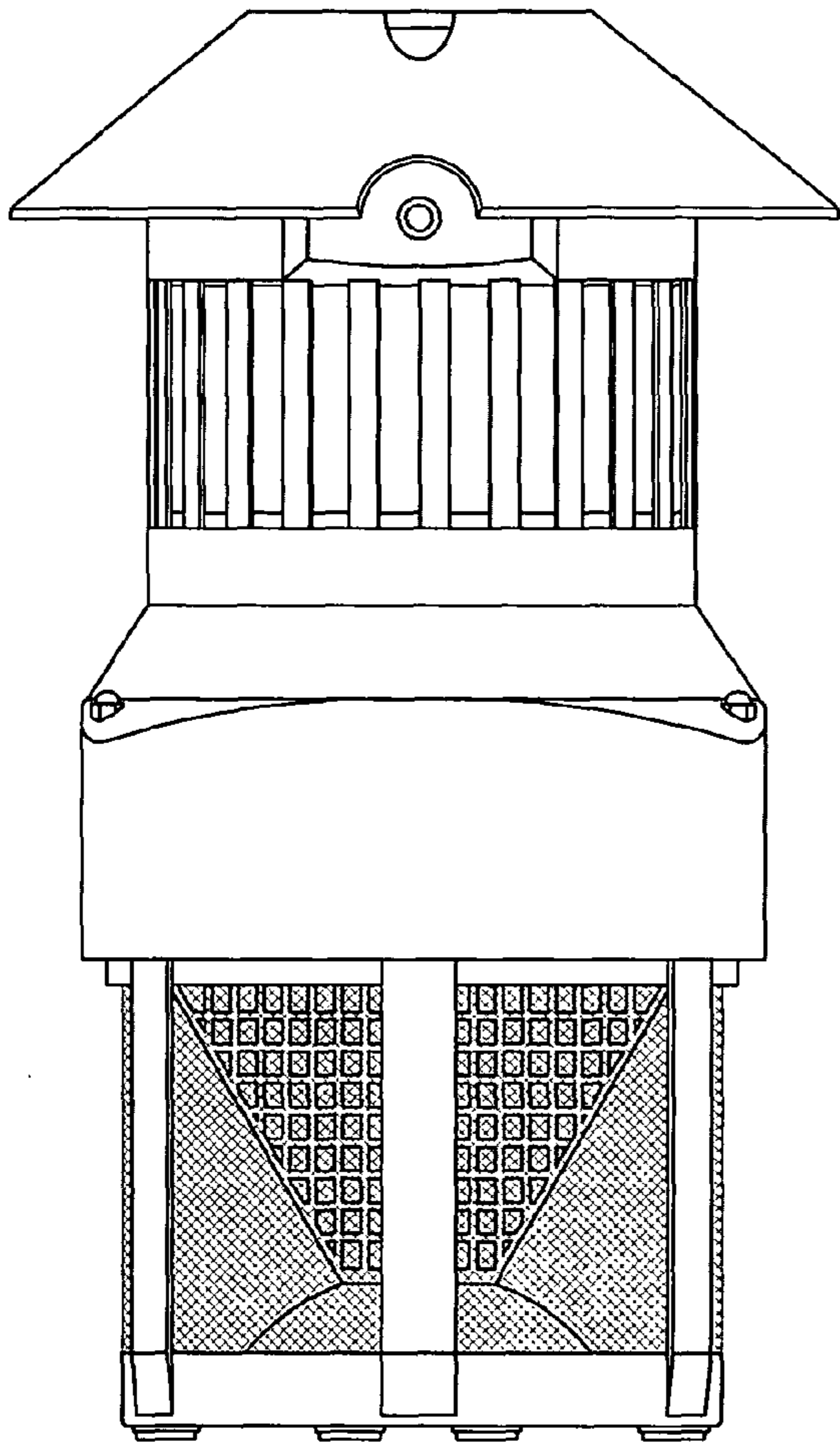


FIG. 2

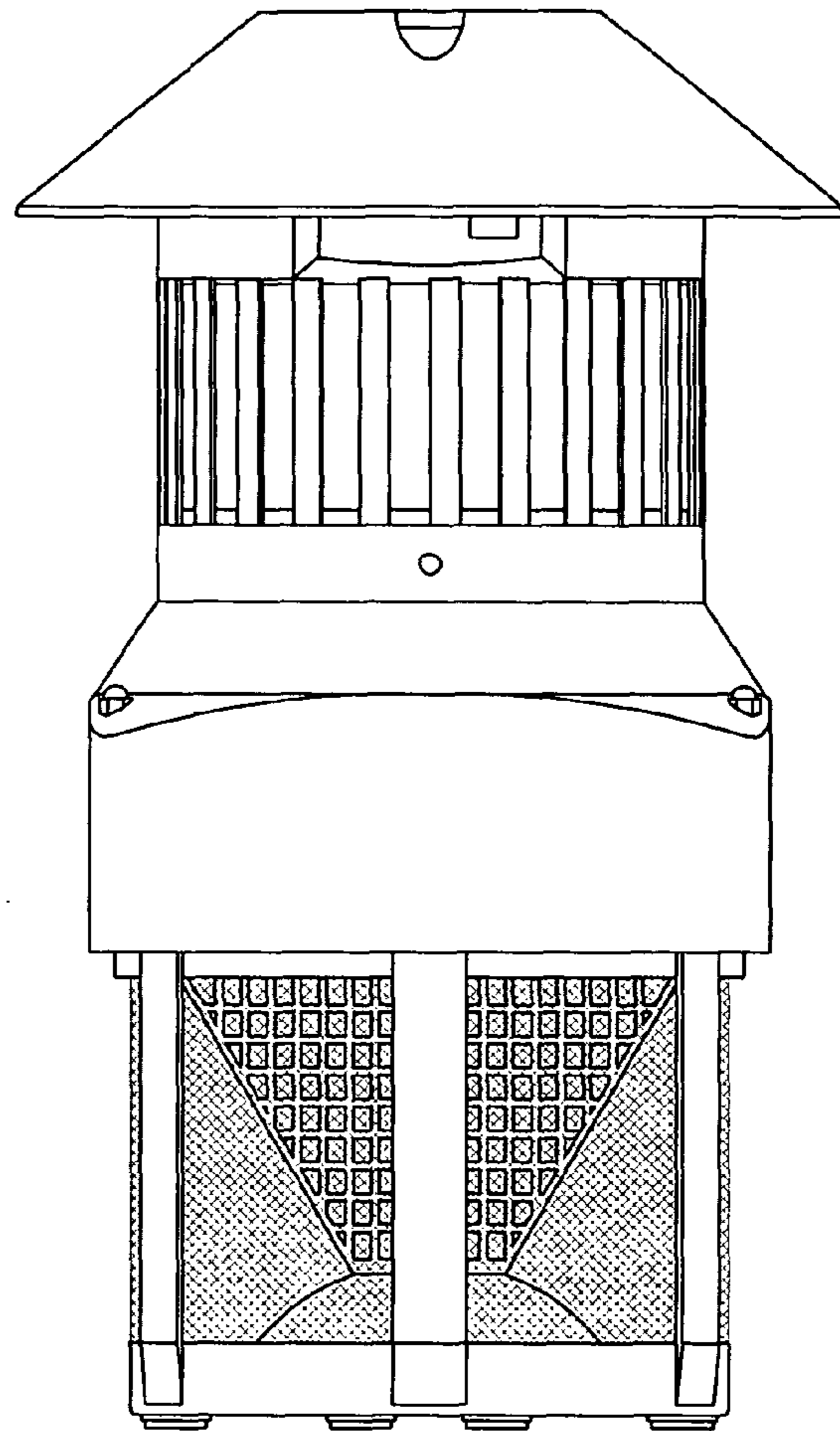


FIG. 3

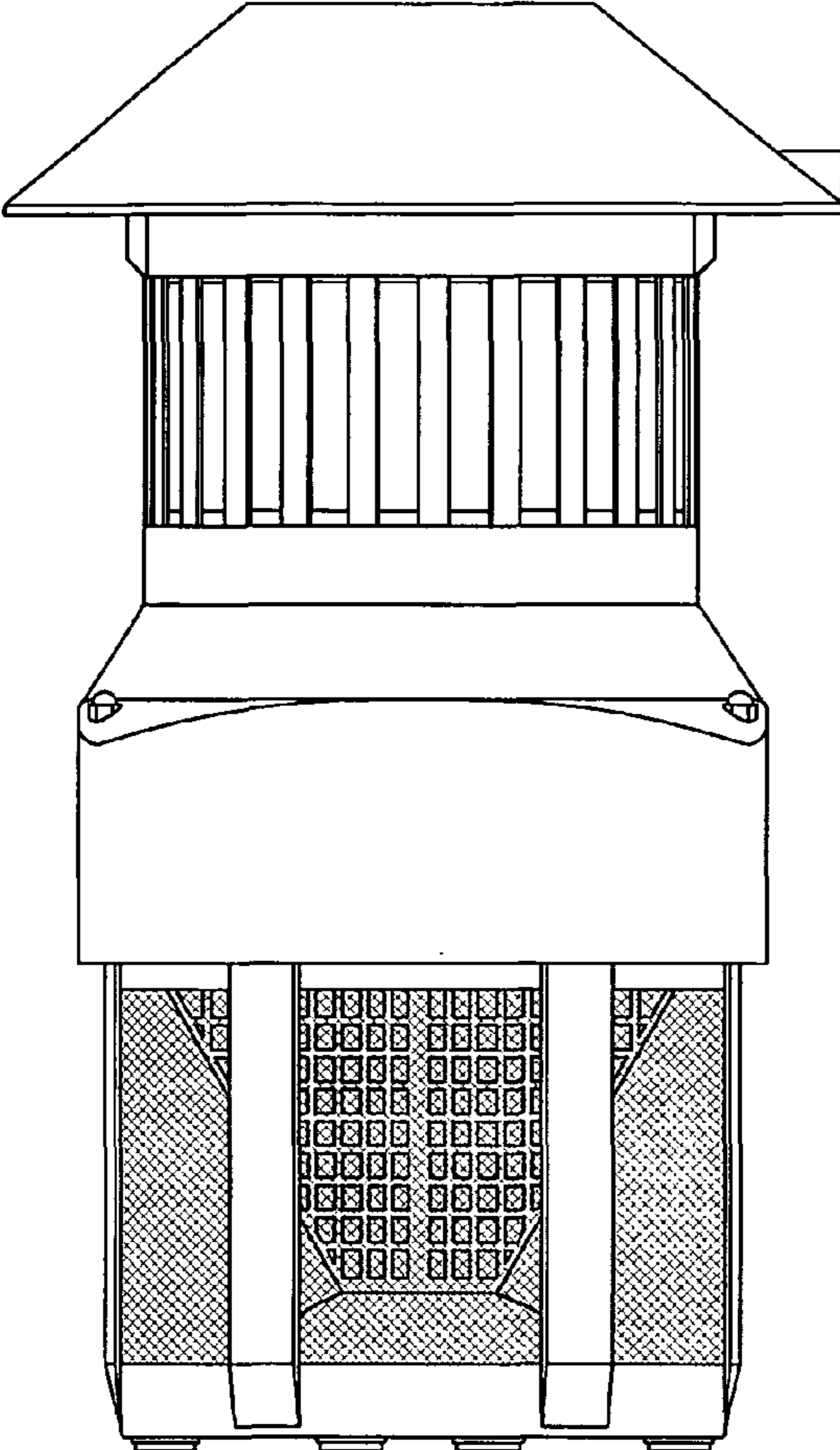


FIG. 4

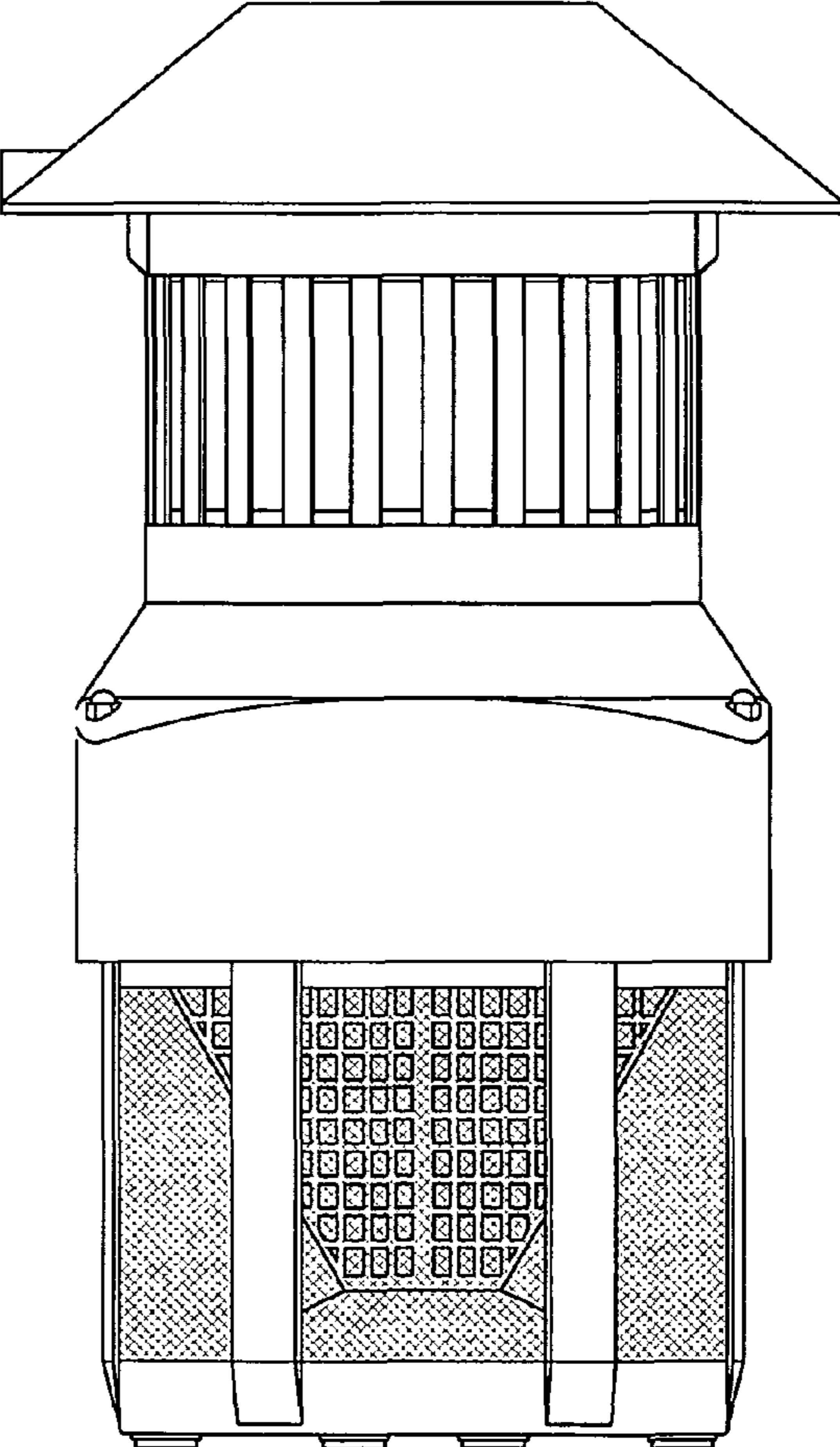


FIG. 5

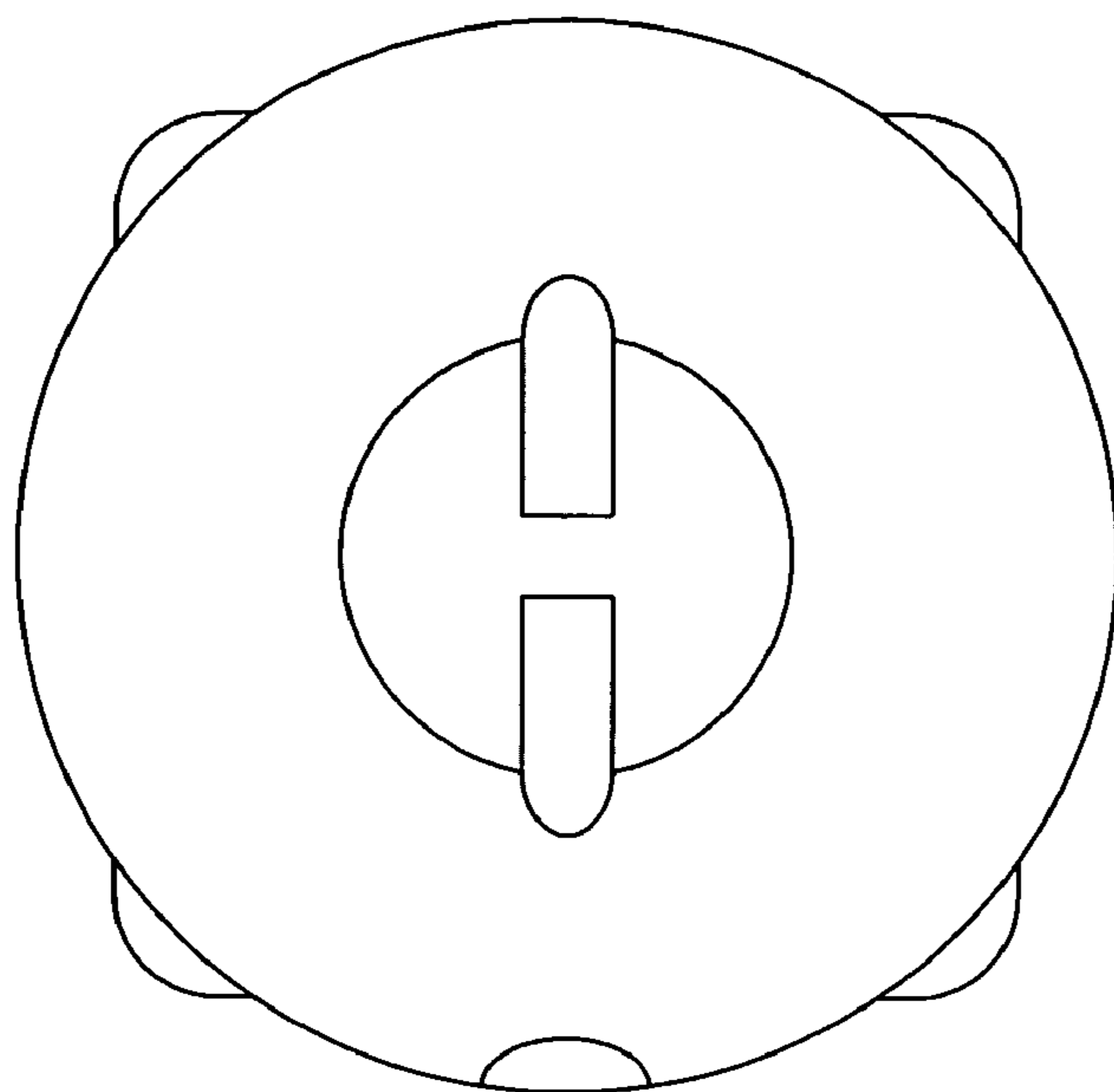


FIG. 6

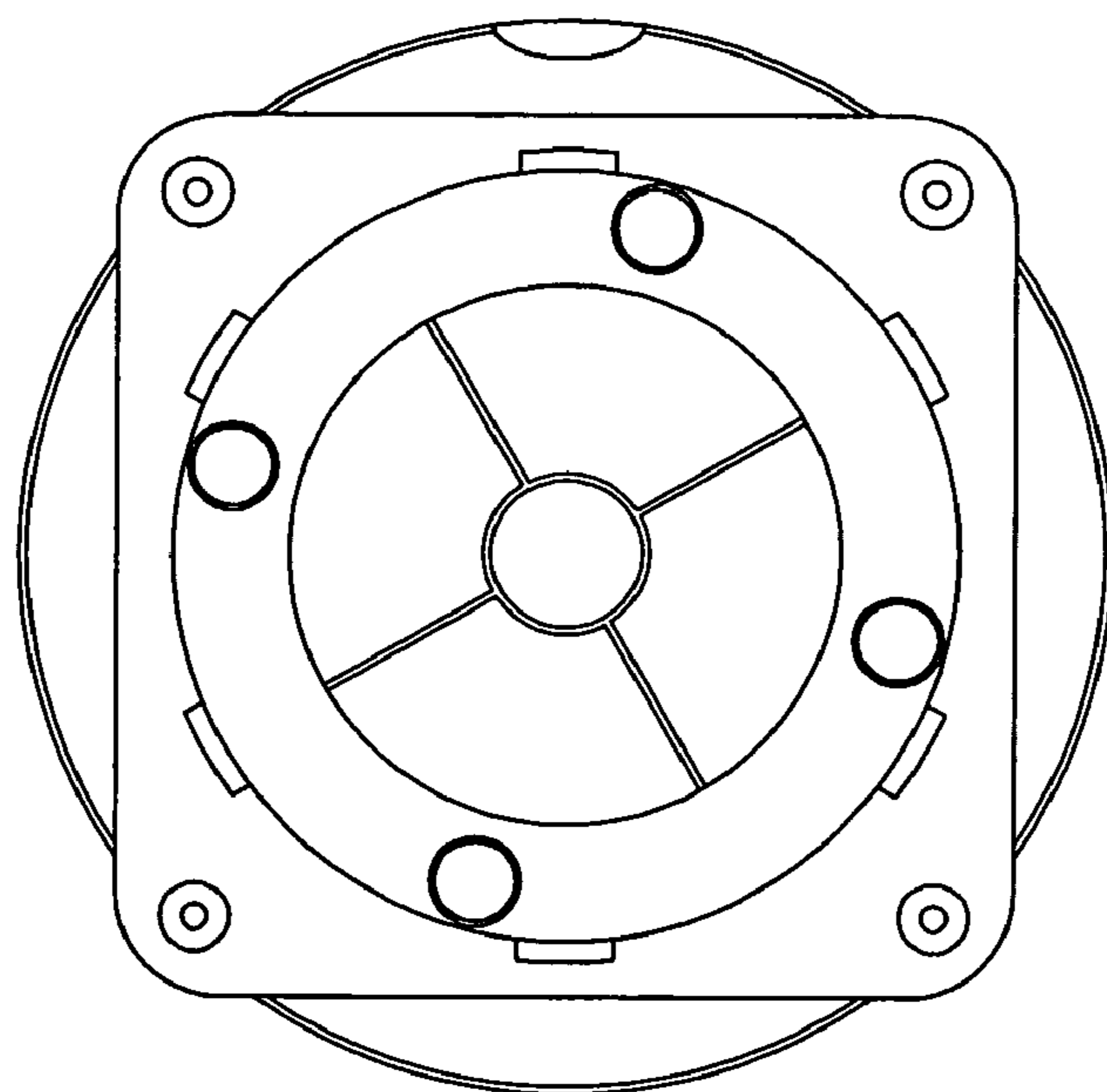


FIG. 7