



US00D660390S

(12) **United States Design Patent**
Llewellyn

(10) **Patent No.:** **US D660,390 S**

(45) **Date of Patent:** **** May 22, 2012**

(54) **IRON-TYPE GOLF CLUB**

(75) Inventor: **David Llewellyn**, Duluth, GA (US)

(73) Assignee: **Mizuno USA**, Norcross, GA (US)

(**) Term: **14 Years**

(21) Appl. No.: **29/393,428**

(22) Filed: **Jun. 3, 2011**

(51) **LOC (9) Cl.** **21-02**

(52) **U.S. Cl.** **D21/759**

(58) **Field of Classification Search** D21/747-751,
D21/759; 473/324-331, 350

See application file for complete search history.

(56) **References Cited**

U.S. PATENT DOCUMENTS

D203,936 S *	3/1966	Long	D21/750
D299,505 S *	1/1989	Honma	D21/750
D319,089 S *	8/1991	Mendralla	D21/750
D337,143 S *	7/1993	Lo	D21/750
D469,832 S *	2/2003	Bode et al.	D21/747

D516,649 S *	3/2006	Imamoto	D21/747
D589,107 S *	3/2009	Oldknow	D21/759
D619,184 S *	7/2010	Llewellyn et al.	D21/759

* cited by examiner

Primary Examiner — Mitchell Siegel

(74) *Attorney, Agent, or Firm* — Troutman Sanders LLP;
James E. Schutz; Robert R. Elliott, Jr.

(57) **CLAIM**

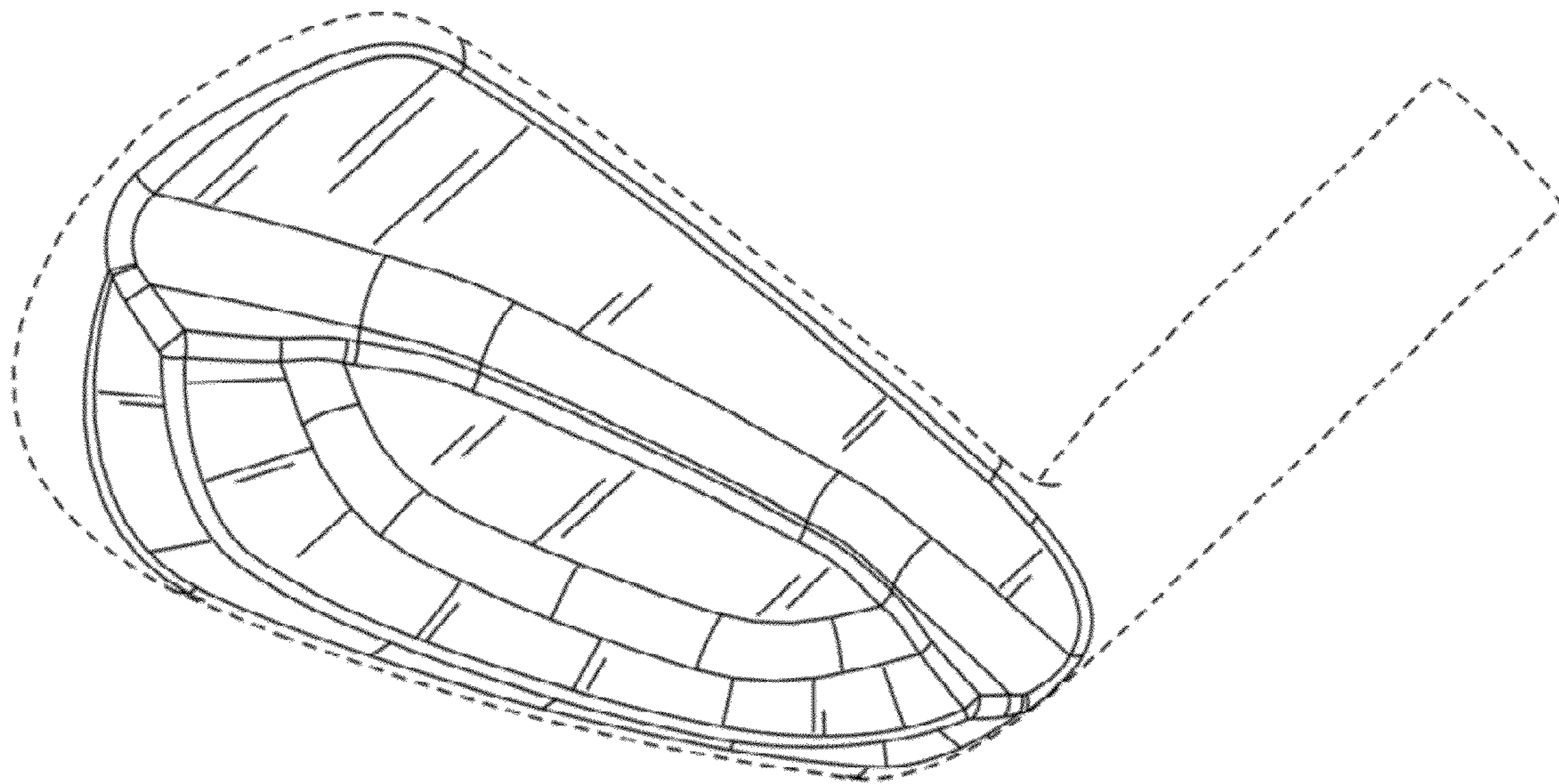
The ornamental design for an iron-type golf club, as shown and described.

DESCRIPTION

FIG. 1 illustrates a rear perspective view of an iron-type golf club head with multiple cavity profiles;
FIG. 2 illustrates a rear, left perspective view of an iron-type golf club head with multiple cavity profiles;
FIG. 3 illustrates a bottom, left perspective view of an iron-type golf club head with multiple cavity profiles; and,
FIG. 4 illustrates a top perspective view of an iron-type golf club head with multiple cavity profiles.

The broken, dashed lines shown in the various figures depicting embodiments of the invention are included for the purpose of illustrating environment and do not form any part of the claimed design.

1 Claim, 4 Drawing Sheets



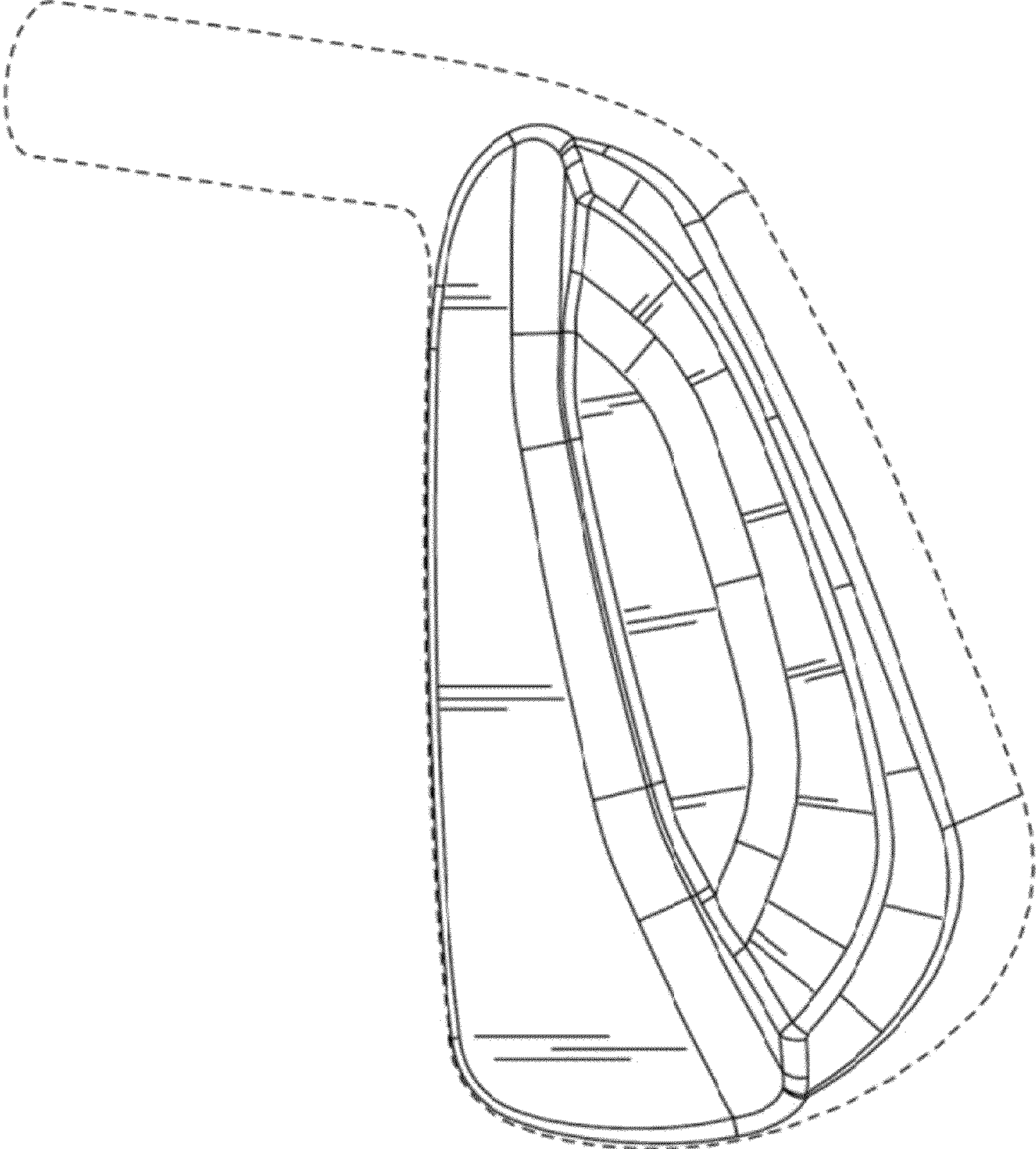


Fig. 1

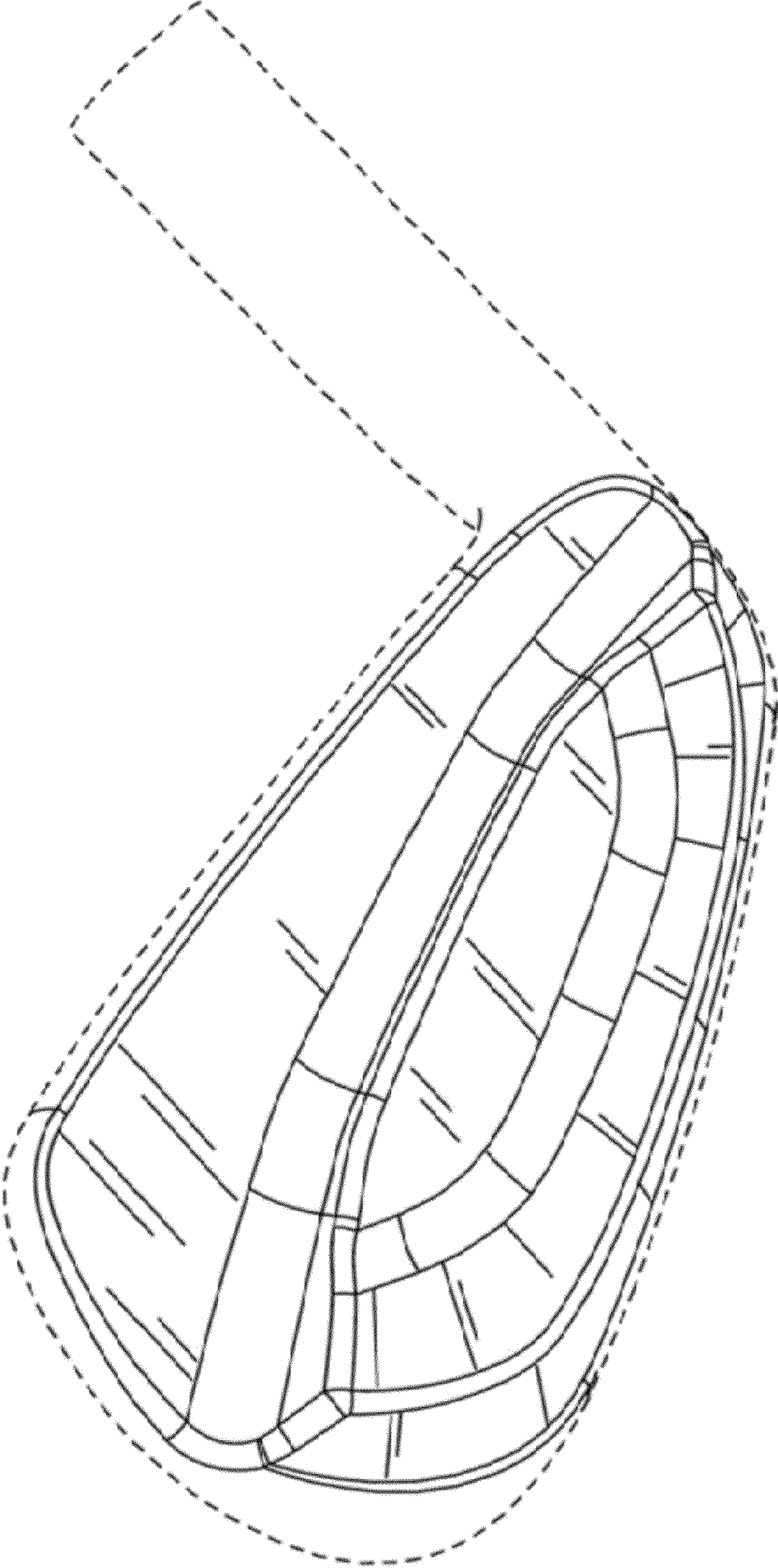
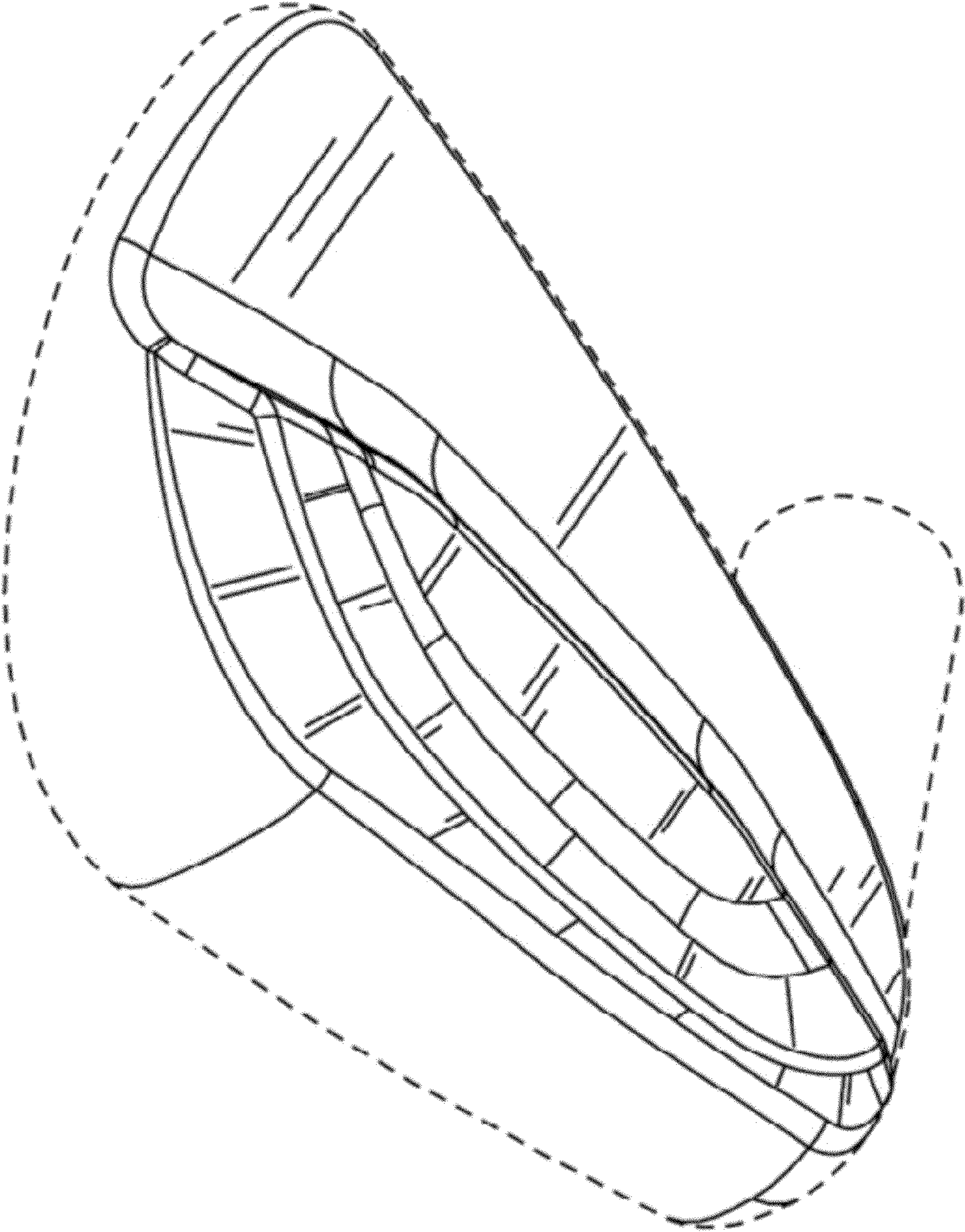


Fig. 2

Fig. 3



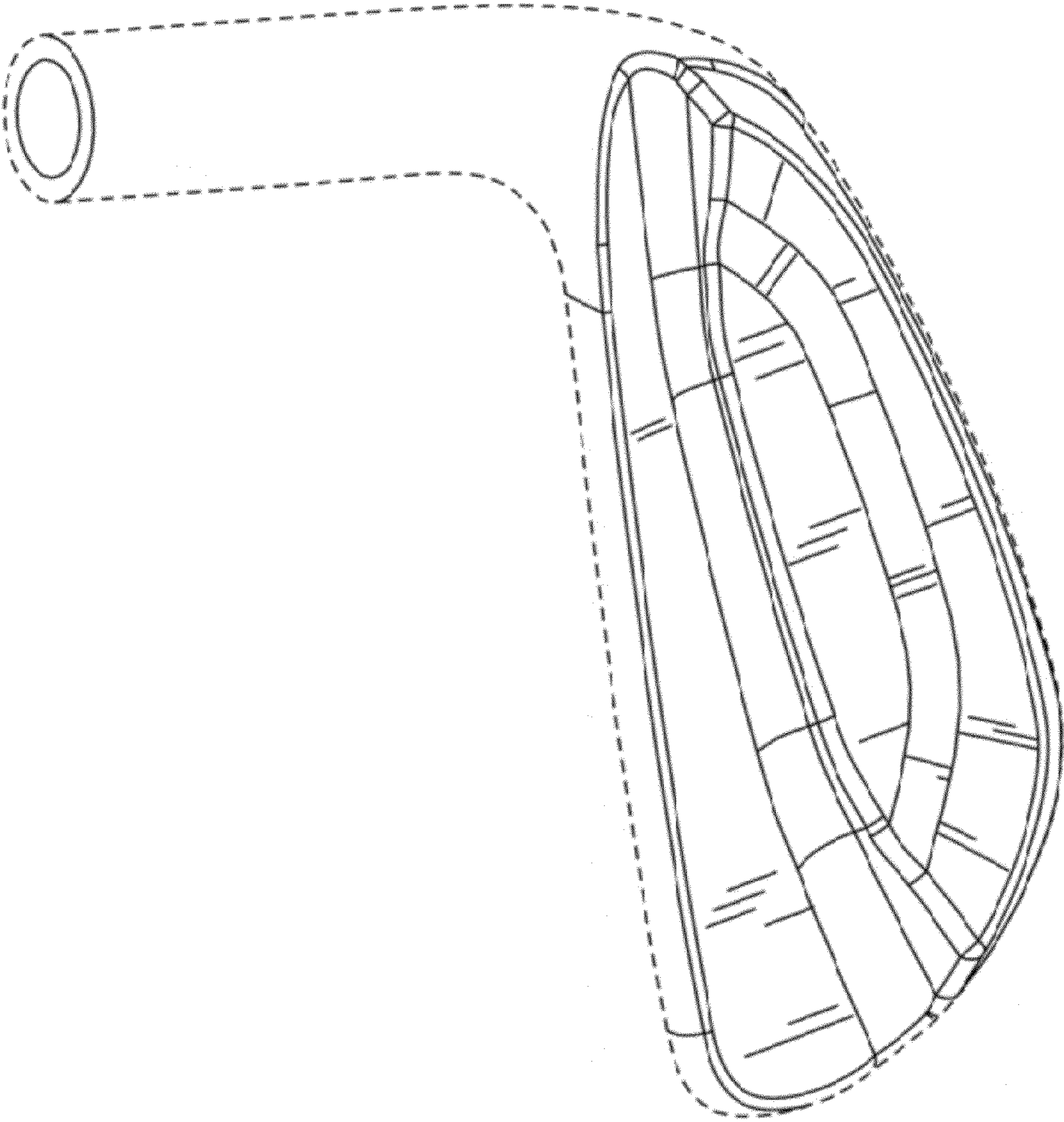


Fig. 4