



US00D660389S

(12) **United States Design Patent**
Voshall et al.

(10) **Patent No.:** **US D660,389 S**

(45) **Date of Patent:** **** May 22, 2012**

(54) **IRON-TYPE GOLF CLUB**

(75) Inventors: **Chris Voshall**, Atlanta, GA (US);
Richard Delvac, Lawrenceville, GA
(US); **Mamoru Saraie**, Osaka (JP)

(73) Assignee: **Mizuno USA**, Norcross, GA (US)

(**) Term: **14 Years**

(21) Appl. No.: **29/393,421**

(22) Filed: **Jun. 3, 2011**

(51) **LOC (9) Cl.** **21-02**

(52) **U.S. Cl.** **D21/759**

(58) **Field of Classification Search** D21/747–751,
D21/759; 473/324–331, 350
See application file for complete search history.

(56) **References Cited**

U.S. PATENT DOCUMENTS

- D601,651 S * 10/2009 Jorgensen et al. D21/759
- D602,103 S * 10/2009 Jorgensen et al. D21/747
- D618,743 S * 6/2010 Roach et al. D21/747
- D619,183 S * 7/2010 Llewellyn et al. D21/759

- D622,336 S * 8/2010 Kohno D21/747
- D630,280 S * 1/2011 Park et al. D21/759

* cited by examiner

Primary Examiner — Mitchell Siegel

(74) *Attorney, Agent, or Firm* — Troutman Sanders LLP;
James E. Schutz; Robert R. Elliot, Jr.

(57) **CLAIM**

The ornamental design for an iron-type golf club, as shown and described.

DESCRIPTION

FIG. 1 illustrates a rear perspective view of an iron-type golf club head with multiple cavity profiles;
 FIG. 2 illustrates a rear, left perspective view of an iron-type golf club head with multiple cavity profiles;
 FIG. 3 illustrates a bottom perspective view of an iron-type golf club head with multiple cavity profiles;
 FIG. 4 illustrates a rear, right perspective view of an iron-type golf club head with multiple cavity profiles; and,
 FIG. 5 illustrates another rear perspective view of an iron-type golf club head with multiple cavity profiles.
 The broken, dashed lines shown in the various figures depicting embodiments of the invention are included for the purpose of illustrating environment and do not form any part of the claimed design.

1 Claim, 5 Drawing Sheets

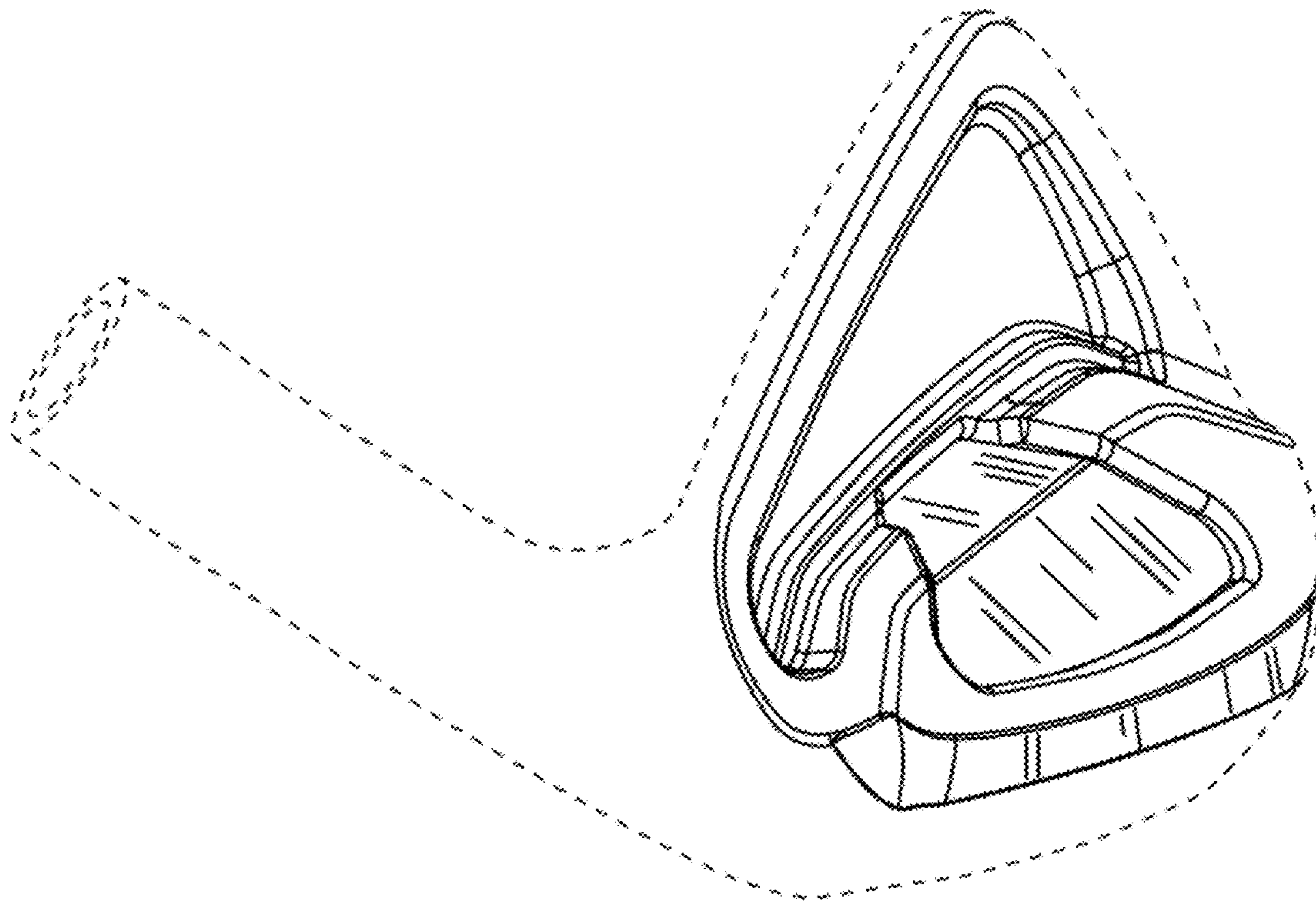
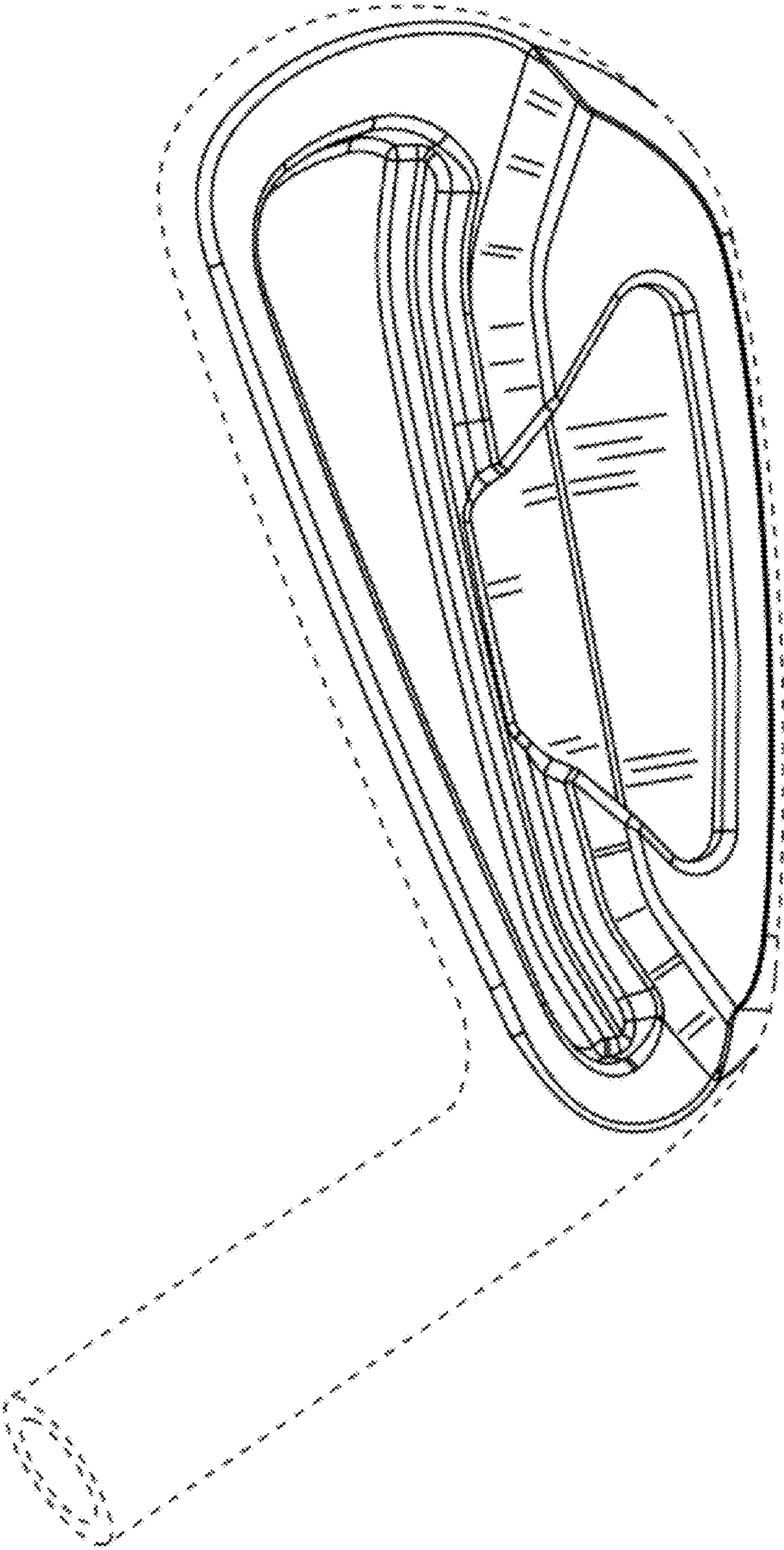


Fig. 1



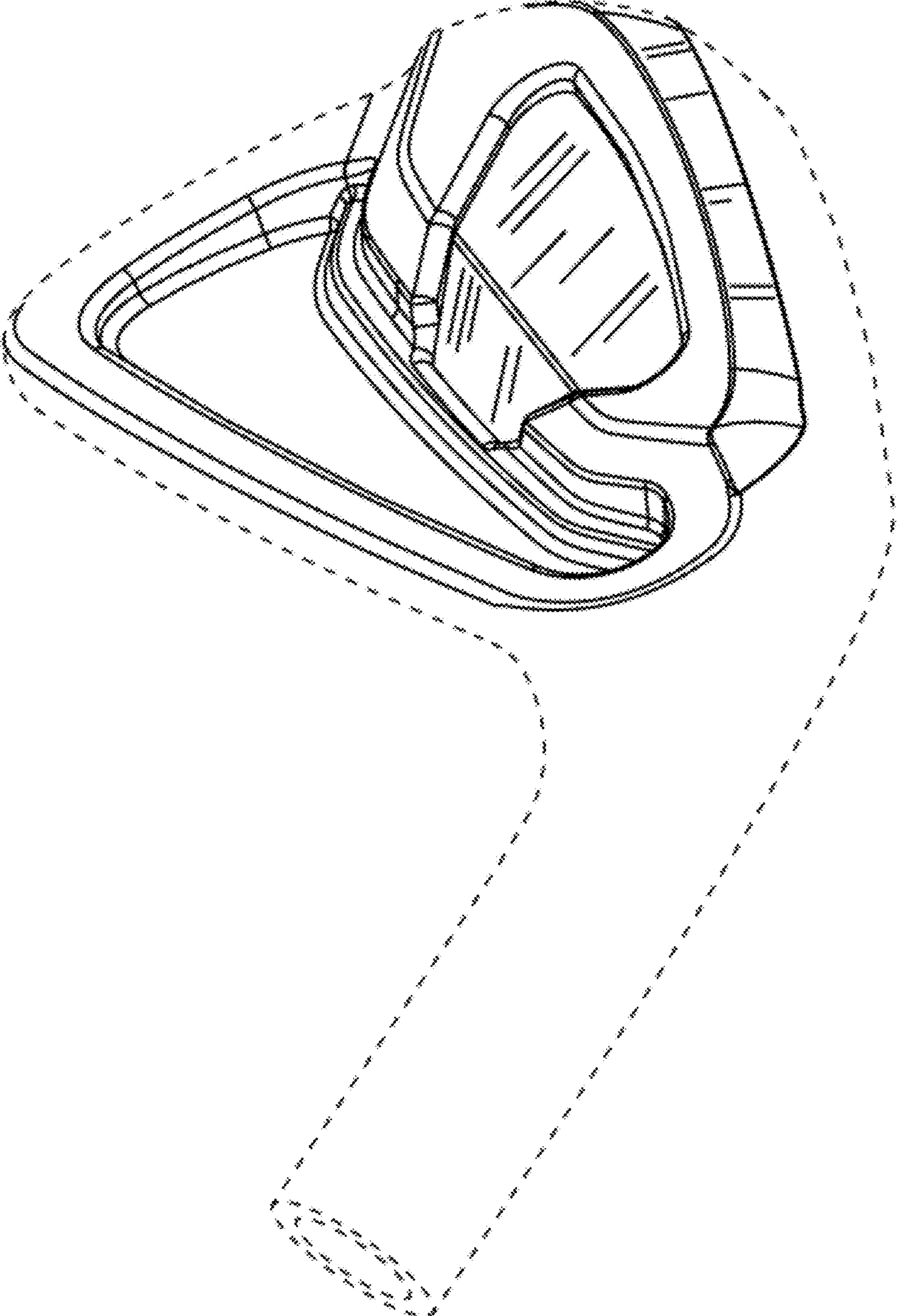


Fig. 2

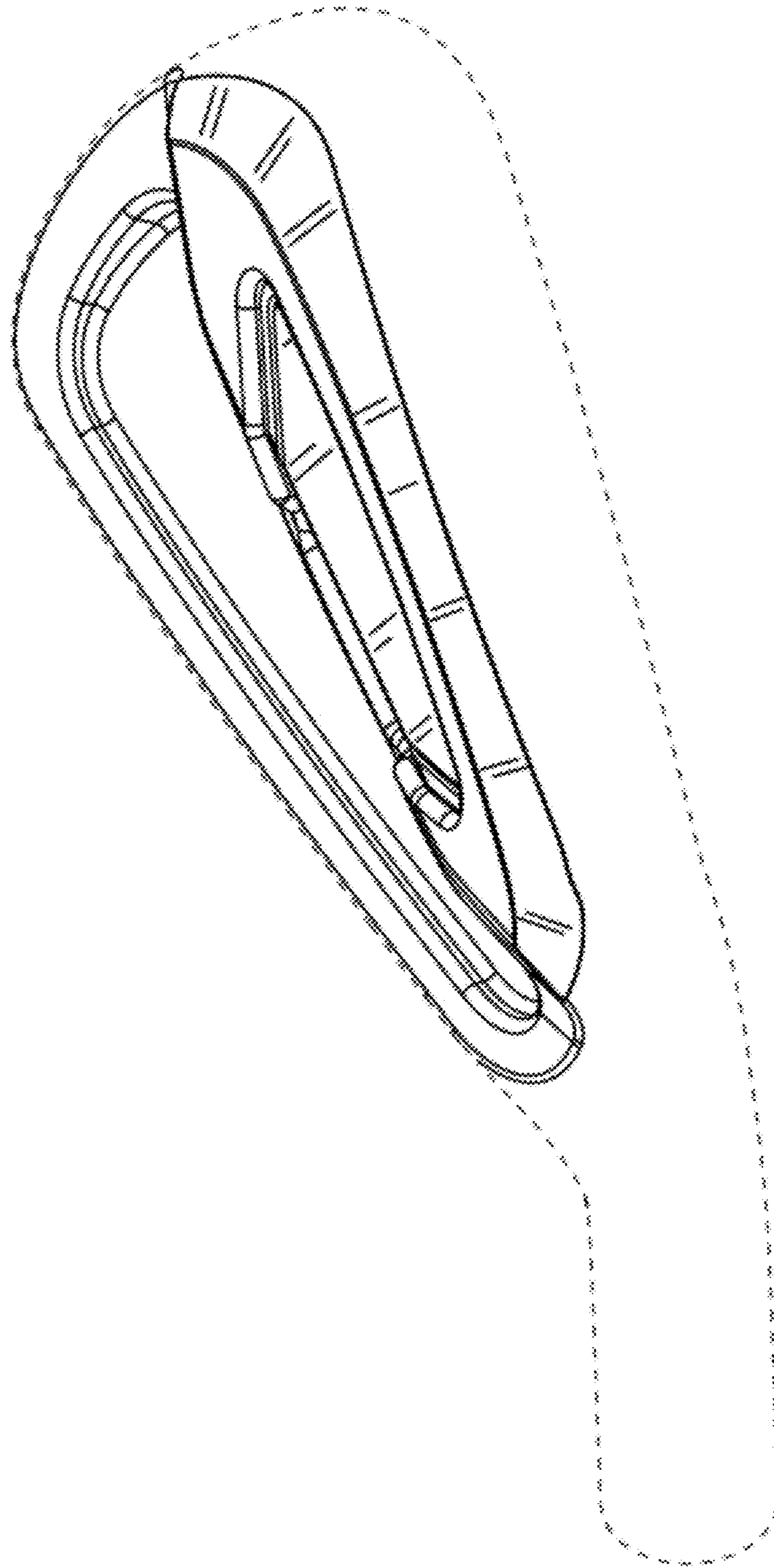
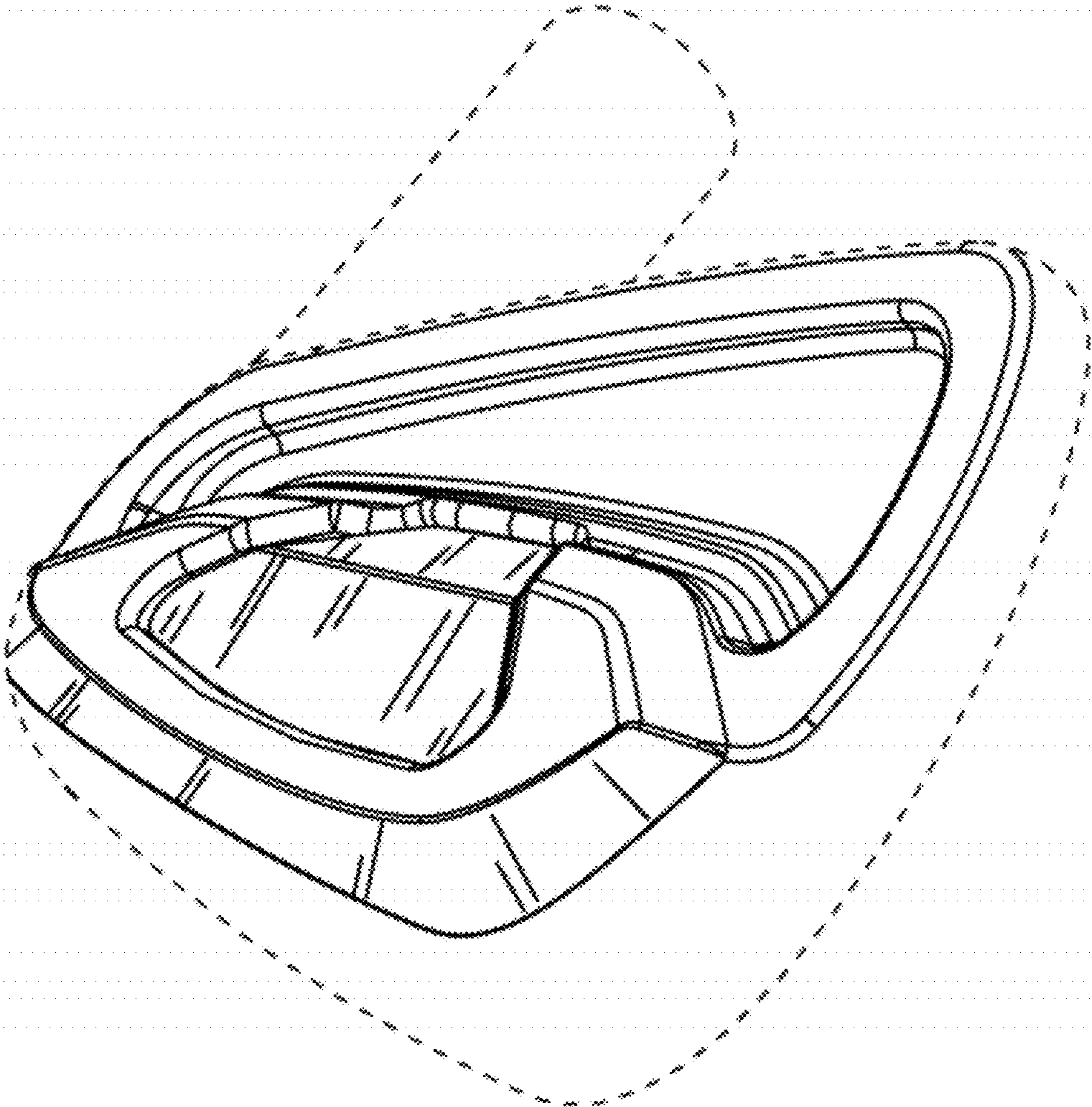


Fig. 3

Fig. 4



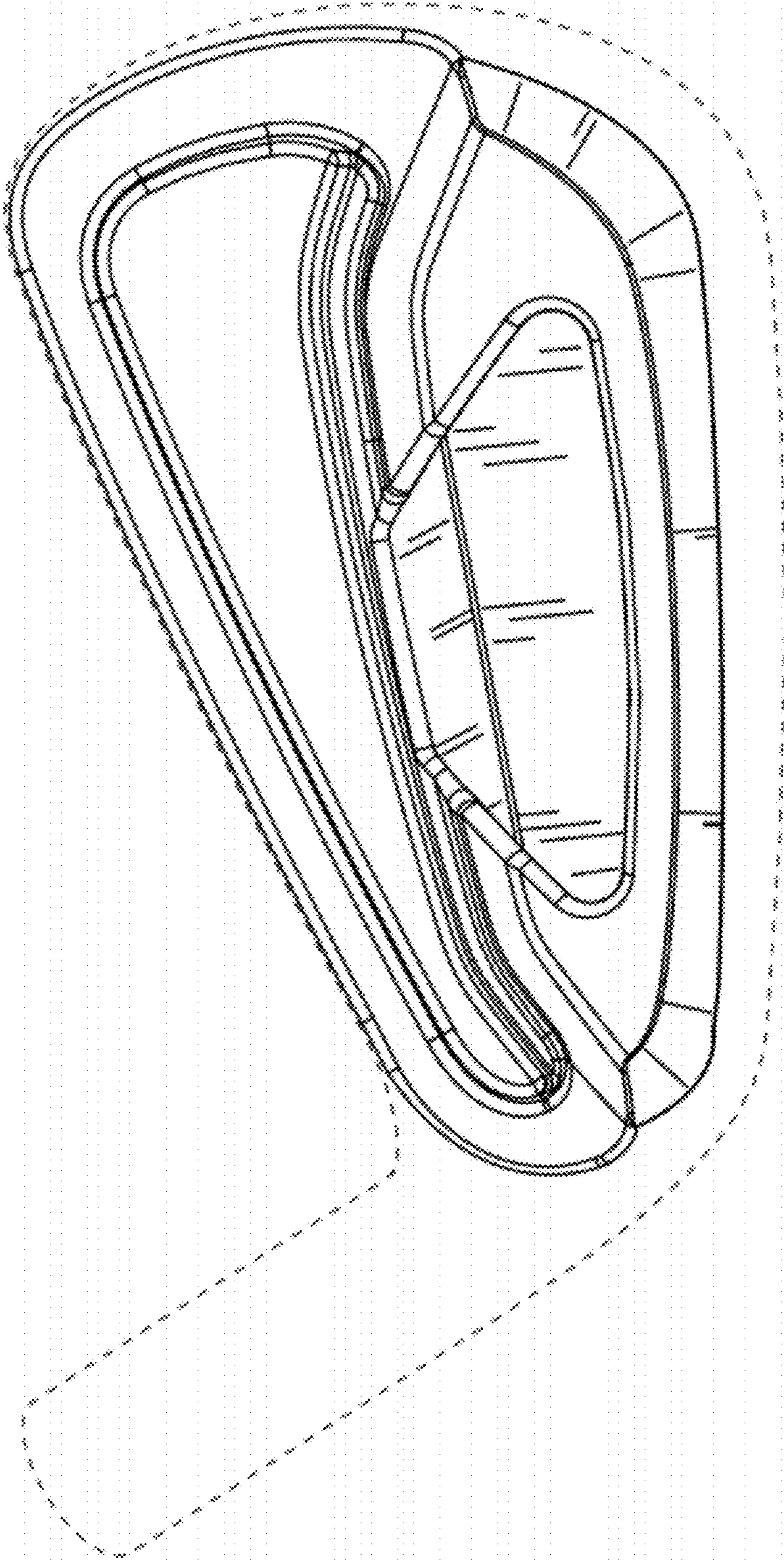


Fig. 5