

US00D660361S

(12) **United States Design Patent**
Carver, Jr.

(10) **Patent No.:** **US D660,361 S**

(45) **Date of Patent:** **** May 22, 2012**

(54) **MOUNTABLE ADVERTISING DEVICE WITH PLATFORM**

(76) Inventor: **Victor Carver, Jr.**, St. Petersburg, FL (US)

(**) Term: **14 Years**

(21) Appl. No.: **29/406,479**

(22) Filed: **Nov. 15, 2011**

(51) **LOC (9) Cl.** **20-03**

(52) **U.S. Cl.** **D20/19; D20/43; D6/467**

(58) **Field of Classification Search** D20/10, D20/17, 19, 21, 29, 39-43, 99; 40/446, 538, 40/541, 584, 593, 606.01, 606.03, 618, 624, 40/642.02, 725, 765; D6/300, 397, 467, D6/468; D7/619.1, 619.2; 4/605; 220/737
See application file for complete search history.

(56) **References Cited**

U.S. PATENT DOCUMENTS

3,373,448 A * 3/1968 Butler 4/605
D438,256 S * 2/2001 Timmermans et al. D20/10

D455,273 S * 4/2002 Harwanko D6/300
6,886,282 B2 * 5/2005 Sumner et al. 40/593
D526,538 S * 8/2006 Harris D7/619.2
D559,577 S * 1/2008 Quinn D6/397
2004/0149765 A1 8/2004 Pryce

* cited by examiner

Primary Examiner — Mary Ann Calabrese

(74) *Attorney, Agent, or Firm* — Thomas Frost

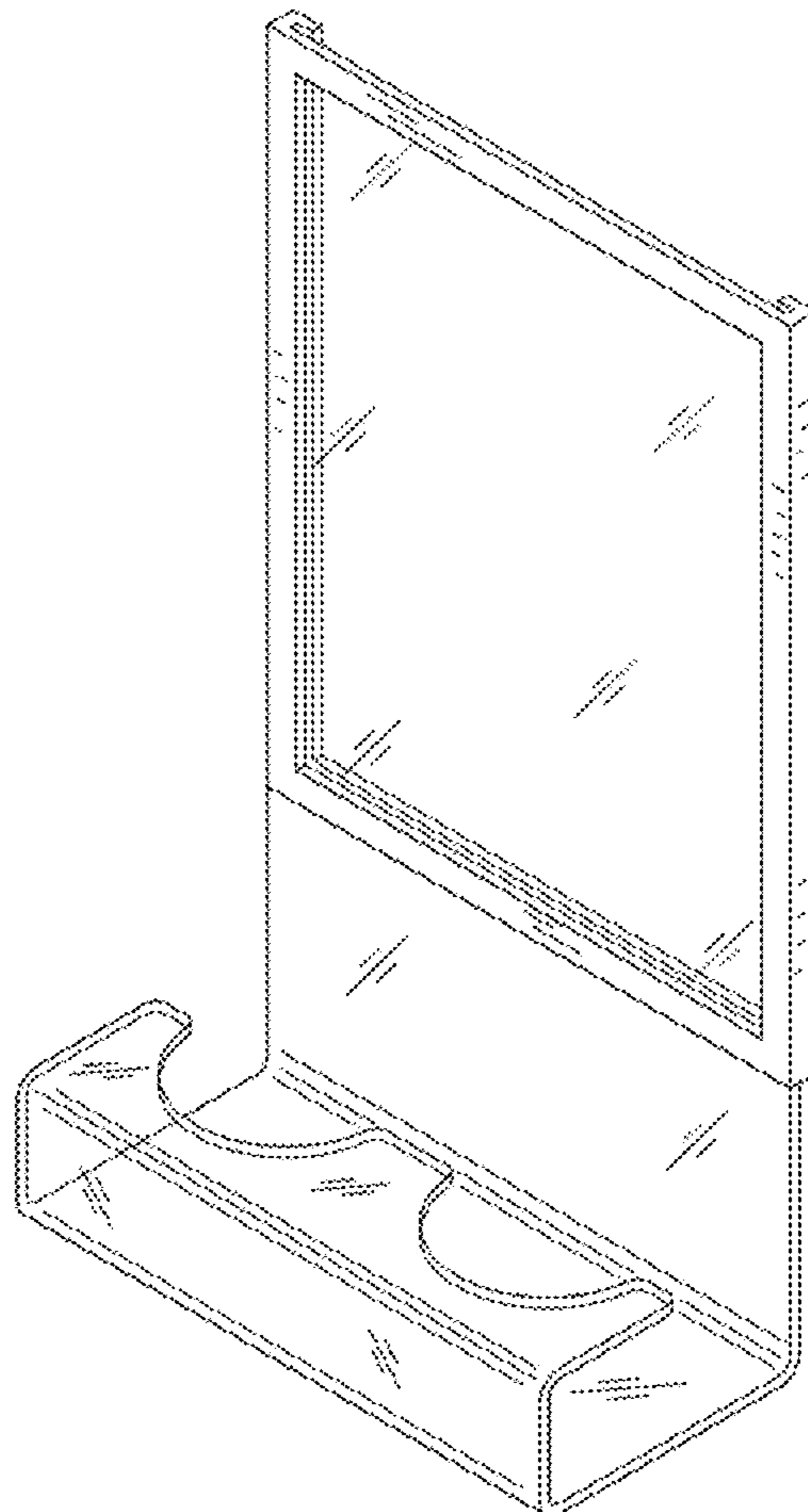
(57) **CLAIM**

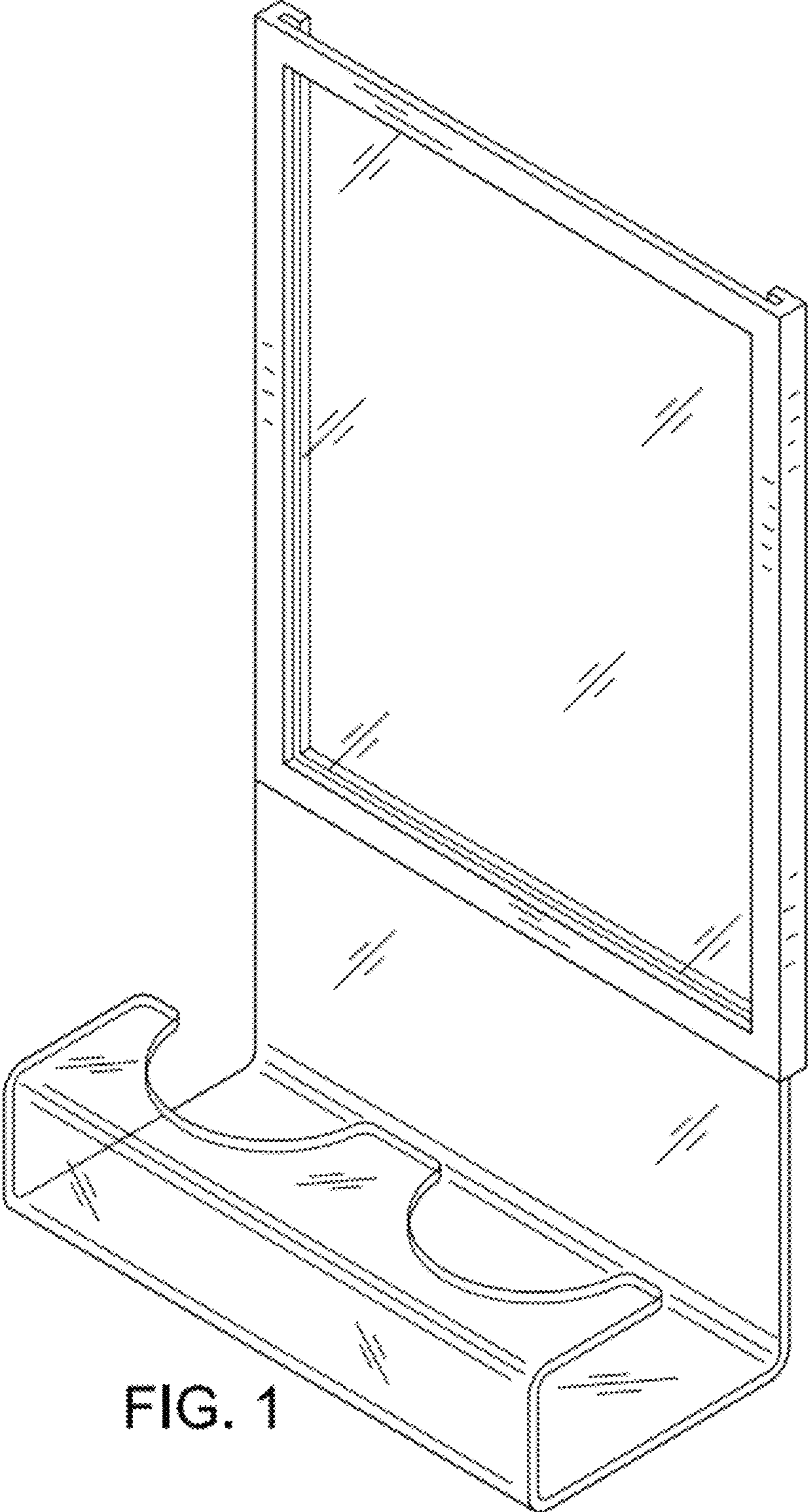
The ornamental design for a mountable advertising device with platform, as shown and described.

DESCRIPTION

FIG. 1 is a front perspective view of a mountable advertising device showing my new design;
FIG. 2 is a front elevational view thereof;
FIG. 3 is a rear elevational view thereof;
FIG. 4 is a top plan view thereof;
FIG. 5 is a bottom plan view thereof;
FIG. 6 is a left side elevational view thereof; and,
FIG. 7 is a right side elevational view thereof.

1 Claim, 5 Drawing Sheets





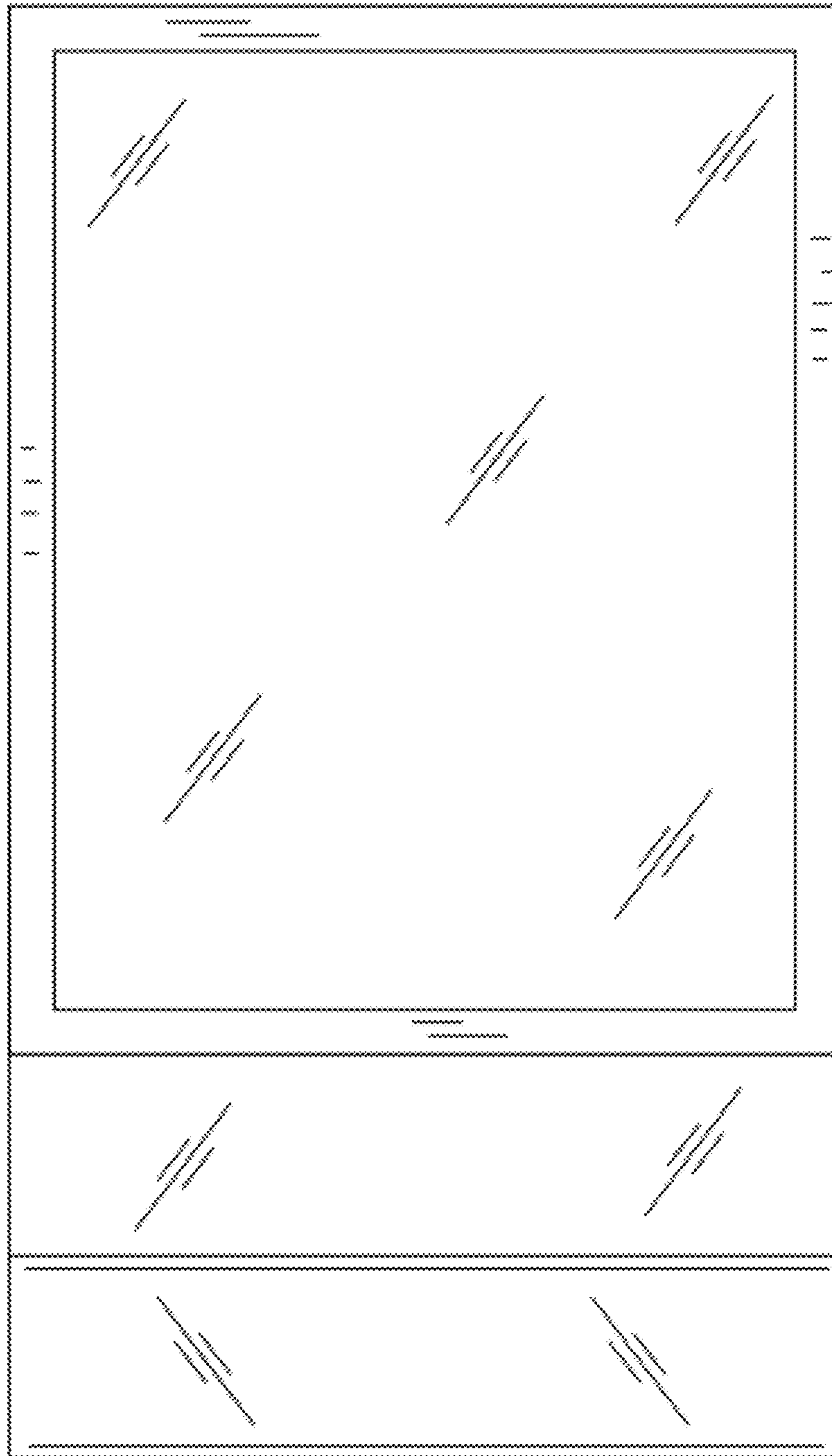


FIG. 2

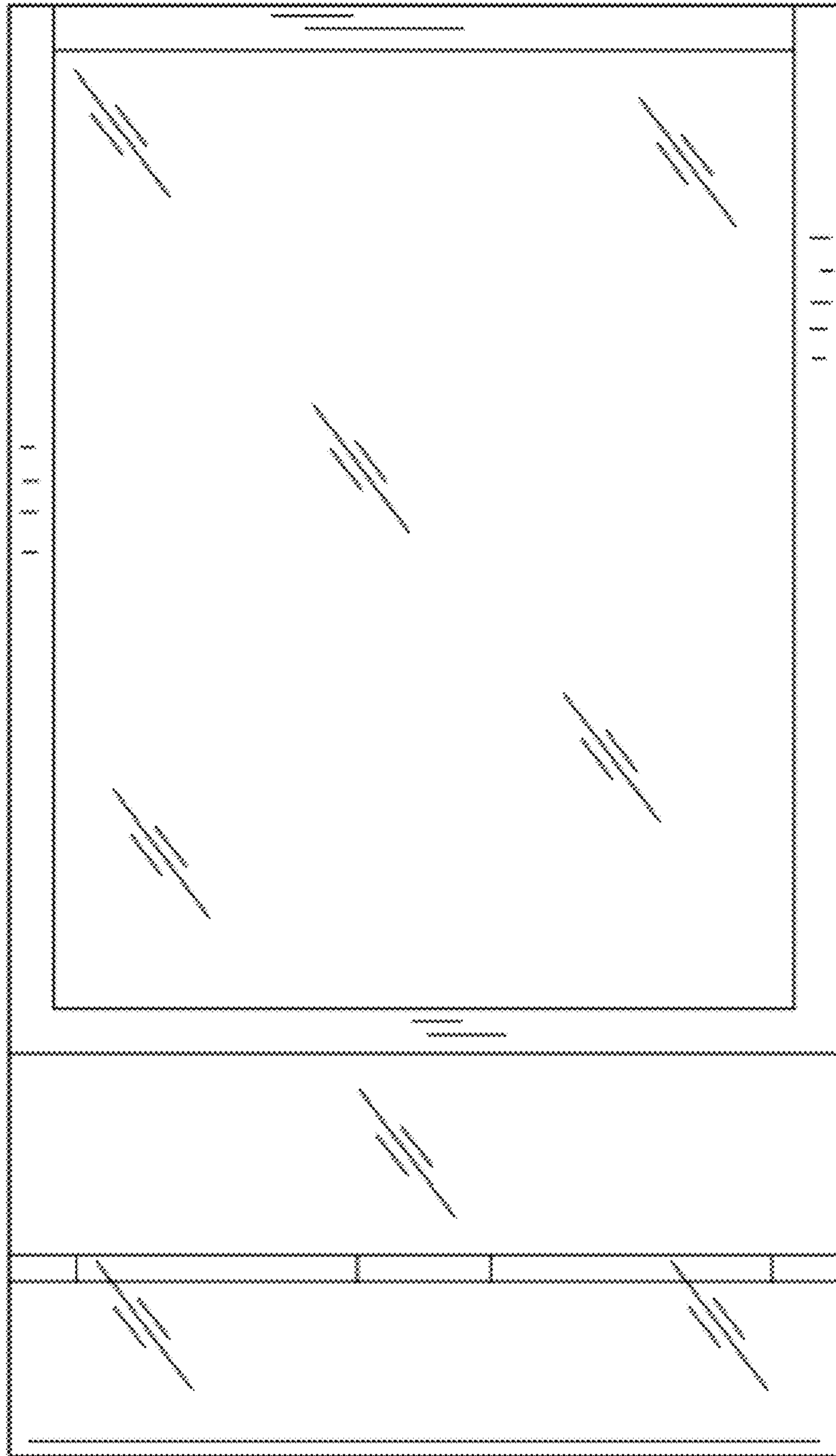


FIG. 3

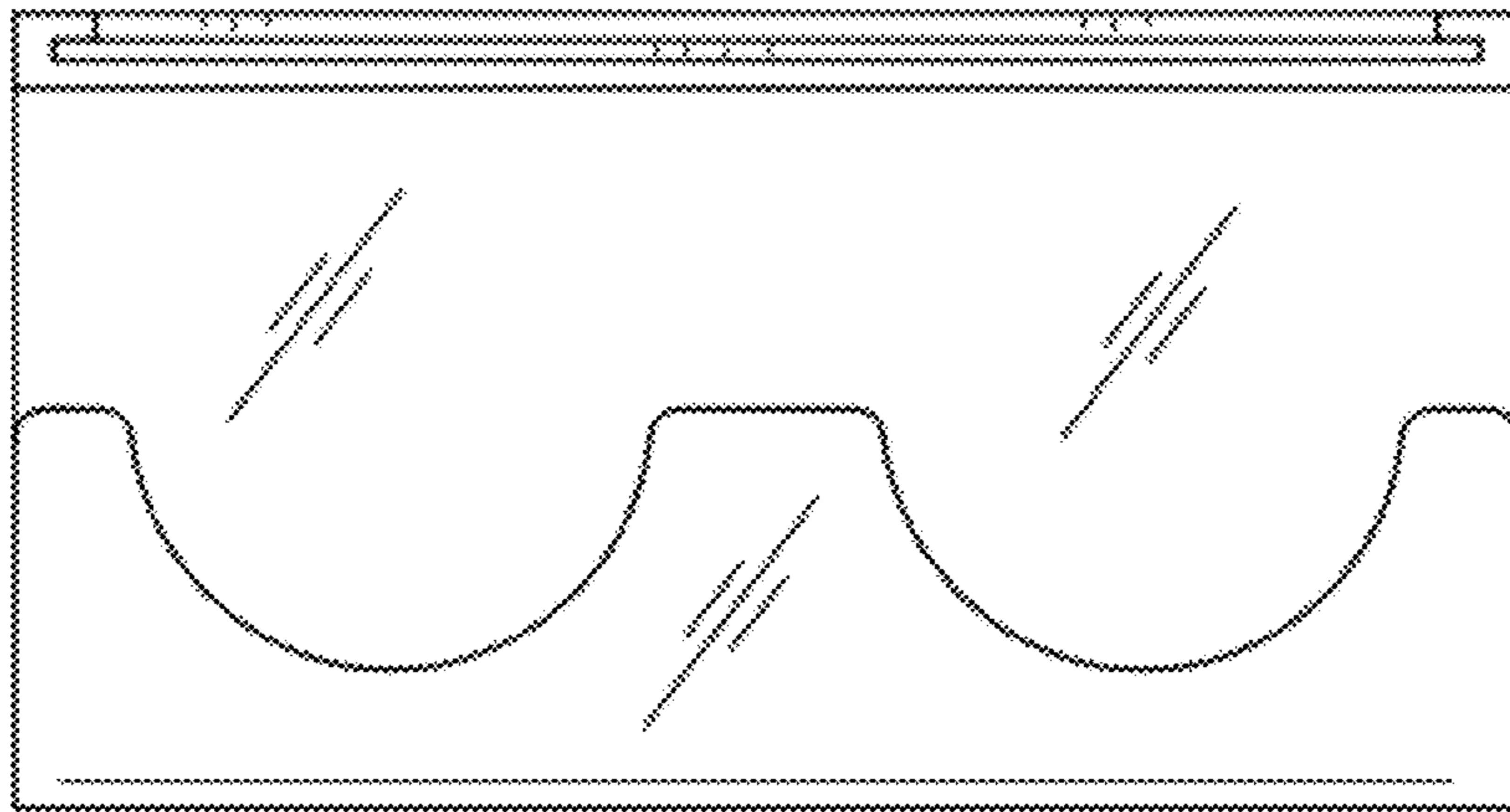


FIG. 4

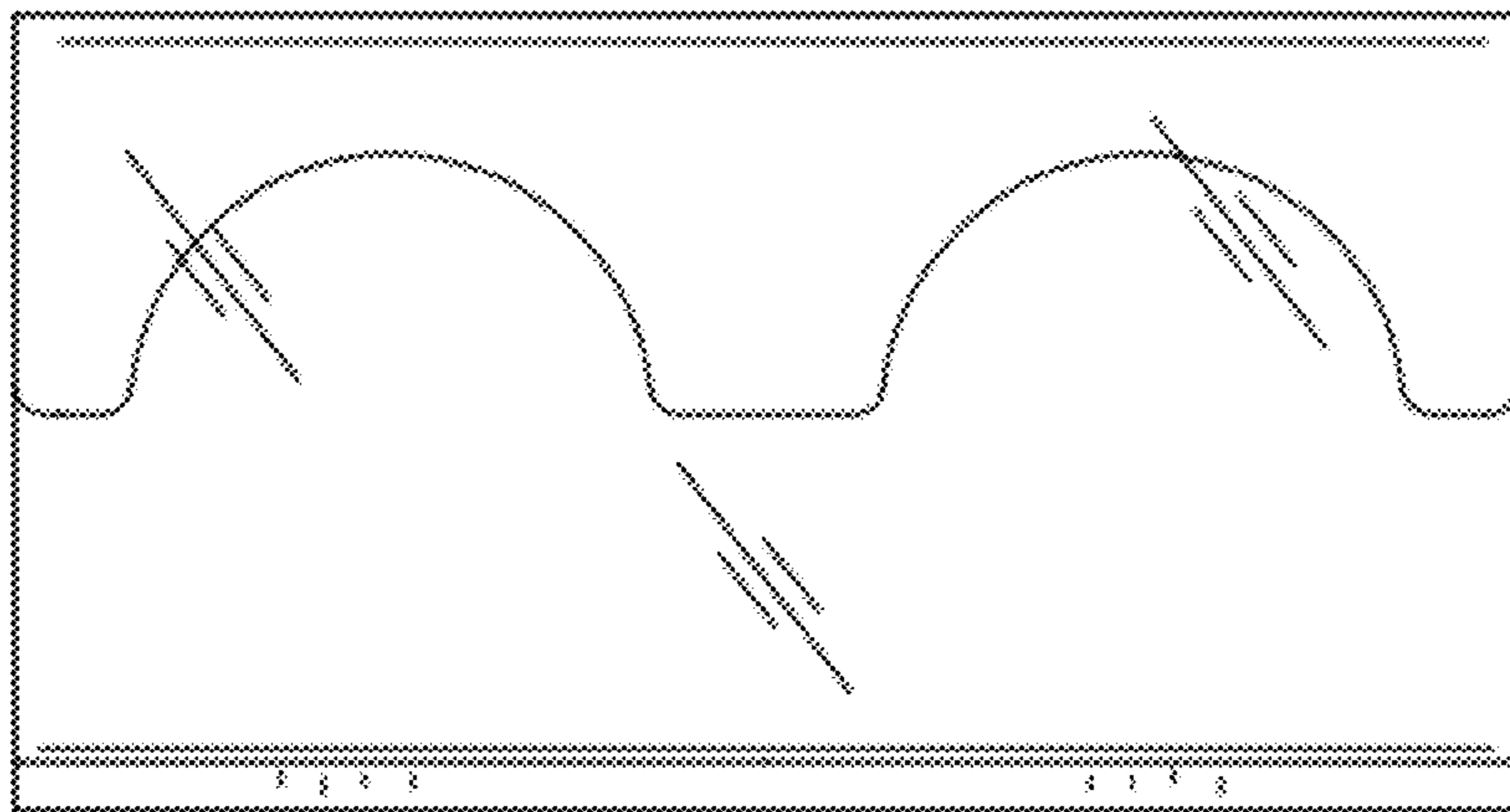


FIG. 5

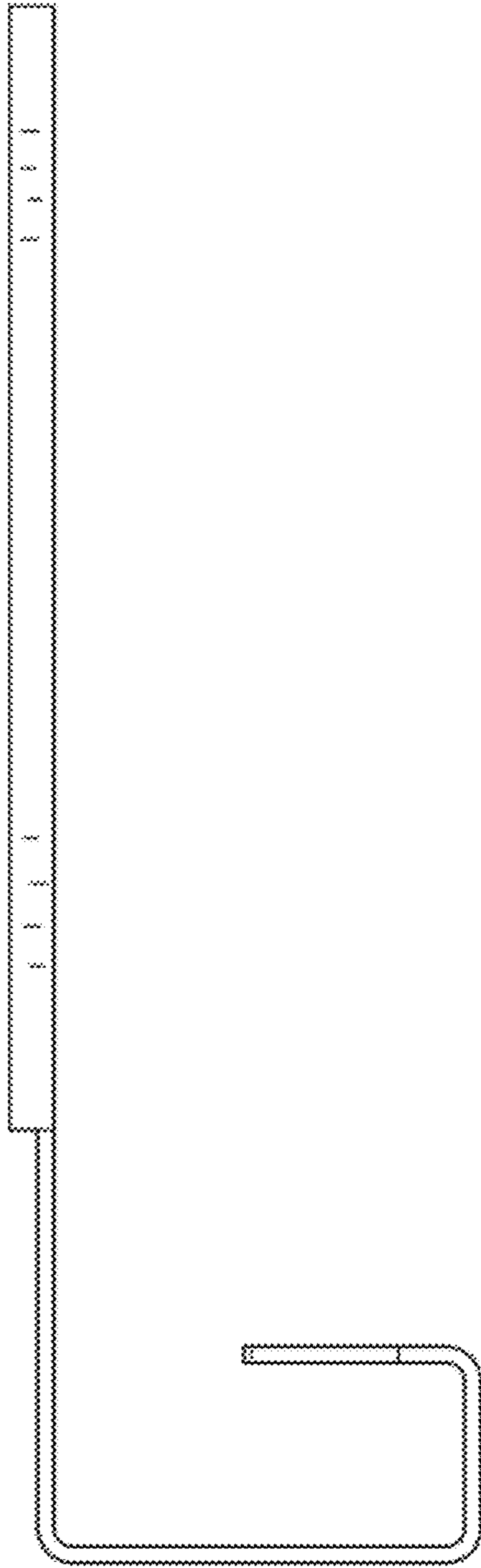


FIG. 6

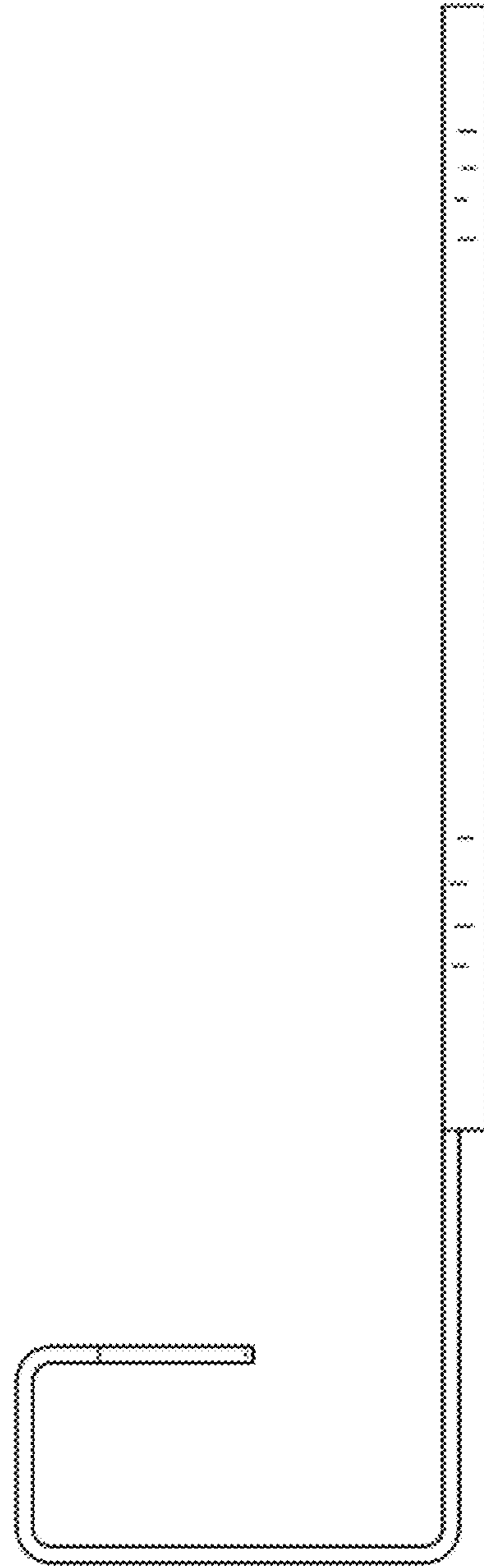


FIG. 7