

US00D660360S

(12) **United States Design Patent**
Richter

(10) **Patent No.:** **US D660,360 S**

(45) **Date of Patent:** **** May 22, 2012**

(54) **RETAIL DISPLAY**

(75) Inventor: **Gary M. Richter**, Waukesha, WI (US)

(73) Assignee: **DCI Marketing, Inc.**, Milwaukee, WI (US)

(**) Term: **14 Years**

(21) Appl. No.: **29/404,795**

(22) Filed: **Oct. 25, 2011**

D537,883 S	3/2007	Gunter et al.	
D574,893 S	8/2008	Bucolo et al.	
D607,059 S *	12/2009	Chida	D20/43
D650,015 S *	12/2011	Richter	D20/10
2002/0105804 A1	8/2002	Li	
2009/0290350 A1	11/2009	Zhao et al.	

* cited by examiner

Primary Examiner — Mary Ann Calabrese

(74) *Attorney, Agent, or Firm* — Andrew C. Landsman; Godfrey & Kahn, S.C.

Related U.S. Application Data

(62) Division of application No. 29/385,084, filed on Feb. 8, 2011.

(51) **LOC (9) Cl.** **20-02**

(52) **U.S. Cl.** **D20/10; D20/27; D20/43**

(58) **Field of Classification Search** D20/10, D20/13-15, 18, 19, 21-27, 29, 39-43, 99; 40/1, 1.5, 1.6, 299.01, 446, 448, 452, 453, 40/538, 541, 542, 545-548, 553, 563, 564, 40/568, 570-574, 582, 584, 585, 594, 600, 40/605, 618, 624, 661.01; D10/109.1, 109.2; D18/4.4; 362/812; 428/203
See application file for complete search history.

(56) **References Cited**

U.S. PATENT DOCUMENTS

D161,715 S	1/1951	Siegel et al.	
3,039,217 A	6/1962	Stefanakis	
5,900,307 A *	5/1999	Barcikowski	428/203
D487,483 S *	3/2004	Chen	D20/19
D496,479 S	9/2004	Ashfield	
D500,091 S *	12/2004	Sjoberg	D20/43
D501,888 S *	2/2005	Arceta	D20/10
D528,146 S *	9/2006	Fitch	D18/4.4

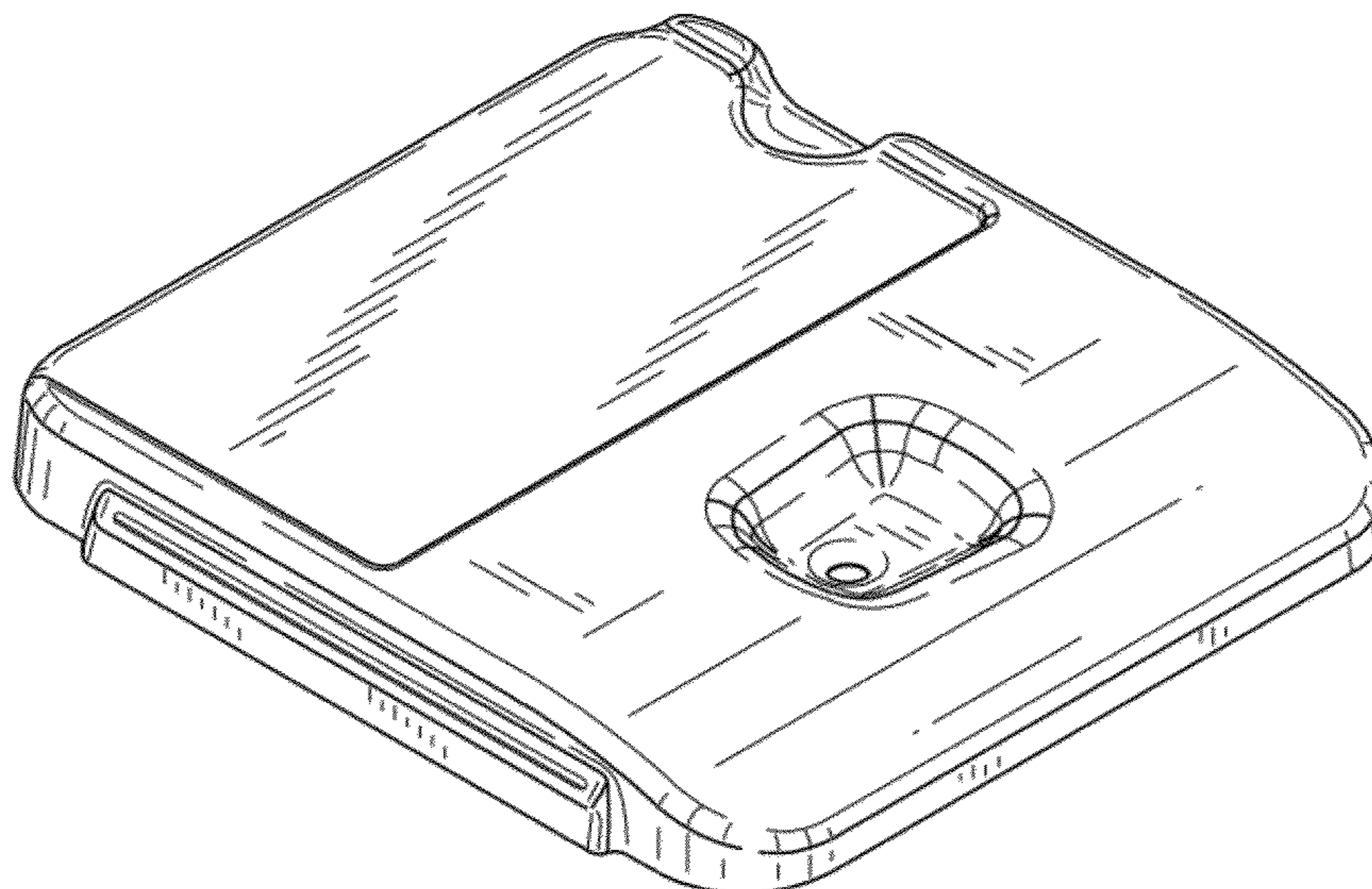
(57) **CLAIM**

I claim the ornamental design for a retail display, as shown and described.

DESCRIPTION

FIG. 1 is a perspective view of one embodiment of the retail display design;
FIG. 2 is an enlarged top view of the retail display of FIG. 1;
FIG. 3 is an enlarged bottom view of the retail display of FIG. 1;
FIG. 4 is an enlarged front view of the retail display of FIG. 1;
FIG. 5 is an enlarged left side elevation view of the retail display of FIG. 1;
FIG. 6 is an enlarged right side elevation view of the retail display of FIG. 1;
FIG. 7 is an enlarged back view of the retail display of FIG. 1;
and,
FIG. 8 is another perspective view of the retail display of FIG. 1 showing the back of the retail display.
The shaded lines in FIGS. 1-8 are for illustrative purposes only to show the contours of the claimed design and form no part of the claimed design.

1 Claim, 6 Drawing Sheets



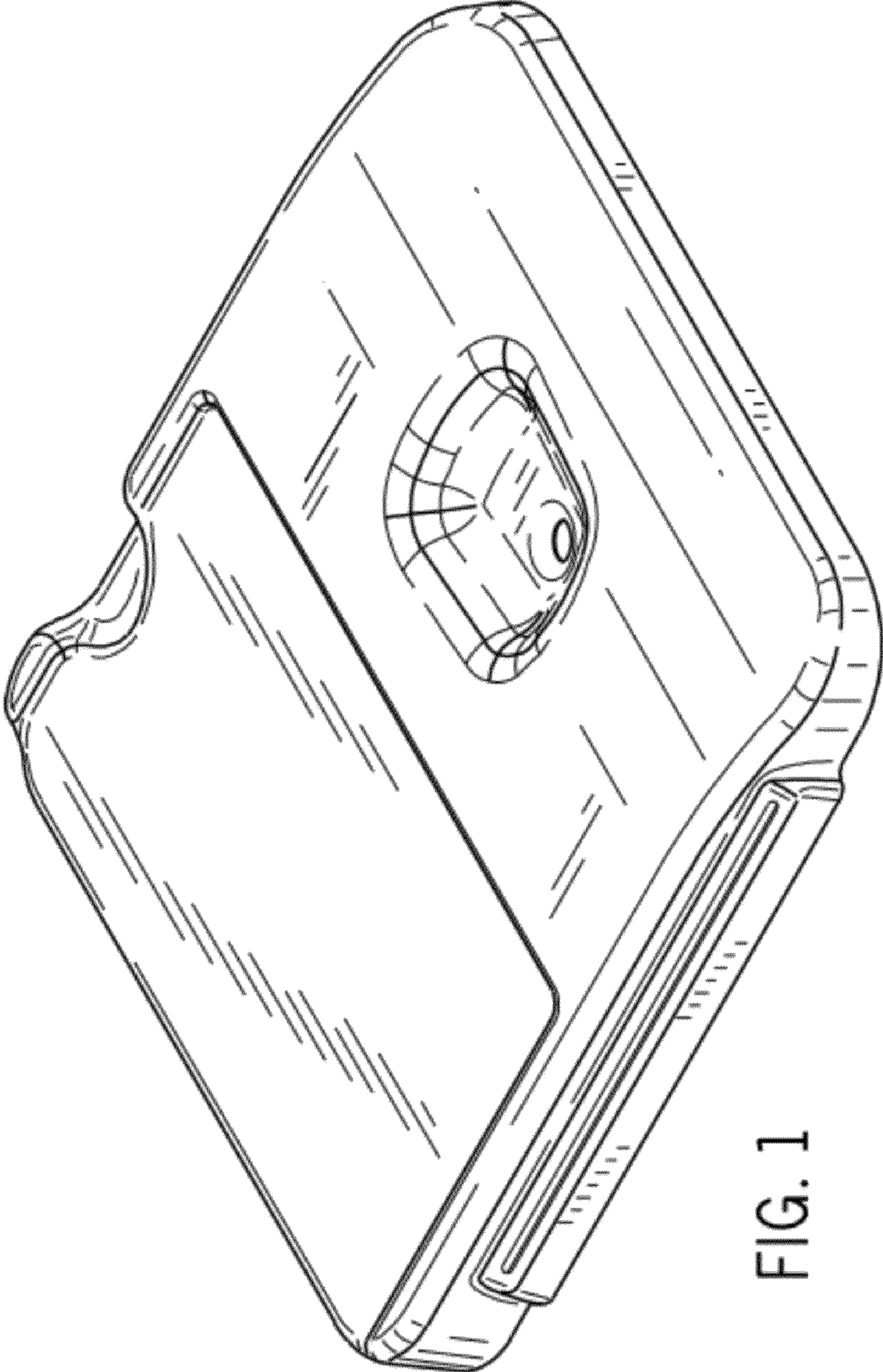


FIG. 1

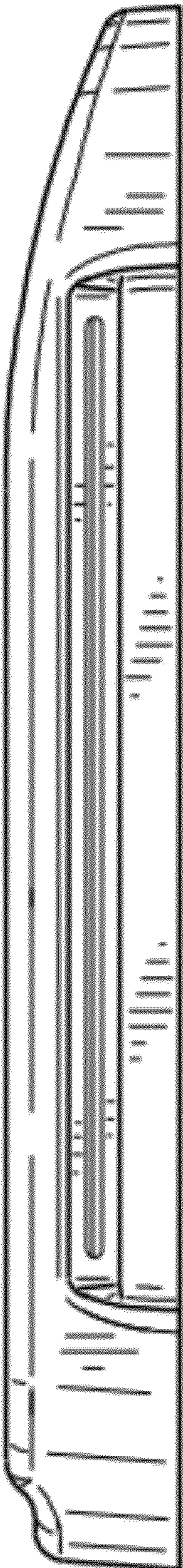


FIG. 2

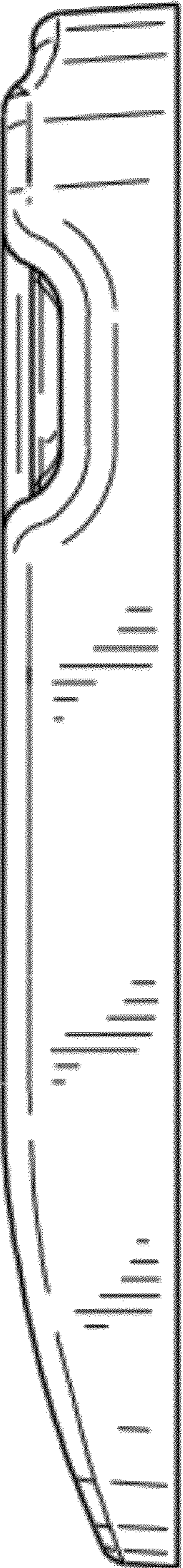


FIG. 3

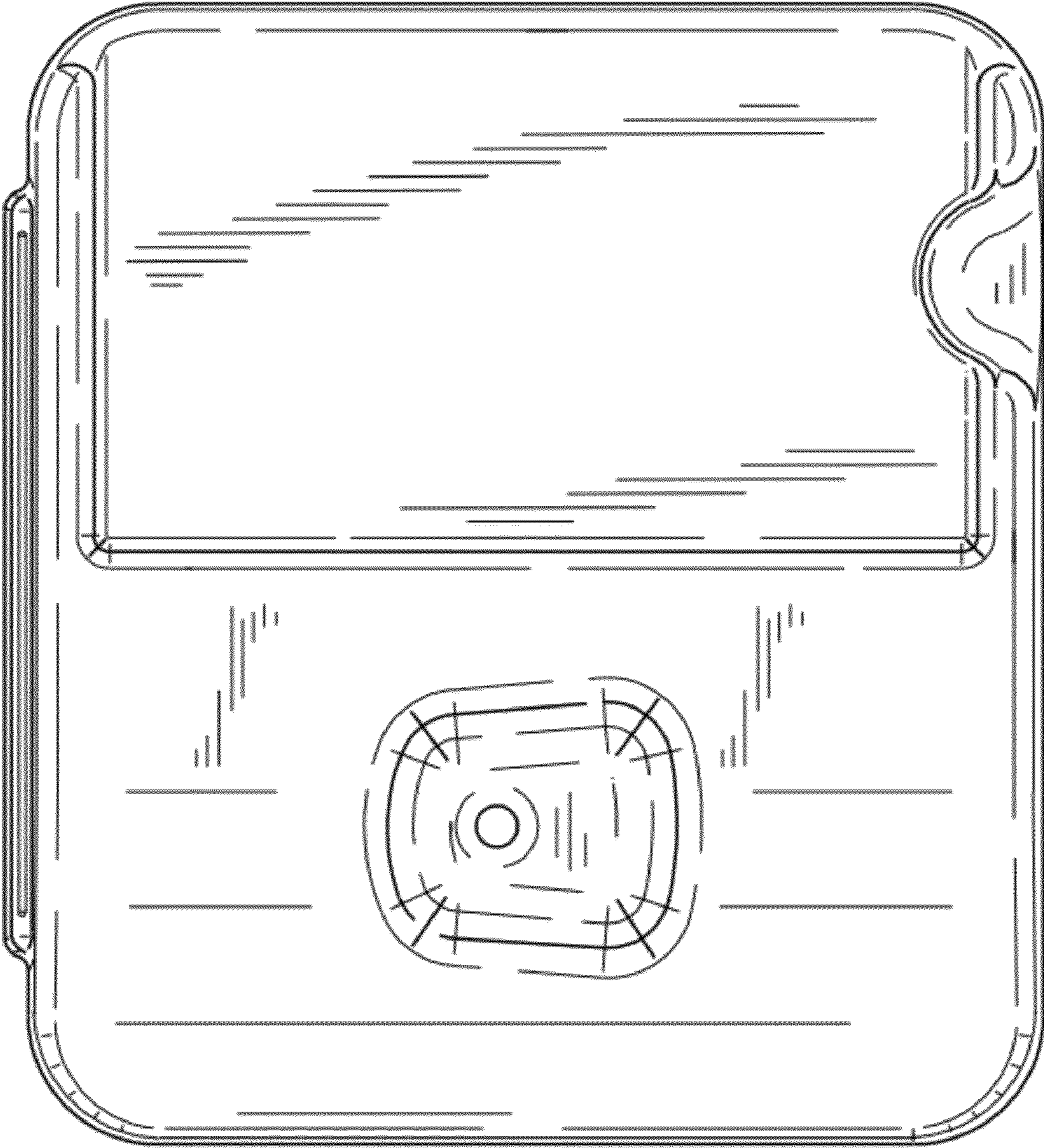


FIG. 4

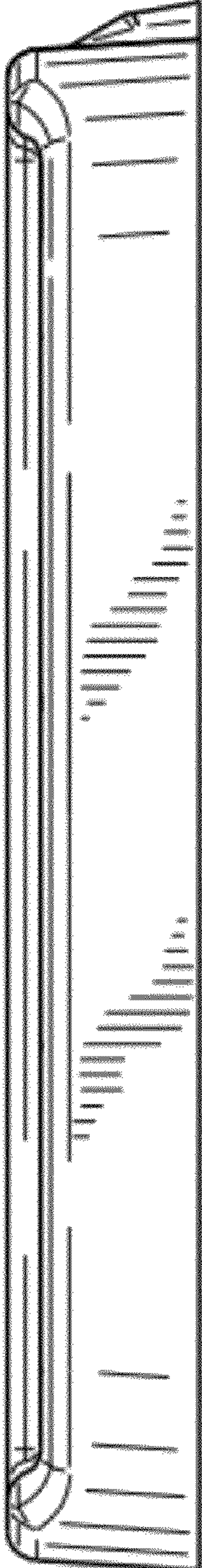


FIG. 5

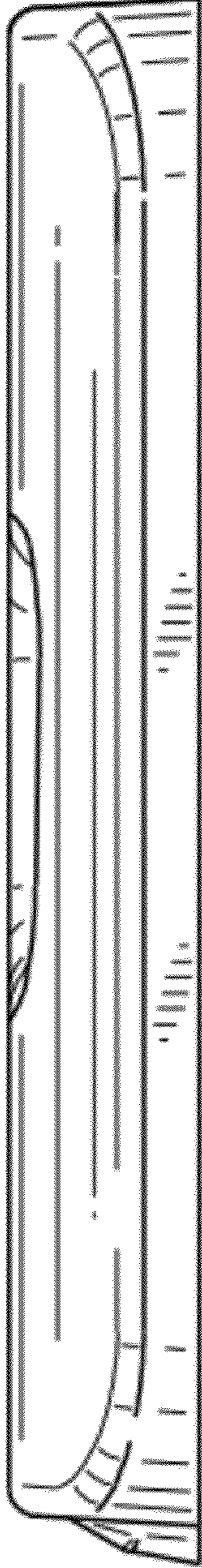


FIG. 6

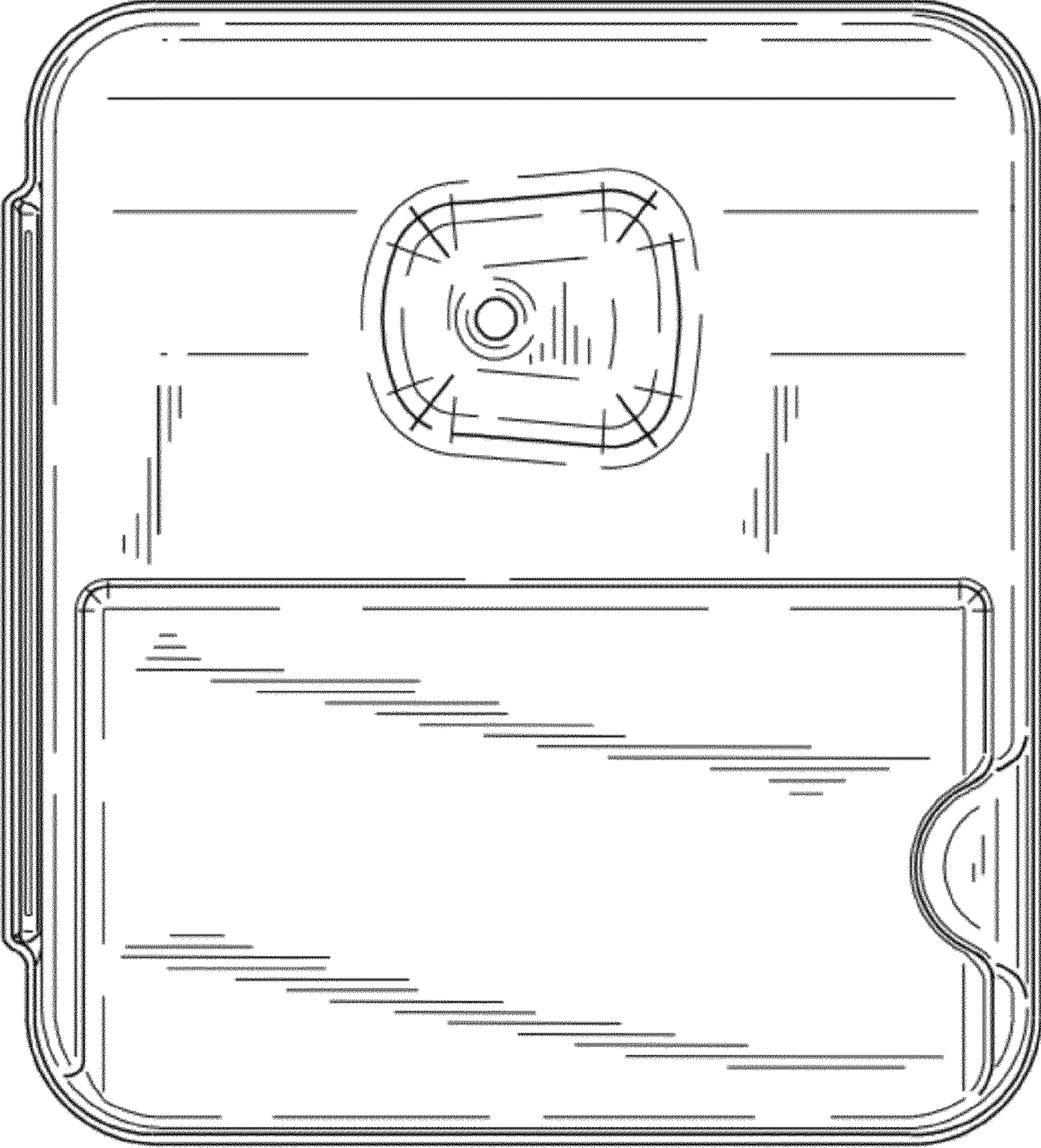


FIG. 7

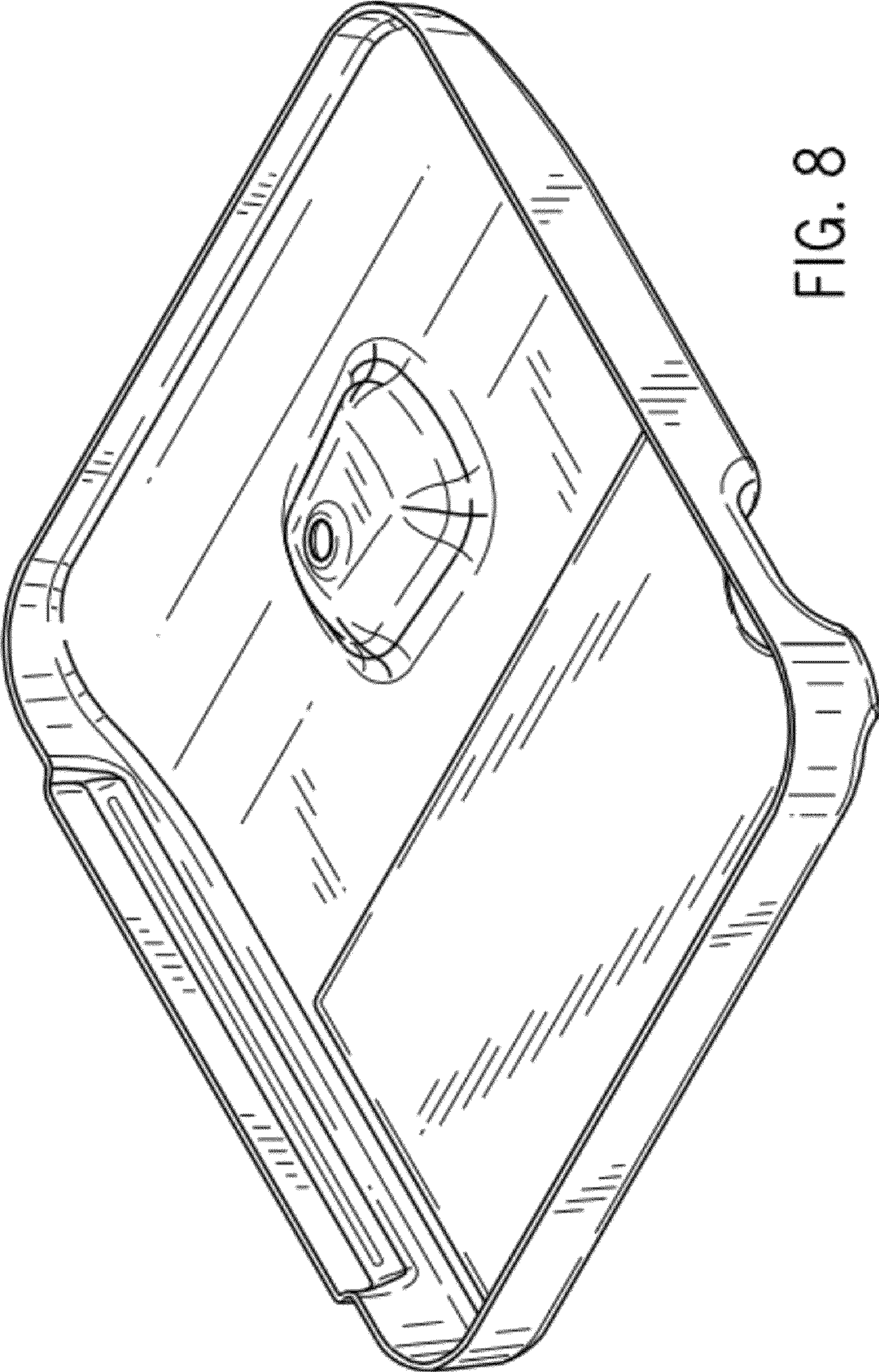


FIG. 8