

US00D660354S

(12) **United States Design Patent**
Plummer et al.

(10) **Patent No.:** **US D660,354 S**

(45) **Date of Patent:** **** May 22, 2012**

(54) **FILTER MODULE FOR PRINTING MACHINE**

(75) Inventors: **Marc Plummer**, Cambridgeshire (GB);
Terry Potter, Cambridgeshire (GB)

(73) Assignee: **Linx Printing Technologies Limited**,
Cambridgeshire (GB)

(**) Term: **14 Years**

(21) Appl. No.: **29/383,196**

(22) Filed: **Jan. 13, 2011**

(30) **Foreign Application Priority Data**

Jul. 16, 2010 (EM) 001732660-0001

(51) **LOC (9) Cl.** **18-02**

(52) **U.S. Cl.** **D18/56**

(58) **Field of Classification Search** D18/56;
347/86-87

See application file for complete search history.

(56) **References Cited**

U.S. PATENT DOCUMENTS

4,639,748	A *	1/1987	Drake et al.	347/67
6,260,957	B1 *	7/2001	Corley et al.	347/63
7,364,285	B2 *	4/2008	Murad et al.	347/94
D609,272	S *	2/2010	Lecheheb et al.	D18/56
D611,531	S *	3/2010	Hatasa et al.	D18/56
7,901,064	B2 *	3/2011	Urayama et al.	347/93
2007/0064069	A1 *	3/2007	Murad et al.	347/84

2009/0179977	A1 *	7/2009	Brown et al.	347/93
2010/0277559	A1 *	11/2010	Brown et al.	347/93
2011/0041714	A1 *	2/2011	Boettcher	101/335

* cited by examiner

Primary Examiner — Cathy A MacCormac

(74) *Attorney, Agent, or Firm* — TraskBritt

(57) **CLAIM**

The ornamental design for a filter module for printing machine, as shown and described.

DESCRIPTION

FIG. 1 is a front perspective view of a filter module for printing machine showing our new design;

FIG. 2 is a rear perspective view of the filter module for printing machine of FIG. 1;

FIG. 3 is a front view of the filter module for printing machine of FIG. 1;

FIG. 4 is a right side view (the left side view being a mirror image of the right side view) of the filter module for printing machine of FIG. 1;

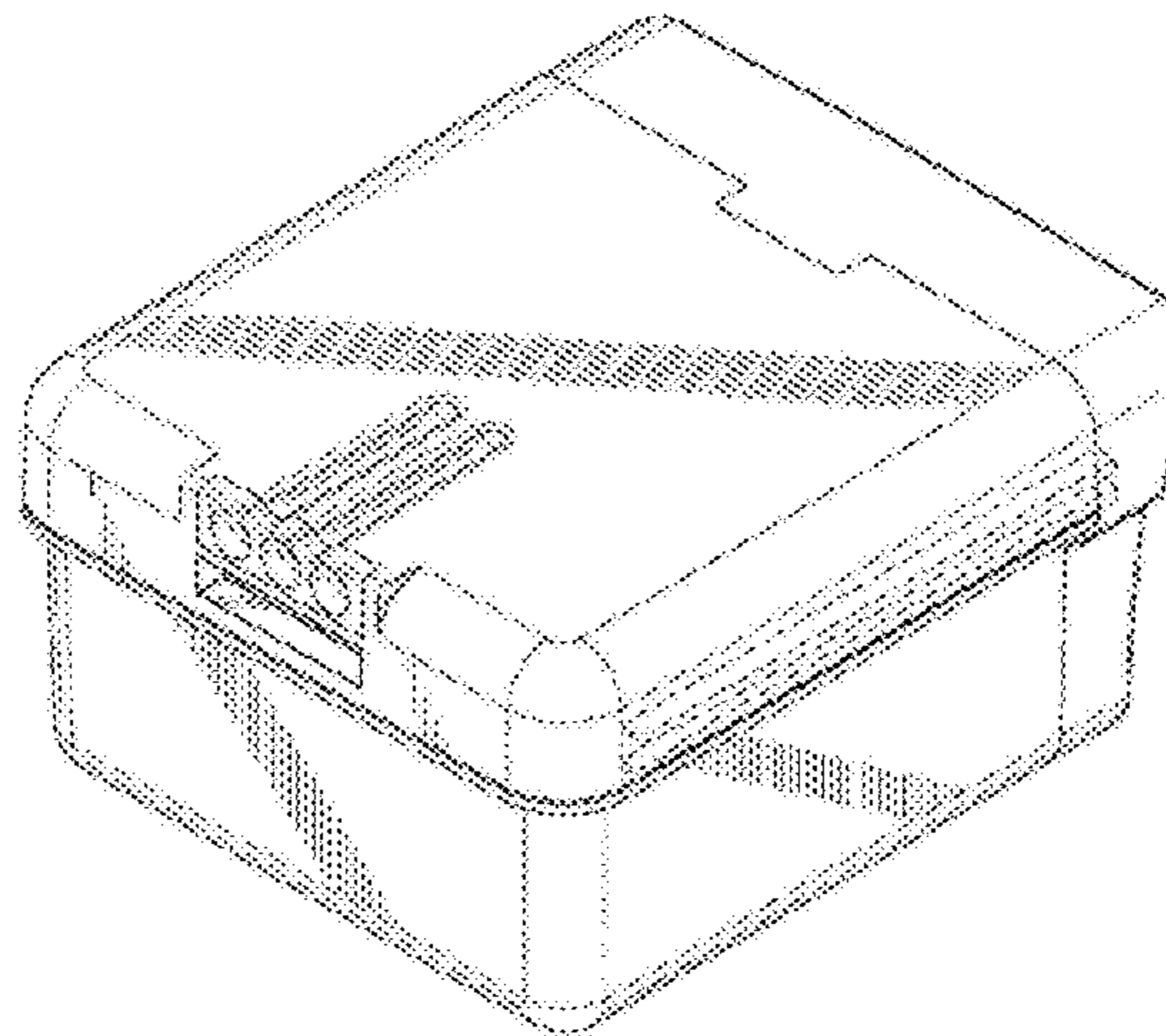
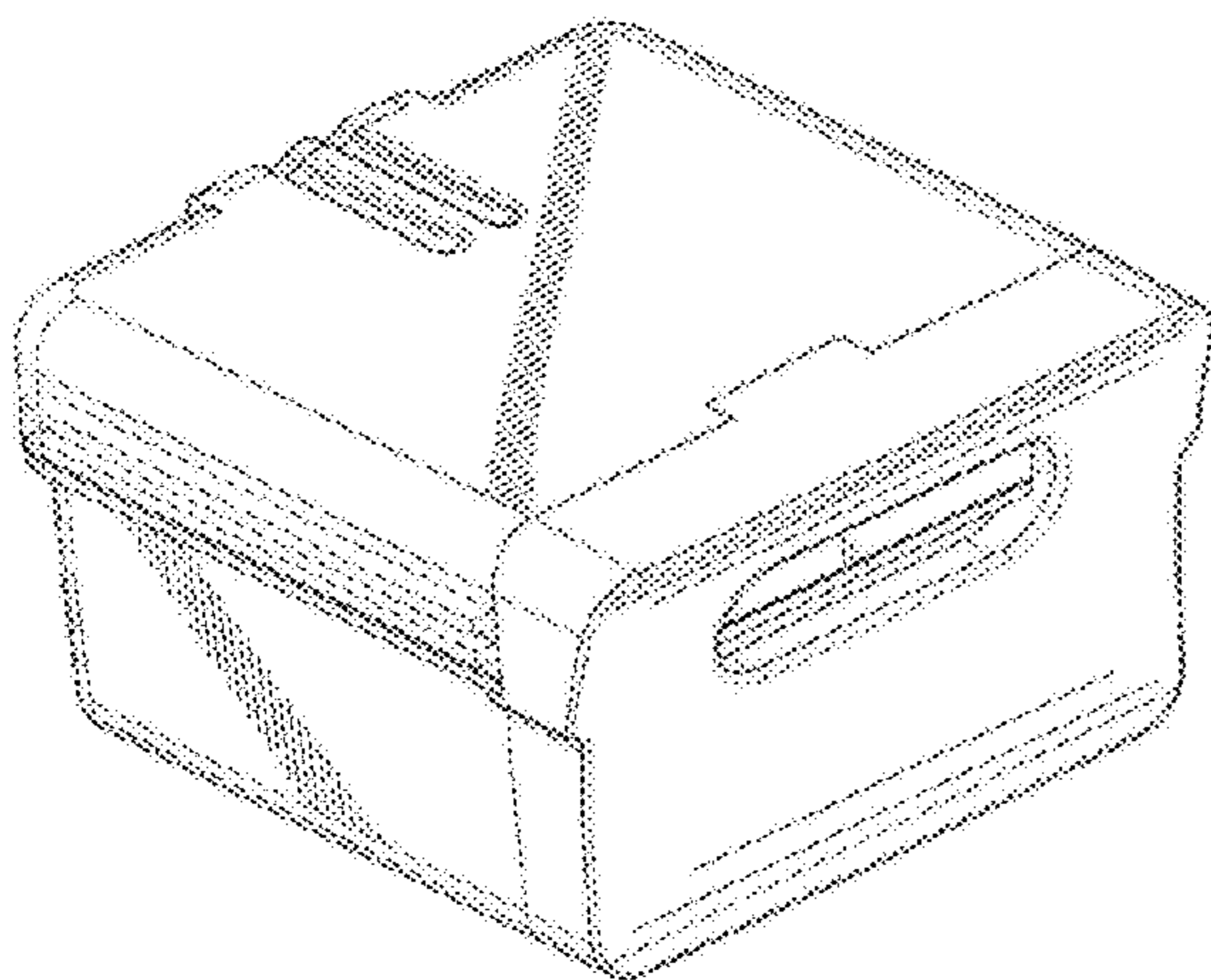
FIG. 5 is a rear view of the filter module for printing machine of FIG. 1;

FIG. 6 is a top view of the filter module for printing machine of FIG. 1; and,

FIG. 7 is a bottom view of the filter module for printing machine of FIG. 1.

The broken line representations in FIGS. 1 through 7 are for illustrative purposes only and form no part of the claimed design.

1 Claim, 6 Drawing Sheets



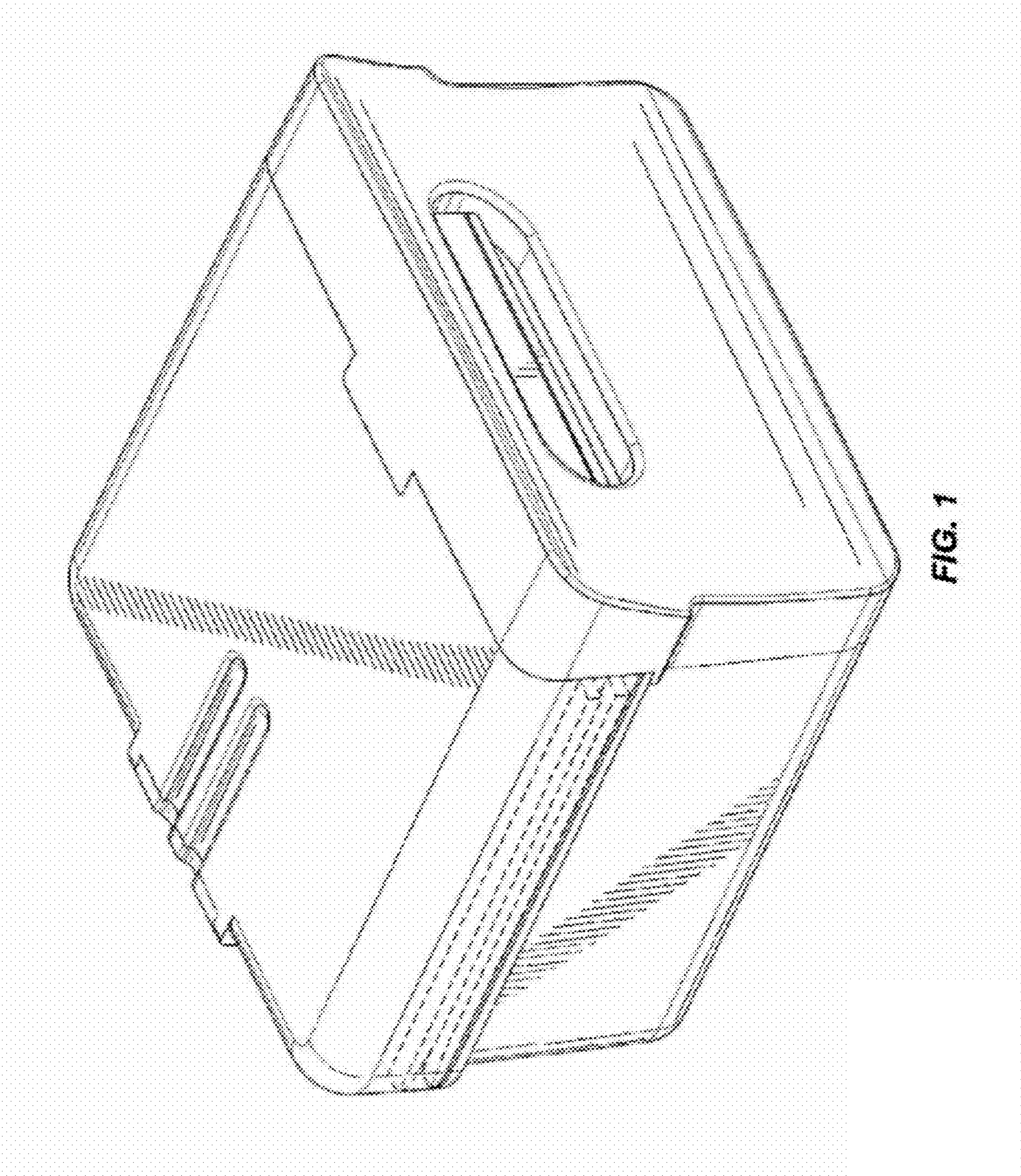
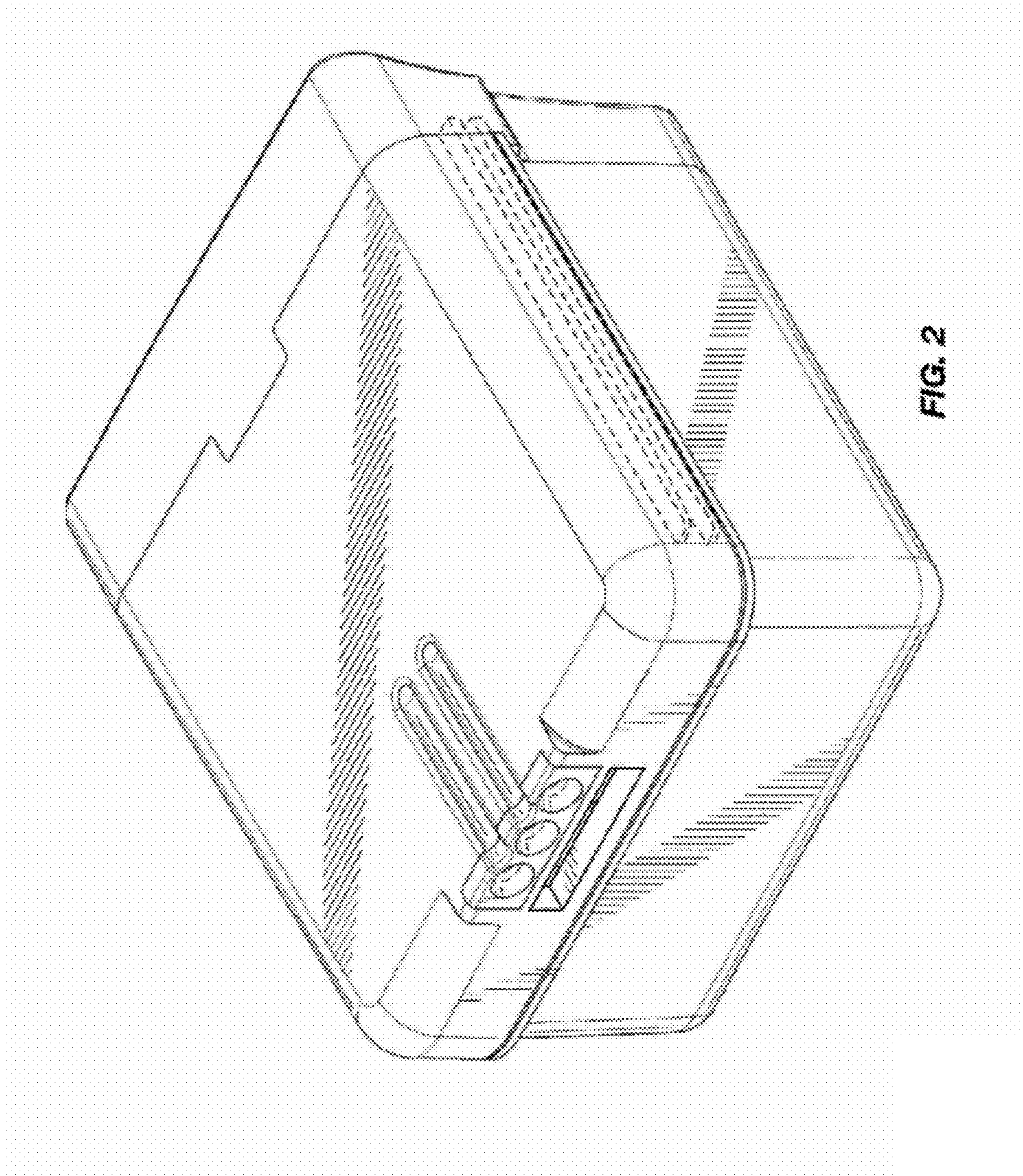


FIG. 1



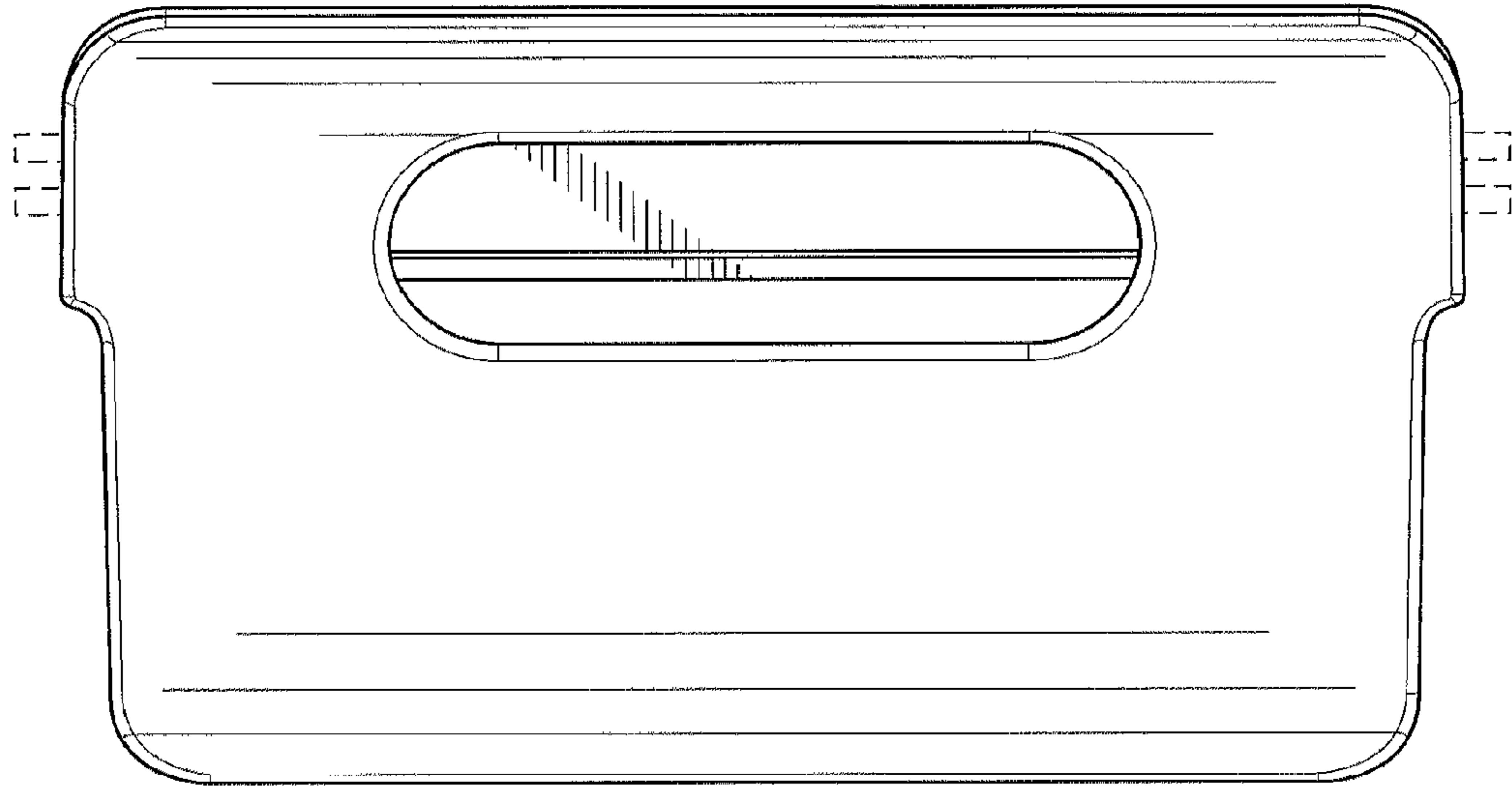


FIG. 3

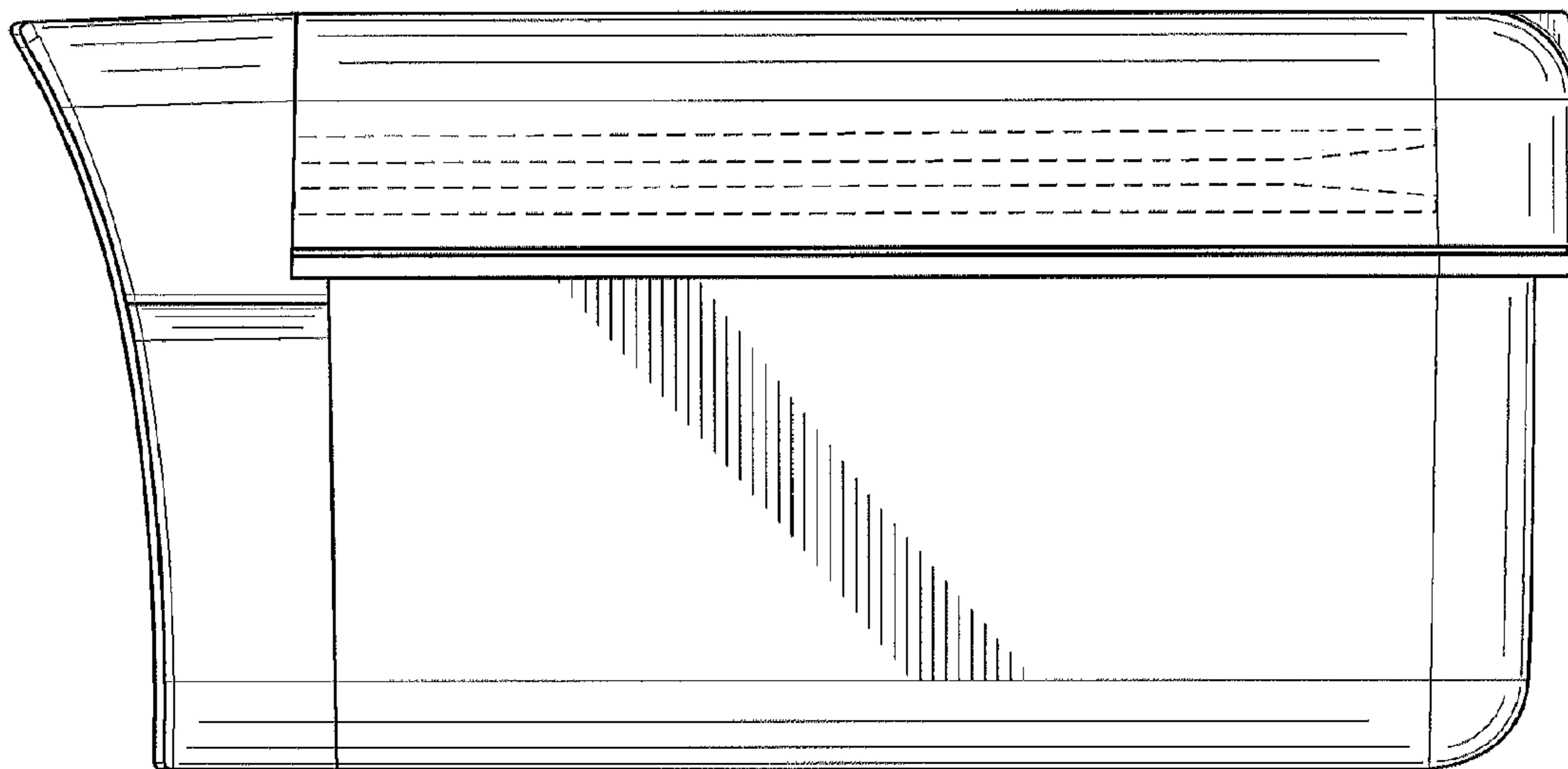


FIG. 4

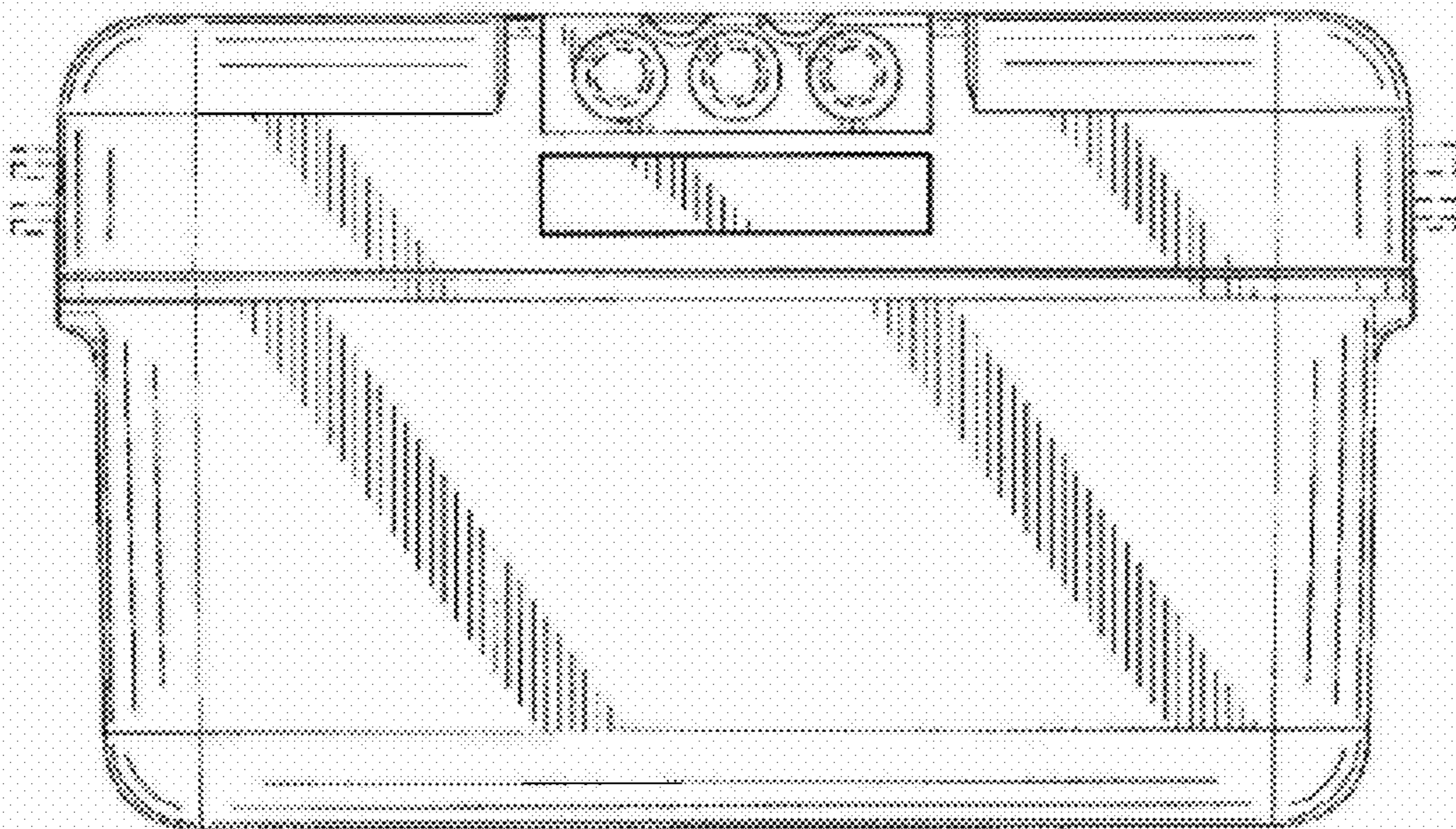


FIG. 5

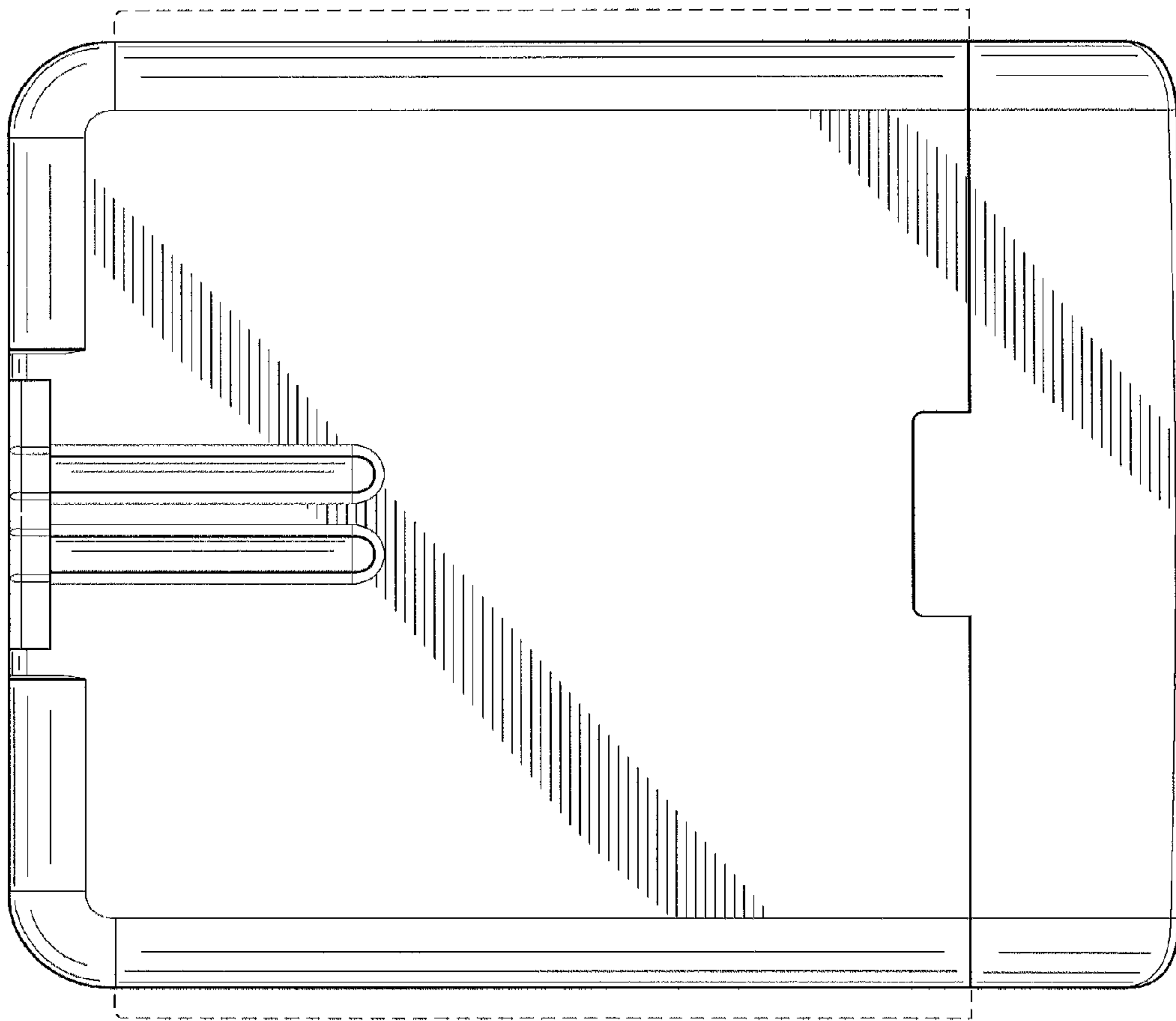


FIG. 6

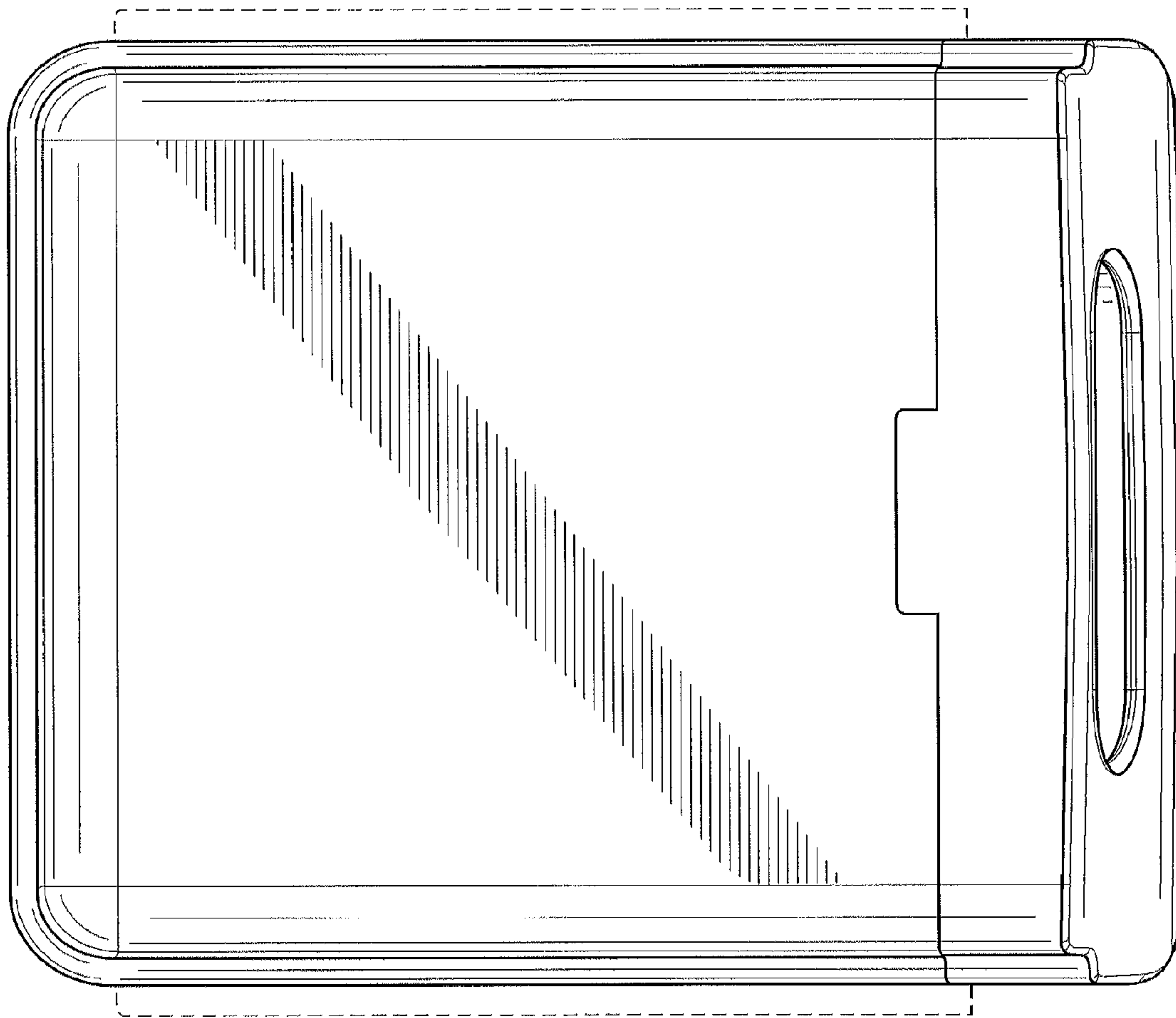


FIG. 7