



US00D660352S

(12) **United States Design Patent**
Sodeyama et al.

(10) **Patent No.:** **US D660,352 S**
(45) **Date of Patent:** **** May 22, 2012**

(54) **TAPE CARTRIDGE FOR A LABEL PRINTER**

(75) Inventors: **Hideo Sodeyama**, Matsumoto (JP);
Kenichi Nakajima, Shimosuwa-machi
(JP)

(73) Assignee: **Seiko Epson Corporation**, Tokyo (JP)

(**) Term: **14 Years**

(21) Appl. No.: **29/380,941**

(22) Filed: **Dec. 14, 2010**

(30) **Foreign Application Priority Data**

Jun. 16, 2010 (JP) 2010-014757

(51) **LOC (9) Cl.** **18-02**

(52) **U.S. Cl.** **D18/56**

(58) **Field of Classification Search** D18/12,
D18/43, 56; 400/194-196, 207-208, 234,
400/235.1, 247; 360/132

See application file for complete search history.

(56) **References Cited**

U.S. PATENT DOCUMENTS

D342,275 S * 12/1993 Cooper D18/56
D347,241 S * 5/1994 Watanabe et al.
D352,305 S * 11/1994 Cooper D18/56
D372,044 S * 7/1996 Ware et al. D18/56

5,674,017 A * 10/1997 Kitazawa 400/208
D423,566 S * 4/2000 Hosono
D435,589 S * 12/2000 Huss D18/56
D436,111 S * 1/2001 Hahn et al. D14/475
D527,419 S * 8/2006 Anbiru et al.

FOREIGN PATENT DOCUMENTS

JP 901102-1 S 6/1994
JP 901102 S 6/1994
JP 901102-2 S 1/1998
JP 1251281 S 9/2005

* cited by examiner

Primary Examiner — Cathy A MacCormac

(57) **CLAIM**

The ornamental design for a tape cartridge for a label printer, as shown and described.

DESCRIPTION

FIG. 1 is a top, front and left side perspective view of a tape cartridge for a label printer showing our new design; FIG. 2 is a bottom, rear and right side perspective view thereof;

FIG. 3 is a front view thereof;

FIG. 4 is a rear view thereof;

FIG. 5 is a top plan view thereof;

FIG. 6 is a bottom plan view thereof;

FIG. 7 is a right side elevational view thereof; and,

FIG. 8 is a left side elevational view thereof.

The broken lines are for illustration only and form no part of the claimed design.

1 Claim, 6 Drawing Sheets

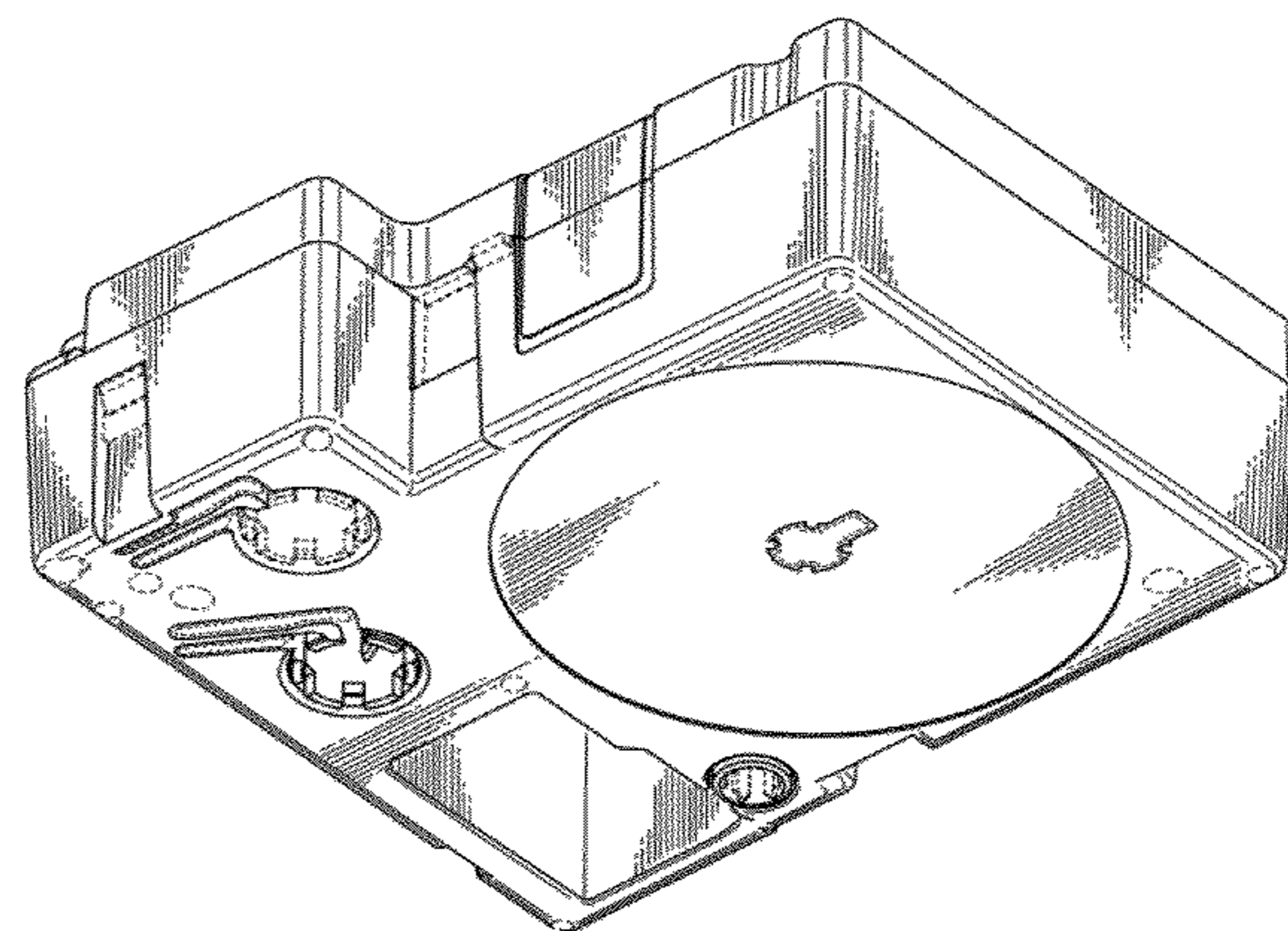
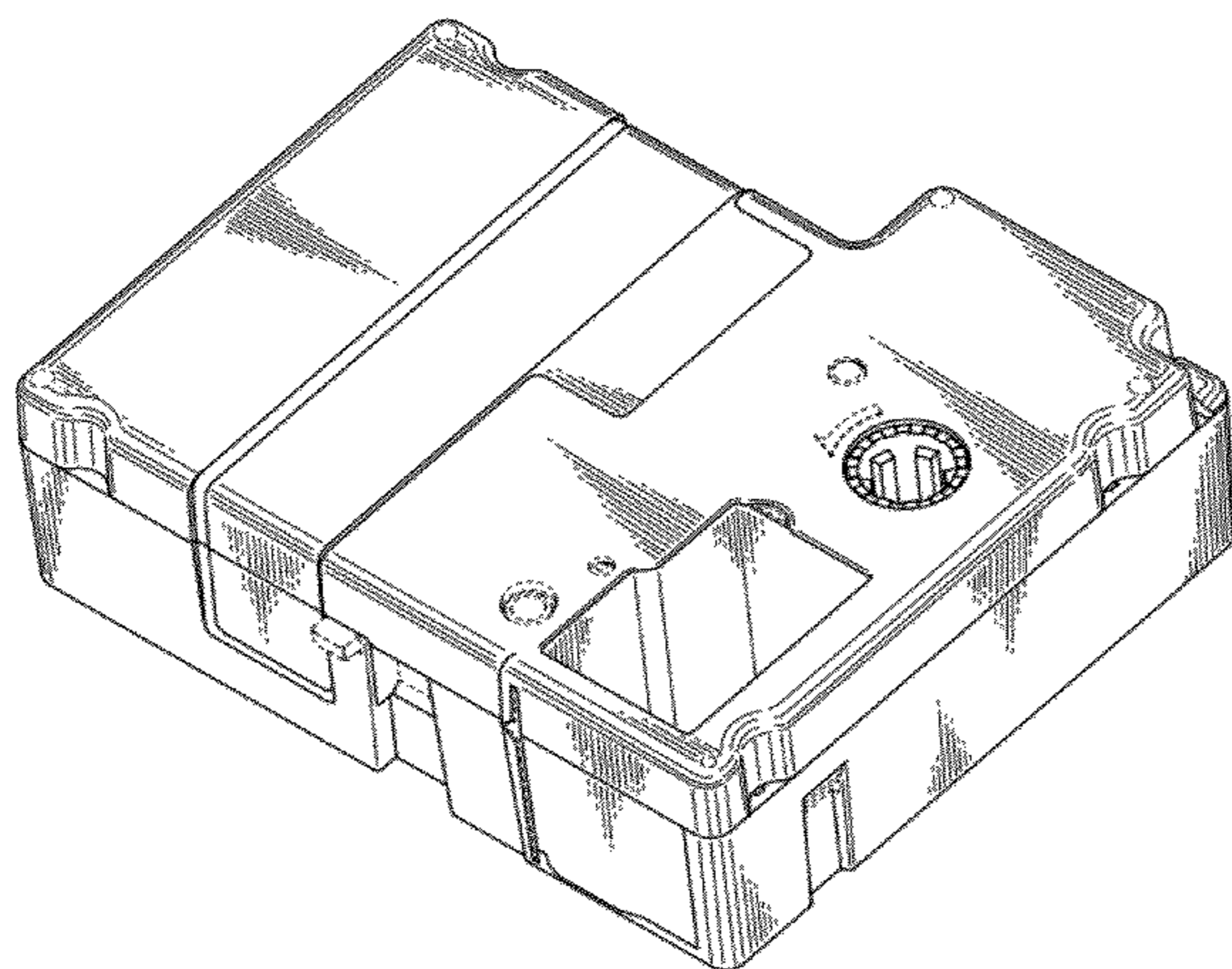


FIG. 1

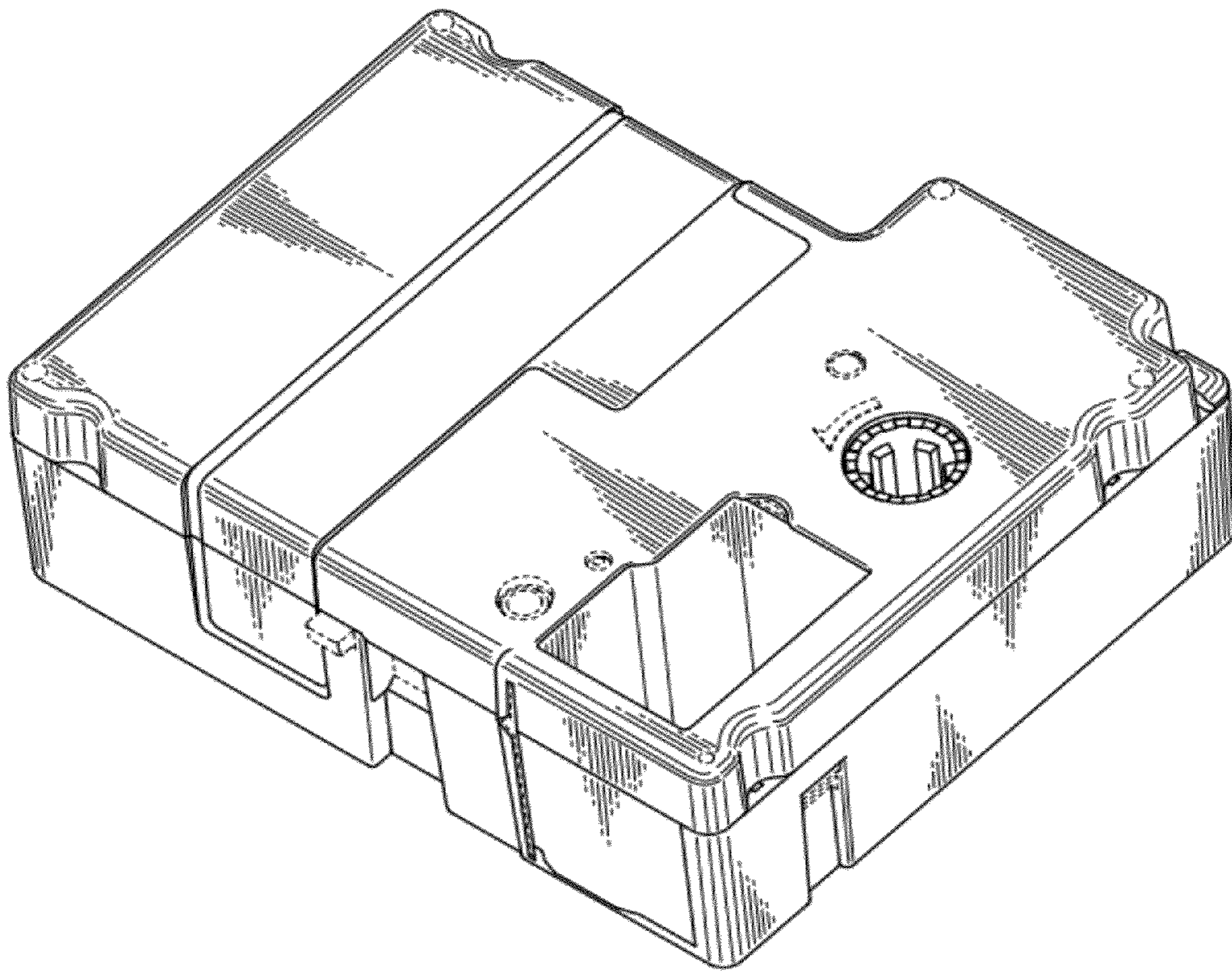


FIG. 2

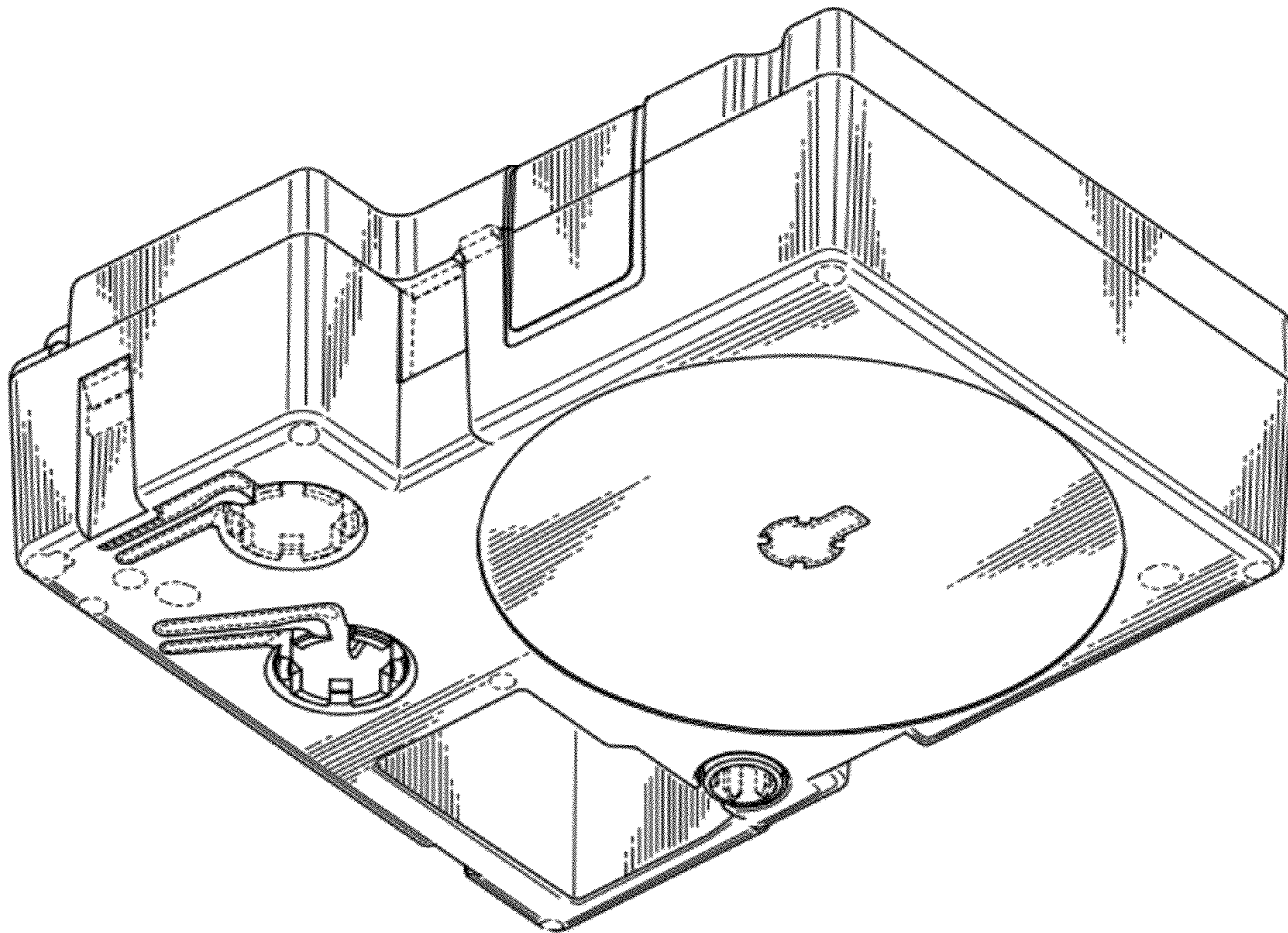


FIG. 3

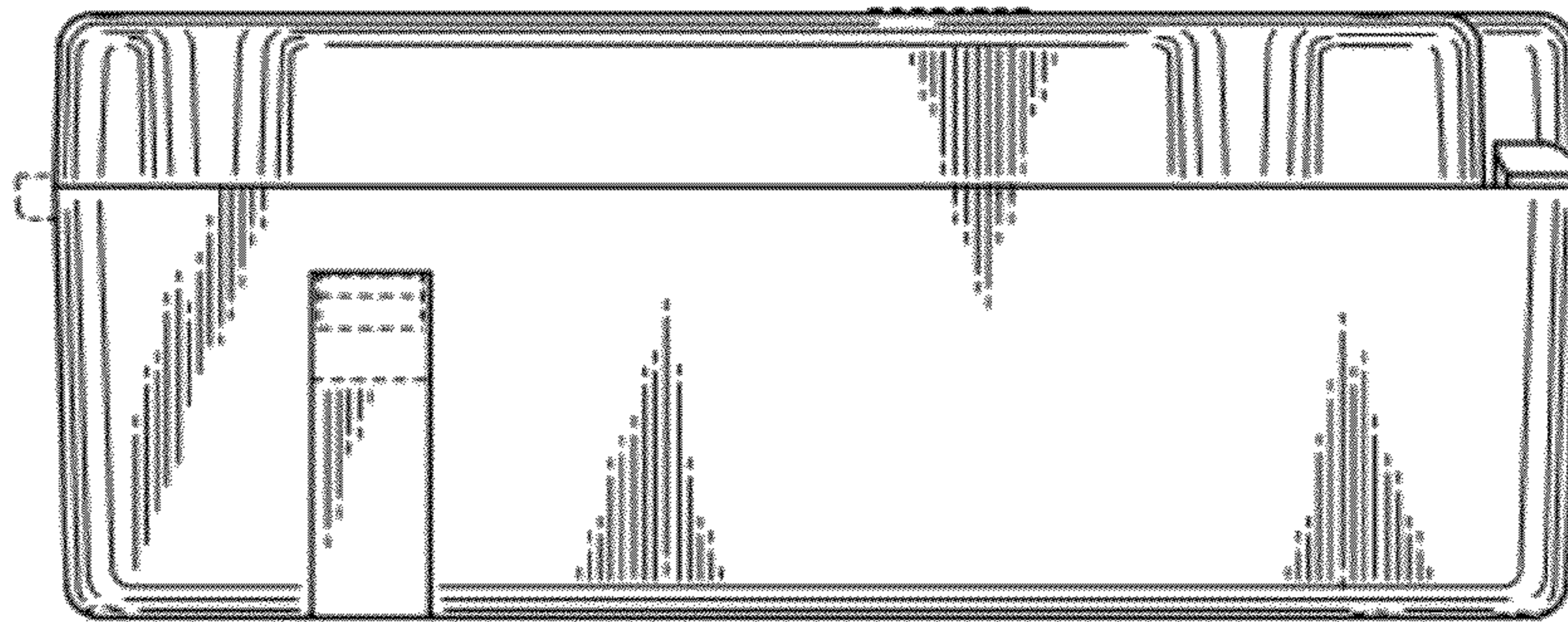


FIG. 4

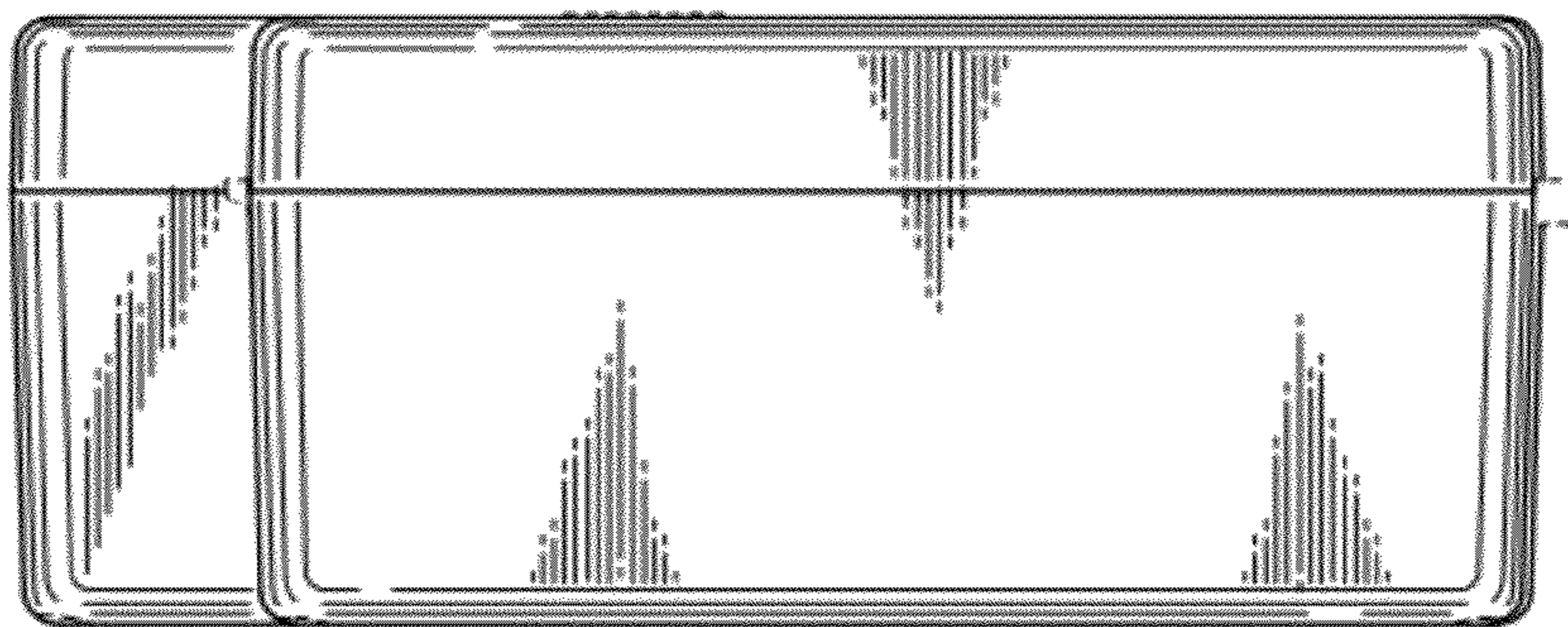


FIG. 5

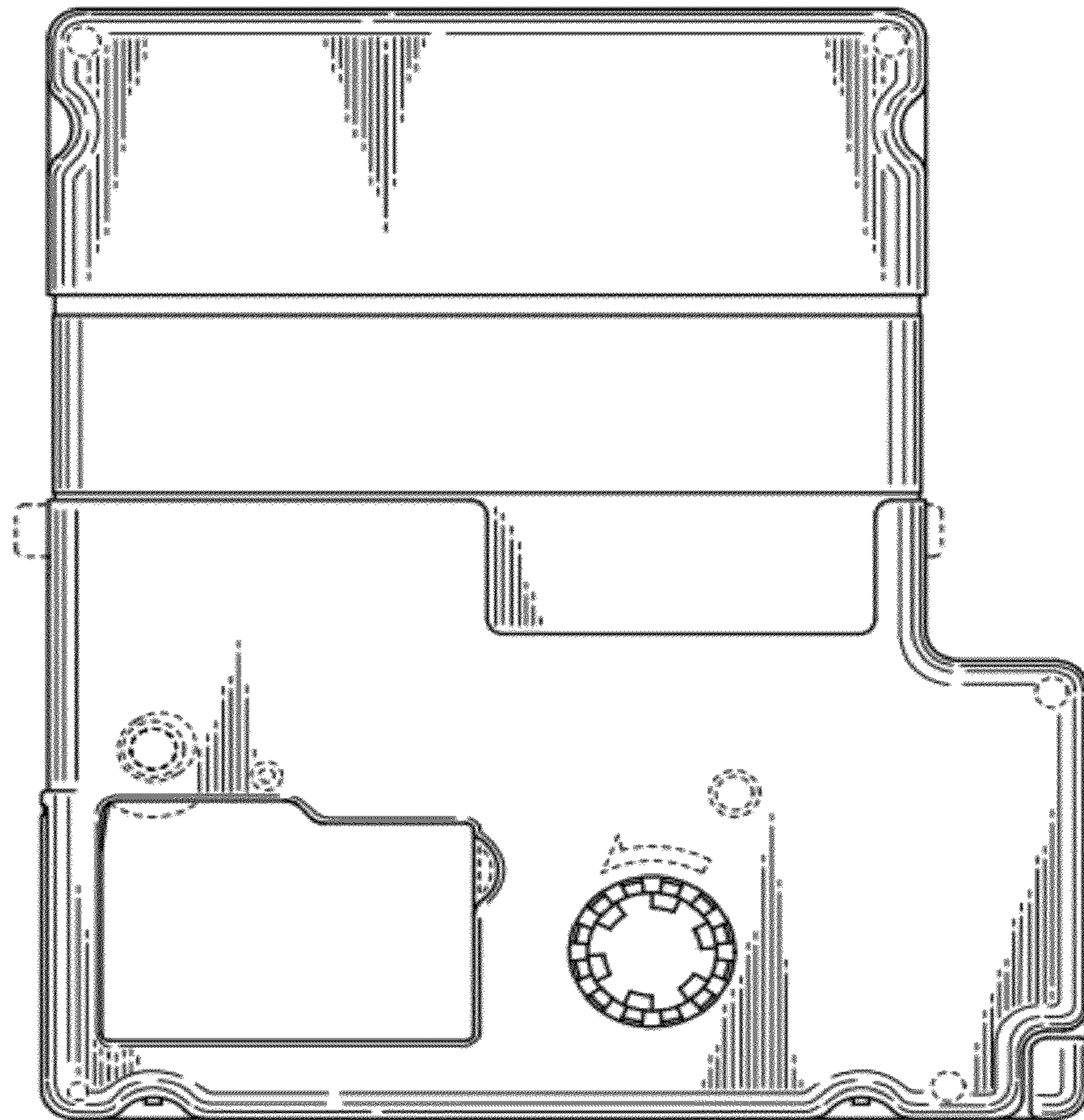


FIG. 6

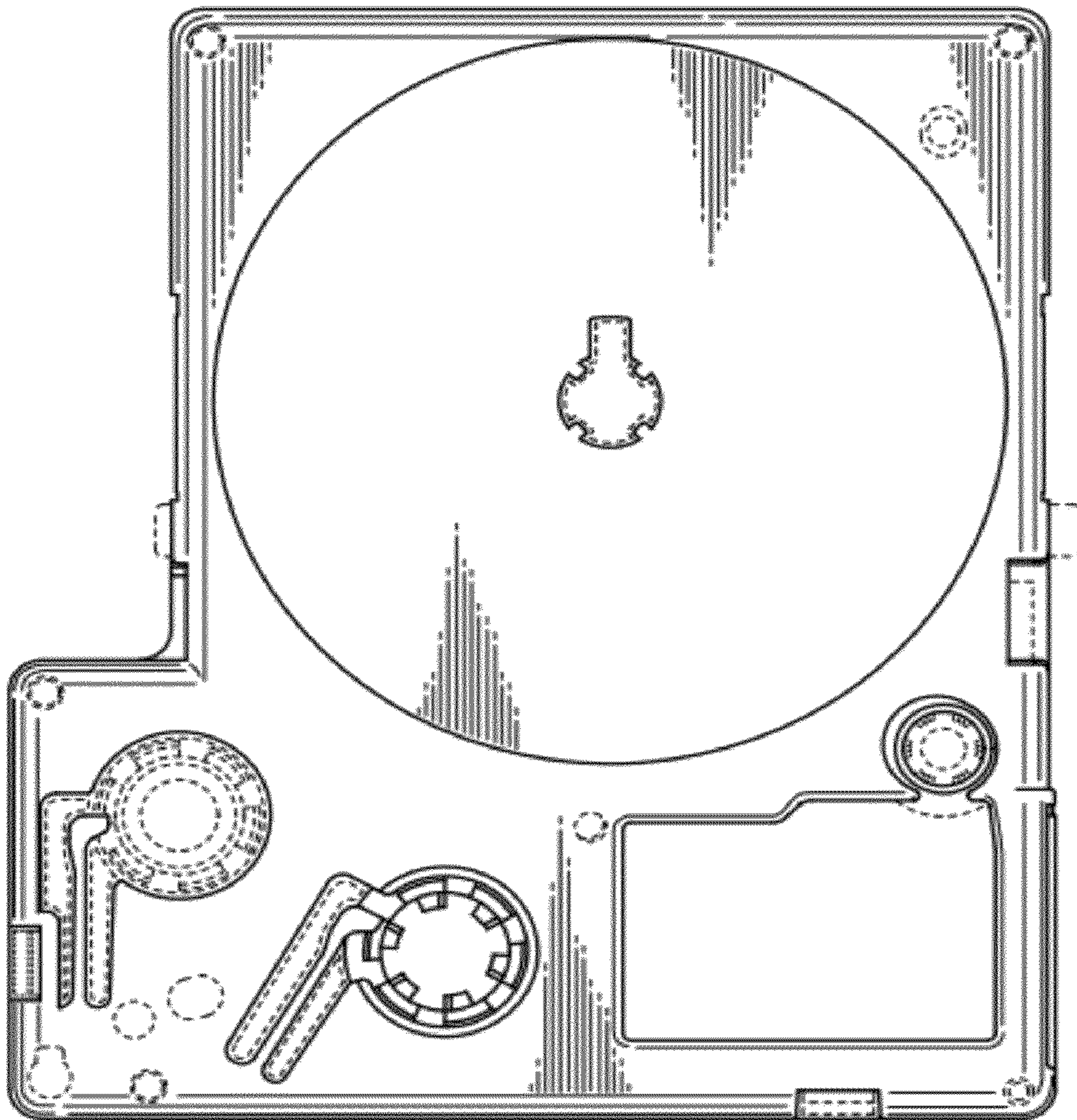


FIG. 7

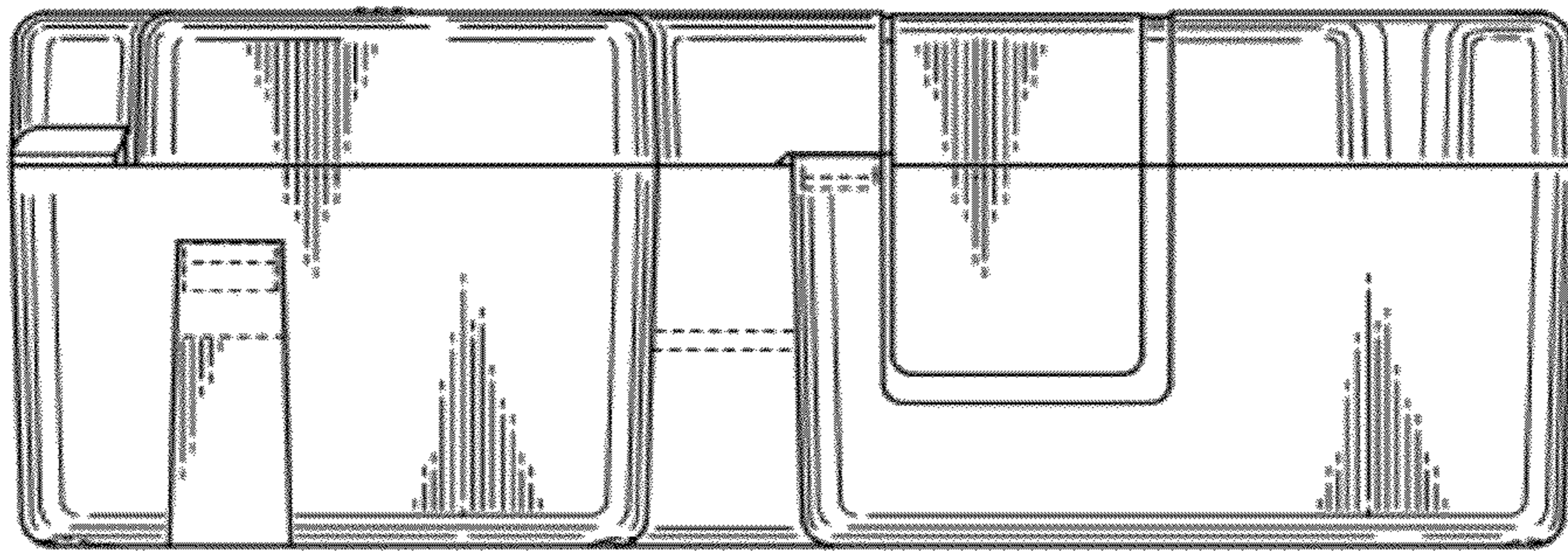


FIG. 8

