

US00D660351S

(12) **United States Design Patent**
Larson et al.

(10) **Patent No.:** **US D660,351 S**

(45) **Date of Patent:** **** May 22, 2012**

(54) **MULTI-FUNCTION IMAGING AND PRINTING DEVICE**

(75) Inventors: **David B. Larson**, Eagle, ID (US);
Michael V. Leman, Eagle, ID (US);
Da-Wei Huang, Shanghai (CN)

(73) Assignee: **Hewlett-Packard Development Company, L.P.**, Houston, TX (US)

(**) Term: **14 Years**

(21) Appl. No.: **29/377,025**

(22) Filed: **Oct. 15, 2010**

(51) **LOC (9) Cl.** **14-02**

(52) **U.S. Cl.** **D18/55**

(58) **Field of Classification Search** D14/420–425,
D14/463–470; D18/14, 19, 36–37, 50, 54,
D18/54.1, 55; 400/613, 613.1–613.4, 690,
400/690.1–690.4, 691–694

See application file for complete search history.

(56) **References Cited**

U.S. PATENT DOCUMENTS

D516,081 S * 2/2006 Takimoto D14/463
D532,450 S * 11/2006 Smith et al. D18/55
D536,372 S * 2/2007 Lim et al. D18/53

D550,279 S * 9/2007 Tani D18/50
D561,250 S * 2/2008 Smith et al. D18/55
D561,824 S * 2/2008 Park et al. D18/55
D579,973 S * 11/2008 Park et al. D18/55
D594,508 S * 6/2009 Joe et al. D18/55
D595,347 S * 6/2009 Tjin Wong Joe et al. D18/55
D596,226 S * 7/2009 Yamaguchi D18/55
D611,091 S * 3/2010 Ishikawa et al. D18/55
D642,212 S * 7/2011 Terenzio et al. D18/55

* cited by examiner

Primary Examiner — Cathy A MacCormac

(57) **CLAIM**

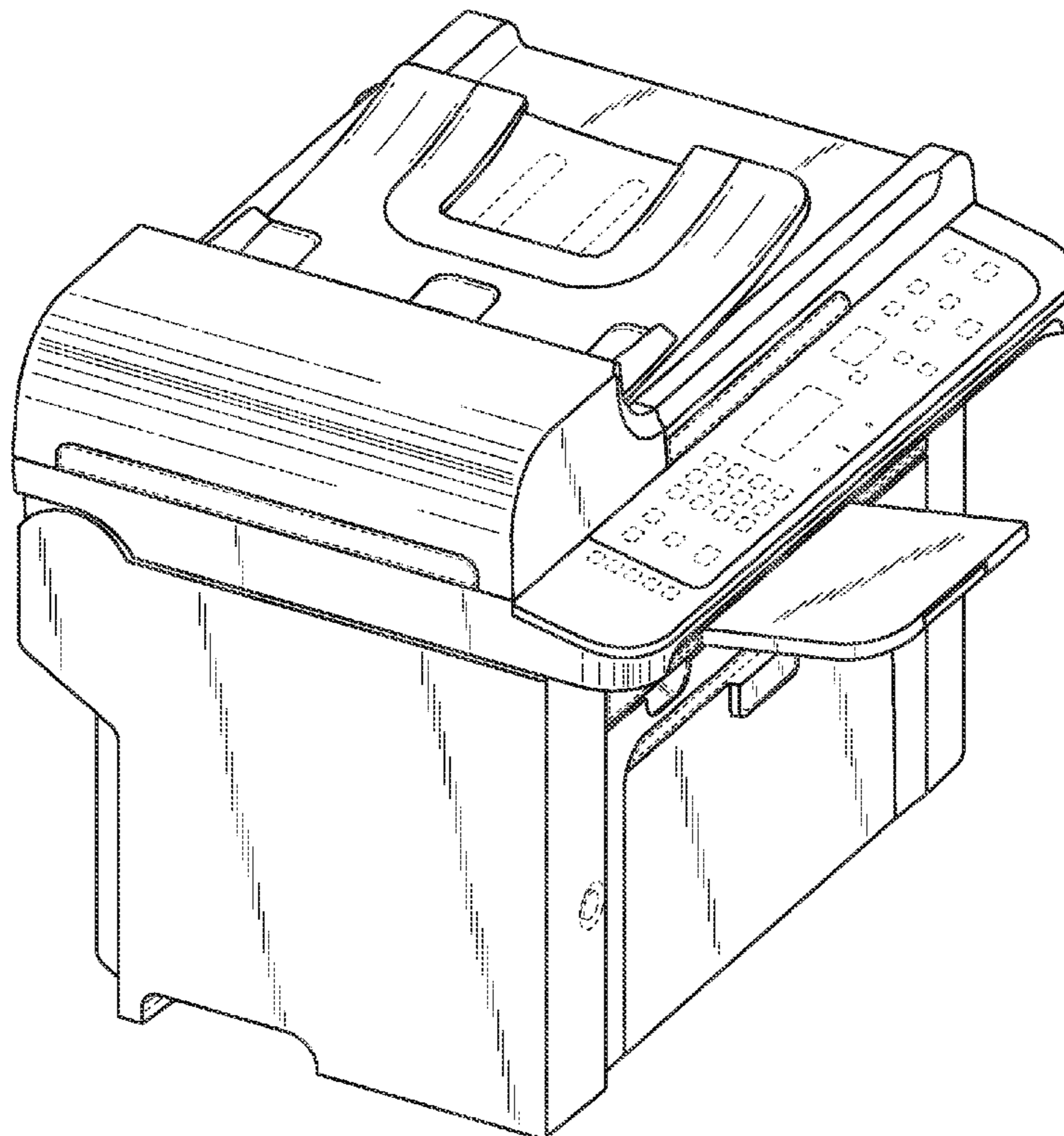
The ornamental design for a multi-function imaging and printing device, substantially as shown and described.

DESCRIPTION

FIG. 1 is a left-front perspective view of the design for the multi-function imaging and printing device;
FIG. 2 is a front view thereof;
FIG. 3 is a rear view thereof;
FIG. 4 is a top view thereof;
FIG. 5 is a bottom view thereof;
FIG. 6 is a left side view thereof; and,
FIG. 7 is a right side view thereof.

The portions shown in broken lines are for illustrative purposes only and form no part of the claimed design.

1 Claim, 7 Drawing Sheets



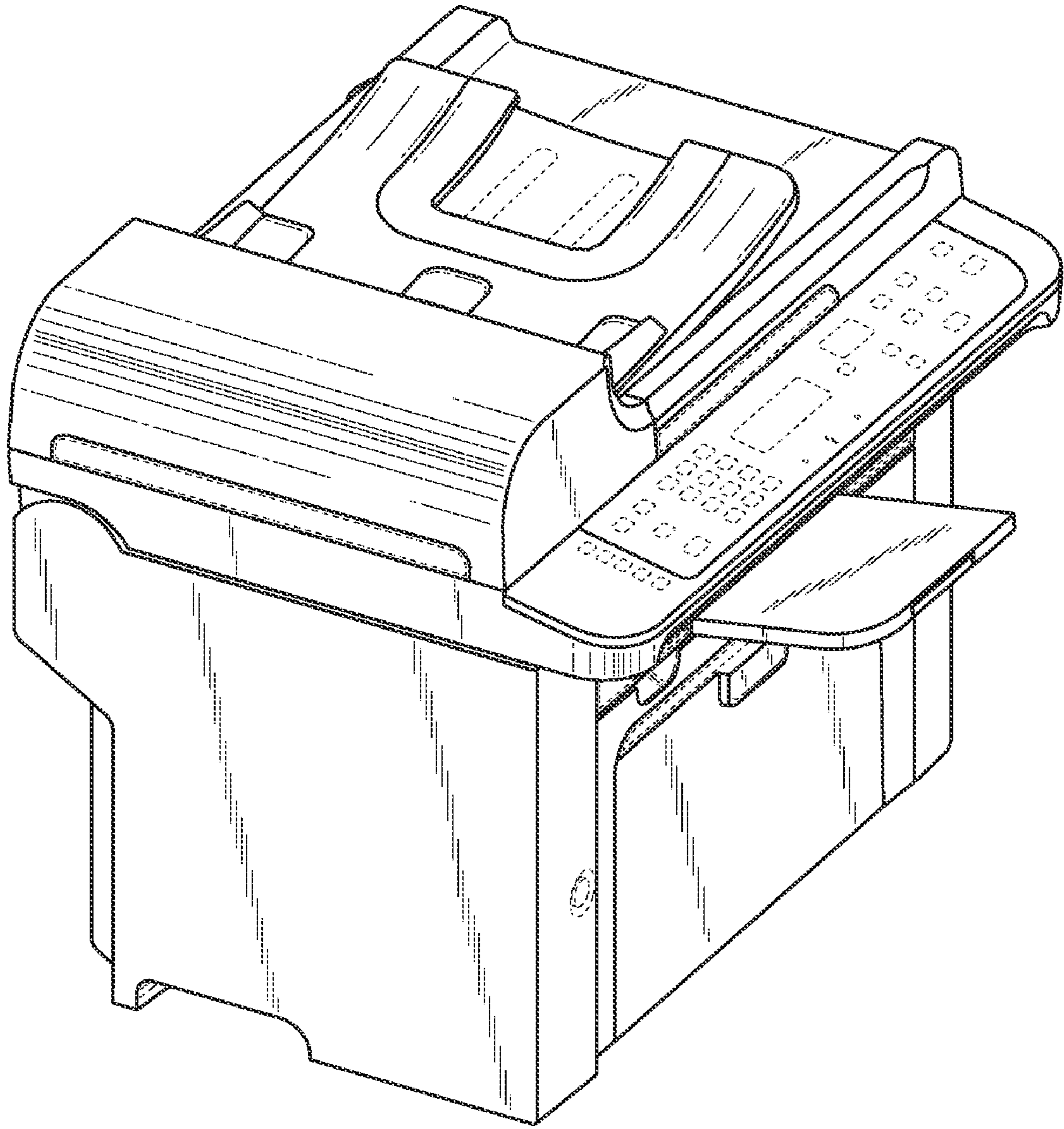


Fig. 1

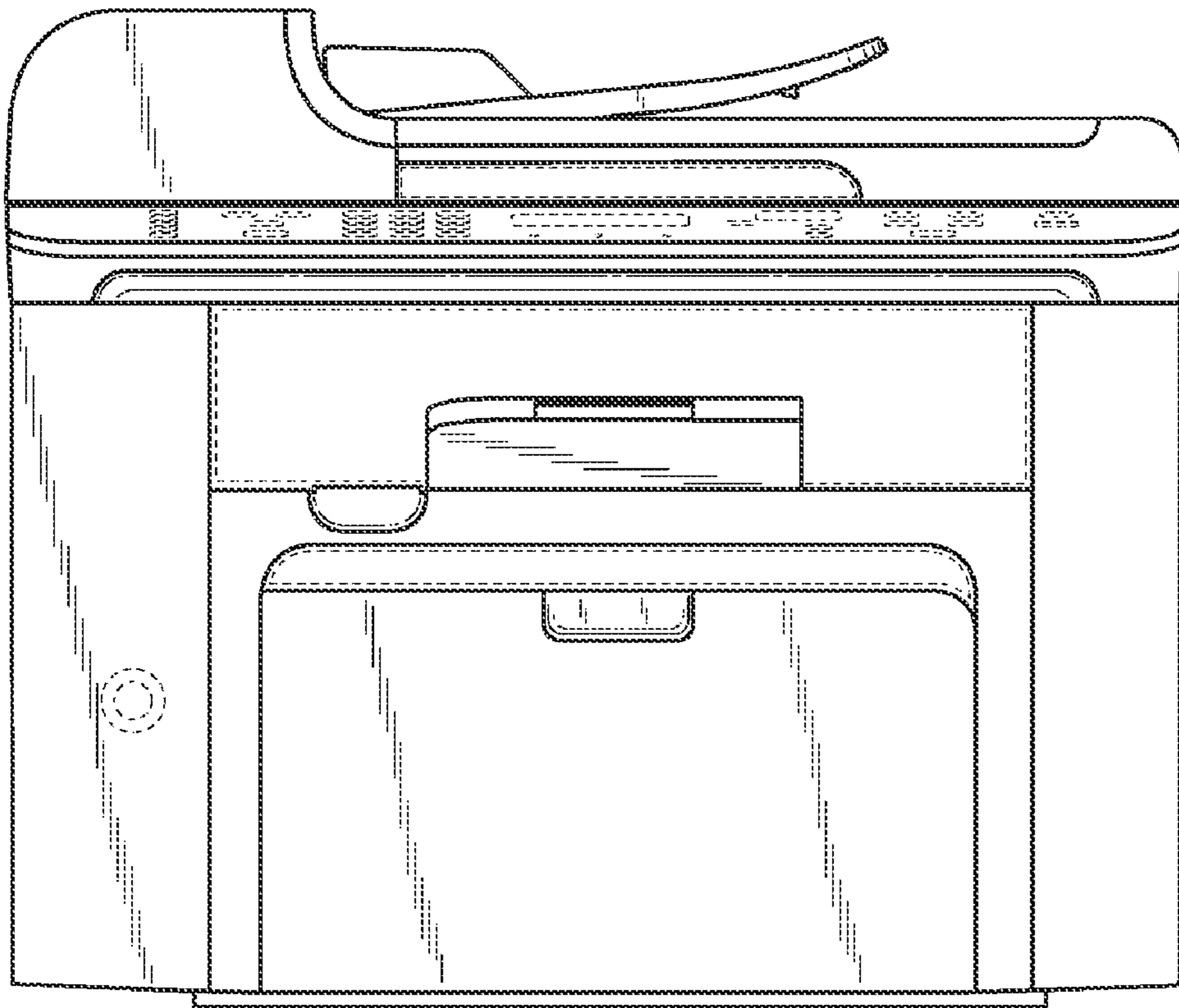


Fig. 2

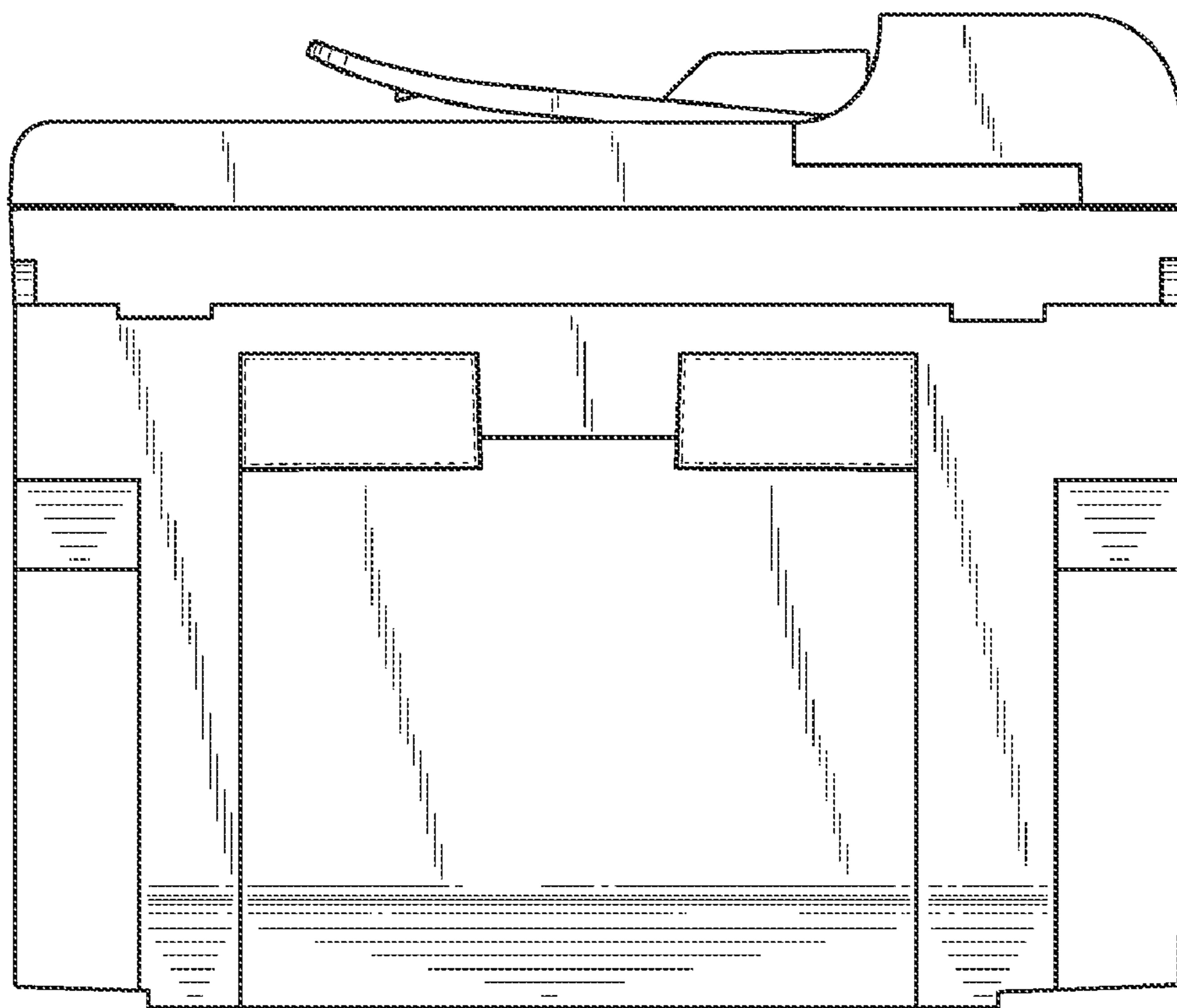


Fig. 3

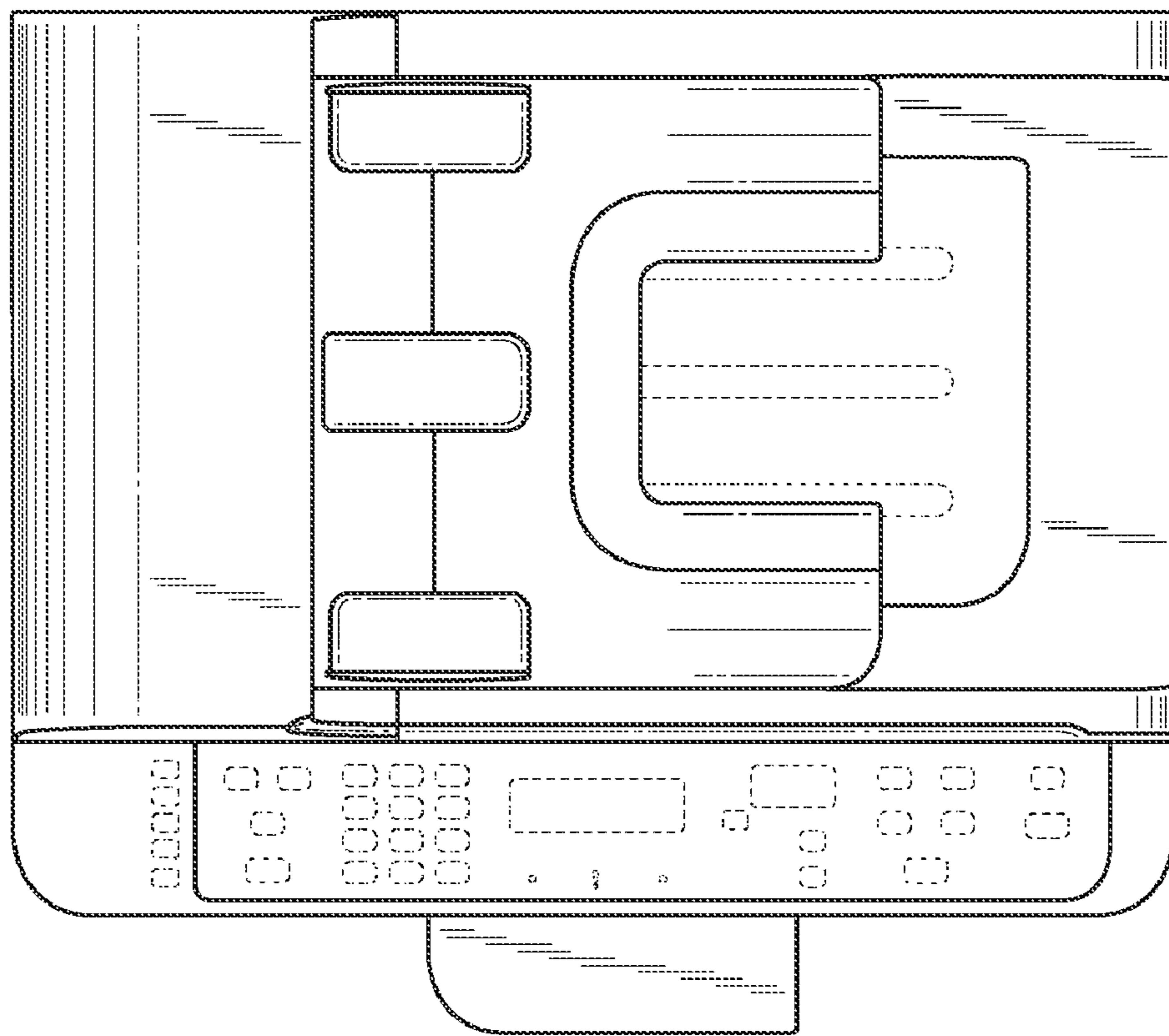


Fig. 4

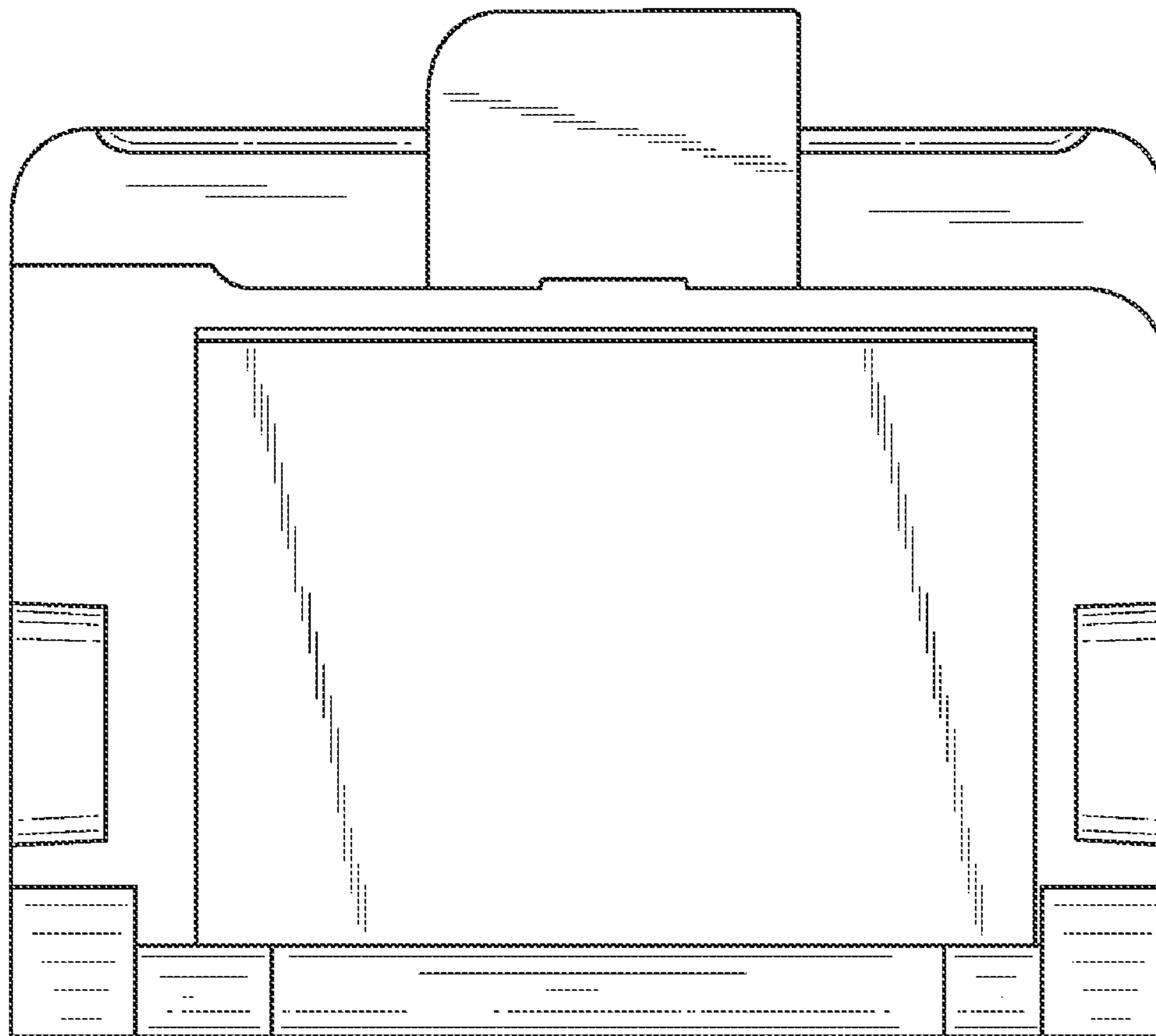


Fig. 5

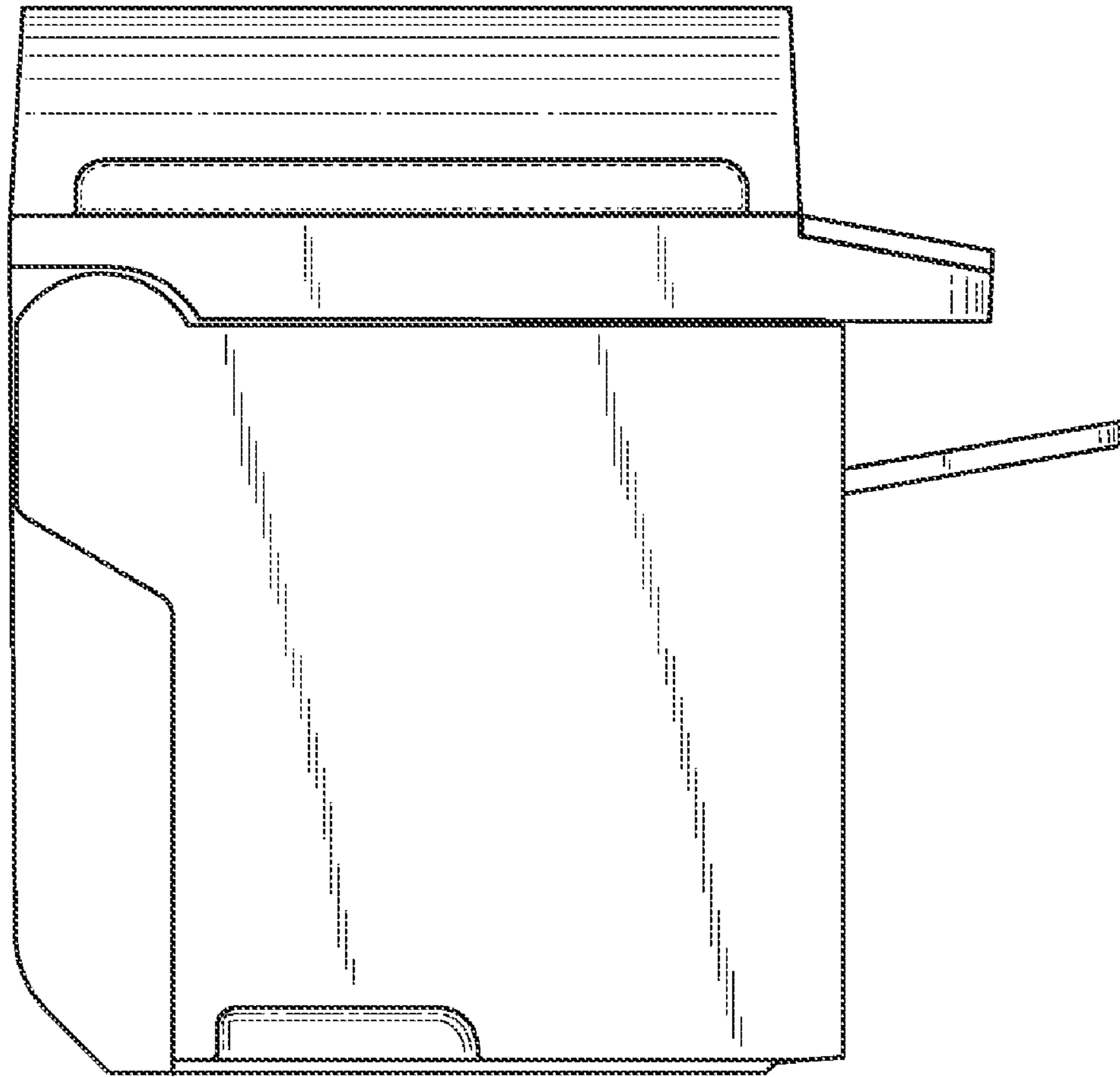


Fig. 6

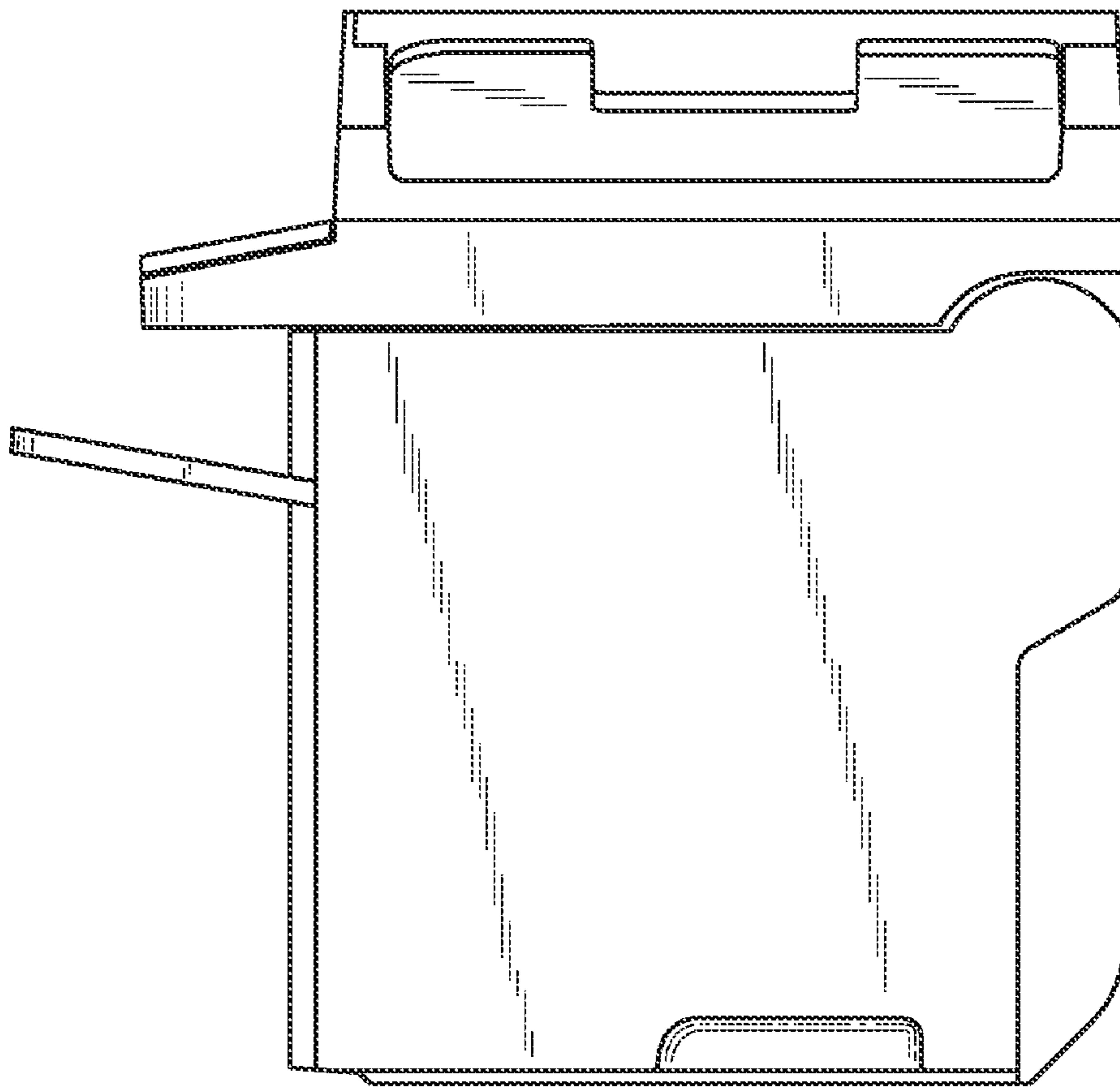


Fig. 7