

US00D660350S

(12) **United States Design Patent**
Falk et al.

(10) **Patent No.:** **US D660,350 S**

(45) **Date of Patent:** **** May 22, 2012**

(54) **MULTI-FUNCTION PRINTER**

(75) Inventors: **Kevin L. Falk**, Boise, ID (US); **Dennis M. Terenzio**, Boise, ID (US)

(73) Assignee: **Hewlett-Packard Development Company, L.P.**, Houston, TX (US)

(**) Term: **14 Years**

(21) Appl. No.: **29/390,631**

(22) Filed: **Apr. 27, 2011**

(51) **LOC (9) Cl.** **18-02**

(52) **U.S. Cl.** **D18/53**

(58) **Field of Classification Search** D18/53,
D18/50, 55, 36-39, 40, 46-49; D14/301,
D14/303; 270/1.01; 271/8.1; 101/2; 358/1.1;
355/78; 399/361

See application file for complete search history.

(56) **References Cited**

U.S. PATENT DOCUMENTS

D355,925	S	*	2/1995	Saunders et al.	D18/39
5,923,826	A	*	7/1999	Grzenda et al.	358/1.15
D431,592	S	*	10/2000	Takenouchi et al.	D18/39
D433,440	S	*	11/2000	Takenouchi et al.	D18/39
D438,889	S	*	3/2001	Matsumoto et al.	D18/39
D444,496	S	*	7/2001	Hatanaka et al.	D18/53

D445,449	S	*	7/2001	Takenouchi et al.	D18/53
6,618,161	B1	*	9/2003	Fresk et al.	358/1.15
D549,770	S	*	8/2007	Clark, III	D18/39
D557,738	S	*	12/2007	Falk	D18/53
D589,550	S	*	3/2009	Clark, III	D18/39
D599,398	S	*	9/2009	Laidlaw et al.	D18/53
2002/0041773	A1	*	4/2002	Smith et al.	399/107

* cited by examiner

Primary Examiner — Bridget L Eland

(57) **CLAIM**

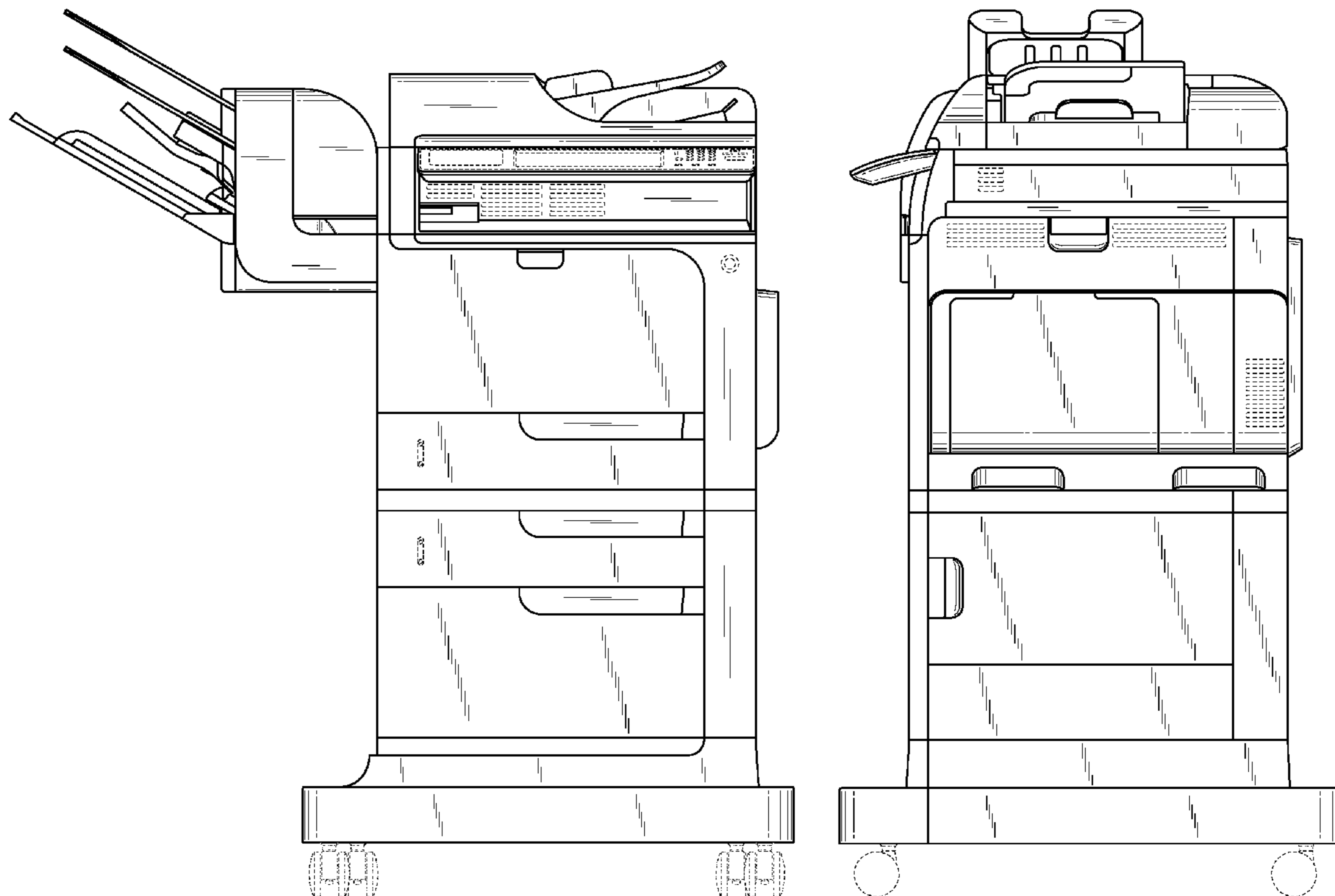
The ornamental design for a multi-function printer, substantially as shown and described.

DESCRIPTION

FIG. 1 is a top-right-front perspective view of the design for the multi-function printer;
FIG. 2 is a front view thereof;
FIG. 3 is a rear view thereof;
FIG. 4 is a right side view thereof;
FIG. 5 is a left side view thereof; and,
FIG. 6 is a top view thereof.

The broken lines immediately adjacent the shaded areas represent the bounds of the claimed design while all other broken lines are directed to environment and are for illustrative purposes only; the broken lines form no part of the claimed design.

1 Claim, 6 Drawing Sheets



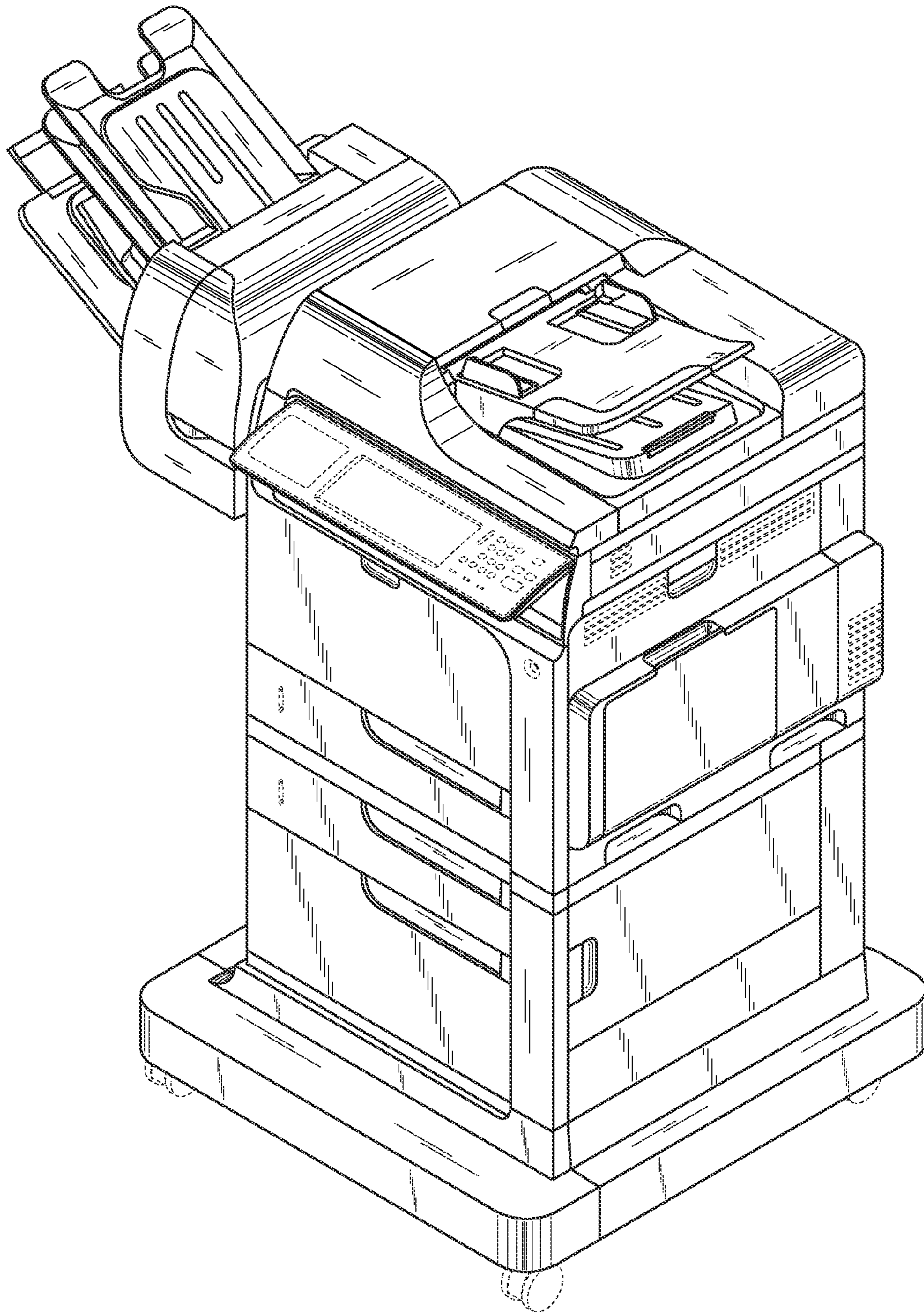


Fig. 1

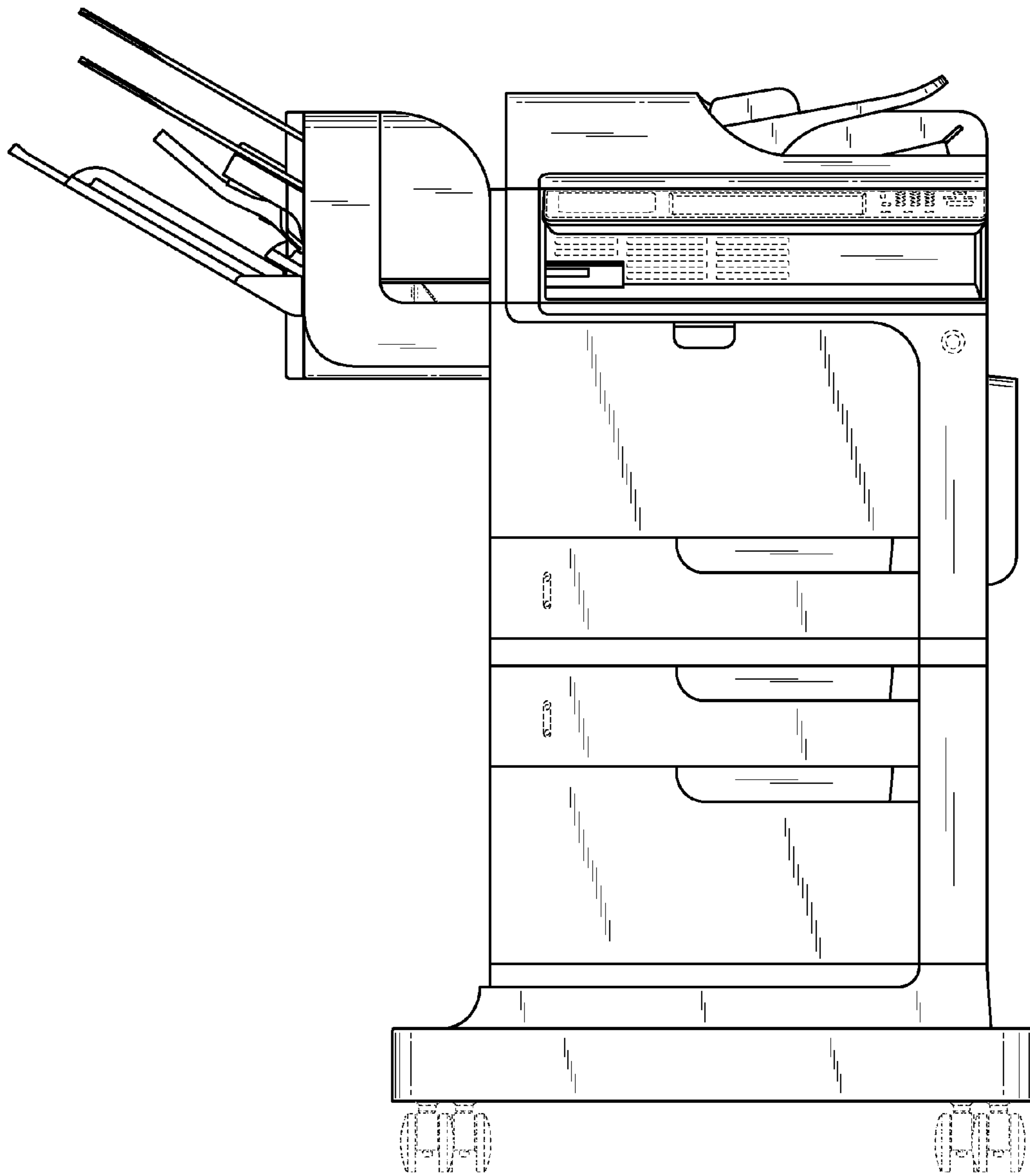


Fig. 2

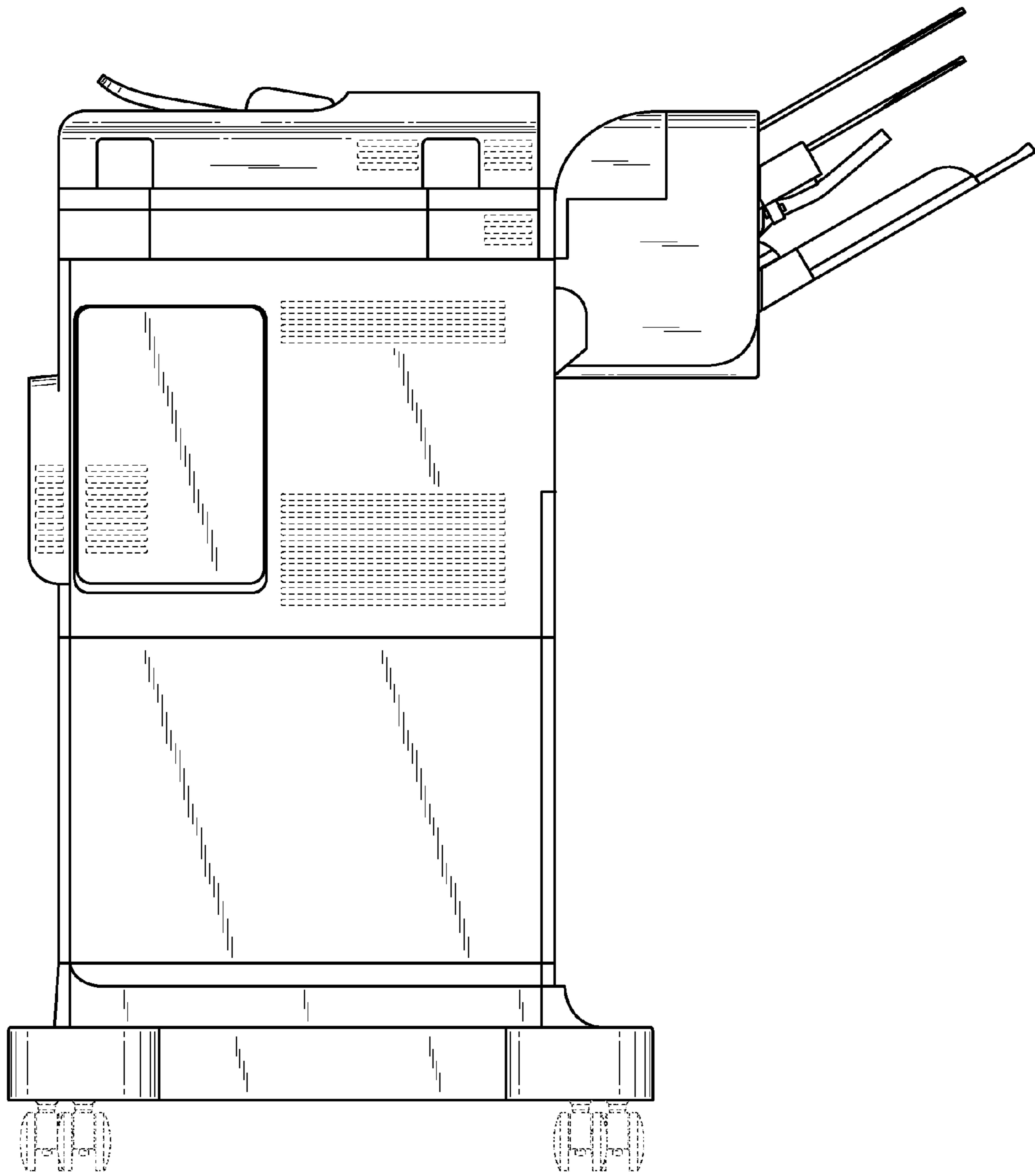


Fig. 3

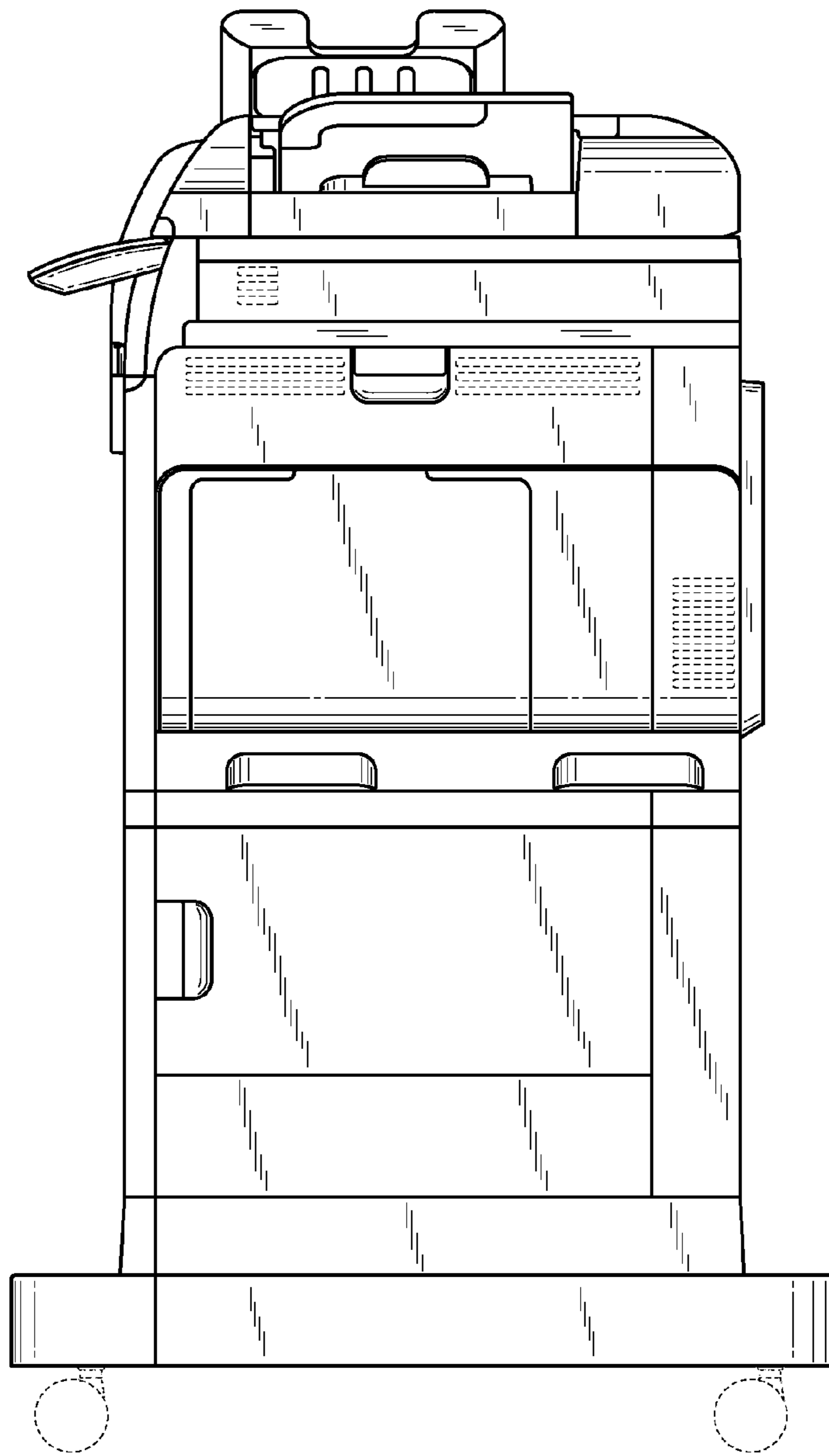


Fig. 4

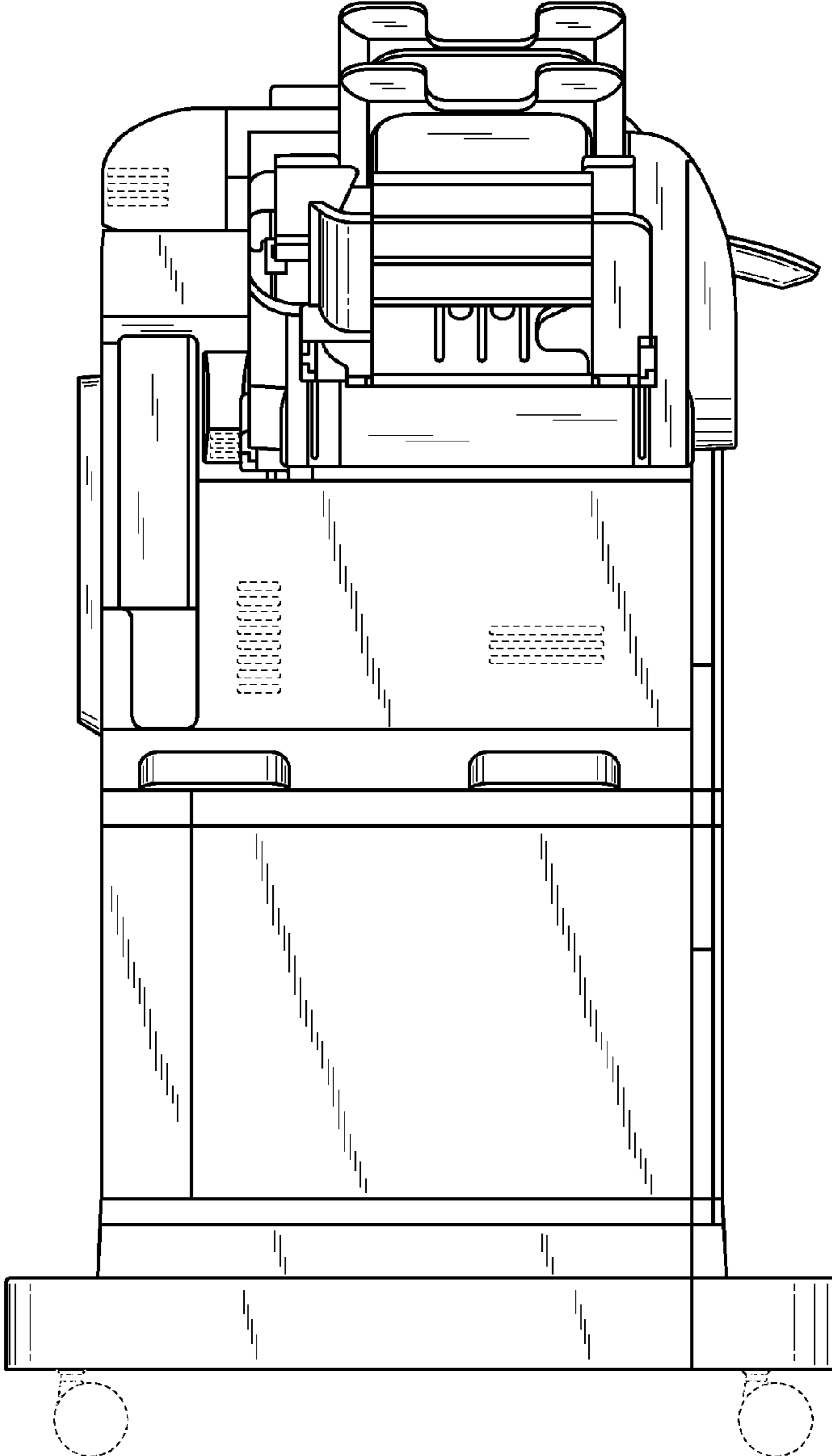


Fig. 5

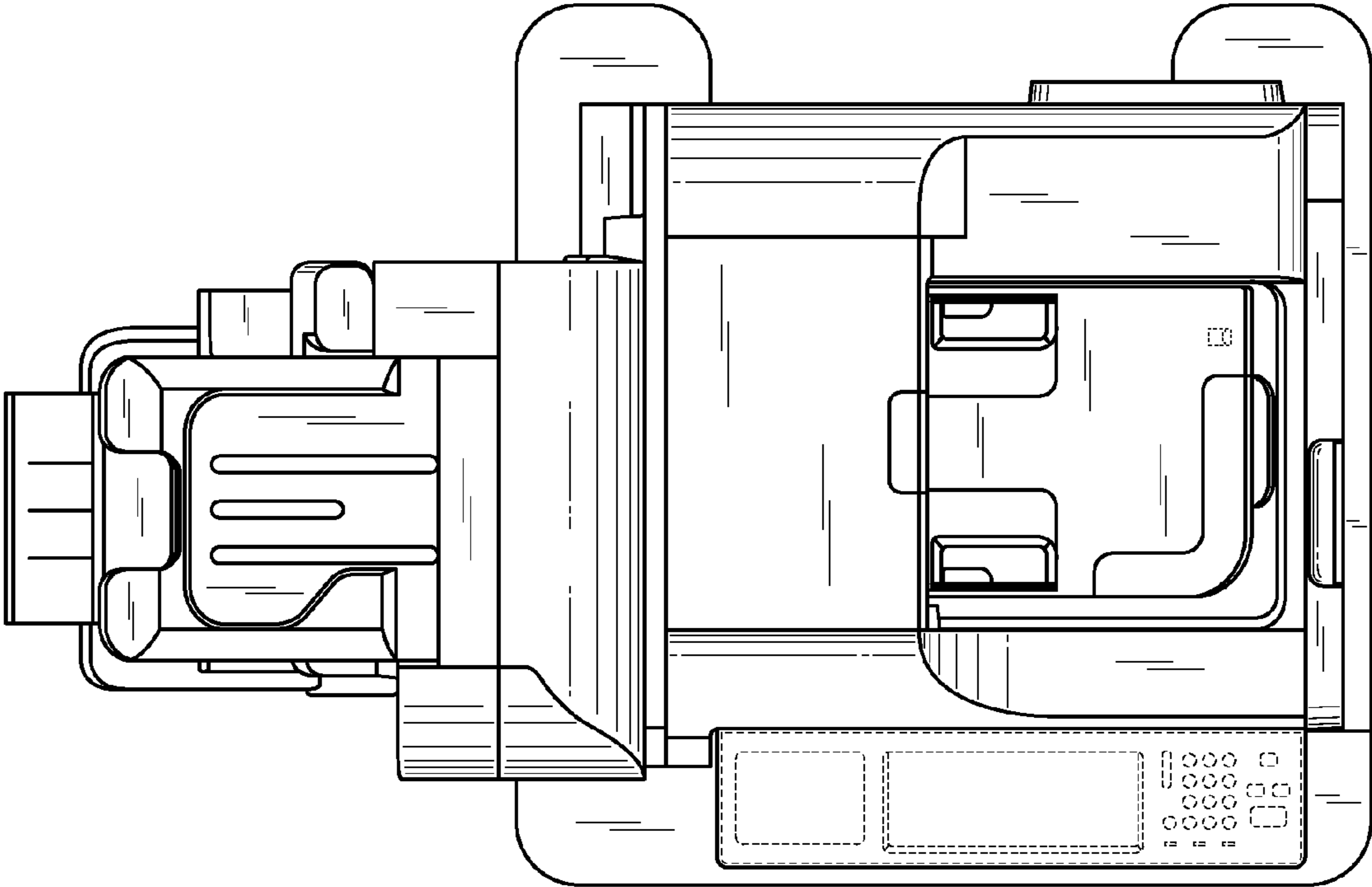


Fig. 6