

US00D660347S

(12) **United States Design Patent**  
**Miyauchi et al.**

(10) **Patent No.:** **US D660,347 S**

(45) **Date of Patent:** **\*\* May 22, 2012**

(54) **PRINTER TRAY**

(75) Inventors: **Hiroto Miyauchi**, Matsumoto (JP);  
**Makoto Omuro**, Matsumoto (JP); **Akira Nemura**, Matsumoto (JP)

(73) Assignee: **Seiko Epson Corporation**, Tokyo (JP)

(\*\*) Term: **14 Years**

(21) Appl. No.: **29/376,437**

(22) Filed: **Oct. 7, 2010**

(30) **Foreign Application Priority Data**

Jun. 30, 2010 (JP) ..... 2010-016001

(51) **LOC (9) Cl.** ..... **18-99**

(52) **U.S. Cl.** ..... **D18/49**

(58) **Field of Classification Search** ..... D18/36-41,  
D18/44-56; 222/DIG. 1; 271/3.14, 8.1,  
271/226, 278; 355/97, 99; 358/1.1; 399/1-7,  
399/16, 75, 81, 107, 130, 151, 361, 365,  
399/367, 381-383, 388

See application file for complete search history.

(56) **References Cited**

U.S. PATENT DOCUMENTS

4,780,740 A \* 10/1988 Fukae ..... 399/86  
D316,426 S \* 4/1991 Komada et al. .... D18/44

D445,451 S 7/2001 Clarck et al.  
D526,678 S \* 8/2006 Inoue et al. .... D18/49  
D528,149 S \* 9/2006 Asada et al. .... D18/49  
D528,592 S \* 9/2006 Asada et al. .... D18/49  
D528,593 S \* 9/2006 Ikeda ..... D18/49  
D556,252 S \* 11/2007 Yamagata et al. .... D18/44  
7,356,302 B2 \* 4/2008 Yamamoto ..... 399/388  
7,770,877 B2 \* 8/2010 Hasegawa ..... 271/3.14  
2010/0061785 A1 \* 3/2010 Kimijima ..... 399/388

\* cited by examiner

*Primary Examiner* — Garth Rademaker

(57) **CLAIM**

The ornamental design for a printer tray, as shown and described.

**DESCRIPTION**

FIG. 1 is a top, front and right side perspective view of a printer tray showing our new design; FIG. 2 is a front view thereof; FIG. 3 is a rear view thereof; FIG. 4 is a top plan view thereof; FIG. 5 is a bottom plan view thereof; FIG. 6 is a left side elevational view thereof; and, FIG. 7 is a right side elevational view thereof. The broken line areas show environmental subject matter and form no part of the claimed design.

**1 Claim, 5 Drawing Sheets**

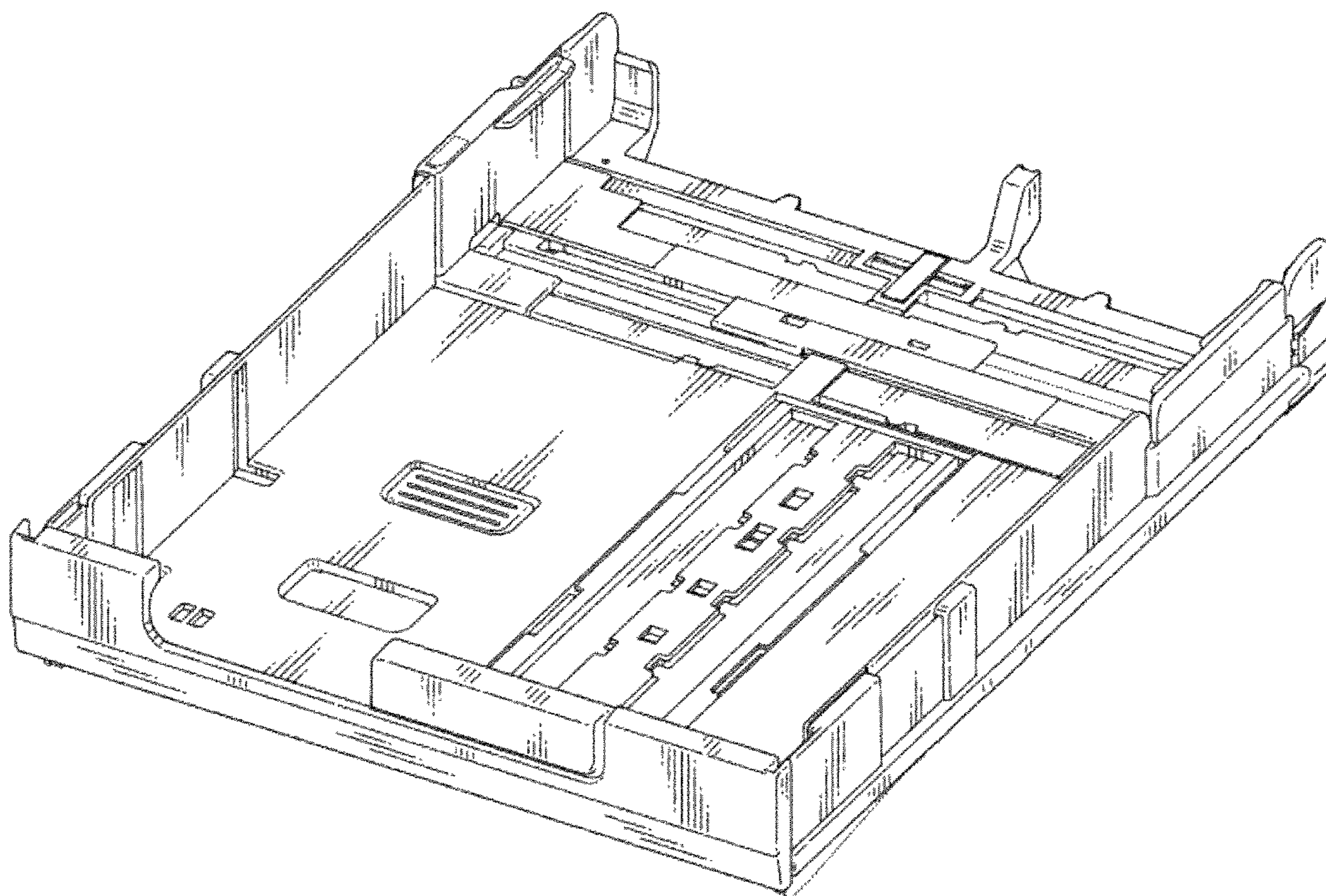




Fig. 1

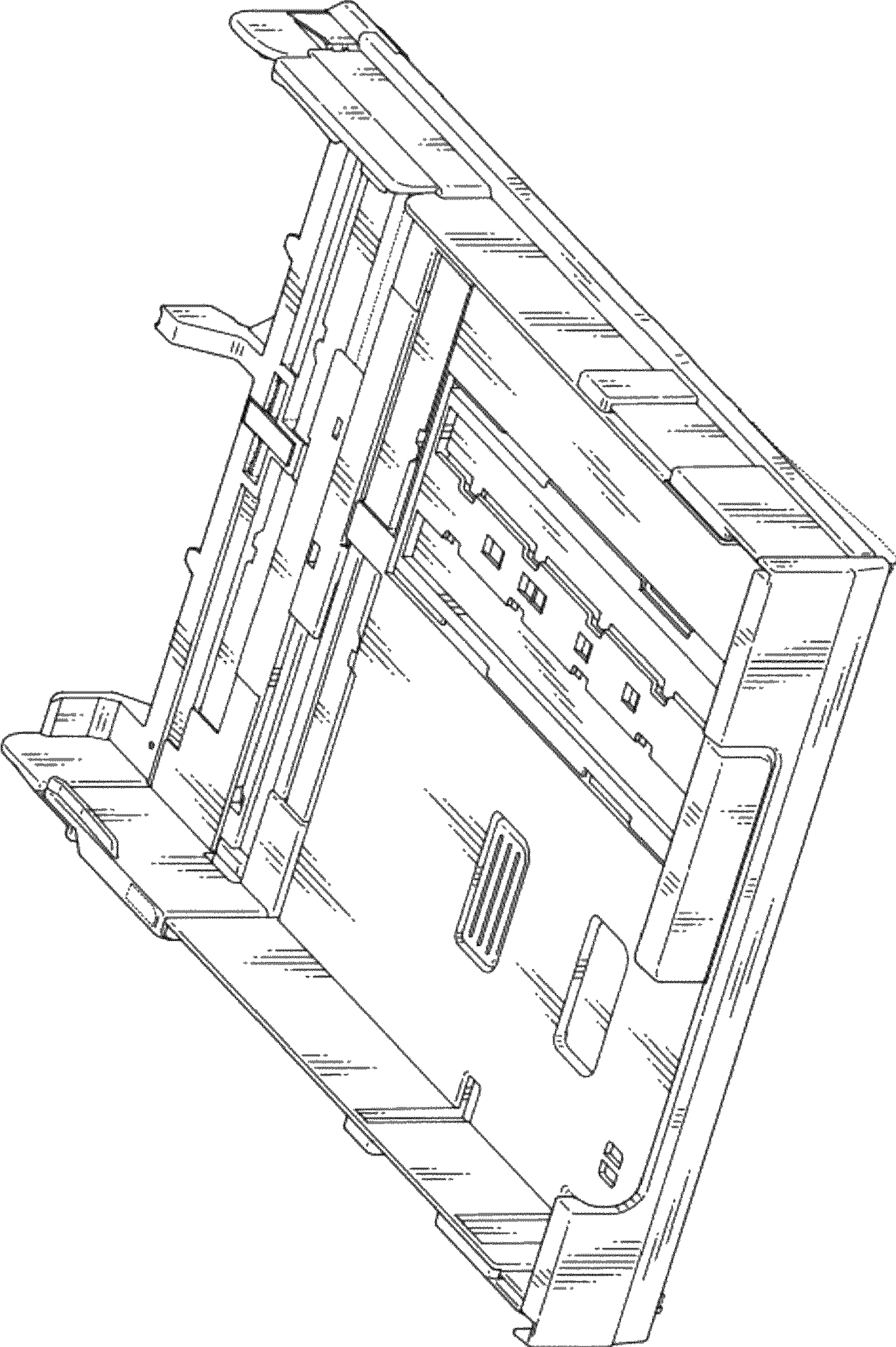


Fig. 2

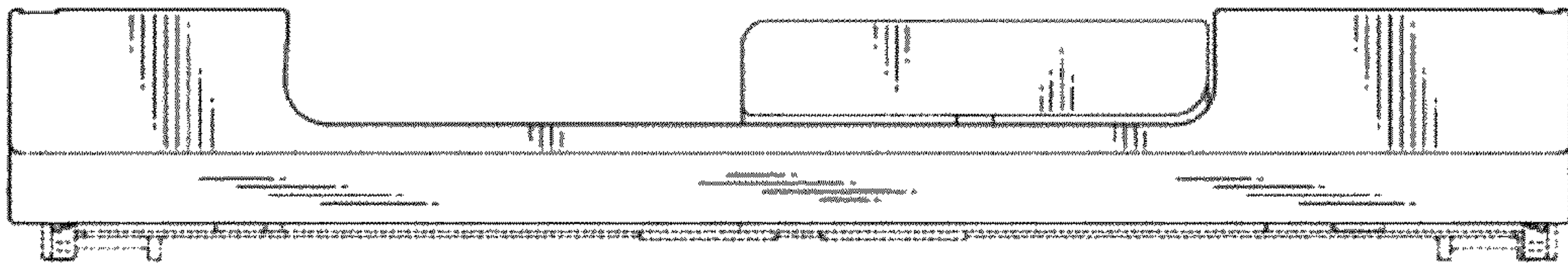


Fig. 3

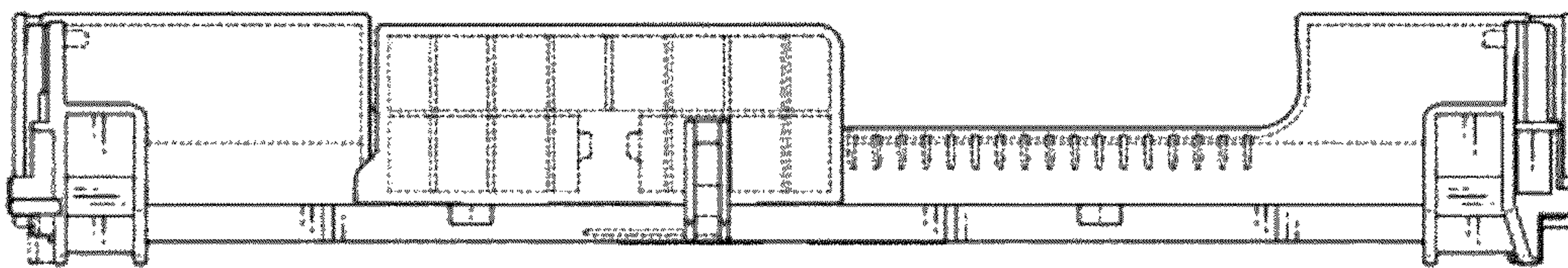




Fig. 4

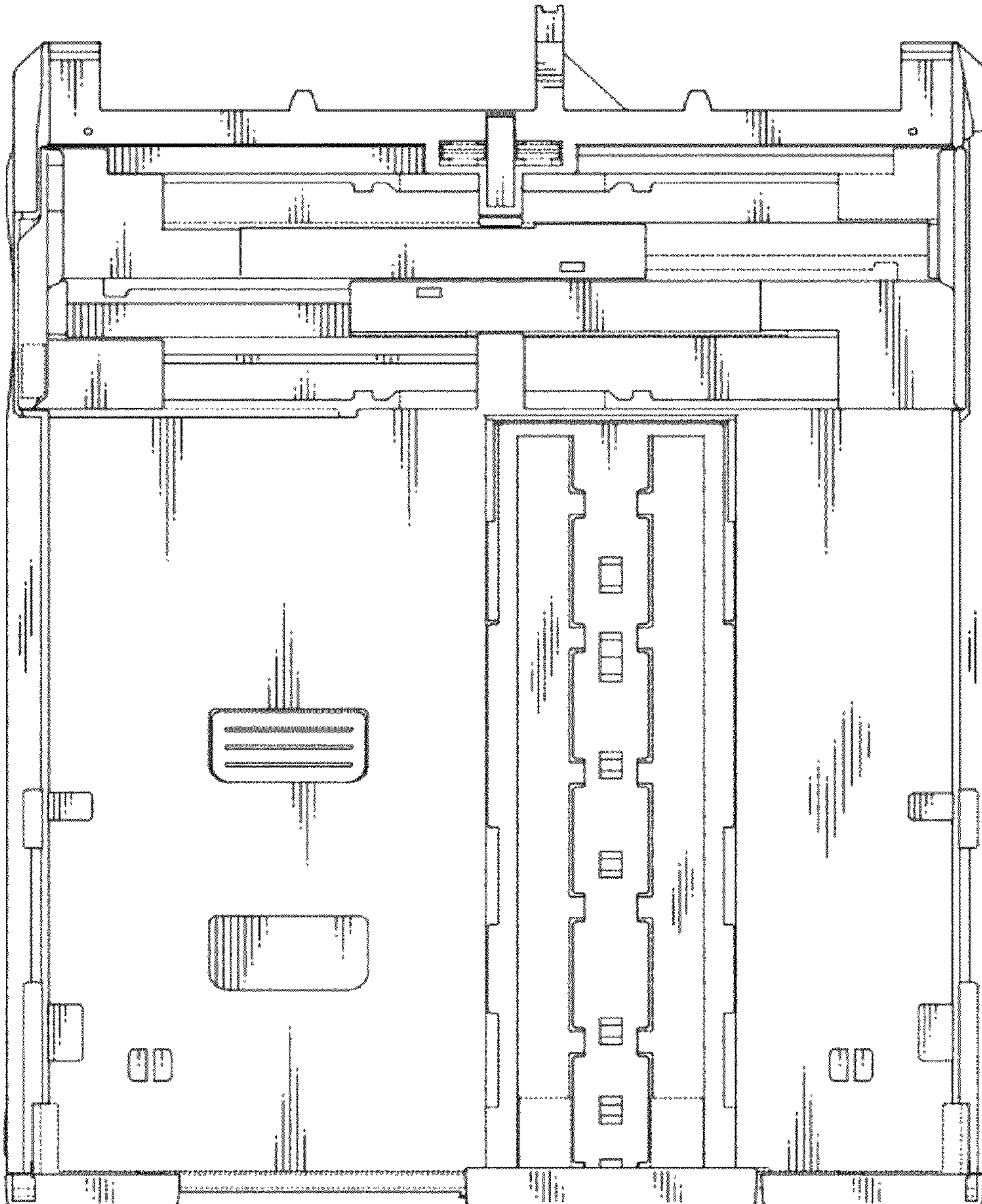




Fig. 5

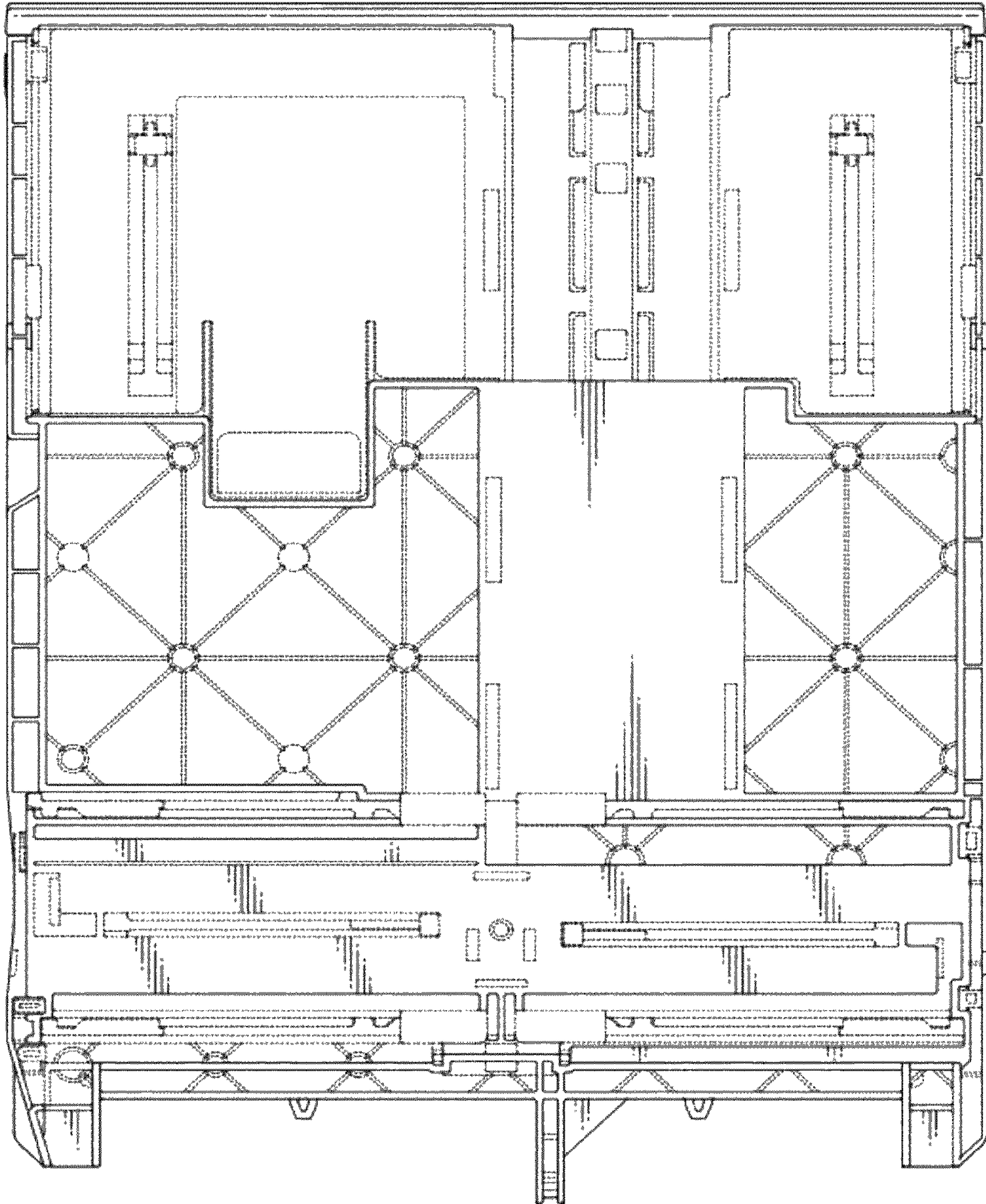


Fig. 6

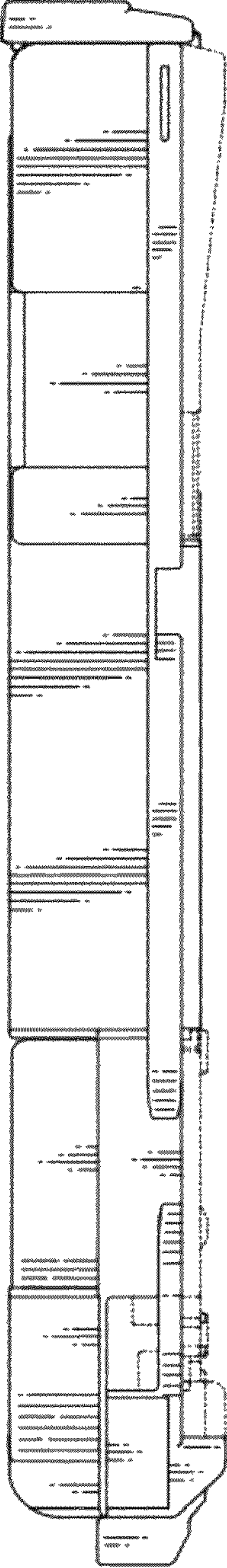


Fig. 7

