

US00D660346S

(12) **United States Design Patent**  
**Kim et al.**

(10) **Patent No.:** **US D660,346 S**

(45) **Date of Patent:** **\*\* May 22, 2012**

(54) **SHREDDER**

(75) Inventors: **Hyunchul Kim**, Chicago, IL (US); **Tong Jin Kim**, Evanston, IL (US); **Patrick M. Bodkin**, Chicago, IL (US)

(73) Assignee: **Fellowes, Inc.**, Itasca, IL (US)

(\*\*) Term: **14 Years**

(21) Appl. No.: **29/404,167**

(22) Filed: **Oct. 17, 2011**

**Related U.S. Application Data**

(62) Division of application No. 29/360,516, filed on Apr. 27, 2010, now Pat. No. Des. 647,129.

(51) **LOC (9) Cl.** ..... **18-04**

(52) **U.S. Cl.** ..... **D18/34.5**

(58) **Field of Classification Search** ..... D18/34.4,  
D18/34.5; D23/356, 359, 360, 364; 241/100,  
241/236, 30, 36

See application file for complete search history.

(56) **References Cited**

**U.S. PATENT DOCUMENTS**

4,637,560	A	1/1987	Goldhammer	
D320,228	S	9/1991	Isomoto et al.	
D444,809	S	7/2001	Chang	
D449,850	S	10/2001	Ho	
D502,961	S	3/2005	Lo	
6,962,301	B1	11/2005	Chang	
6,964,386	B2	11/2005	Ho	
7,014,133	B2	3/2006	Ho	
D534,945	S	1/2007	Bai	
D537,599	S	2/2007	Lin	
D544,904	S *	6/2007	Beno et al. ....	D18/34.5
D545,890	S	7/2007	Abramson et al.	
D548,273	S	8/2007	Joachim et al.	

D555,716	S	11/2007	Chen	
D557,732	S	12/2007	Ho	
D557,733	S *	12/2007	Ho et al. ....	D18/34.6
D557,734	S *	12/2007	Ho et al. ....	D18/34.6
D557,735	S	12/2007	Ho	
D558,257	S	12/2007	Joachim et al.	
RE40,042	E	2/2008	Chang	
D583,859	S	12/2008	Holderfield et al.	
D584,342	S	1/2009	Parratt et al.	
D591,335	S	4/2009	Holderfield et al.	
7,513,448	B2	4/2009	Ko	
D598,048	S	8/2009	Holderfield et al.	

(Continued)

*Primary Examiner* — Bridget L Eland

(74) *Attorney, Agent, or Firm* — Pillsbury Winthrop Shaw Pittman LLP

(57) **CLAIM**

The ornamental design for a shredder, as shown and described.

**DESCRIPTION**

FIG. 1 is a perspective view of a shredder showing our new design;

FIG. 2 is a top plan view of the shredder of FIG. 1;

FIG. 3 is a front elevation view of the shredder of FIG. 1;

FIG. 4 is a right profile view of the shredder of FIG. 1;

FIG. 5 is a left profile view of the shredder of FIG. 1;

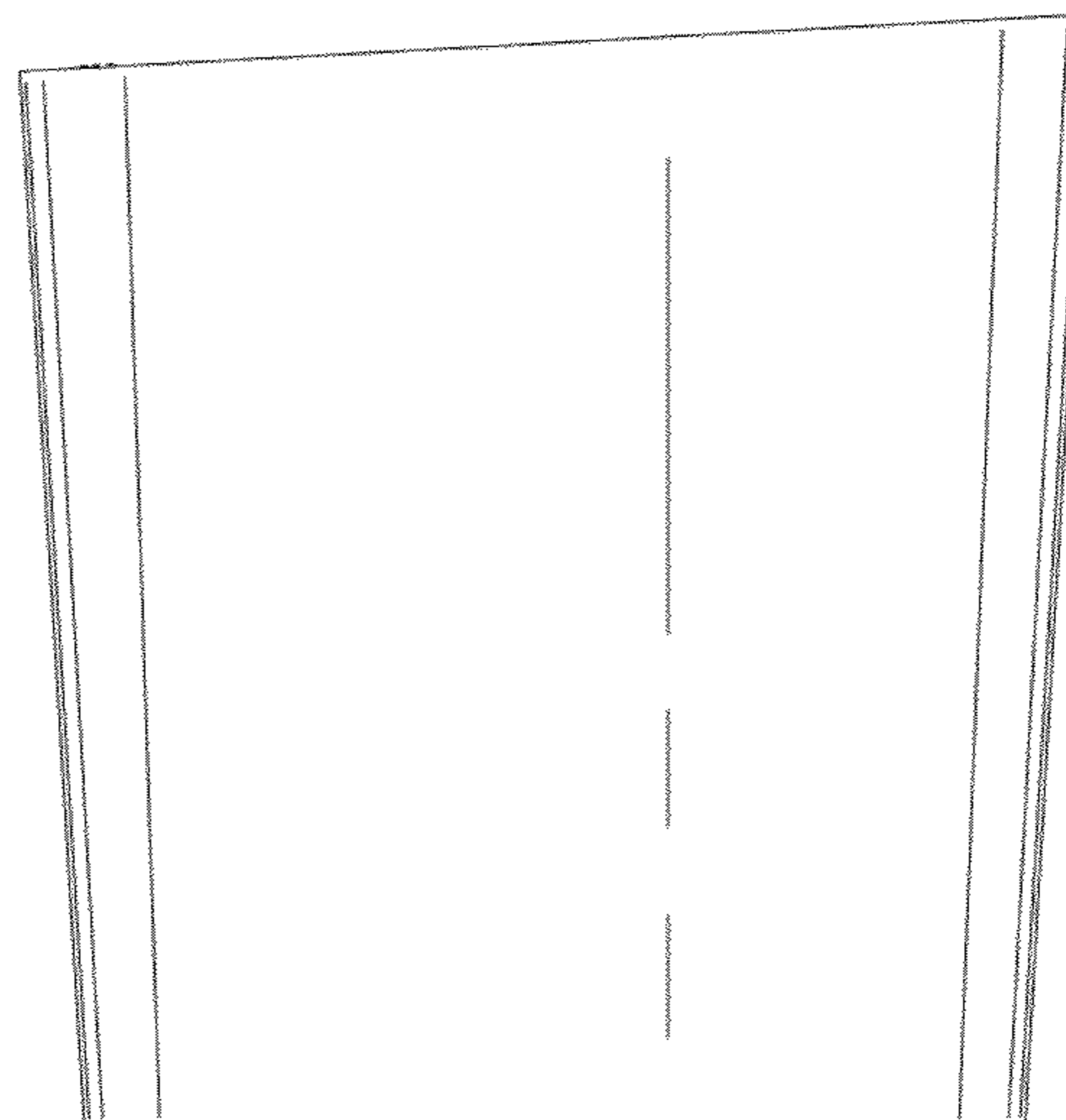
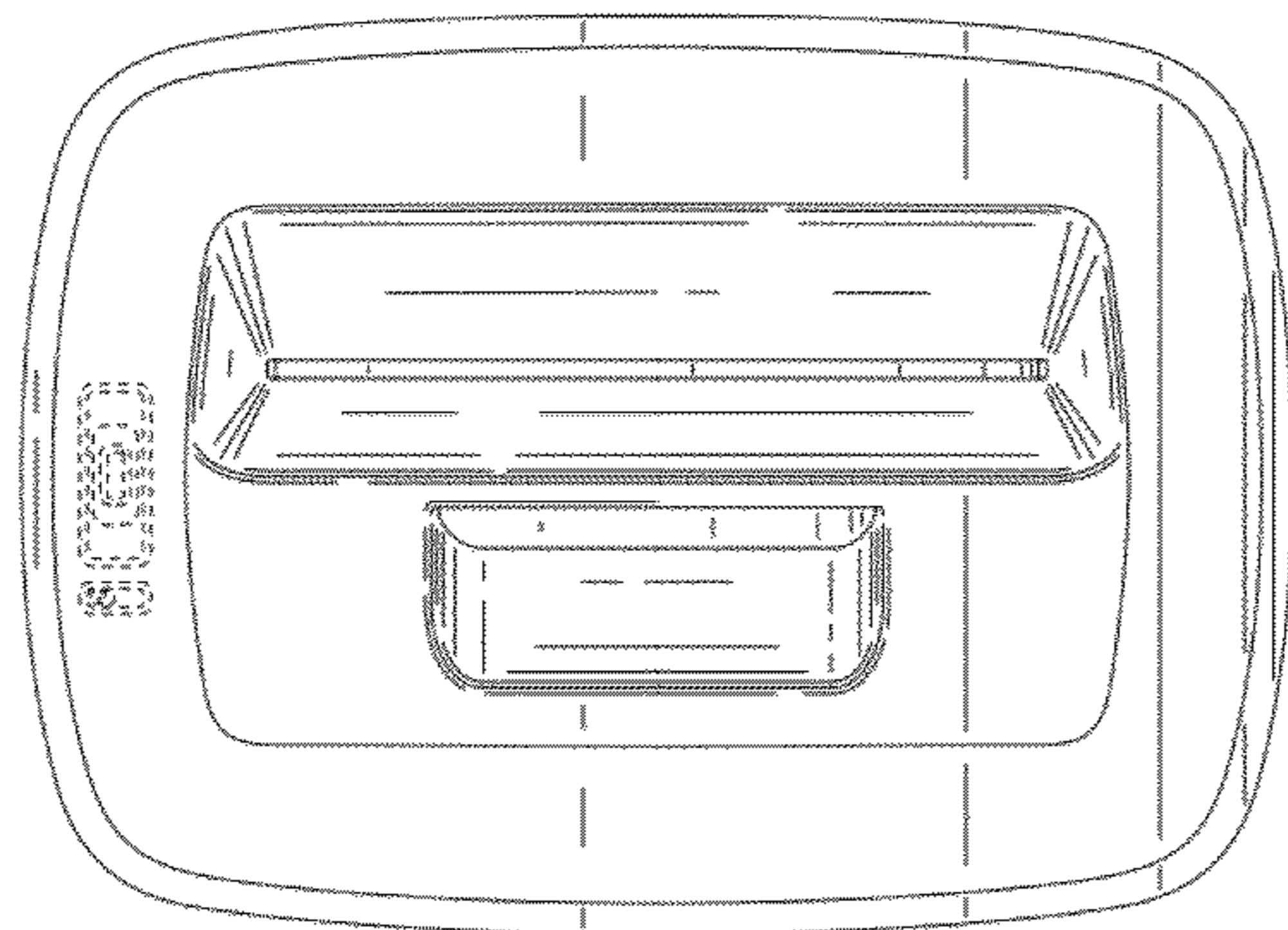
FIG. 6 is a rear elevation view of the shredder of FIG. 1; and,

FIG. 7 is bottom plan view of the shredder of FIG. 1.

The subject matter in broken lines forms no part of the claimed subject matter.

The broken lines immediately adjacent the claimed area represents the bounds of the claimed design while all other broken lines are directed to environment and are for illustrative purposes only; the broken lines form no part of the claimed design.

**1 Claim, 7 Drawing Sheets**



# US D660,346 S

Page 2

---

U.S. PATENT DOCUMENTS					
D602,073 S	10/2009	Holderfield et al.	D616,924 S *	6/2010	Kim et al. .... D18/34.5
D602,074 S	10/2009	Holderfield et al.	D618,275 S	6/2010	Wing et al.
D602,517 S	10/2009	Parratt et al.	7,762,486 B2	7/2010	Mussig et al.
D602,518 S	10/2009	Holderfield et al.	7,823,815 B2	11/2010	Jensen
D602,983 S	10/2009	Kit et al.	D647,129 S *	10/2011	Kim et al. .... D18/34.9
D604,762 S *	11/2009	Parratt et al. .... D18/34.9	D648,375 S *	11/2011	Sued et al. .... D18/34.5
D604,763 S	11/2009	Holderfield et al.	2007/0295842 A1	12/2007	Wang
7,611,083 B2	11/2009	Zhang	2008/0054110 A1 *	3/2008	Wang ..... 241/100
D609,102 S	2/2010	Matlin	2008/0156915 A1 *	7/2008	Huang ..... 241/100
D611,089 S	3/2010	Matlin et al.	2008/0210794 A1	9/2008	Schwelling et al.
D616,923 S *	6/2010	Kim et al. .... D18/34.5	2010/0001111 A1	1/2010	Matlin et al.

\* cited by examiner

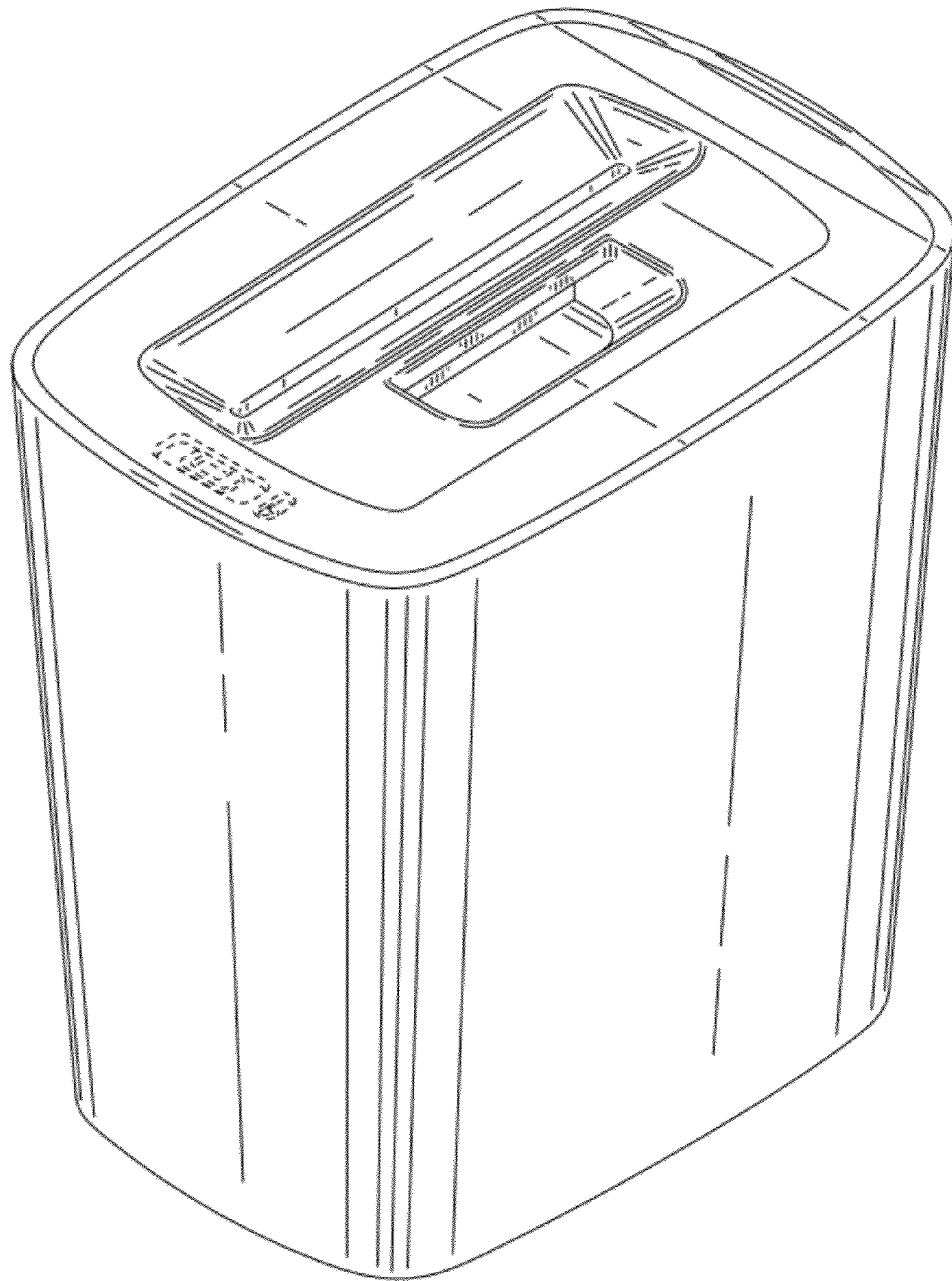


FIG. 1

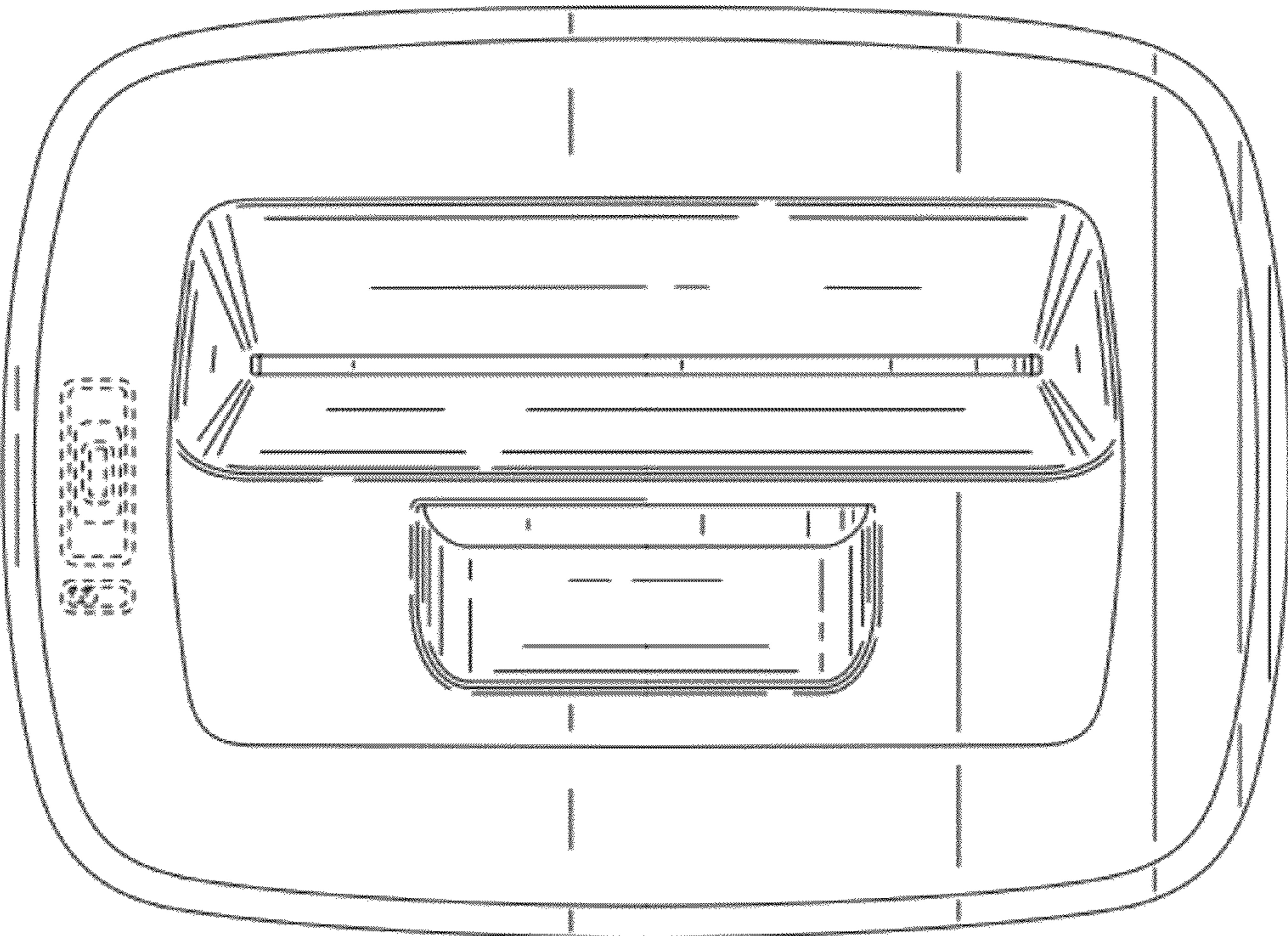


FIG. 2

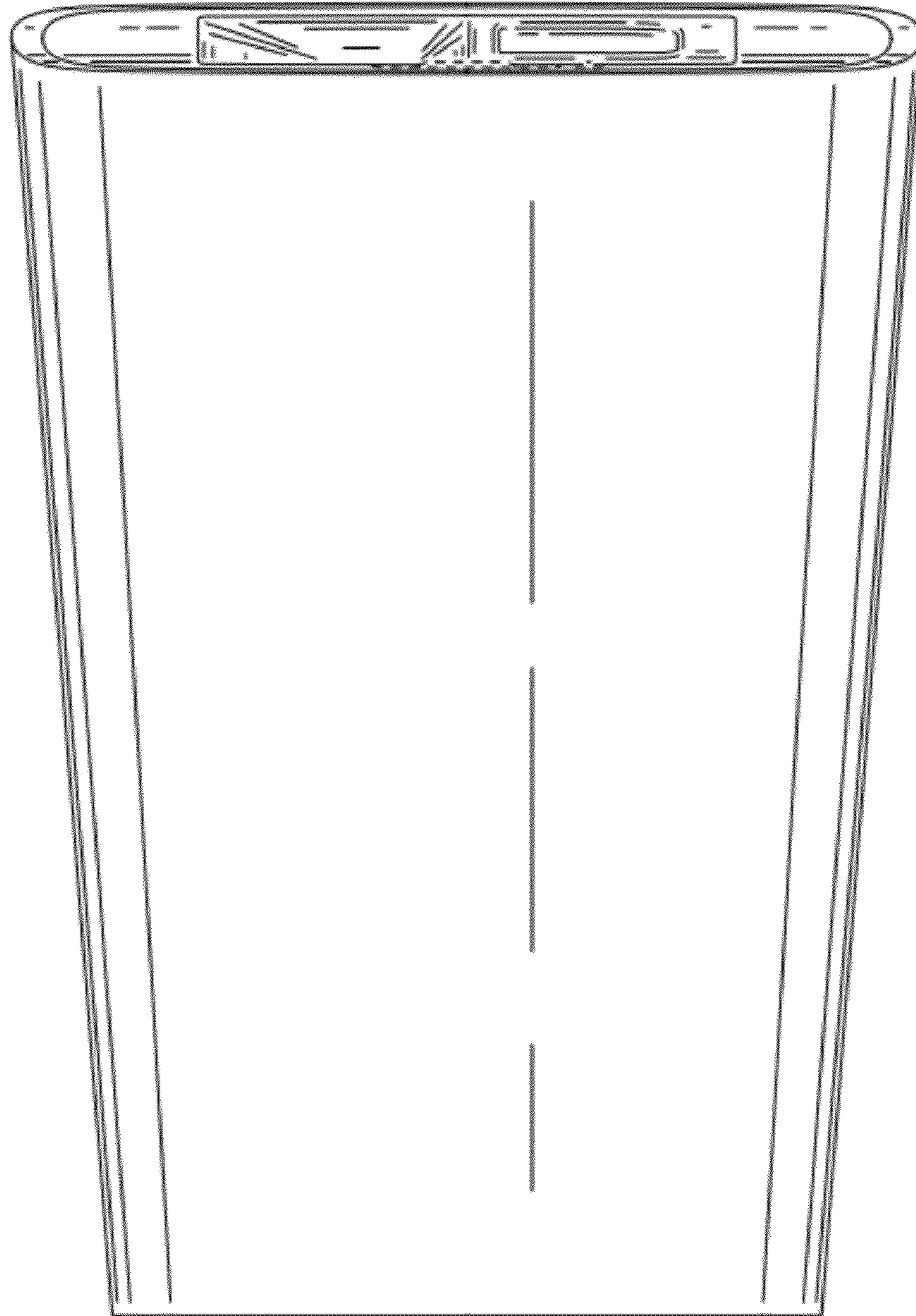


FIG. 3

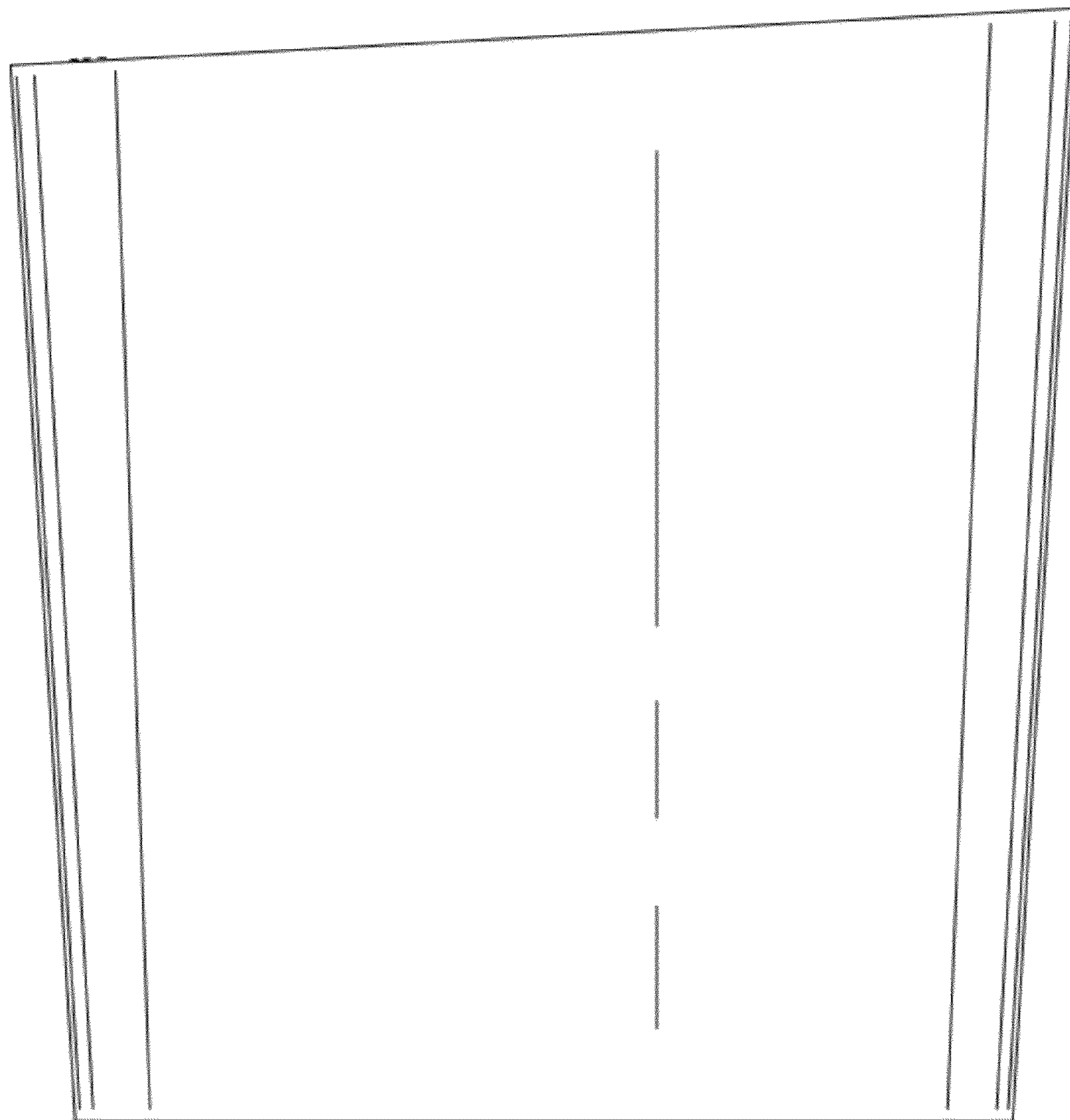


FIG. 4

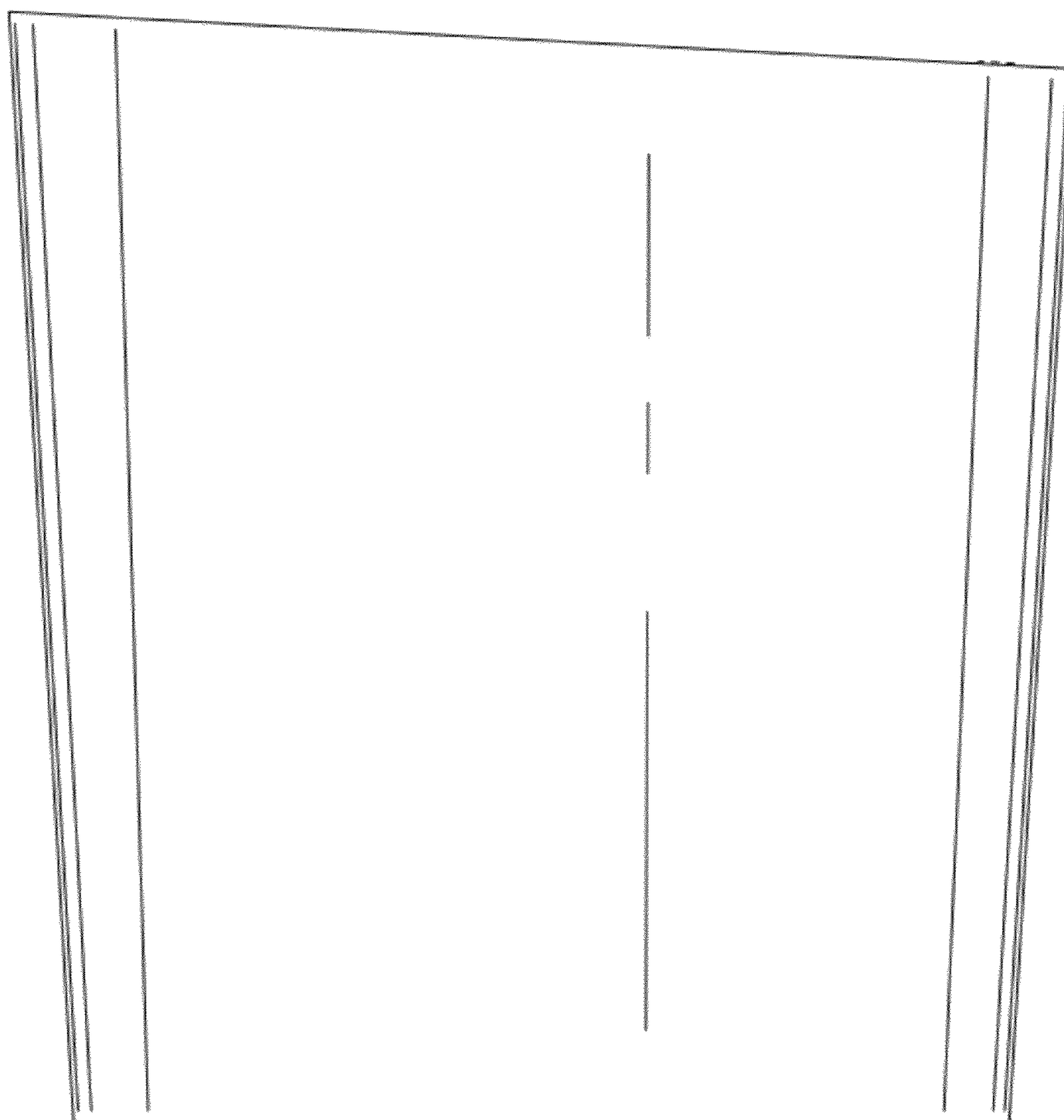


FIG. 5

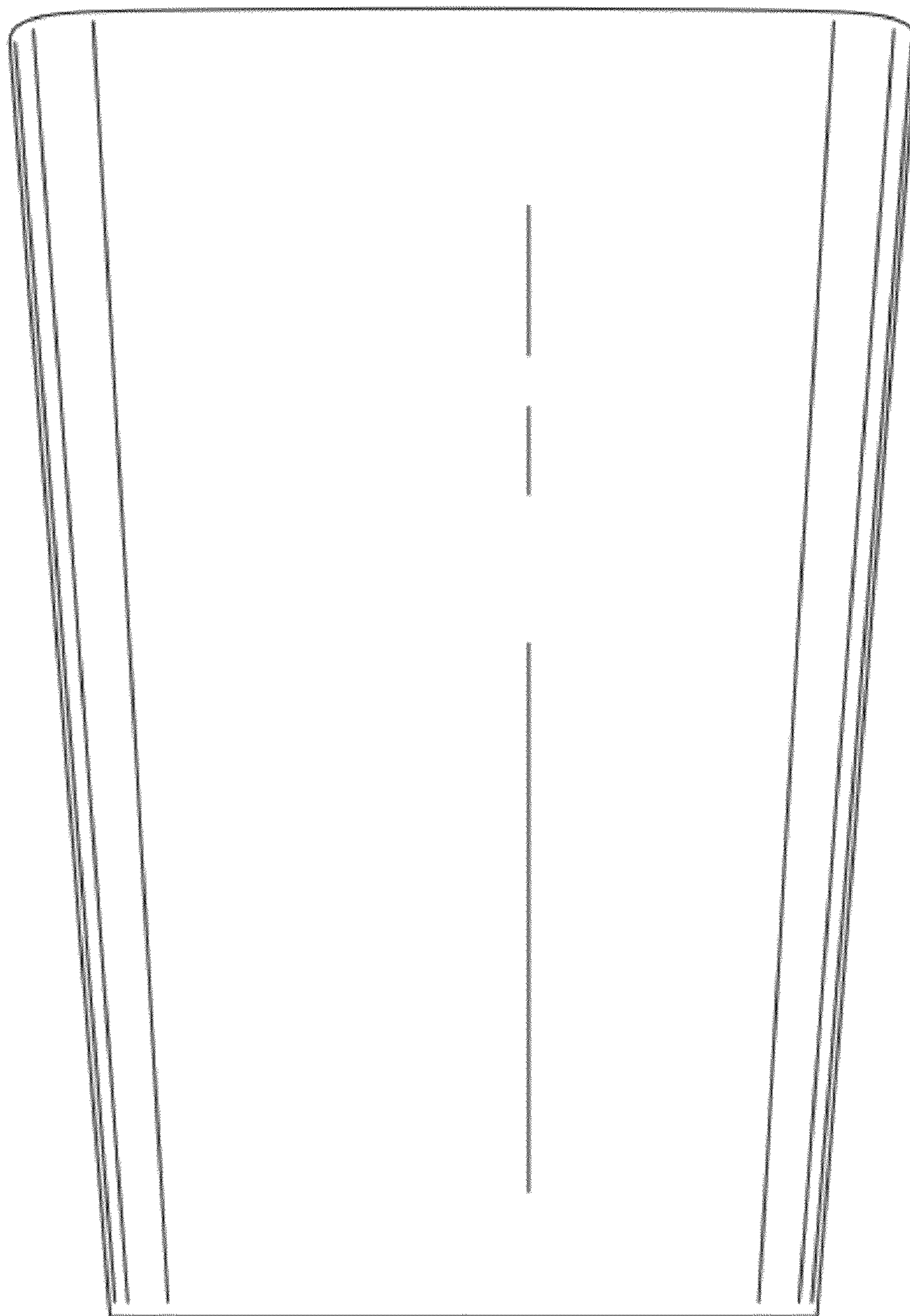


FIG. 6



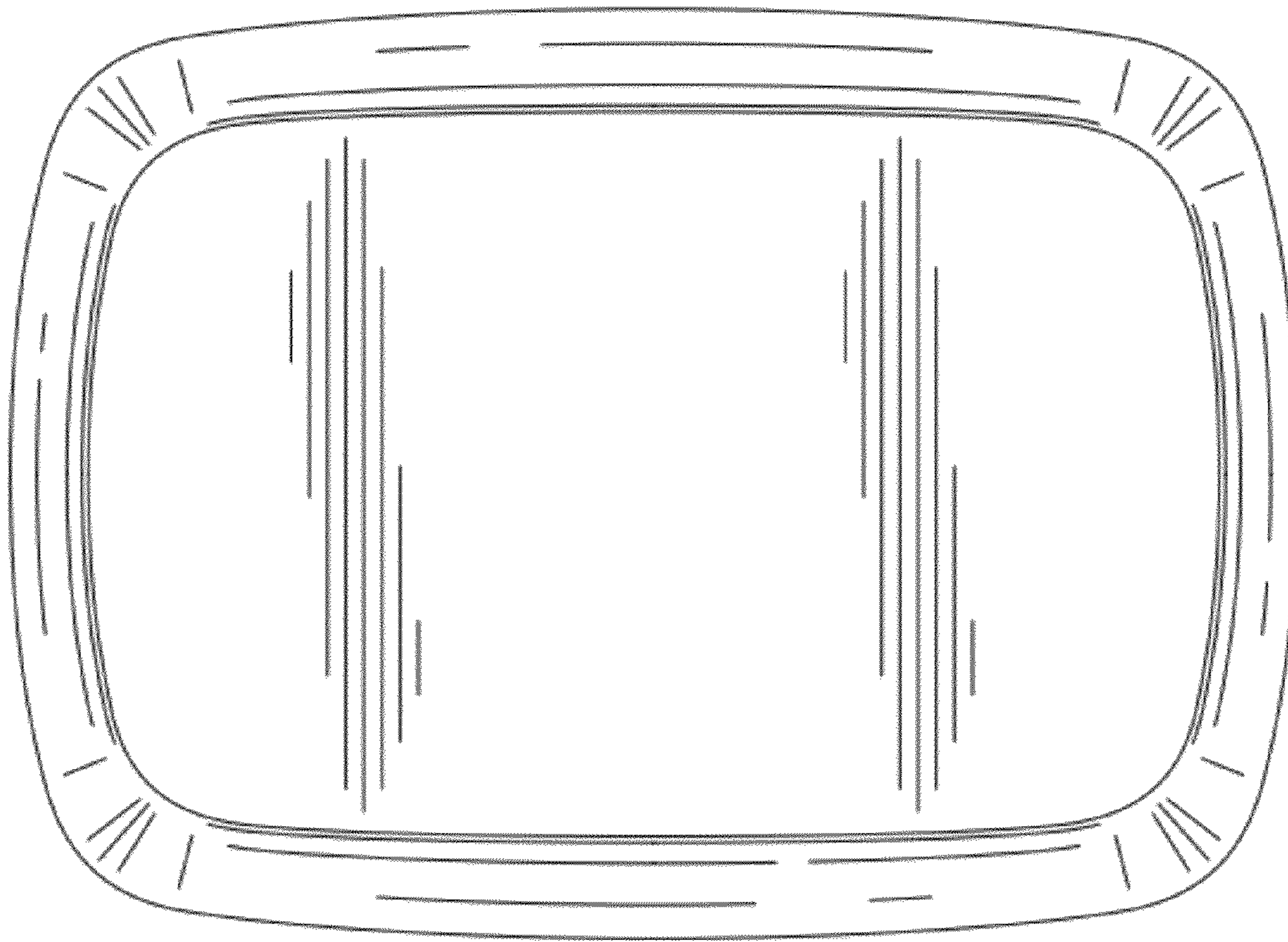


FIG. 7