

US00D660338S

(12) **United States Design Patent**
Chen

(10) **Patent No.:** **US D660,338 S**

(45) **Date of Patent:** **** May 22, 2012**

(54) **WEBCAM**

(75) **Inventor:** **Chih-Chung Chen**, New Taipei (TW)

(73) **Assignee:** **Cheng Uei Precision Industry Co., Ltd.**, New Taipei (TW)

(**) **Term:** **14 Years**

(21) **Appl. No.:** **29/393,467**

(22) **Filed:** **Jun. 3, 2011**

(51) **LOC (9) Cl.** **16-01**

(52) **U.S. Cl.** **D16/202**

(58) **Field of Classification Search** D16/200,
D16/202, 203, 204, 208, 218, 242; 348/373,
348/375; 396/419, 427, 535

See application file for complete search history.

(56) **References Cited**

U.S. PATENT DOCUMENTS

7,500,794	B1	*	3/2009	Clark	396/427
D627,813	S	*	11/2010	Chen et al.	D16/202
D631,079	S	*	1/2011	Tzeng	D16/202
D632,718	S	*	2/2011	Tzeng	D16/202

D636,422	S	*	4/2011	Hou	D16/202
D639,839	S	*	6/2011	Kao	D16/202
D641,770	S	*	7/2011	Hoehn et al.	D16/202
D649,996	S	*	12/2011	Hou	D16/202

* cited by examiner

Primary Examiner — Adir Aronovich

(74) *Attorney, Agent, or Firm* — Cheng-Ju Chiang

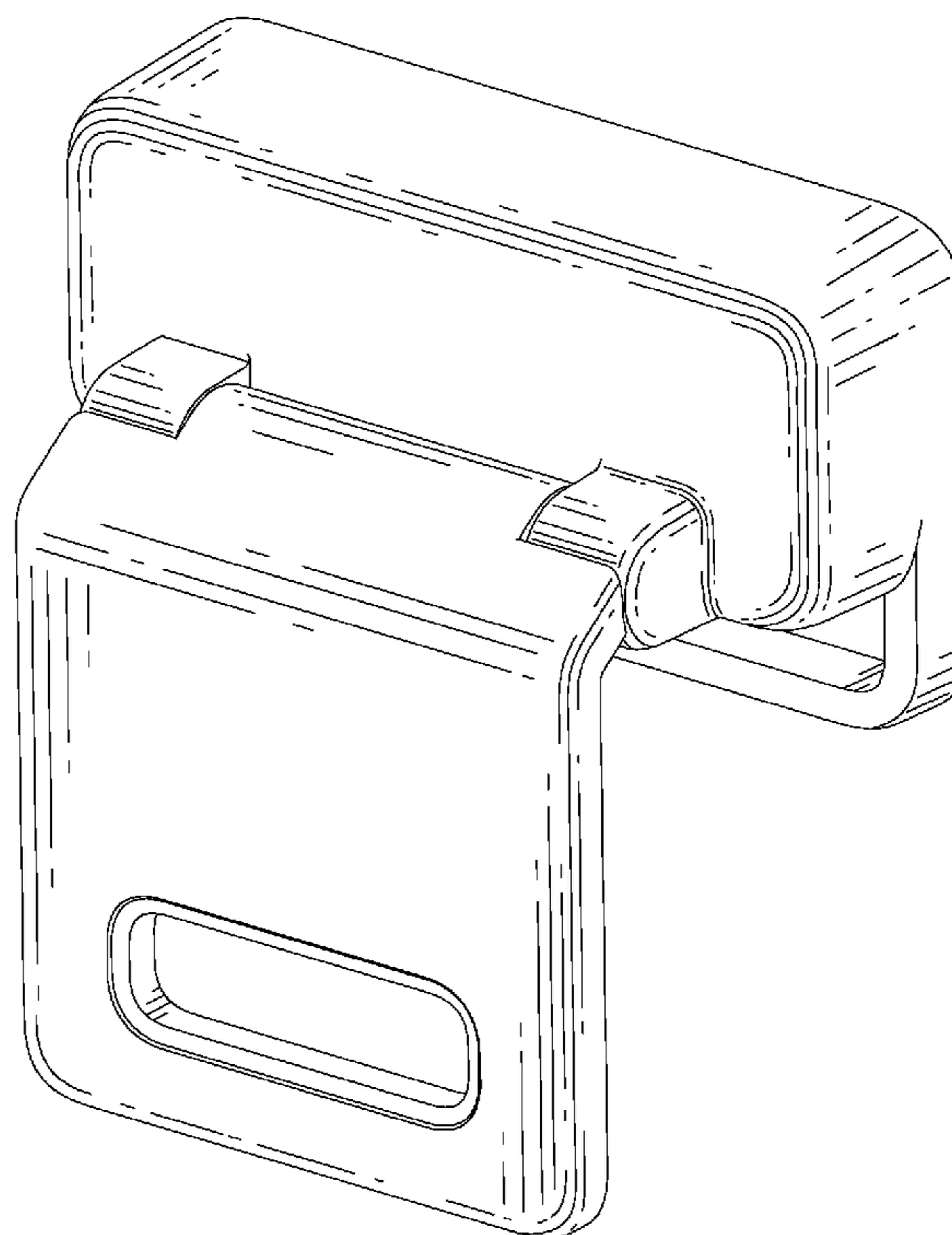
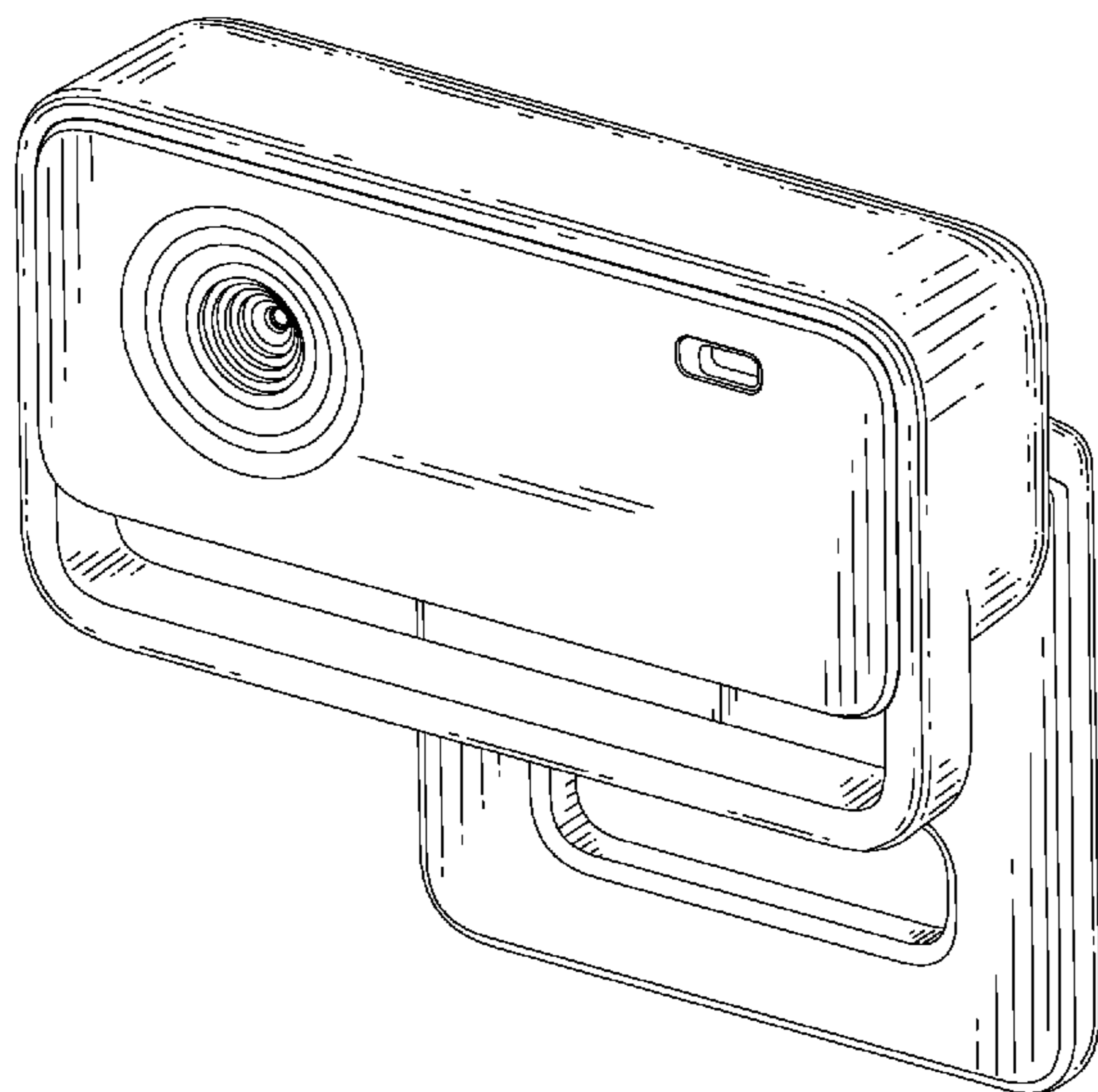
(57) **CLAIM**

The ornamental design for a webcam, as shown and described.

DESCRIPTION

FIG. 1 is a top, front and right side perspective view of a webcam showing my new design;
FIG. 2 is a front elevational view thereof;
FIG. 3 is a rear elevational view thereof;
FIG. 4 is a left side elevational view thereof;
FIG. 5 is a right side elevational view thereof;
FIG. 6 is a top plan view thereof;
FIG. 7 is a bottom plan view thereof; and,
FIG. 8 is a top, rear and left side perspective view thereof.

1 Claim, 8 Drawing Sheets



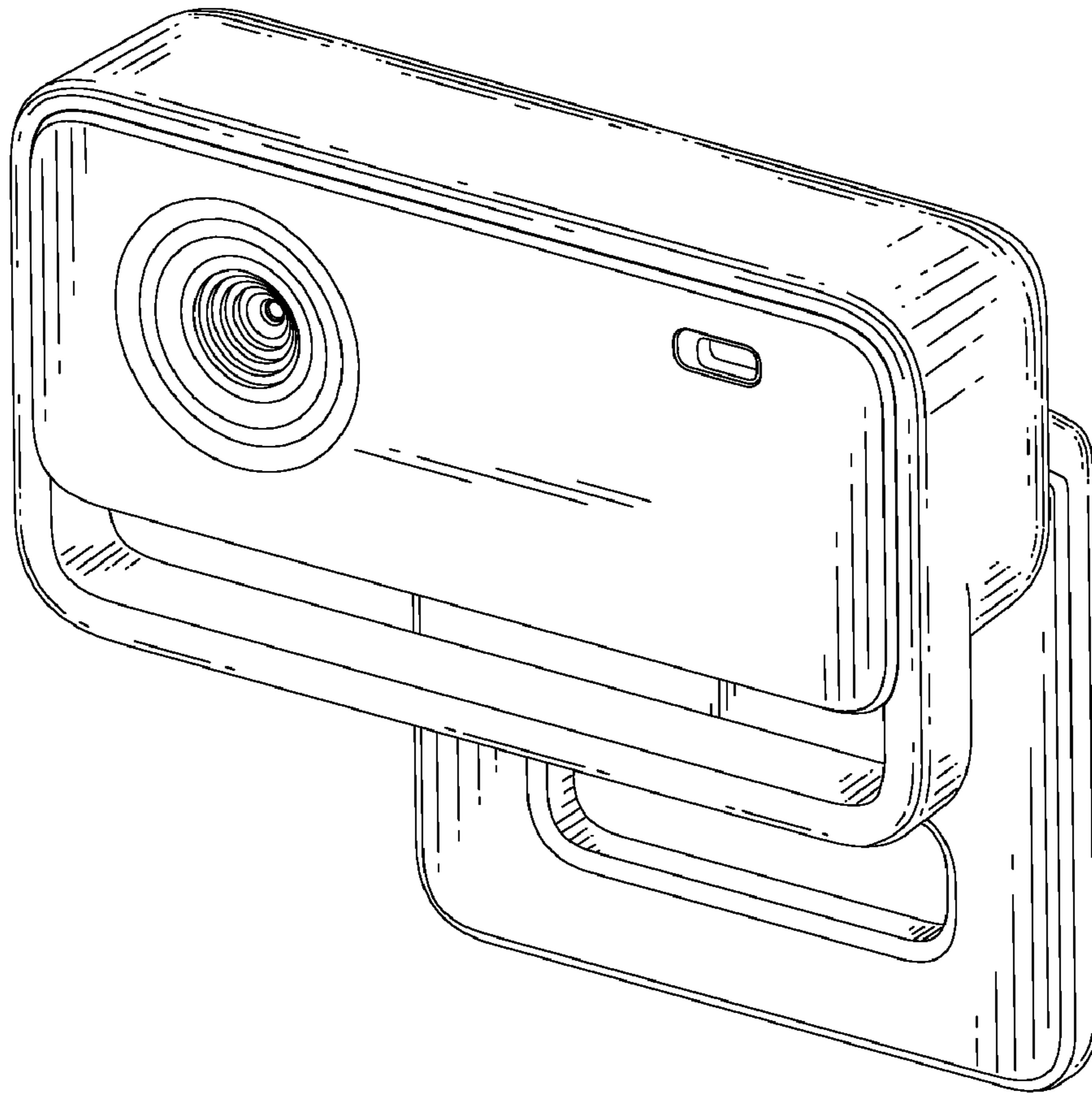


FIG. 1

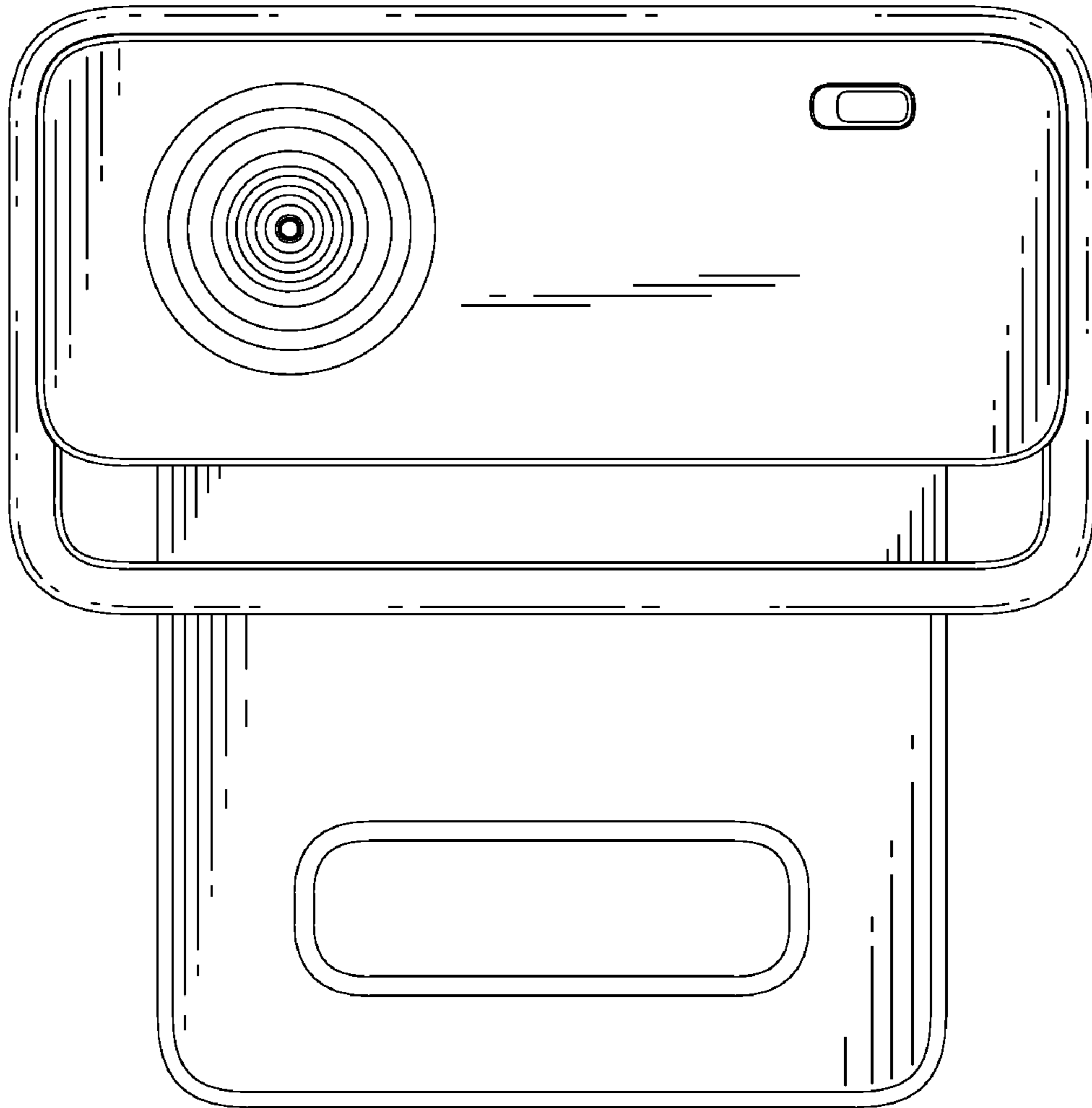


FIG. 2

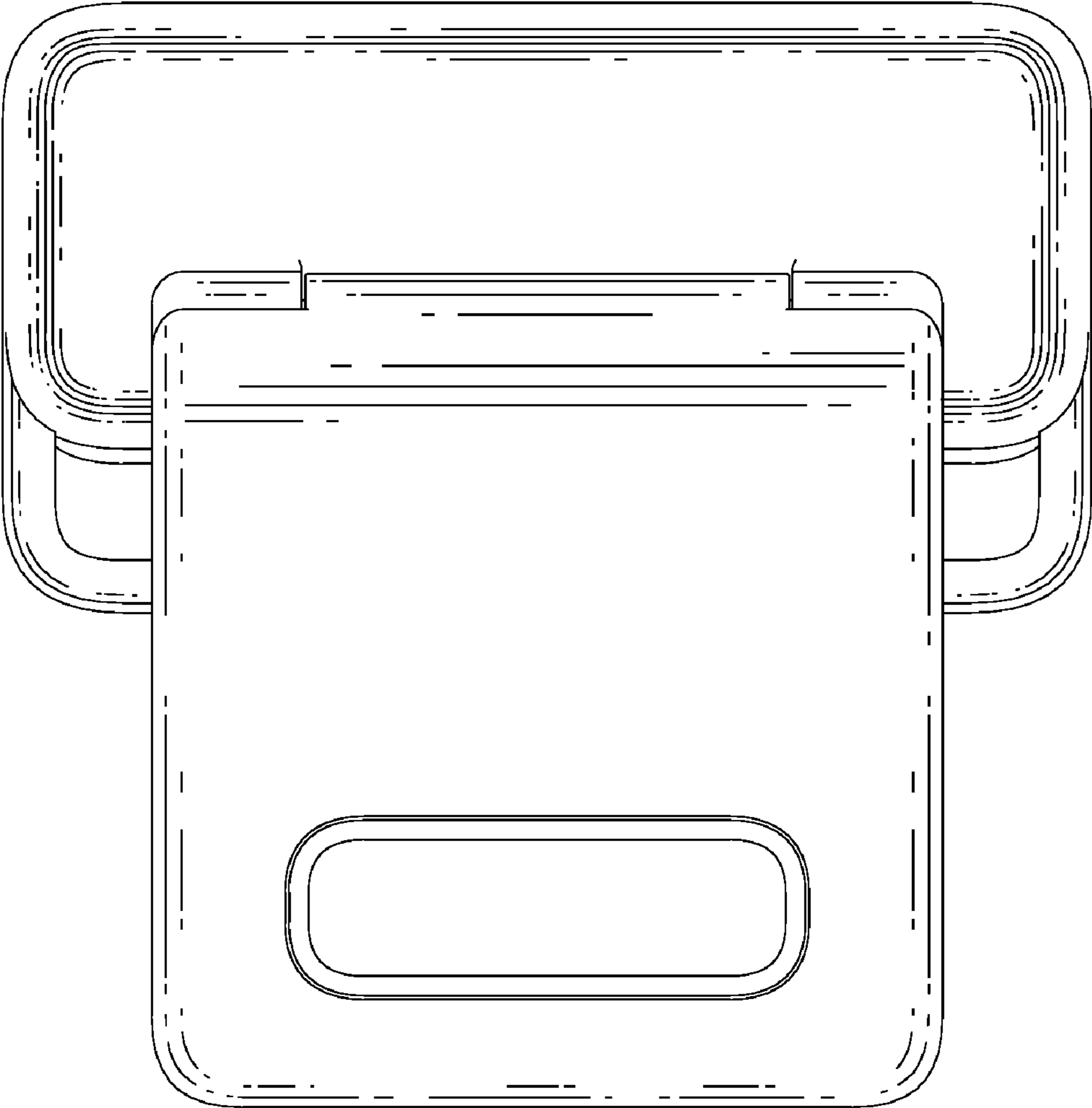


FIG. 3

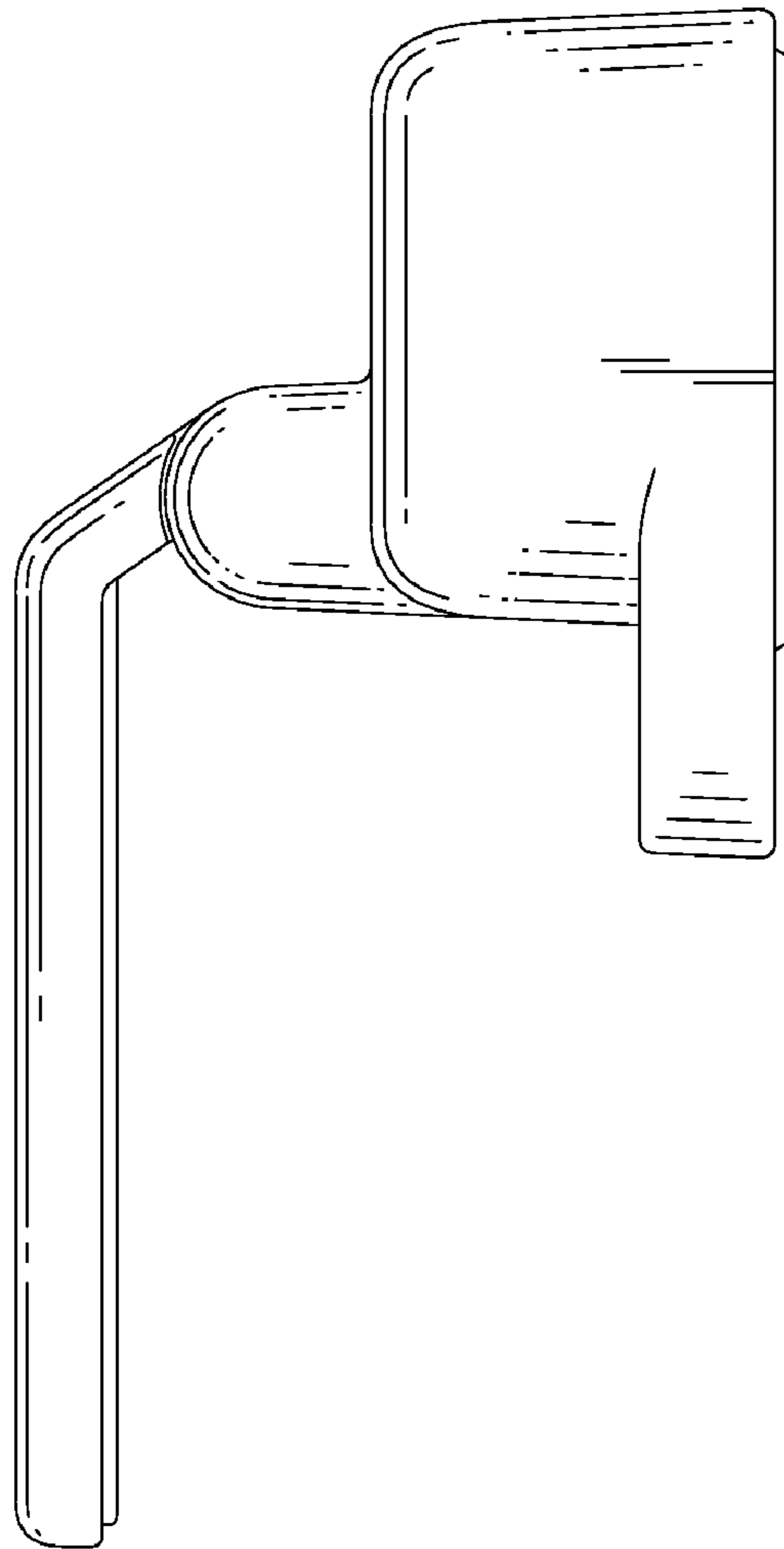


FIG. 4

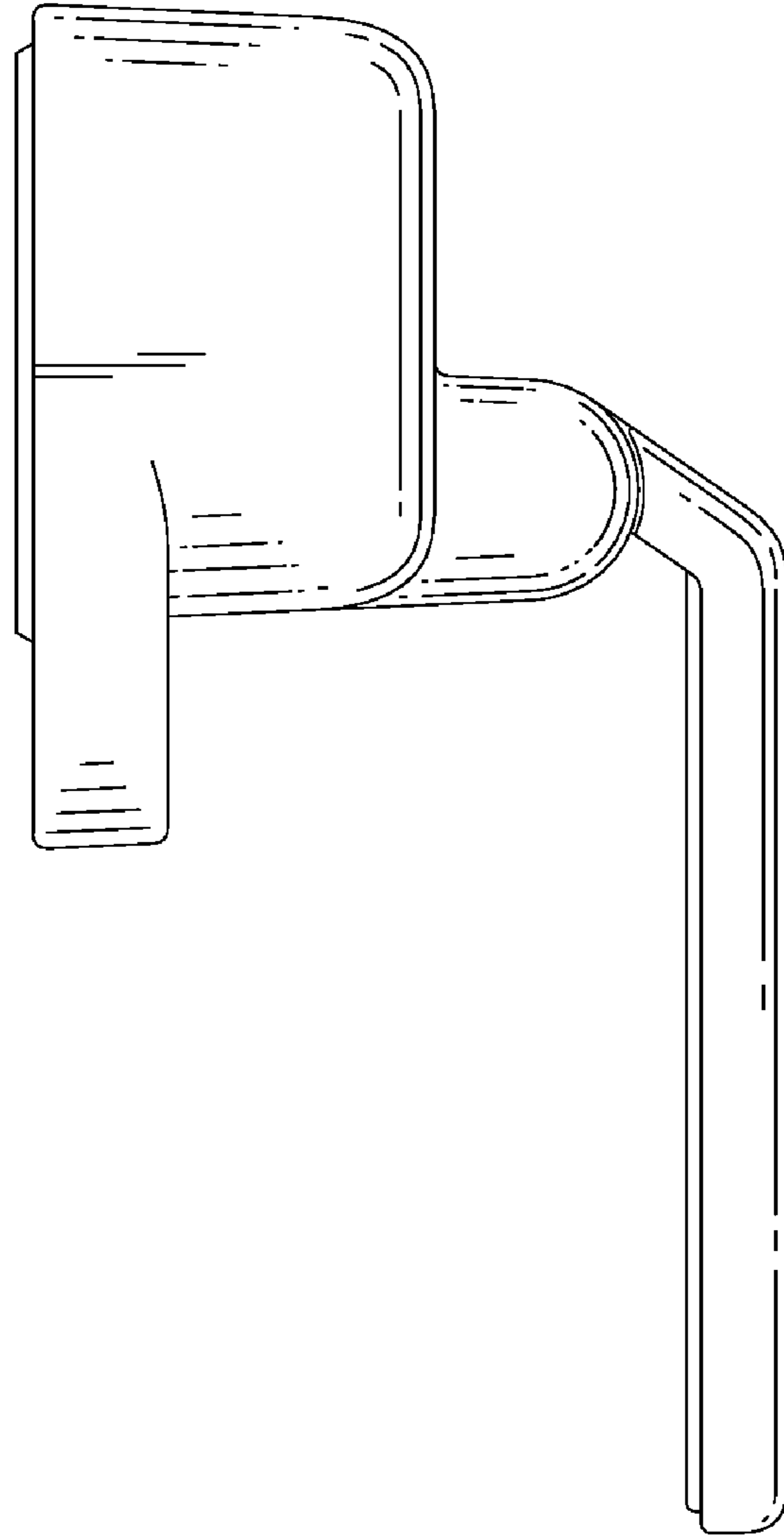


FIG. 5

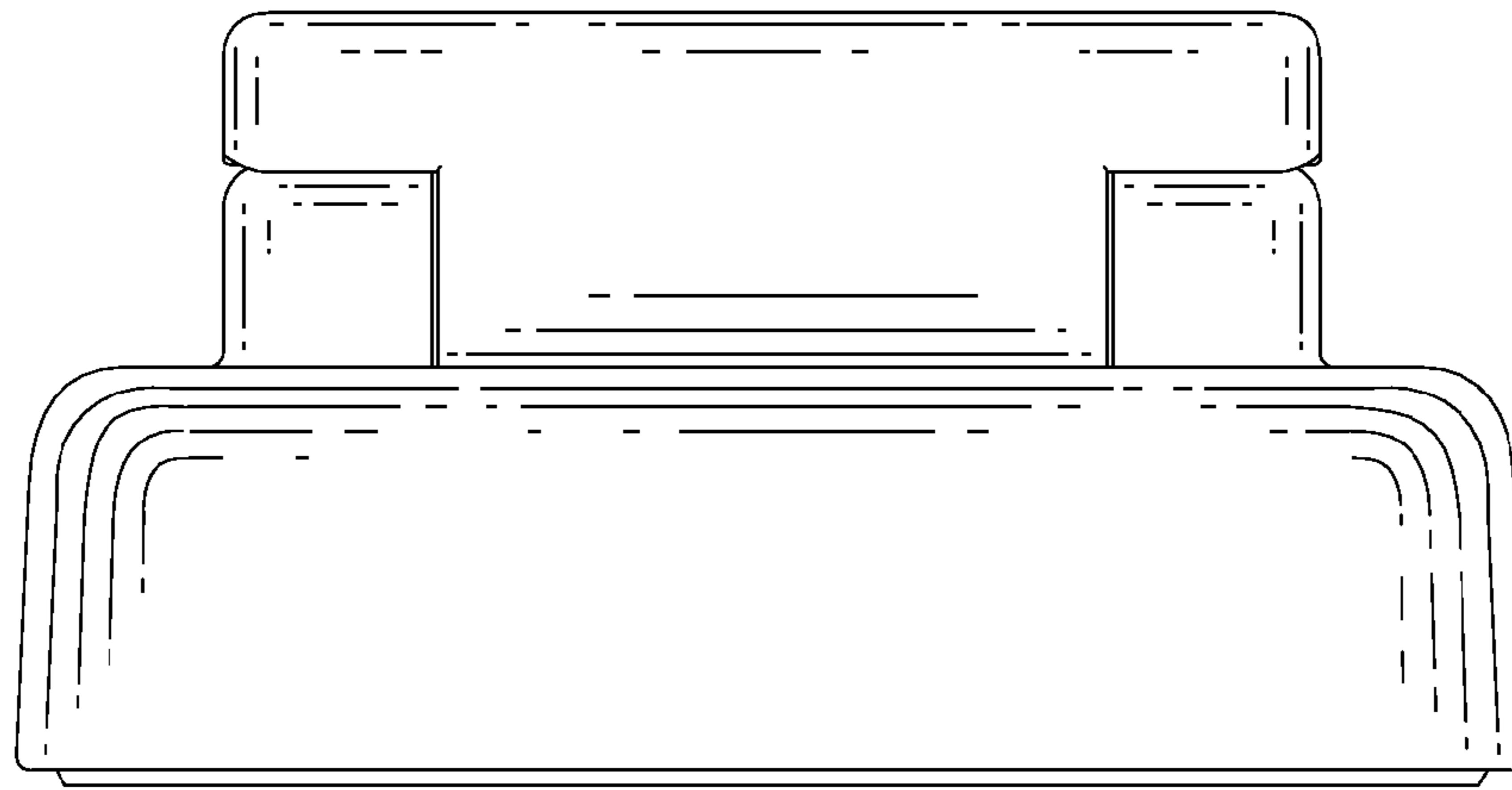


FIG. 6

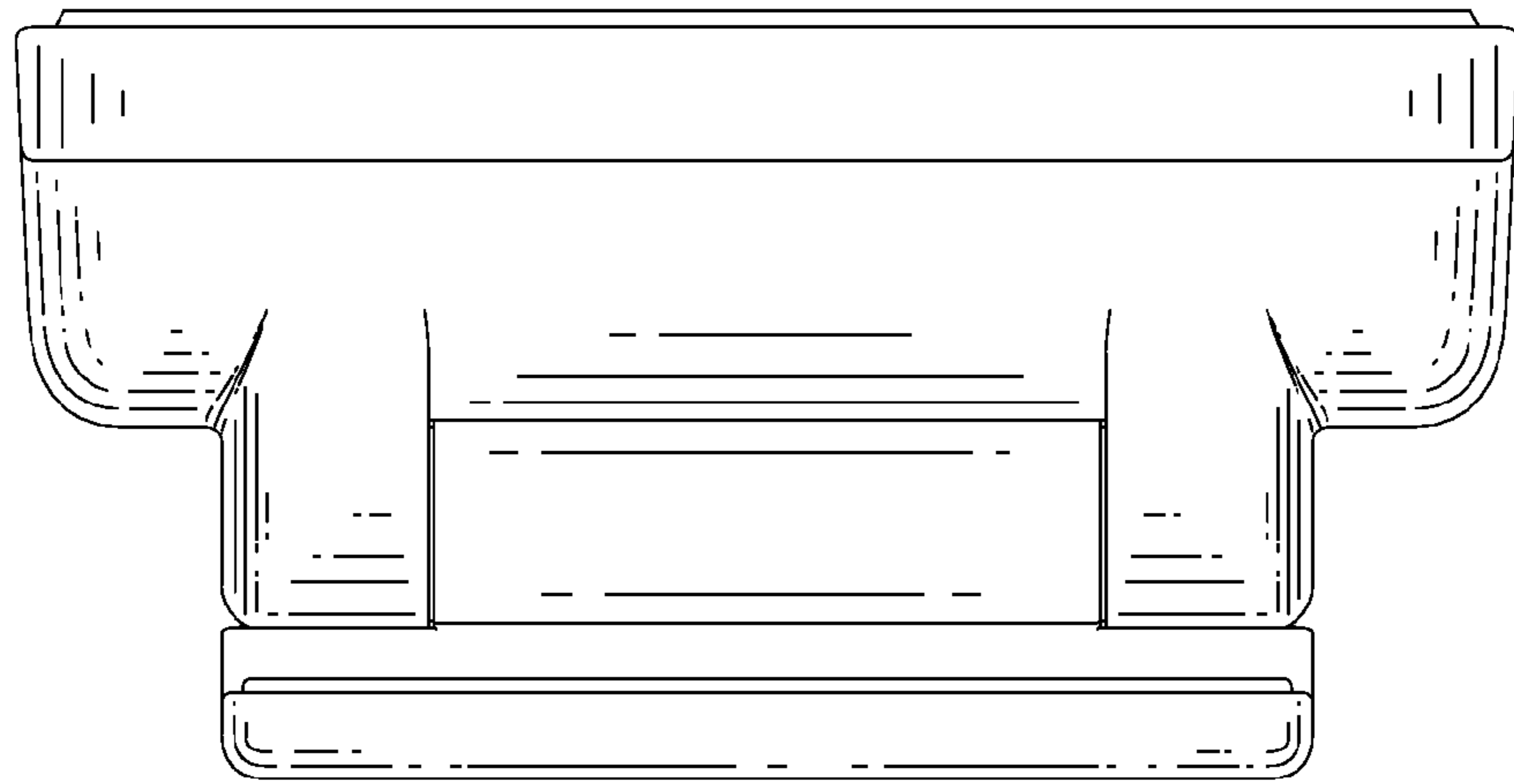


FIG. 7

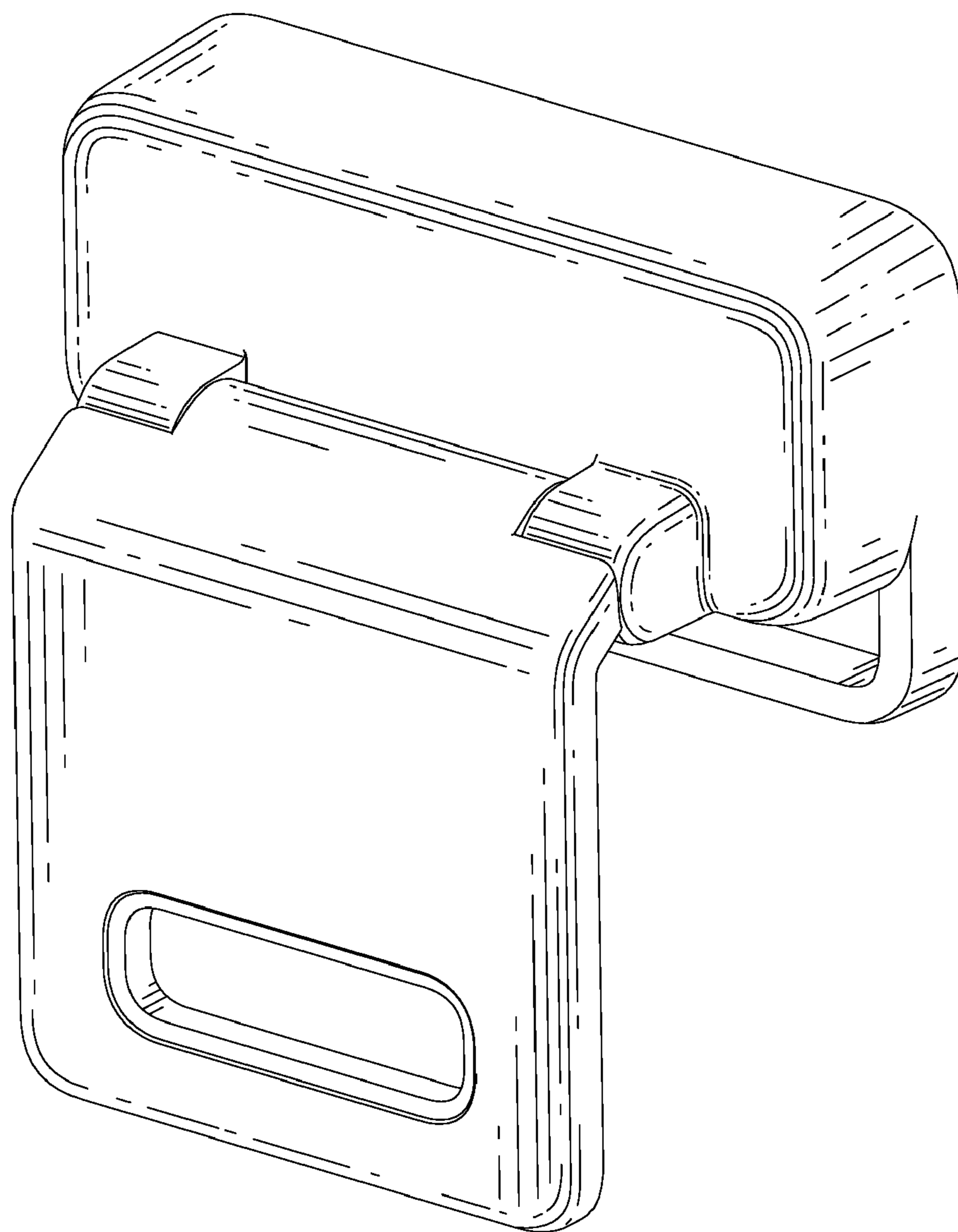


FIG. 8