

US00D660336S

(12) **United States Design Patent**  
**Fehrer et al.**

(10) **Patent No.:** **US D660,336 S**  
(45) **Date of Patent:** **\*\* May 22, 2012**

(54) **DETECTOR FOR MICROSCOPE**

(75) Inventors: **Dirk-Oliver Fehrer**, Bad Schoenborn (DE); **Frank Schreiber**, Dossenheim (DE)

(73) Assignee: **Leica Microsystems CMS GmbH**, Wetzlar (DE)

(\*\*) Term: **14 Years**

(21) Appl. No.: **29/397,188**

(22) Filed: **Jul. 13, 2011**

(30) **Foreign Application Priority Data**

Feb. 25, 2011 (EM) ..... 001827007-0001

(51) **LOC (9) Cl.** ..... **16-06**

(52) **U.S. Cl.** ..... **D16/131**

(58) **Field of Classification Search** ..... D16/130, D16/131, 136; 359/363, 726, 381, 384, 385, 359/707, 708, 722, 505, 369, 811; 250/208.1, 250/239; D23/224, 225; D24/224, 225; 356/225

See application file for complete search history.

(56) **References Cited**

**U.S. PATENT DOCUMENTS**

D163,628	S	*	6/1951	Perkins	.....	D16/131
2,954,721	A	*	10/1960	Voelker	.....	359/726
2,957,085	A	*	10/1960	Faulhaber	.....	250/229
2,959,097	A	*	11/1960	Mollring	.....	359/385
3,414,345	A	*	12/1968	Mollring	.....	359/385

D238,693	S	*	2/1976	Solazzi	.....	D24/232
D242,790	S	*	12/1976	Armbruster	.....	D16/131
4,391,497	A	*	7/1983	Imada et al.	.....	359/381
D290,128	S	*	6/1987	Kahute	.....	D16/131
D294,036	S	*	2/1988	Yamada	.....	D16/131
4,796,985	A	*	1/1989	Onanian	.....	359/383
4,867,563	A	*	9/1989	Wurm et al.	.....	356/328
D310,088	S	*	8/1990	Sluyter	.....	D16/130
D310,381	S	*	9/1990	Charles	.....	D16/136
5,062,697	A	*	11/1991	Mitchell	.....	359/379
6,982,827	B2	*	1/2006	Mora	.....	359/384
7,072,106	B2	*	7/2006	Bendlin	.....	359/396
7,102,817	B1	*	9/2006	Wu	.....	359/384

\* cited by examiner

*Primary Examiner* — Paula Greene

(74) *Attorney, Agent, or Firm* — Crowell & Moring LLP

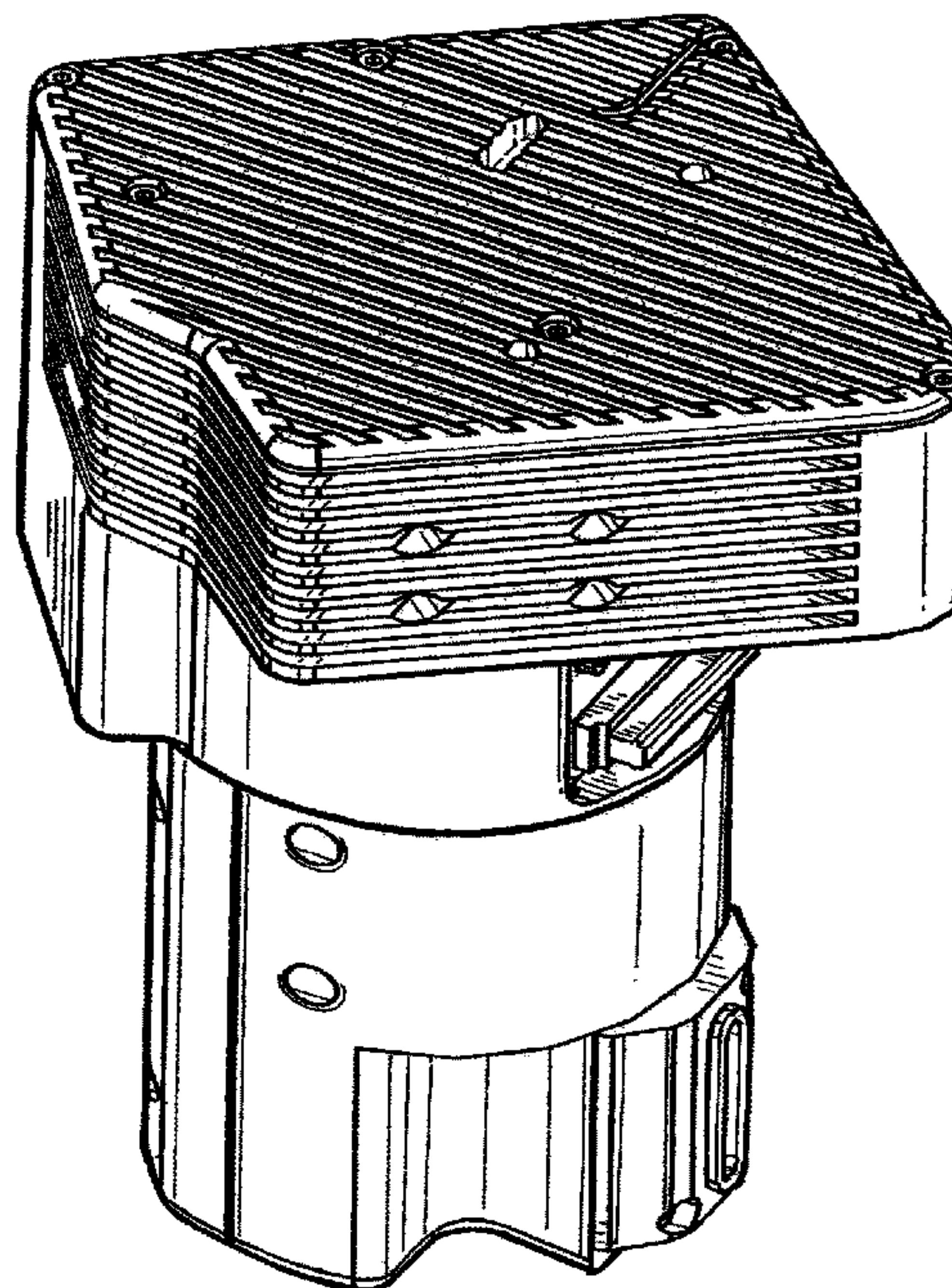
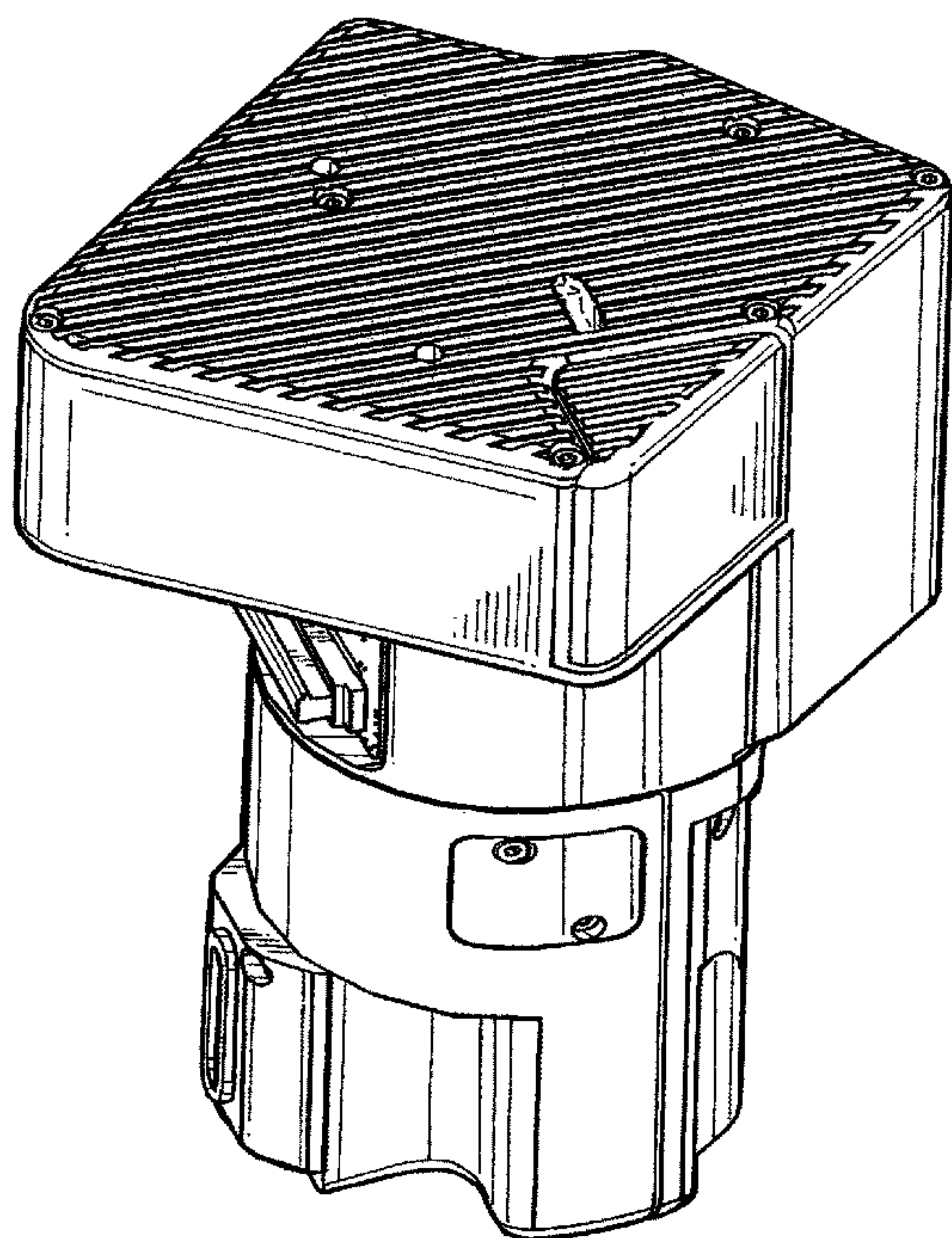
(57) **CLAIM**

The ornamental design for a detector for microscope, as shown and described.

**DESCRIPTION**

FIG. 1 is a top, right perspective view of a detector for microscope according to our design;  
FIG. 2 is a top, left perspective view thereof;  
FIG. 3 is a bottom, front perspective view thereof;  
FIG. 4 is a bottom, rear perspective view thereof;  
FIG. 5 is a front view thereof;  
FIG. 6 is a rear view thereof;  
FIG. 7 is a left side view thereof;  
FIG. 8 is a right side view thereof;  
FIG. 9 is a top view thereof; and,  
FIG. 10 is a bottom view thereof.

**1 Claim, 9 Drawing Sheets**



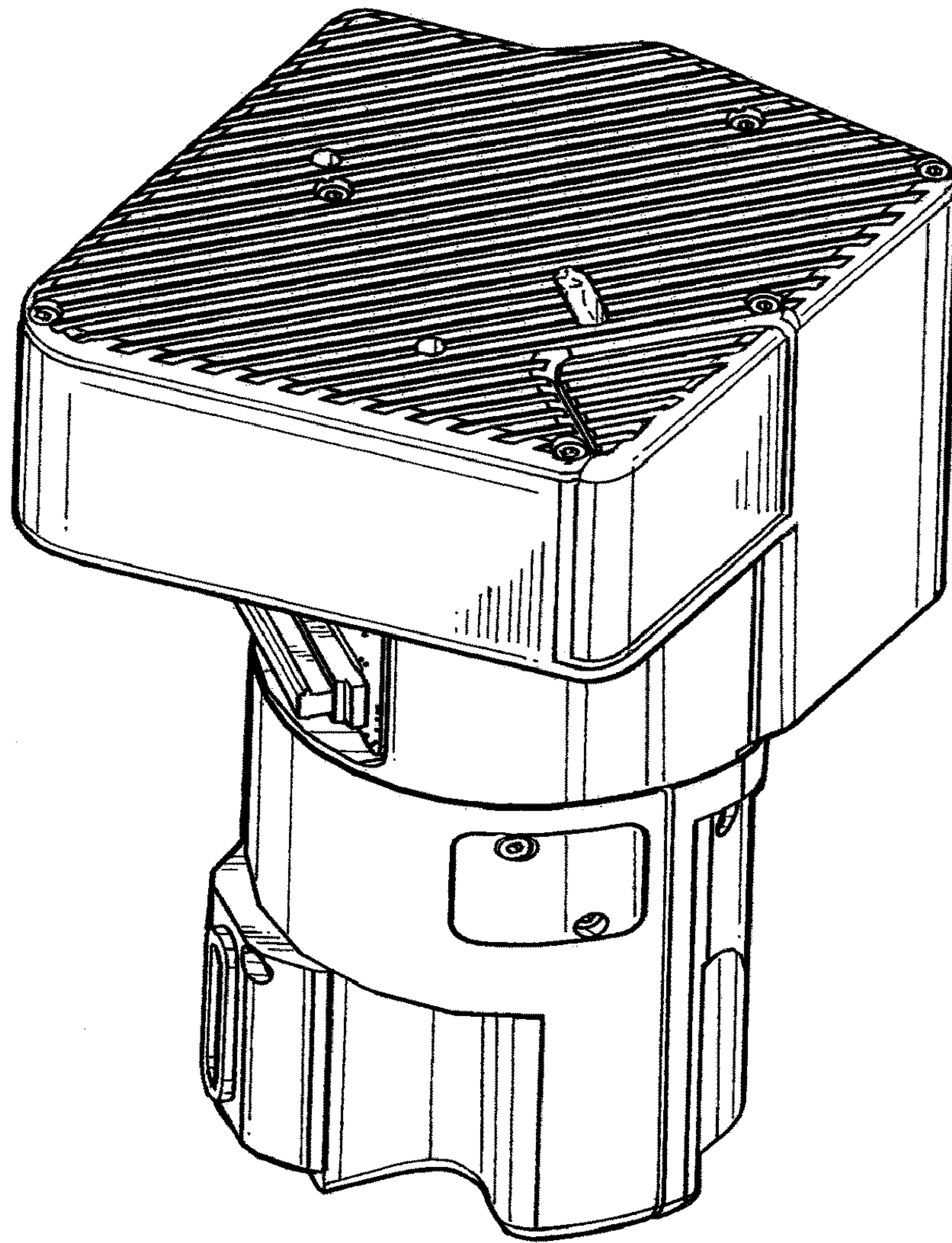


FIG. 1



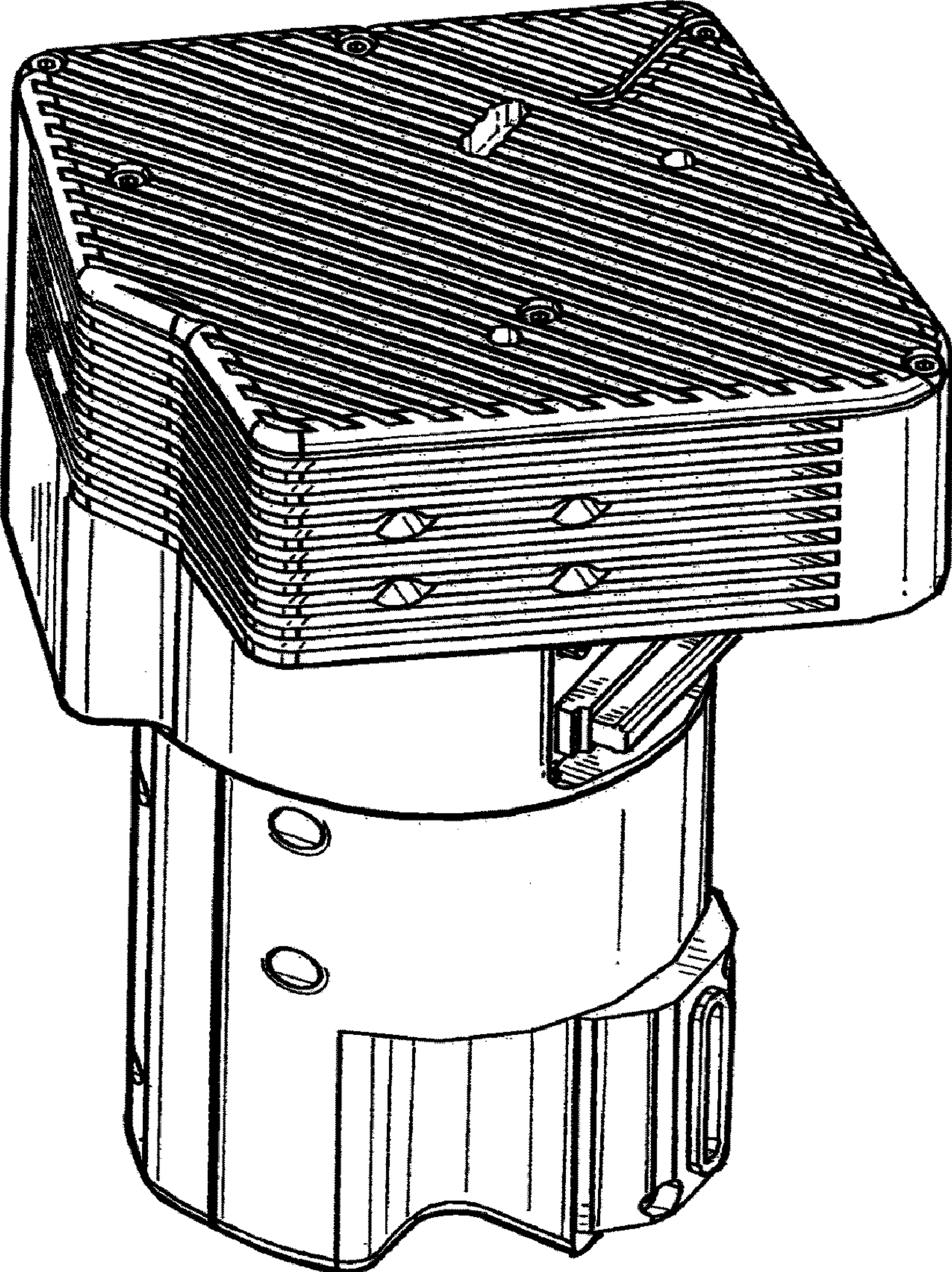


FIG. 2

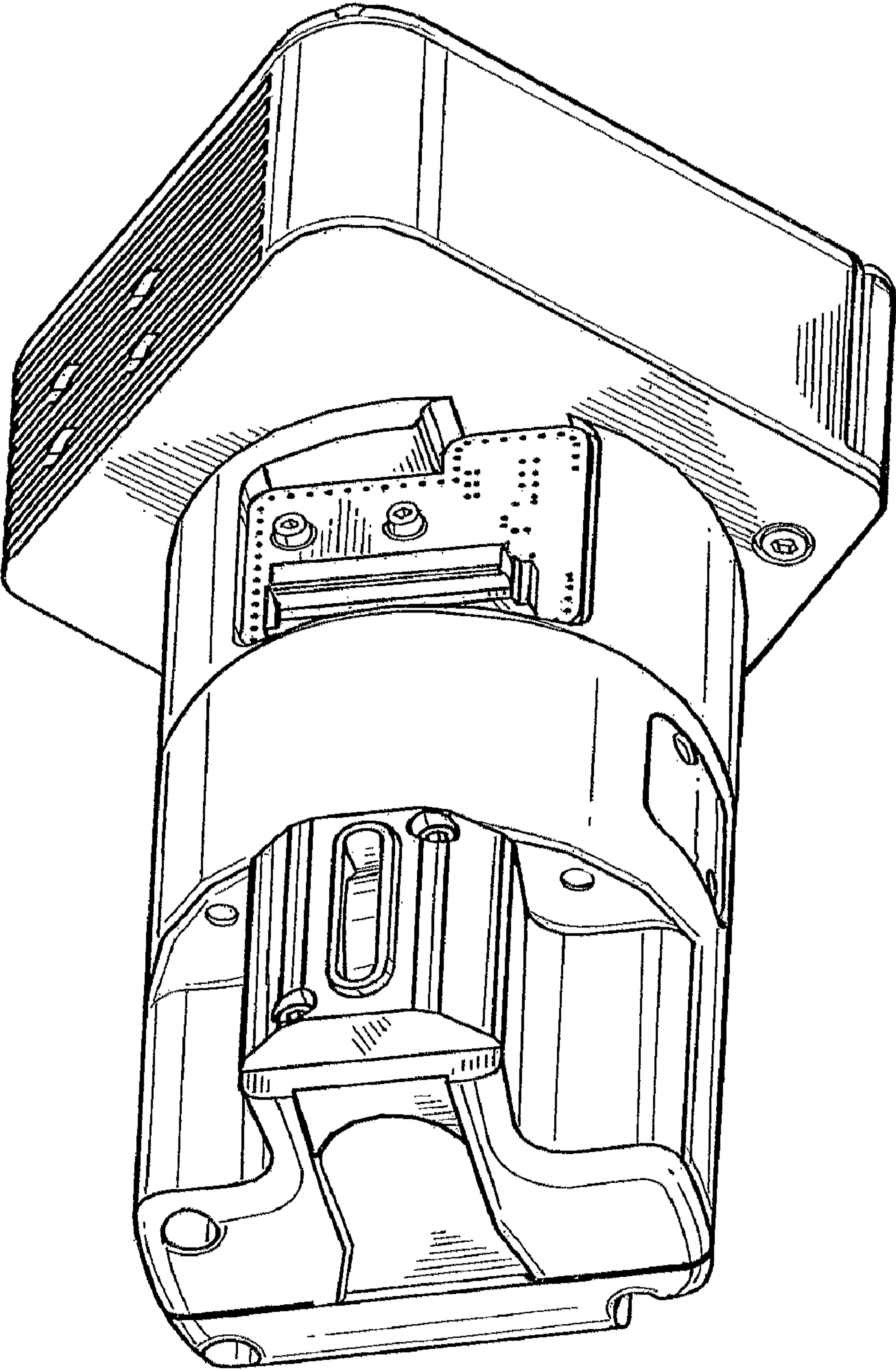


FIG. 3



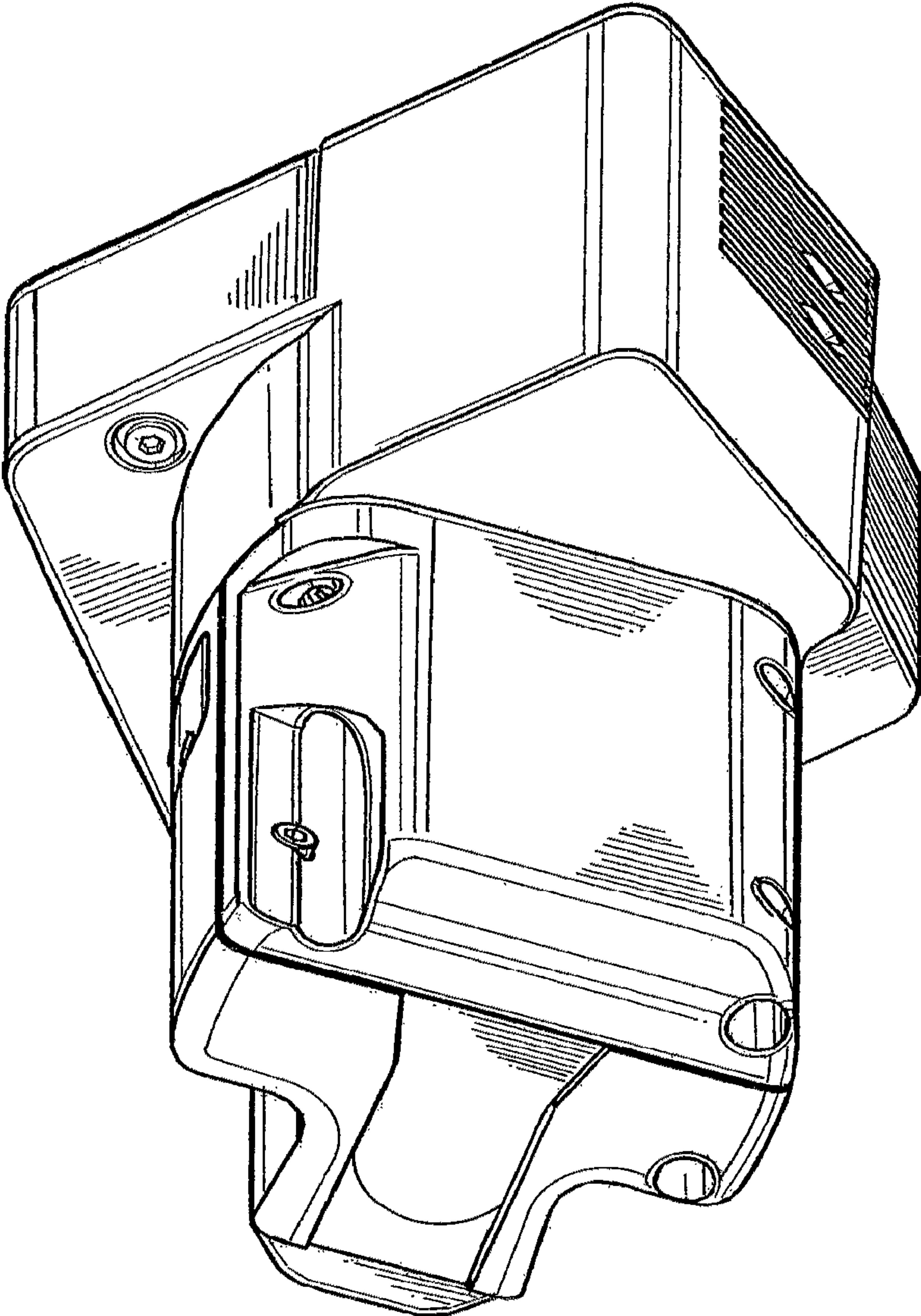


FIG. 4

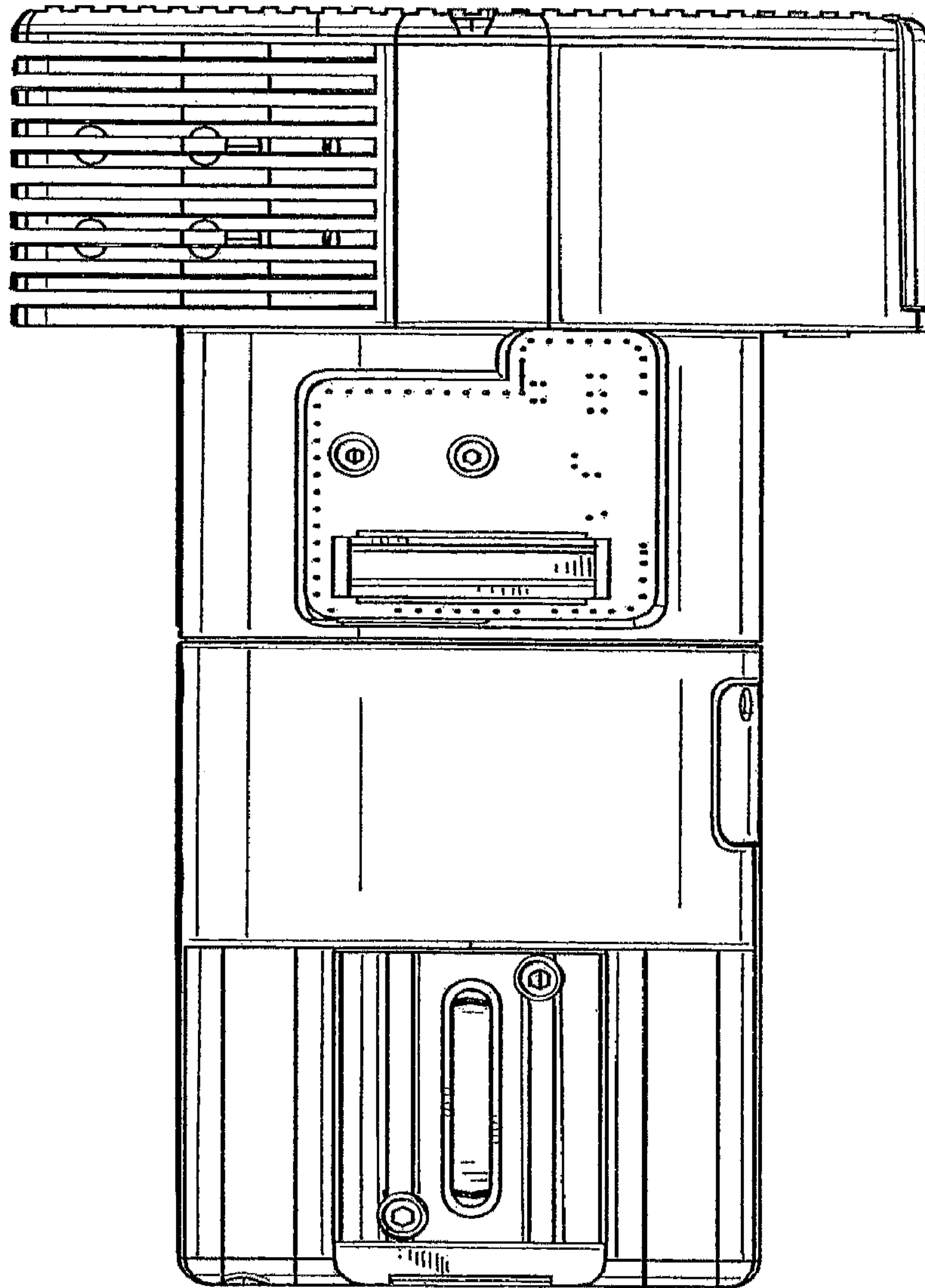


FIG. 5

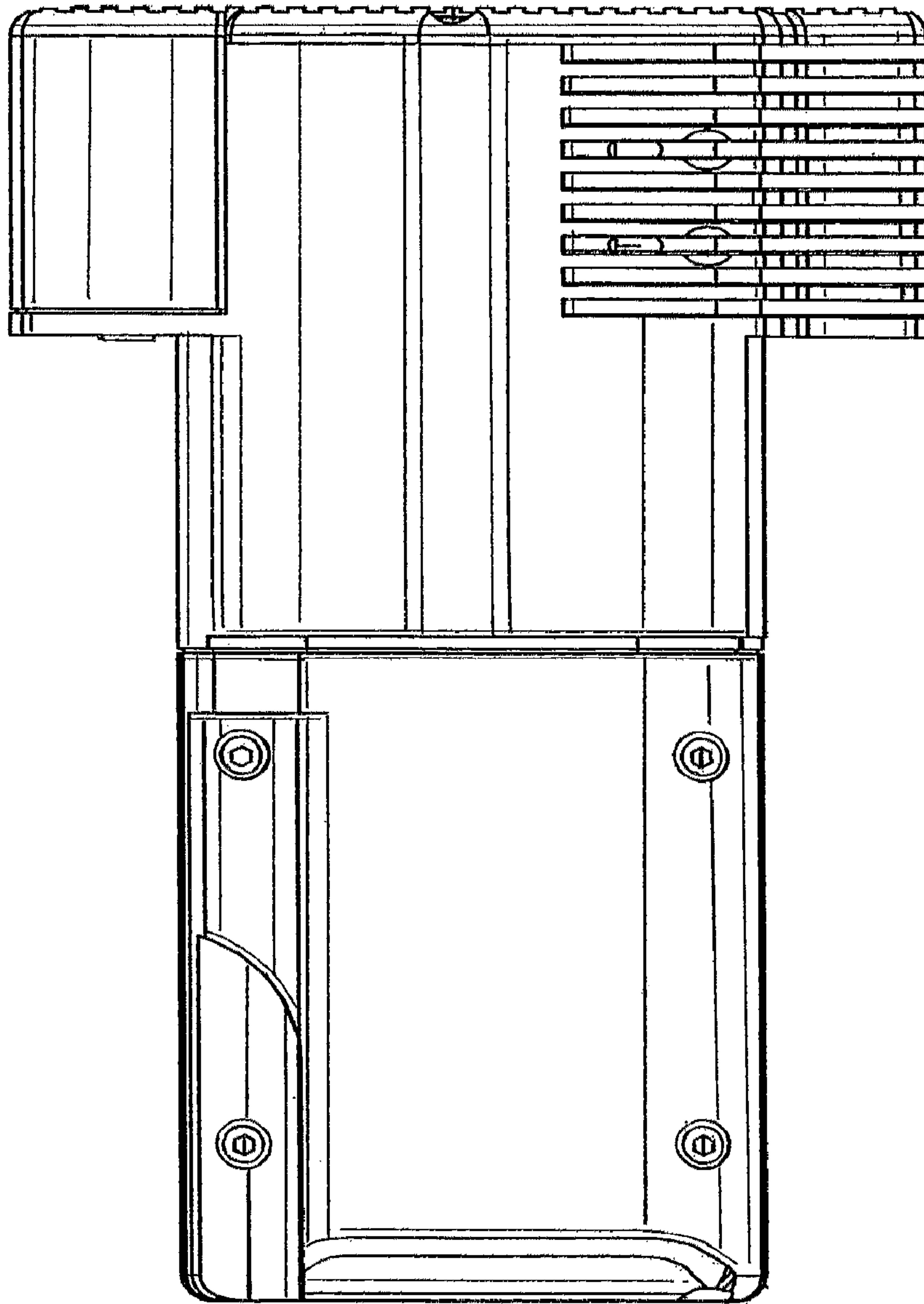


FIG. 6

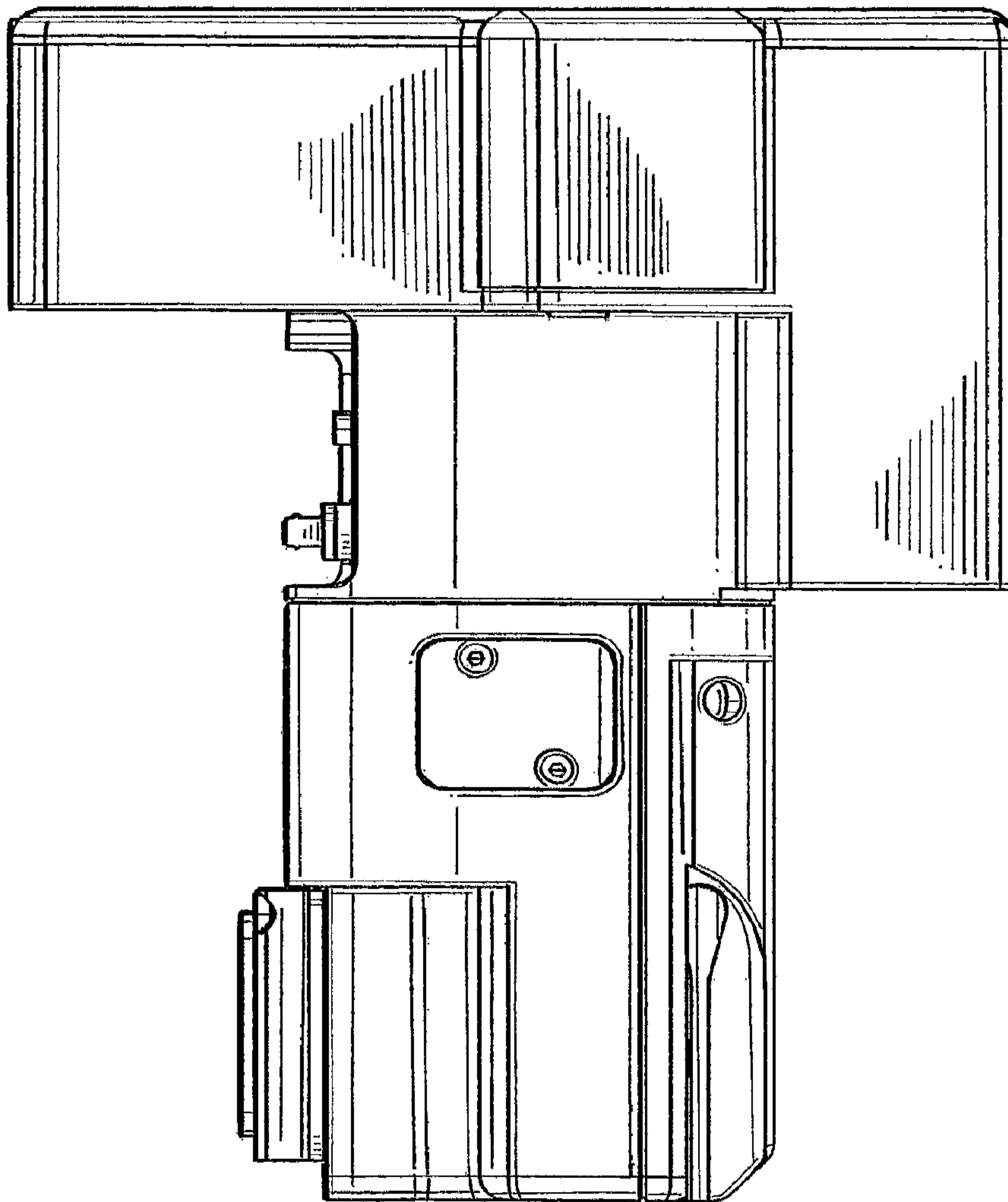


FIG. 7



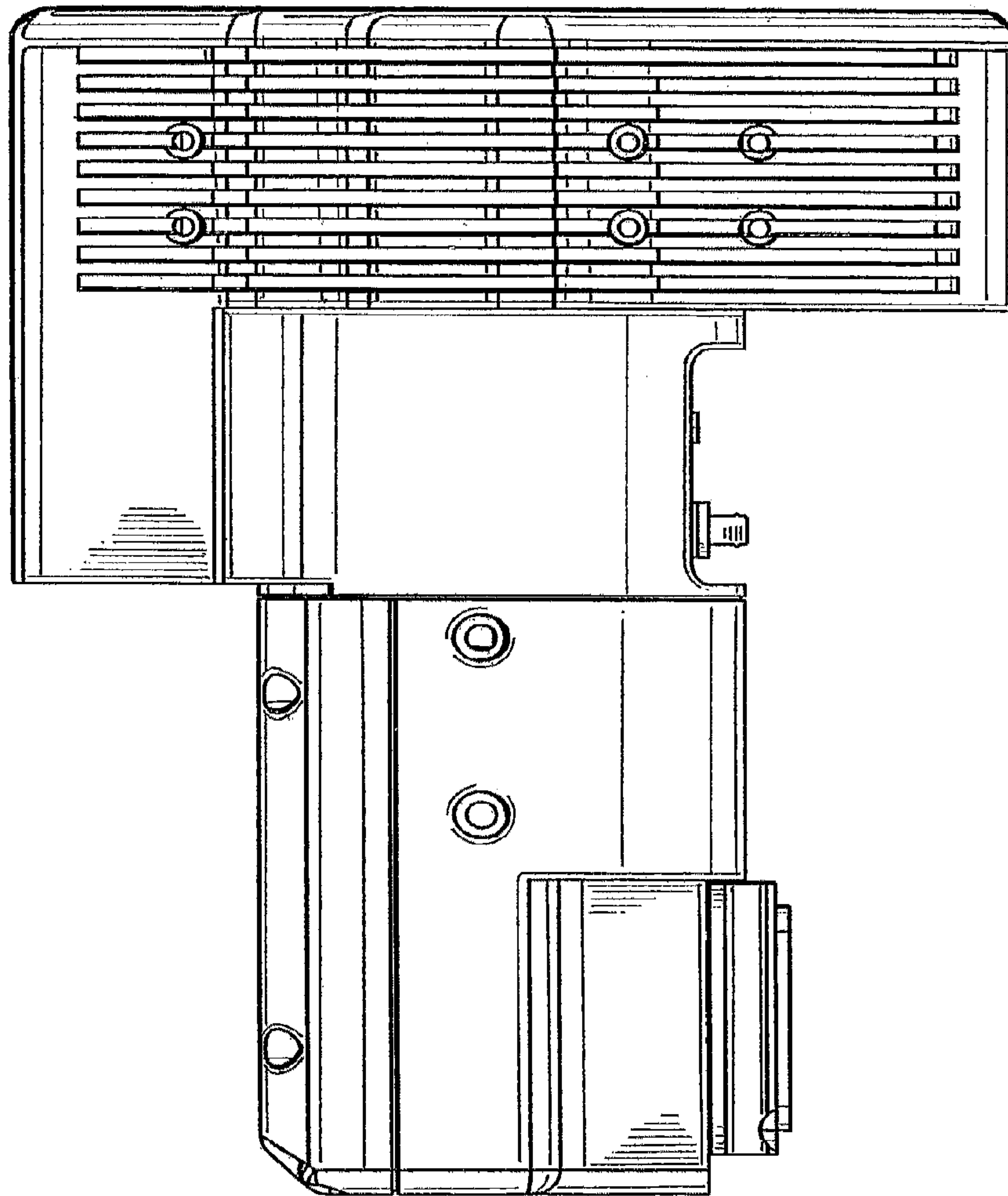


FIG. 8

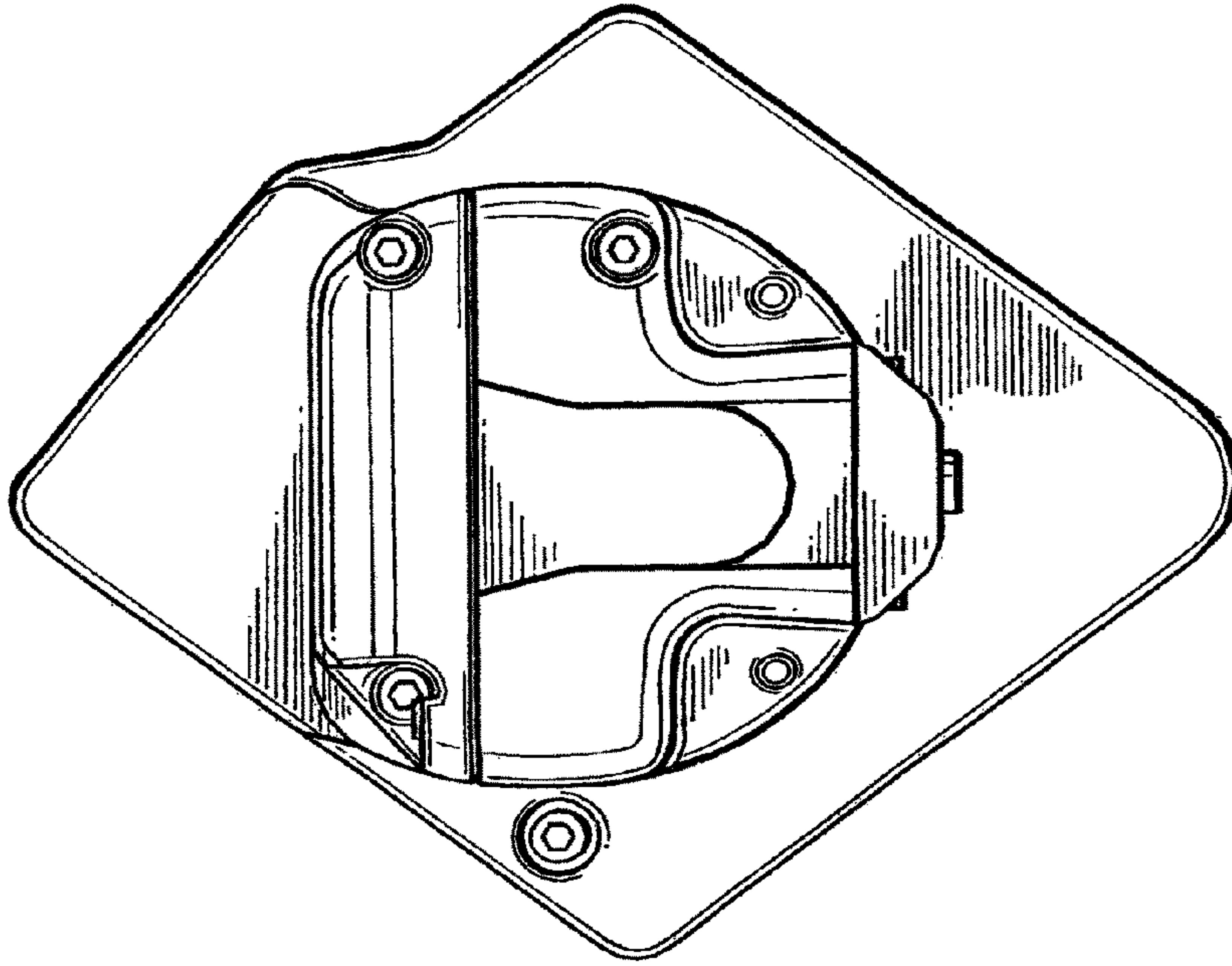


FIG. 10

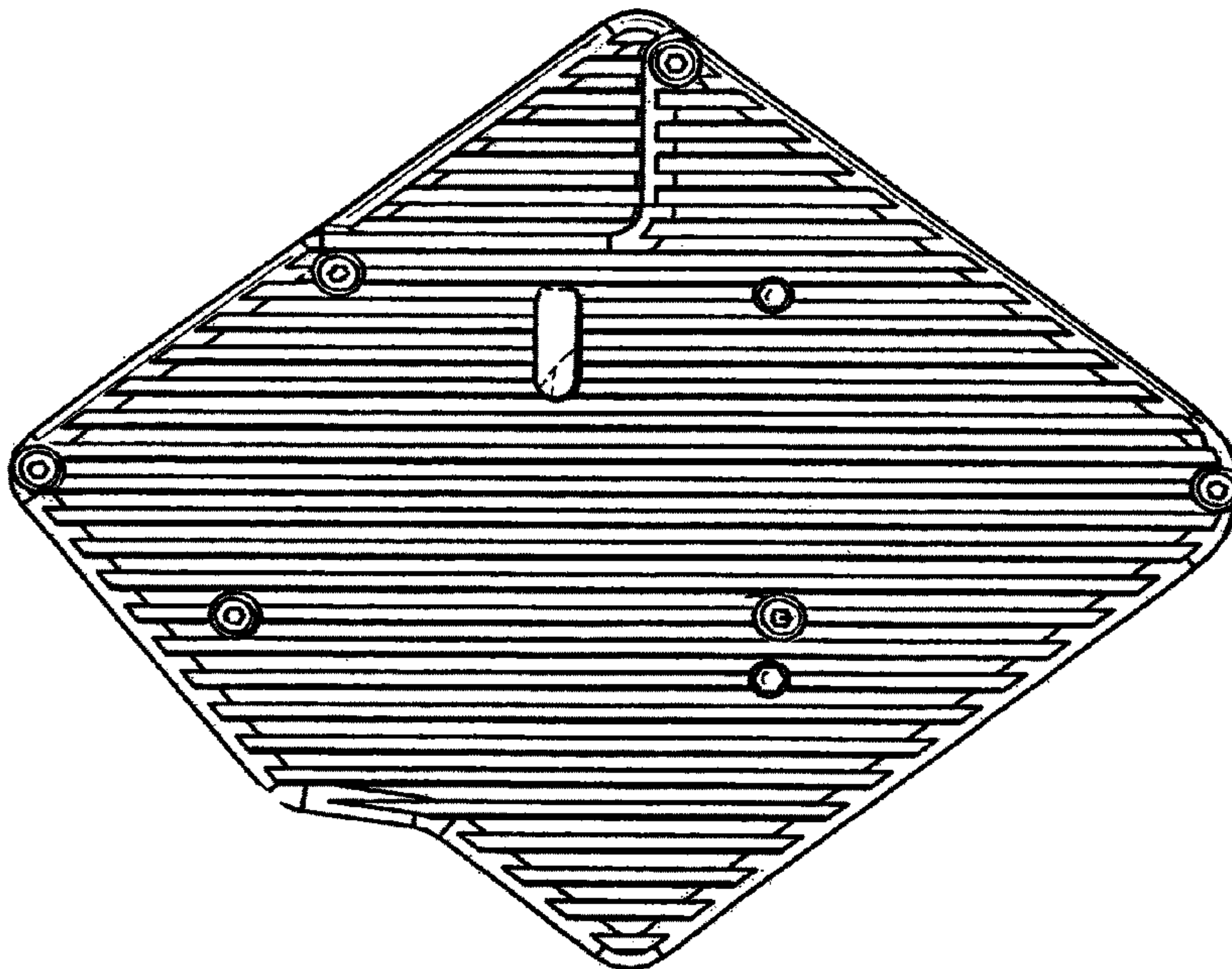


FIG. 9