

US00D660327S

(12) **United States Design Patent**
Doberstein et al.

(10) **Patent No.:** **US D660,327 S**

(45) **Date of Patent:** **** May 22, 2012**

(54) **BEVERAGE RACK**

(75) Inventors: **Andrew J. Doberstein**, Hartford, WI (US); **Joseph H. Zyduck**, Mukwonago, WI (US); **Kevin D. Kinch**, Sussex, WI (US)

(73) Assignee: **U-Line Corporation**, Milwaukee, WI (US)

(**) Term: **14 Years**

(21) Appl. No.: **29/391,181**

(22) Filed: **May 4, 2011**

(51) **LOC (9) Cl.** **15-07**

(52) **U.S. Cl.** **D15/89**

(58) **Field of Classification Search** D15/79, D15/81, 89; D3/304, 309, 315; D7/552.1, D7/701-708; 211/71.01, 74, 134, 135; 312/116, 312/138.1, 236, 321.5, 350, 401-408
See application file for complete search history.

(56) **References Cited**

U.S. PATENT DOCUMENTS

D126,228 S *	4/1941	Young	D15/89
D127,289 S *	5/1941	Young	D15/89
D214,219 S	5/1969	Swartz		
D226,889 S	5/1973	Bauer et al.		
D255,242 S *	6/1980	Berman et al.	D15/89

D300,293 S	3/1989	Casey		
D506,364 S	6/2005	Pratt		
D512,283 S	12/2005	Pratt		
D520,239 S	5/2006	Rand et al.		
D551,262 S *	9/2007	Becke	D15/89
D551,263 S *	9/2007	Becke	D15/89
D554,160 S *	10/2007	Morrison et al.	D15/89
D650,397 S *	12/2011	Hartsfield et al.	D15/89

* cited by examiner

Primary Examiner — Mitchell Siegel

(74) *Attorney, Agent, or Firm* — Quarles & Brady LLP

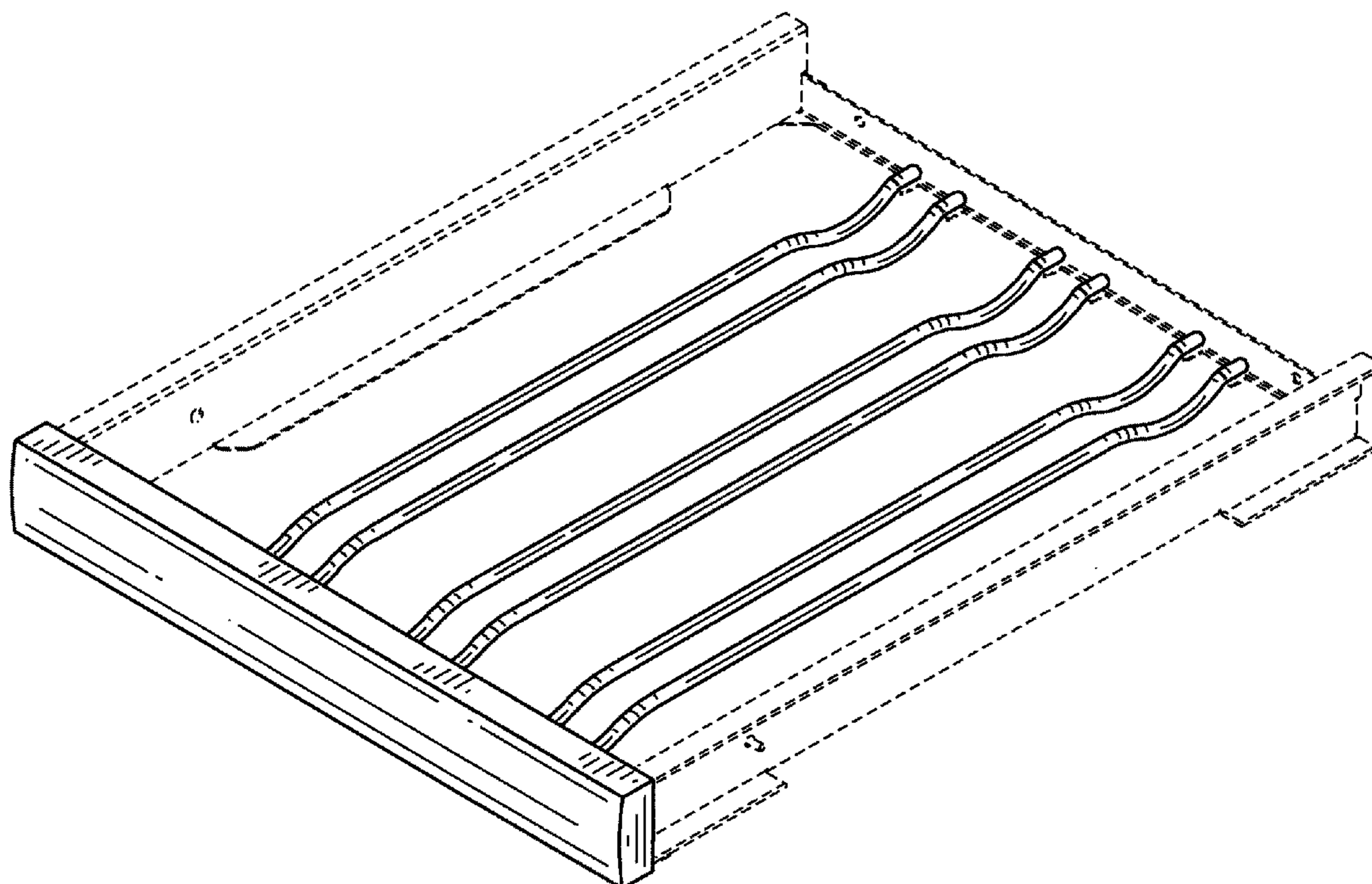
(57) **CLAIM**

The ornamental design for a beverage rack, as shown and described.

DESCRIPTION

FIG. 1 is a right, top, front perspective view of a beverage rack embodying our new design;
FIG. 2 is a top plan view thereof;
FIG. 3 is a front elevational view thereof;
FIG. 4 is a right side elevational view thereof, the left side elevational view thereof being a mirror image of the right side shown;
FIG. 5 is a rear elevational view thereof; and,
FIG. 6 is a bottom plan view thereof.
The broken line representations in the figures are for the purpose of illustration only, and form no part of the claimed design.

1 Claim, 4 Drawing Sheets



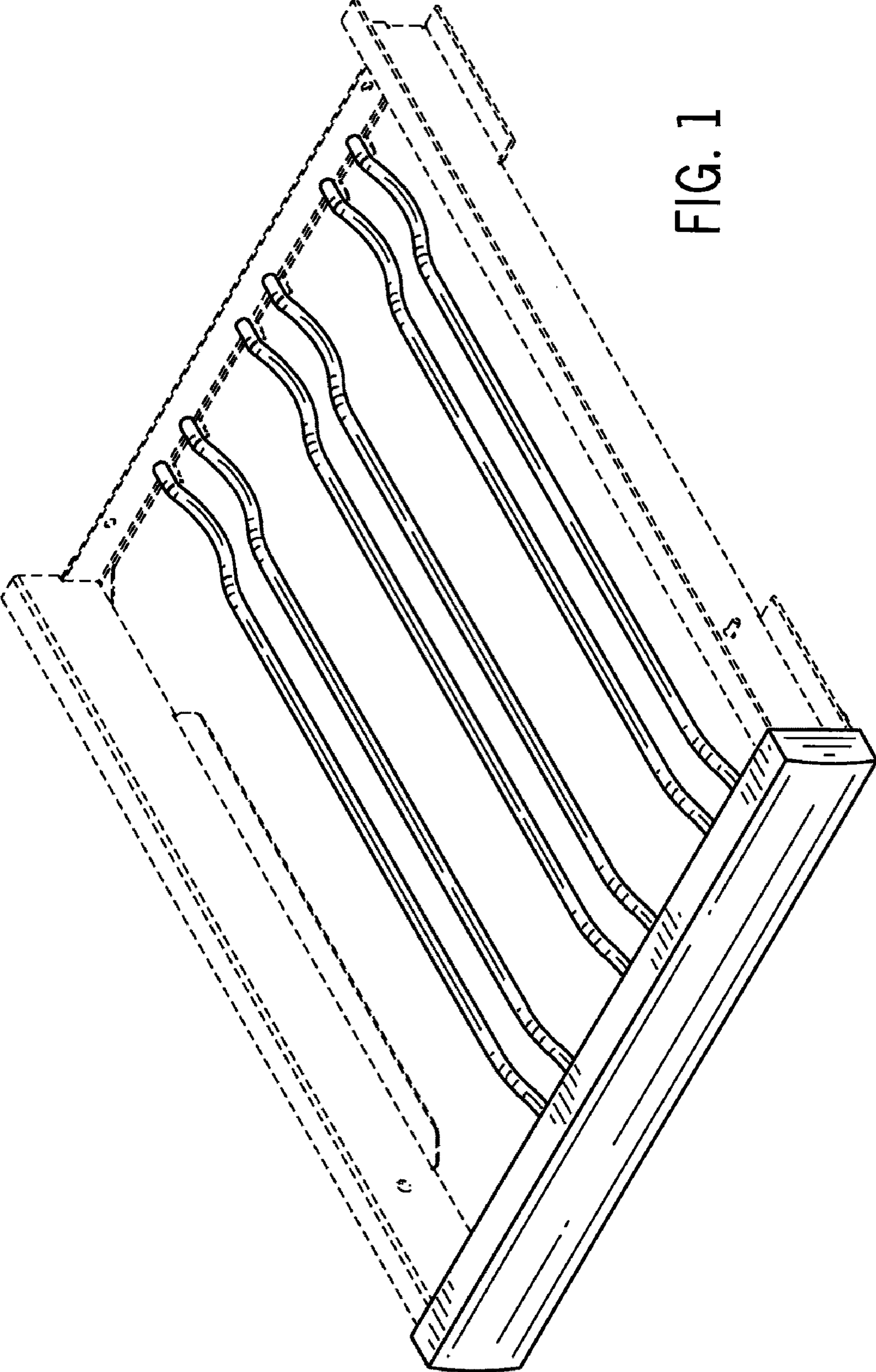


FIG. 1

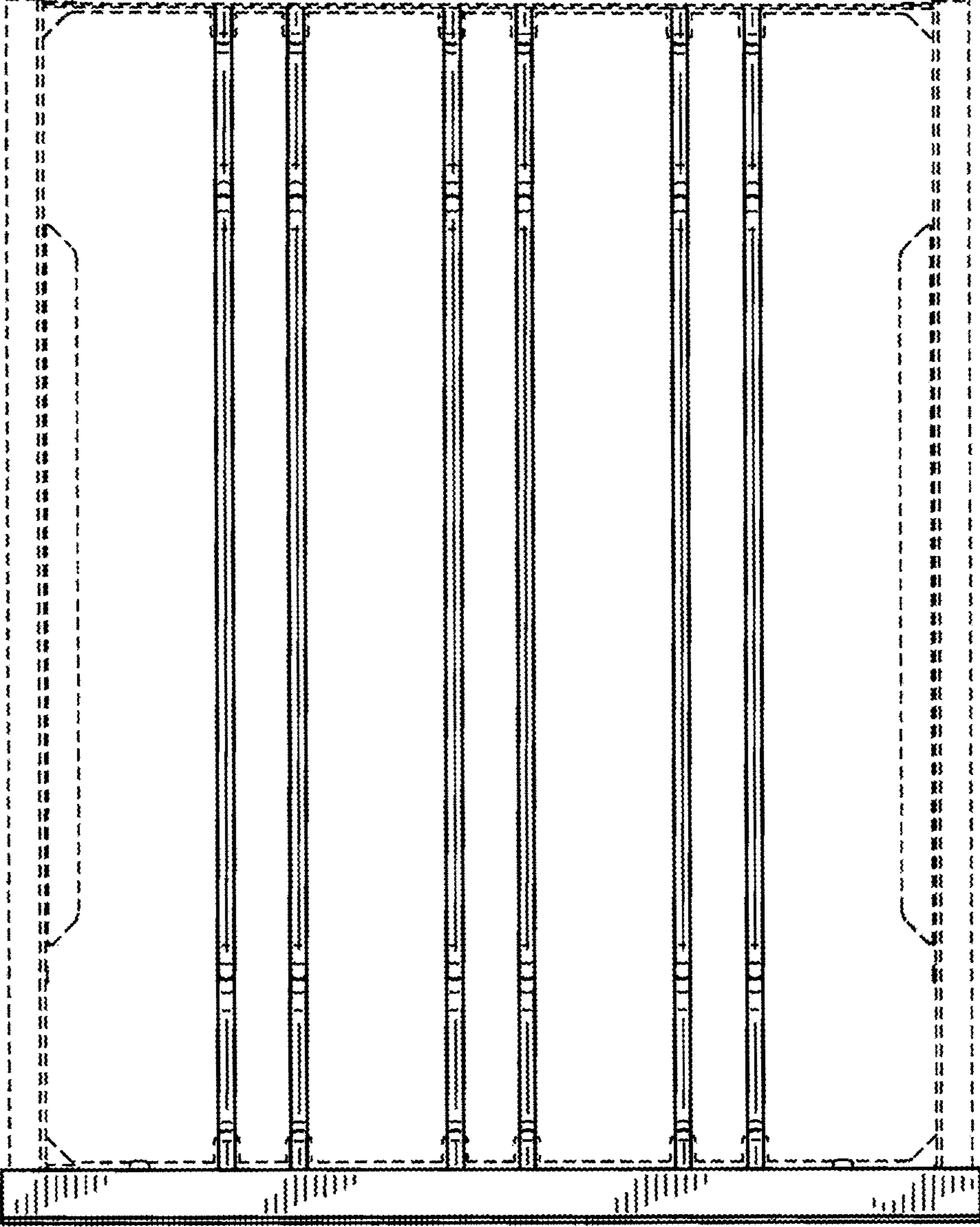


FIG. 2

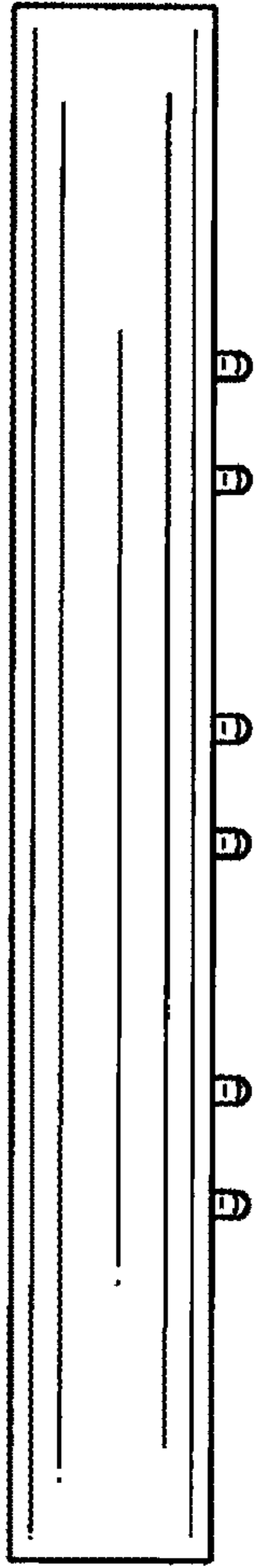


FIG. 3

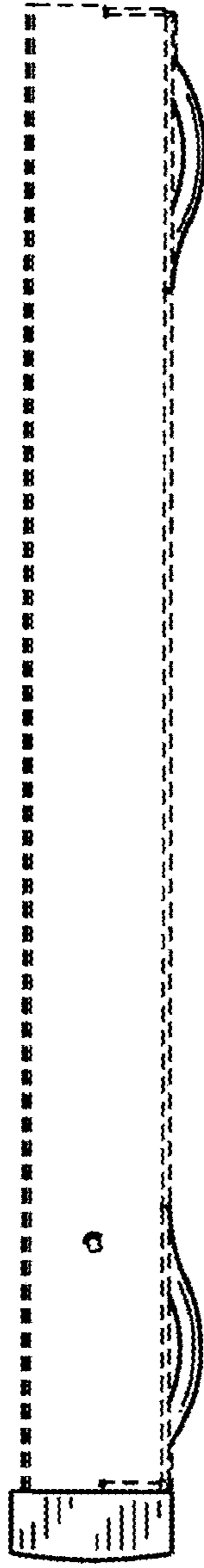


FIG. 4

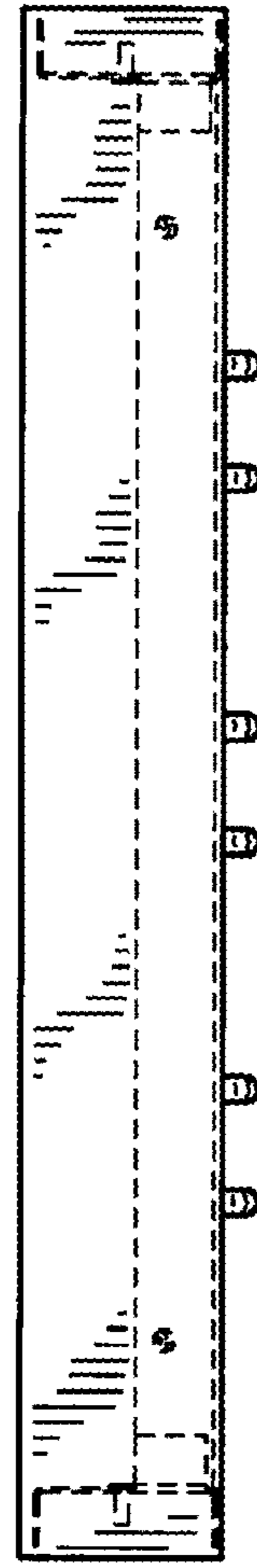


FIG. 5

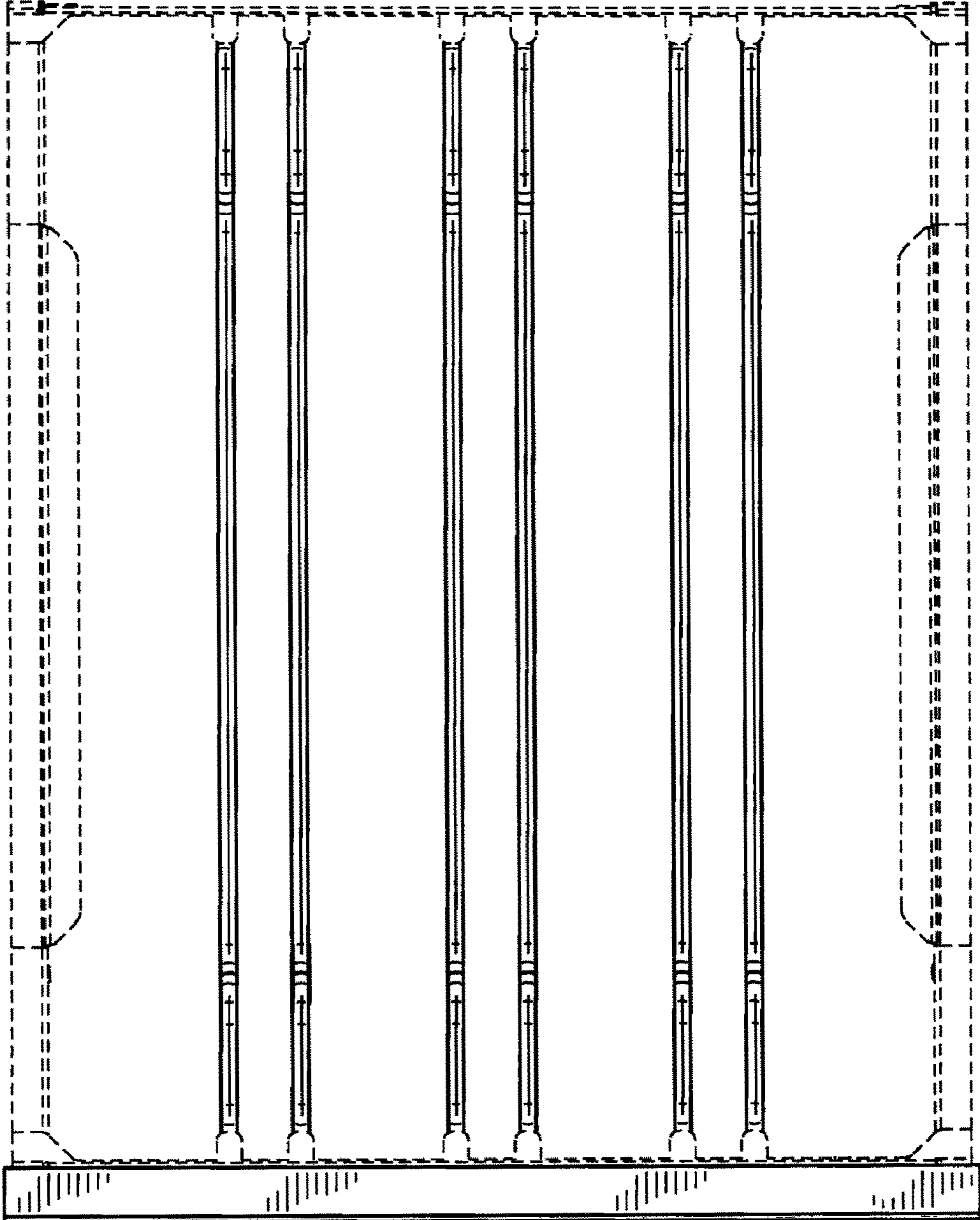


FIG. 6