



US00D660326S

(12) **United States Design Patent**
Allette

(10) **Patent No.:** **US D660,326 S**

(45) **Date of Patent:** **** May 22, 2012**

(54) **REFRIGERATOR TURNTABLE**

(76) Inventor: **Michael Allette**, Bonita Springs, FL
(US)

(**) Term: **14 Years**

(21) Appl. No.: **29/388,484**

(22) Filed: **Mar. 29, 2011**

(51) **LOC (9) Cl.** **15-07**

(52) **U.S. Cl.** **D15/89**

(58) **Field of Classification Search** D15/79-91;
312/305, 135, 125, 202-204, 307, 214; 108/94;
248/349; D7/501, 543, 553.6-553.8
See application file for complete search history.

D312,554 S	12/1990	Daenen et al.	
D322,011 S	12/1991	Asner	
D345,473 S	3/1994	Grundmann	
D354,185 S *	1/1995	King	D15/89
5,549,373 A *	8/1996	Bustos	312/135
D379,134 S	5/1997	Joergensen	
5,803,265 A	9/1998	Bergerman	
D576,838 S	9/2008	Wong	
D649,984 S *	12/2011	Nevarez et al.	D15/89

* cited by examiner

Primary Examiner — Mitchell Siegel

(74) *Attorney, Agent, or Firm* — The Bilicki Law Firm, P.C.;
Carl. A. Hjort, III

(57) **CLAIM**

The ornamental design for a refrigerator turntable, as shown and described.

DESCRIPTION

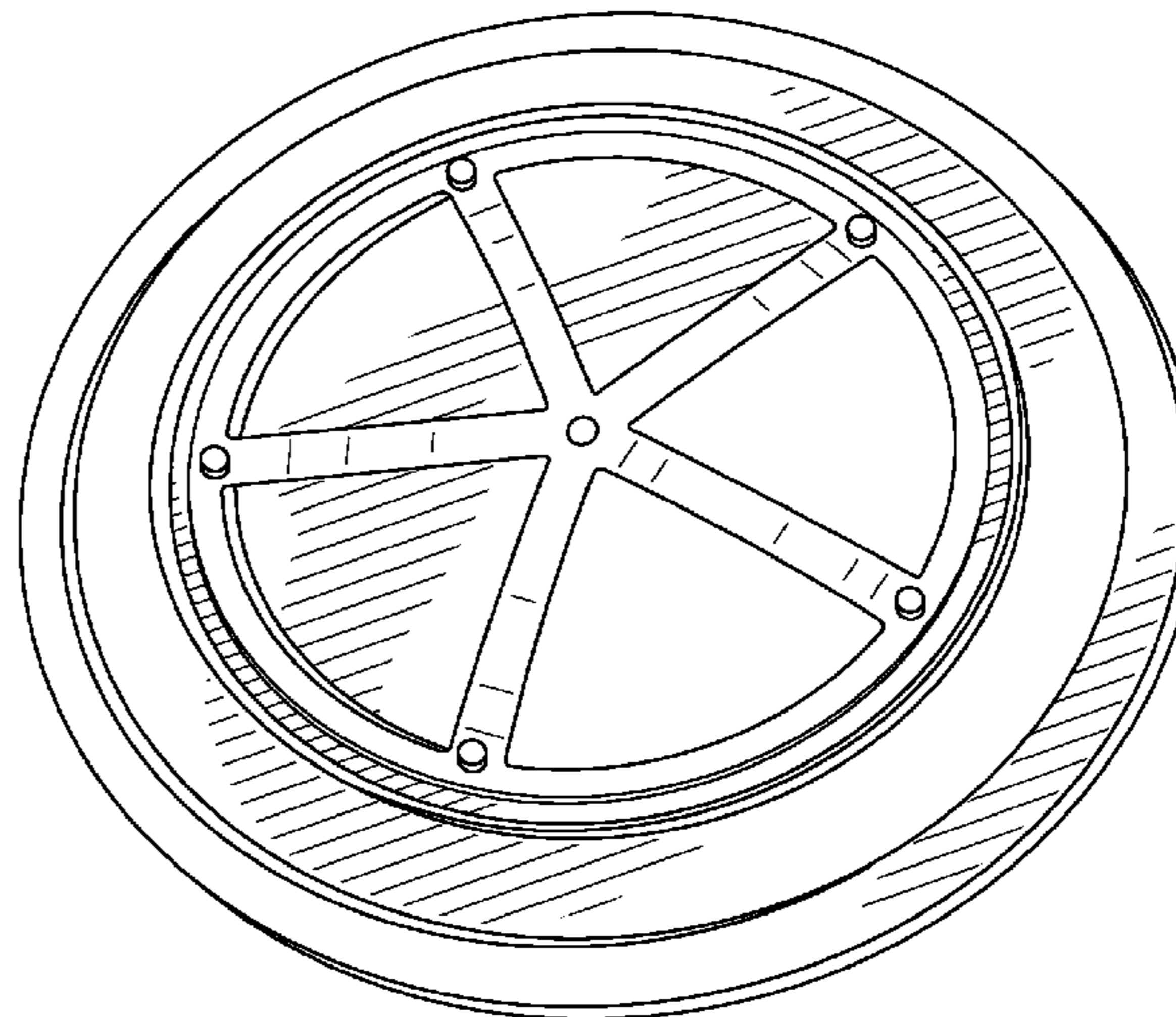
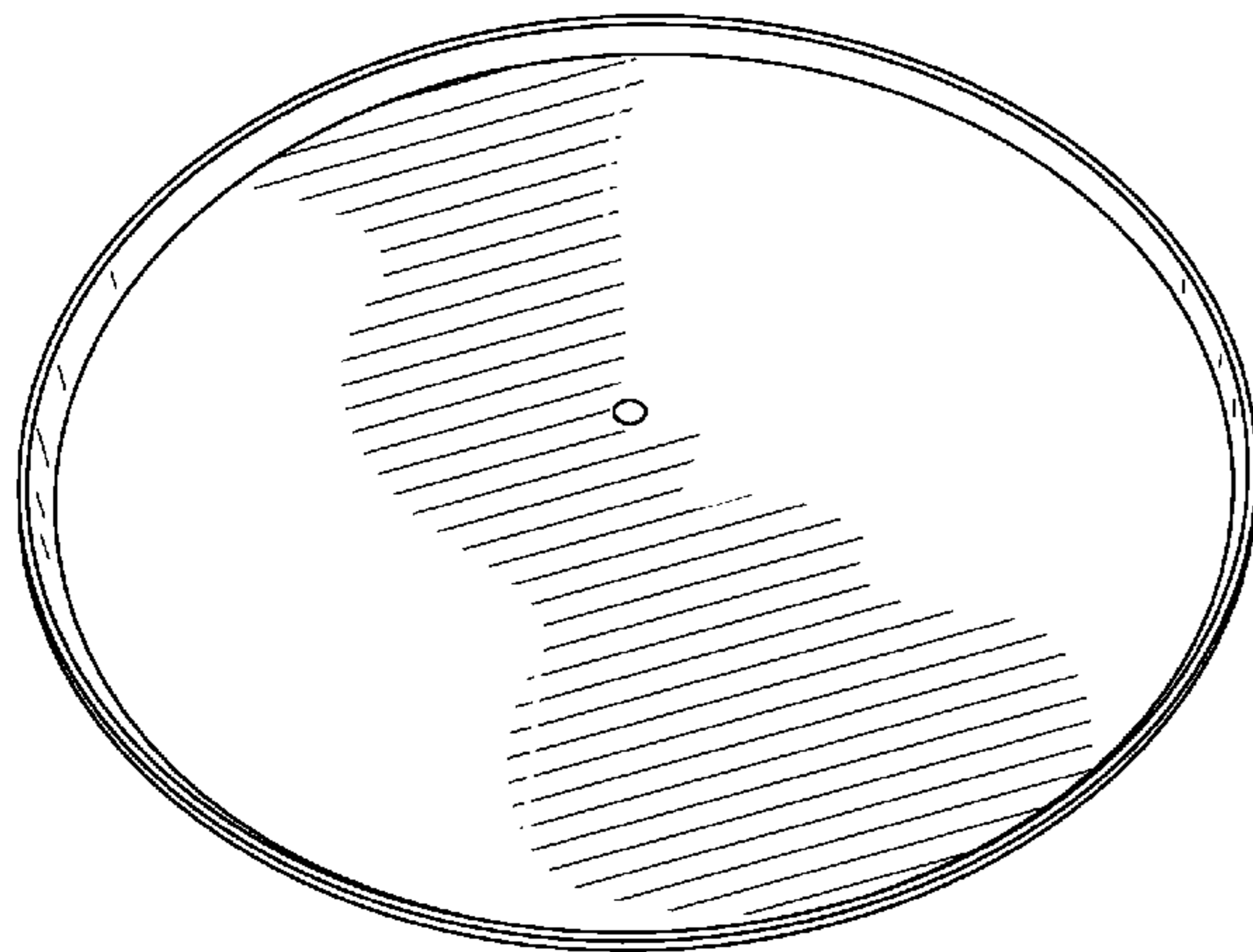
FIG. 1 is a top perspective view of a refrigerator turntable according to the present invention;
FIG. 2 is a bottom perspective view according to the present invention; and,
FIG. 3 is a side perspective view according to the present invention; the undisclosed other sides being identical.

1 Claim, 2 Drawing Sheets

(56) **References Cited**

U.S. PATENT DOCUMENTS

777,492 A	12/1904	Bruebach	
D139,533 S *	11/1944	Walker	D15/81
2,403,164 A	7/1946	Ahrens et al.	
2,781,651 A	2/1957	Cutler	
4,191,437 A *	3/1980	Funke	312/305
D285,157 S	8/1986	Wan	
D290,038 S *	5/1987	Patch et al.	D15/89
4,881,651 A	11/1989	Mimoun et al.	



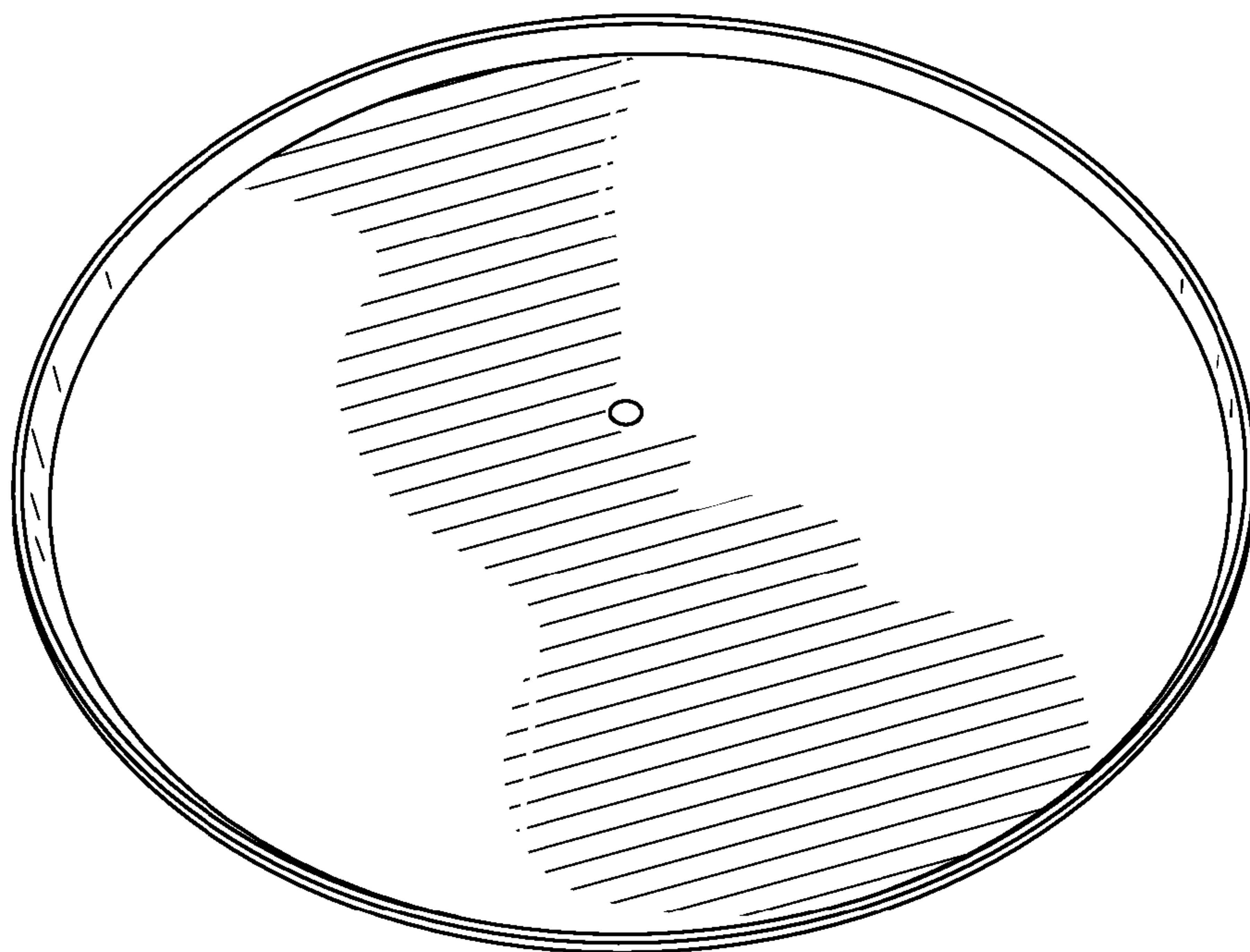


FIG. 1

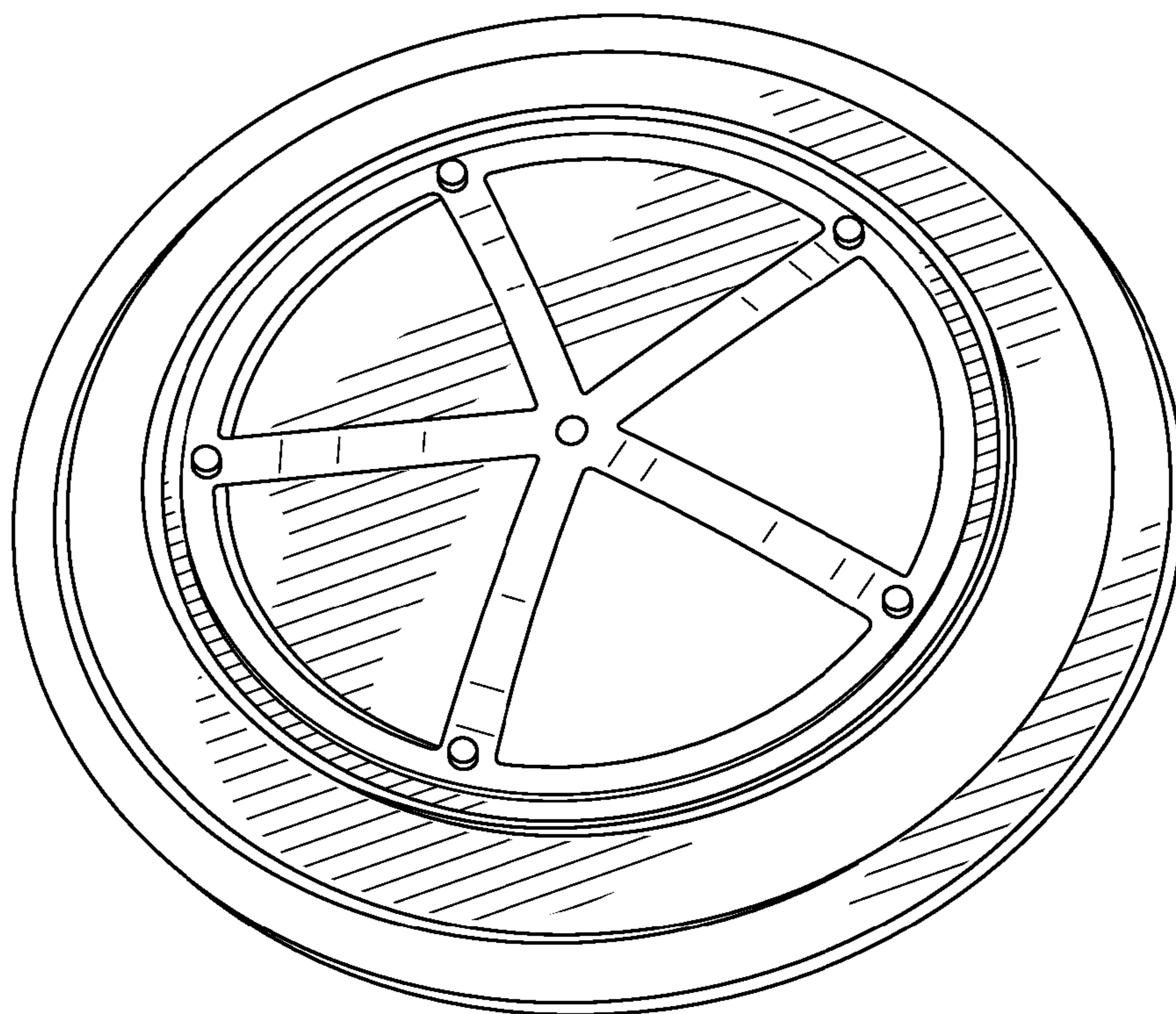


FIG. 2

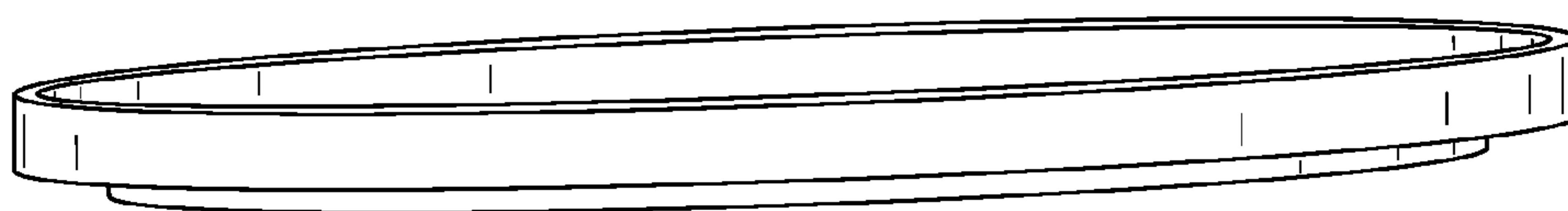


FIG. 3