



US00D660321S

(12) **United States Design Patent**
Hsiao

(10) **Patent No.:** **US D660,321 S**

(45) **Date of Patent:** **** May 22, 2012**

(54) **AIR COMPRESSOR**

(75) Inventor: **I-Min Hsiao**, Chang-Hwa (TW)

(73) Assignee: **Puma Industrial Co., Ltd.**, Chang-Hwa (TW)

(**) Term: **14 Years**

(21) Appl. No.: **29/396,582**

(22) Filed: **Jul. 1, 2011**

(51) **LOC (9) Cl.** **15-02**

(52) **U.S. Cl.** **D15/7**

(58) **Field of Classification Search** D15/7-9;
D23/231, 232; 417/410.1, 359, 415-416,
417/234, 321, 265, 405, 313

See application file for complete search history.

(56) **References Cited**

U.S. PATENT DOCUMENTS

D395,899 S *	7/1998	Plummer et al.	D15/7
D419,162 S *	1/2000	Wise et al.	D15/9
D435,050 S *	12/2000	Wise et al.	D15/9
D484,891 S *	1/2004	Hsiao	D15/9
D490,823 S *	6/2004	Hsiao	D15/9
D492,700 S *	7/2004	Hsiao	D15/7

D498,482 S *	11/2004	Hsiao	D15/9
D502,709 S *	3/2005	Hsiao	D15/9
D526,665 S *	8/2006	Hsiao	D15/9
D527,025 S *	8/2006	Hsiao	D15/9
D528,132 S *	9/2006	Hsiao	D15/9

* cited by examiner

Primary Examiner — Ralf Seifert

(74) *Attorney, Agent, or Firm* — Muncy, Geissler, Olds & Lowe, PLLC

(57) **CLAIM**

The ornamental design for an air compressor, as shown and described.

DESCRIPTION

FIG. 1 is a perspective view of a air compressor showing my new design;

FIG. 2 is a front elevation view thereof;

FIG. 3 is a rear elevation view thereof;

FIG. 4 is a left side elevation view thereof;

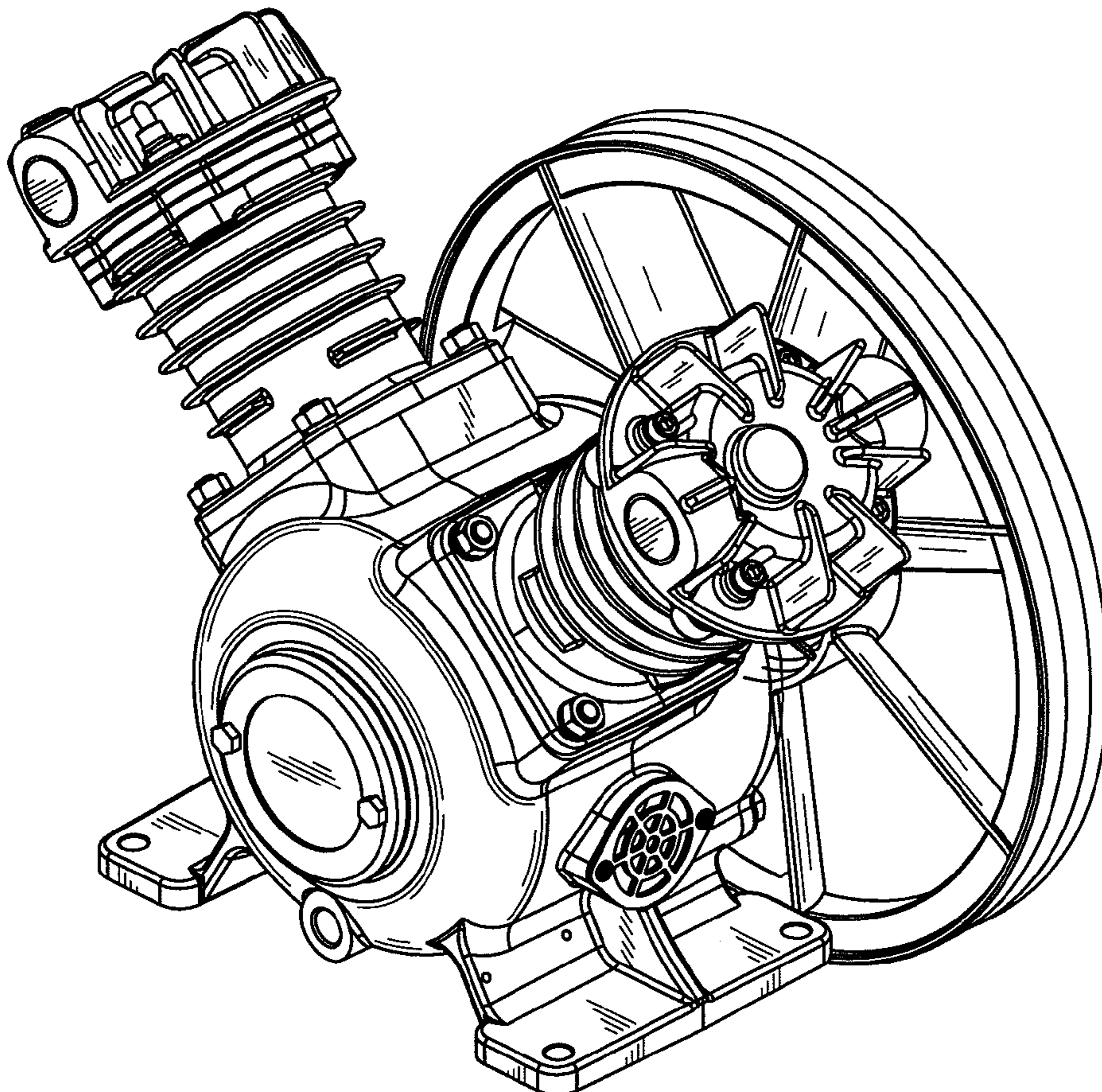
FIG. 5 is a right side elevation view thereof;

FIG. 6 is a top plan view thereof; and,

FIG. 7 is a bottom plan view thereof.

The broken lines in the Figures are for illustrative purposes only and form no part of the claimed design.

1 Claim, 4 Drawing Sheets



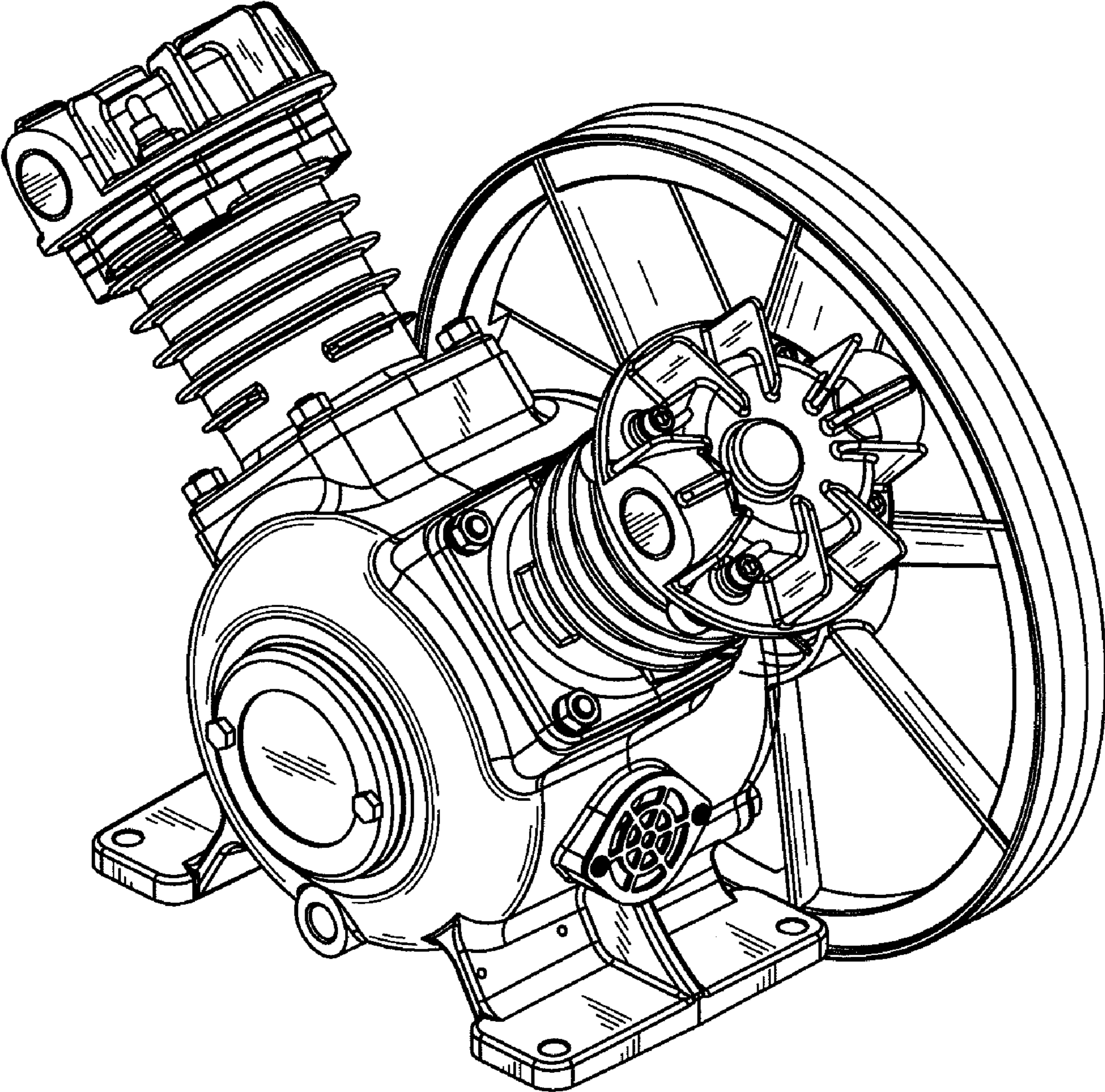


FIG. 1

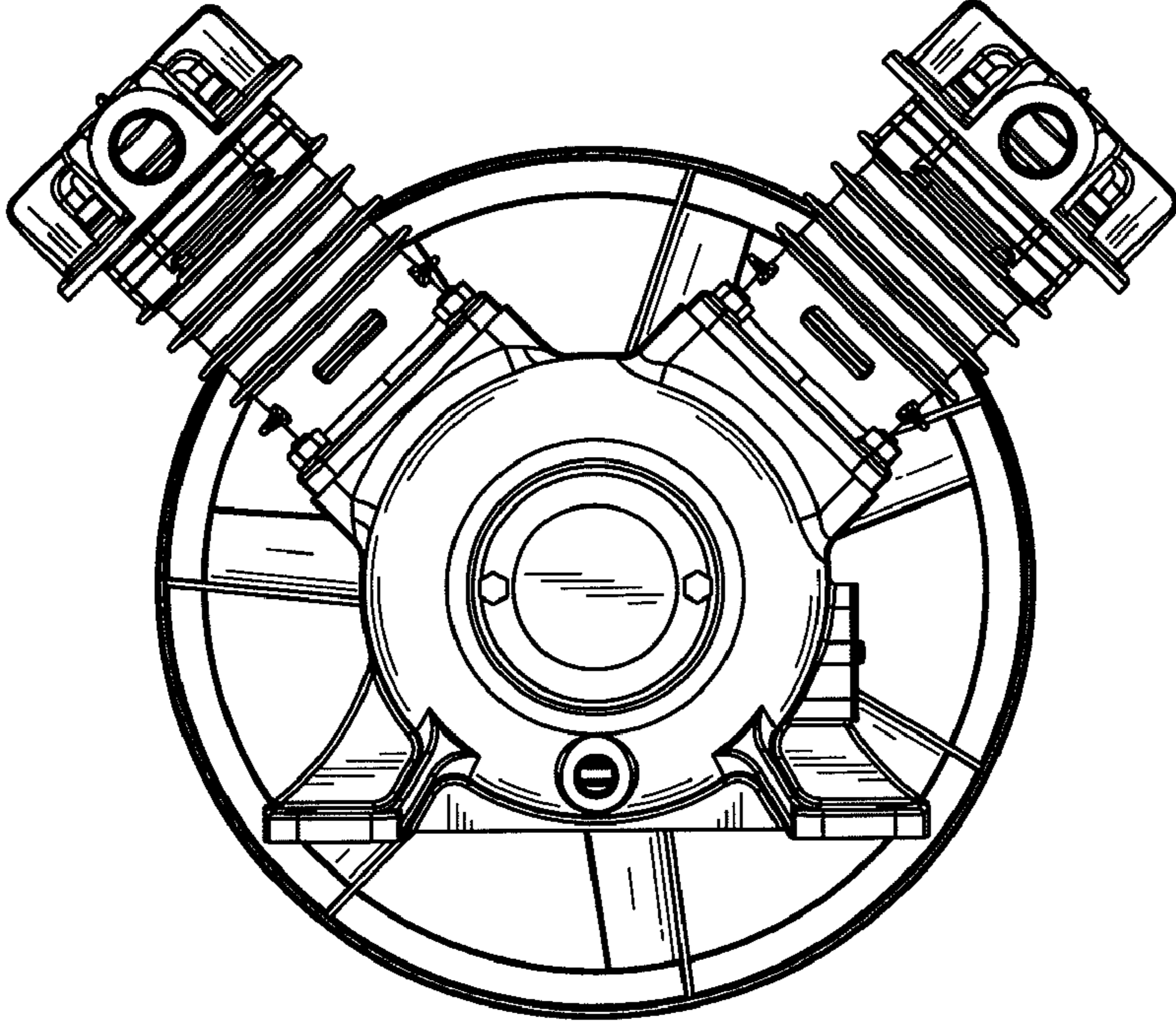


FIG. 2

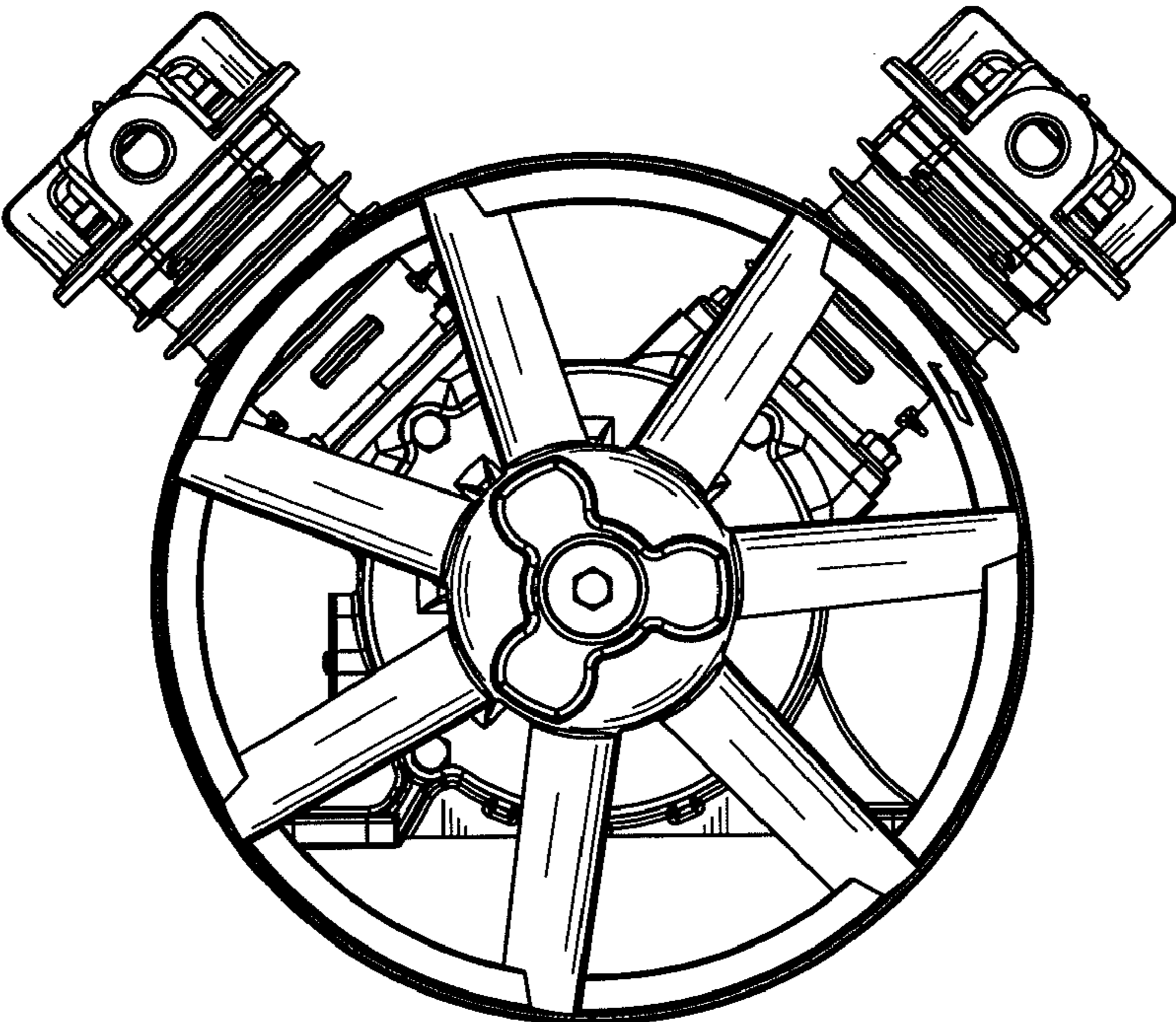


FIG. 3

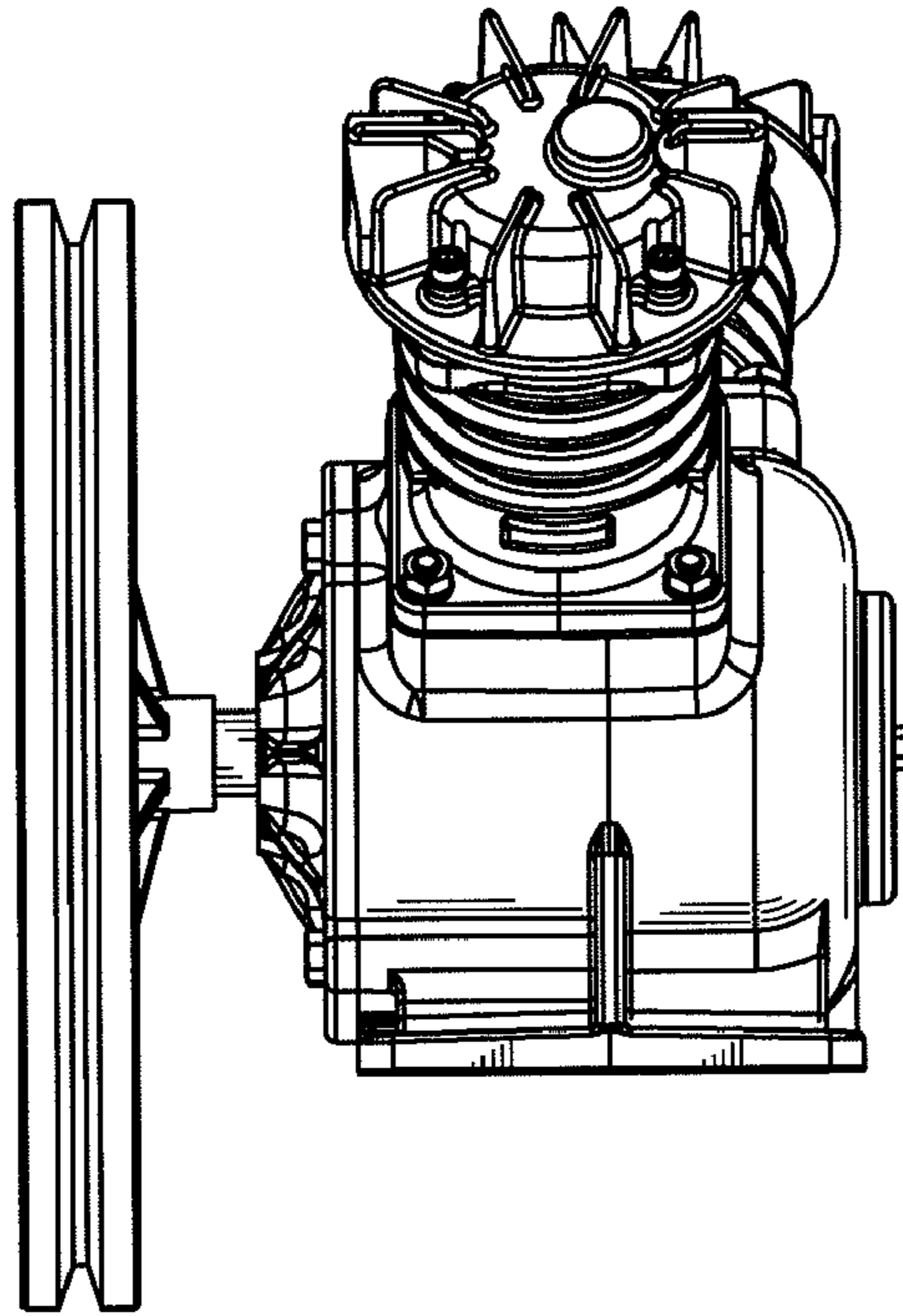


FIG. 4

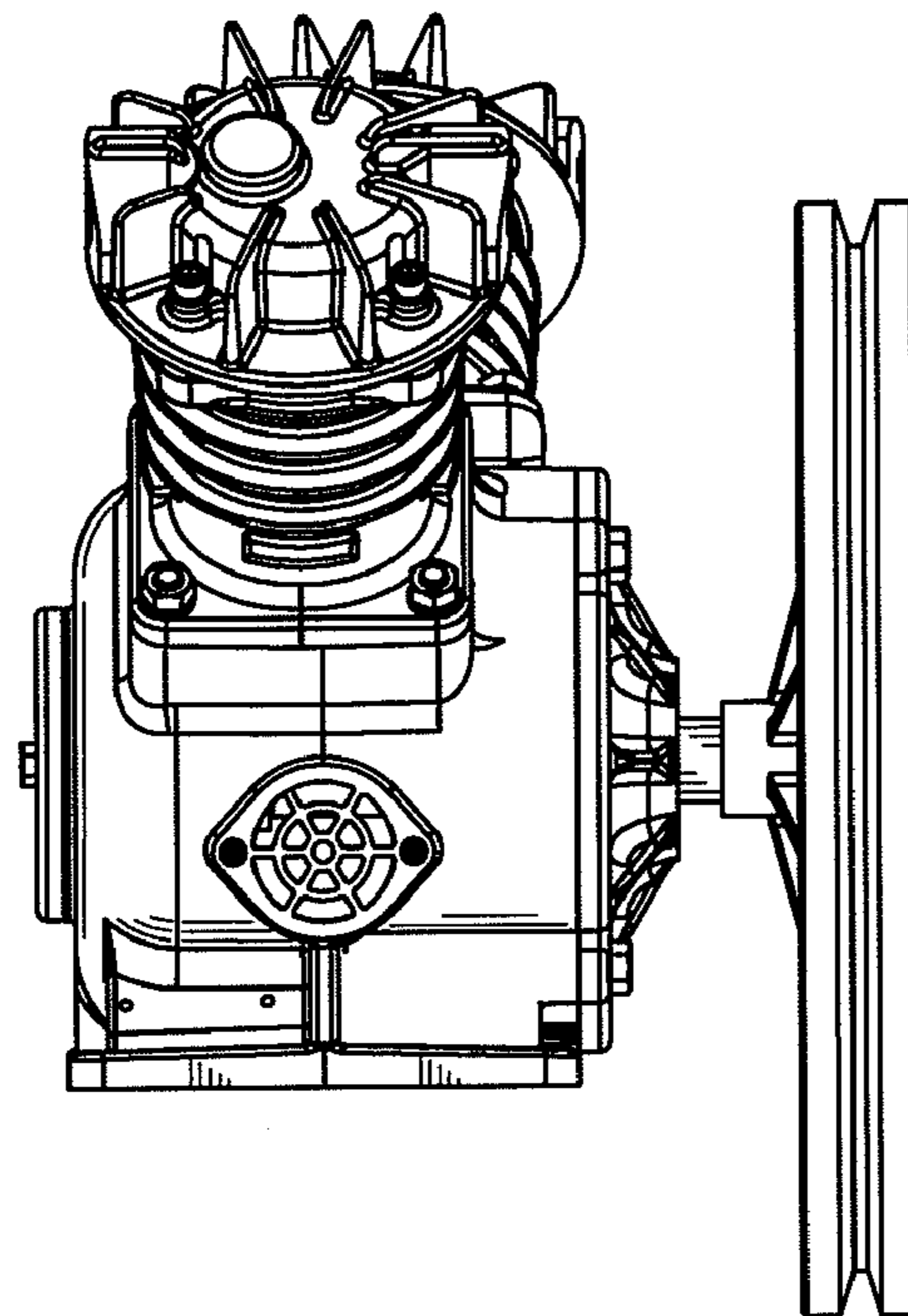


FIG. 5

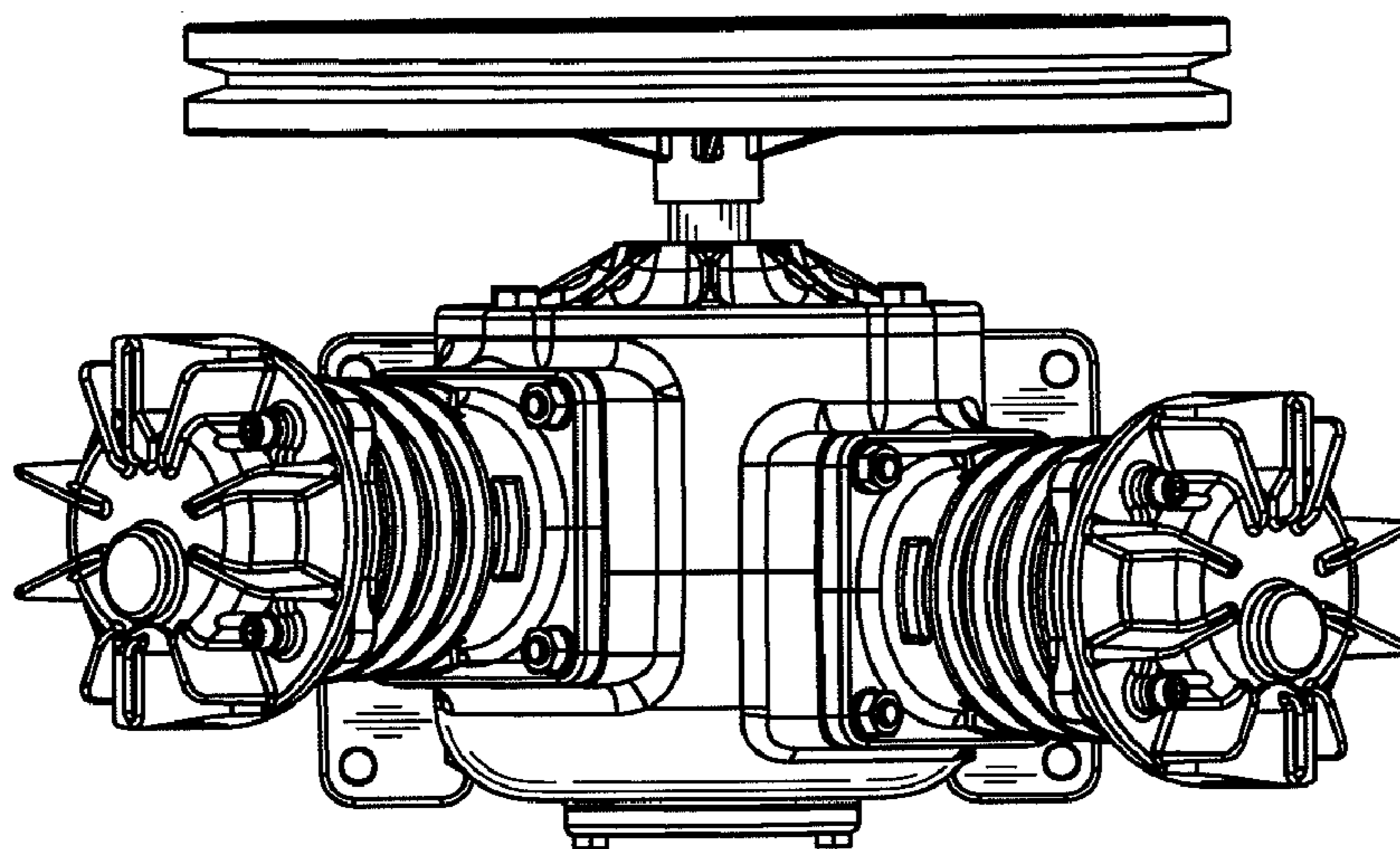


FIG. 6

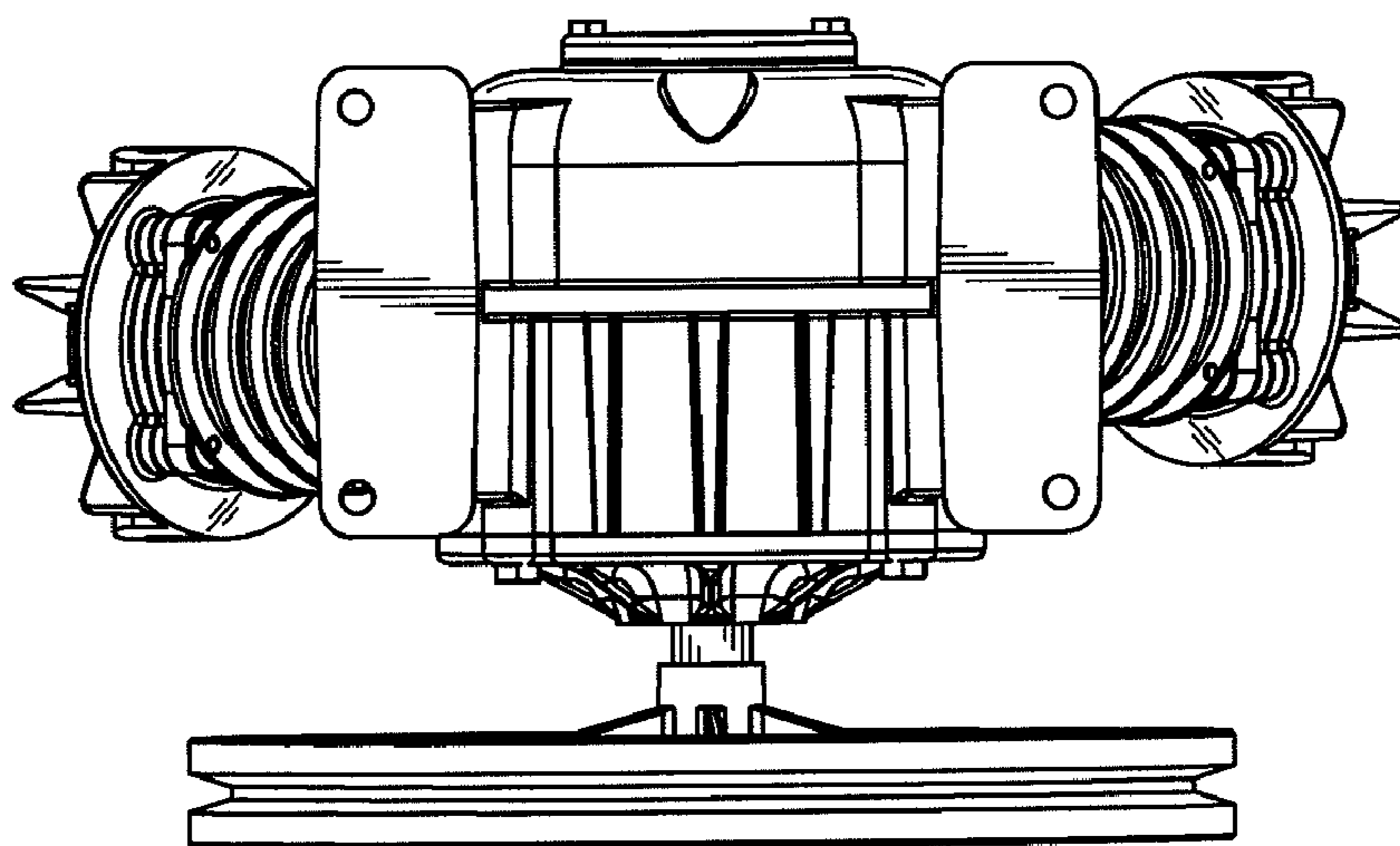


FIG. 7