

US00D660320S

(12) **United States Design Patent**  
**Varini**

(10) **Patent No.:** **US D660,320 S**

(45) **Date of Patent:** **\*\* May 22, 2012**

(54) **PUMP**

(75) **Inventor:** **Otto Varini, Suzzara (IT)**

(73) **Assignee:** **Piusi S.p.A., Suzzara (IT)**

(\*\*) **Term:** **14 Years**

(21) **Appl. No.:** **29/371,758**

(22) **Filed:** **Sep. 6, 2011**

**Related U.S. Application Data**

(62) Division of application No. 29/371,225, filed on Dec. 6, 2010, now Pat. No. Des. 656,518.

(51) **LOC (9) Cl.** ..... **15-02**

(52) **U.S. Cl.** ..... **D15/7**

(58) **Field of Classification Search** ..... D15/7-9;  
D23/231, 232, 225; 417/410.1, 359, 415-416,  
417/234, 321, 265, 405  
See application file for complete search history.

(56) **References Cited**

**U.S. PATENT DOCUMENTS**

D339,810 S \* 9/1993 Hansen ..... D15/7  
D419,567 S \* 1/2000 Weiss ..... D15/7

D447,148 S \* 8/2001 Antony et al. .... D15/7  
D516,583 S \* 3/2006 Strong ..... D15/7  
D590,842 S \* 4/2009 Clark et al. .... D15/7  
D603,870 S \* 11/2009 Mehnert et al. .... D15/7  
D604,745 S \* 11/2009 Sinico ..... D15/7

\* cited by examiner

*Primary Examiner* — Ralf Seifert

(74) *Attorney, Agent, or Firm* — Modiano & Associati;  
Albert Josif; Daniel O’Byrne

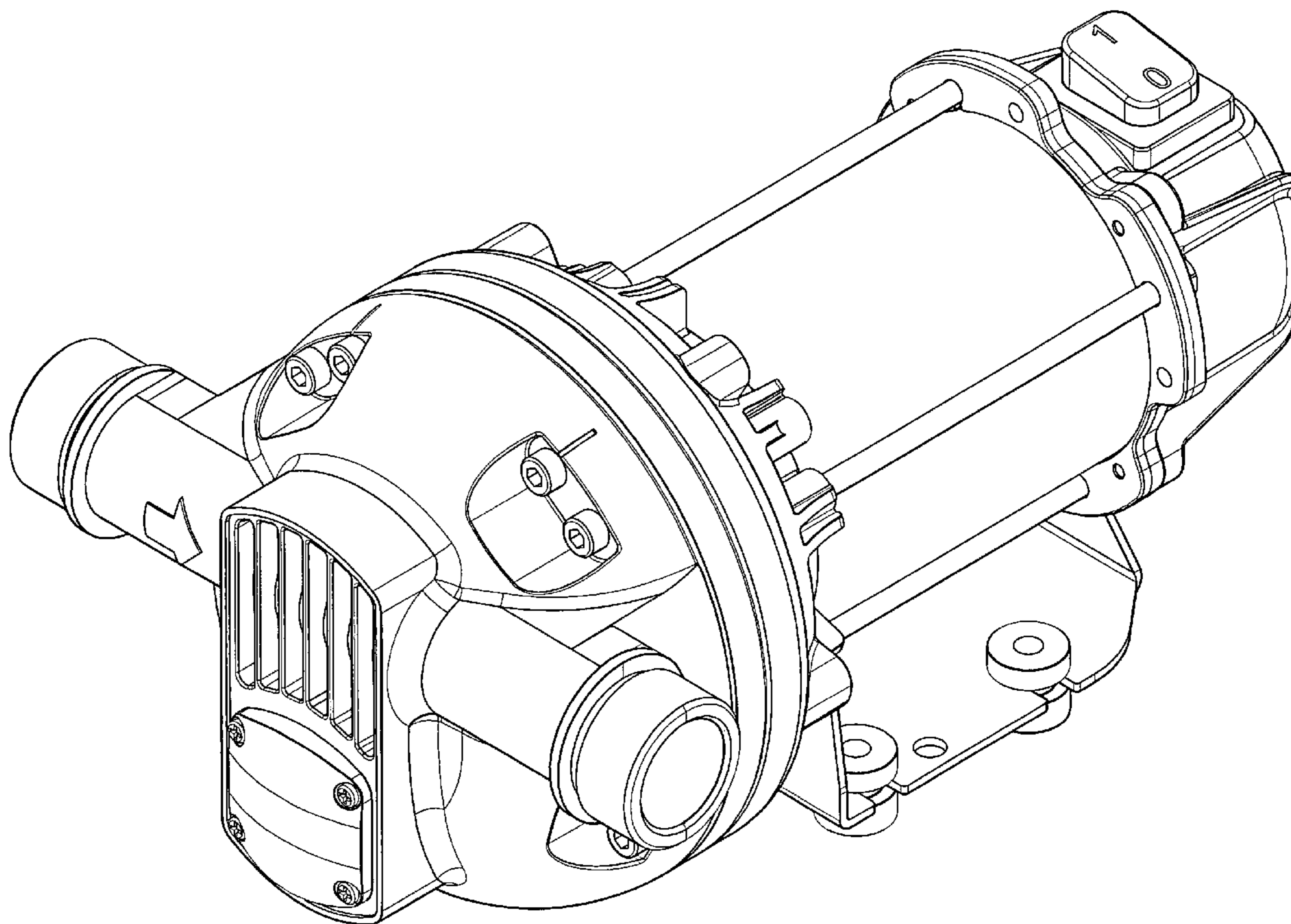
(57) **CLAIM**

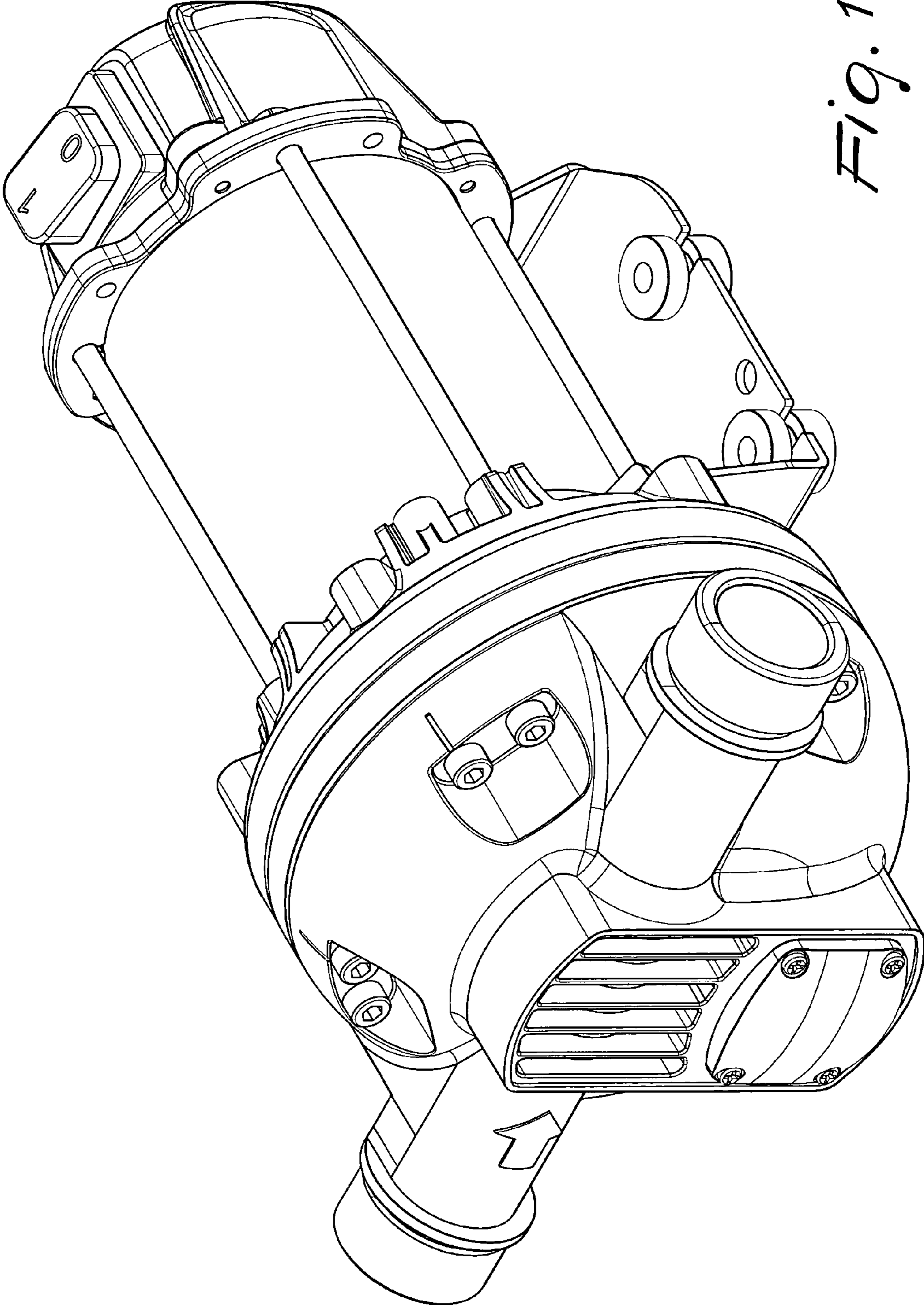
The ornamental design for the “pump”, as shown and described.

**DESCRIPTION**

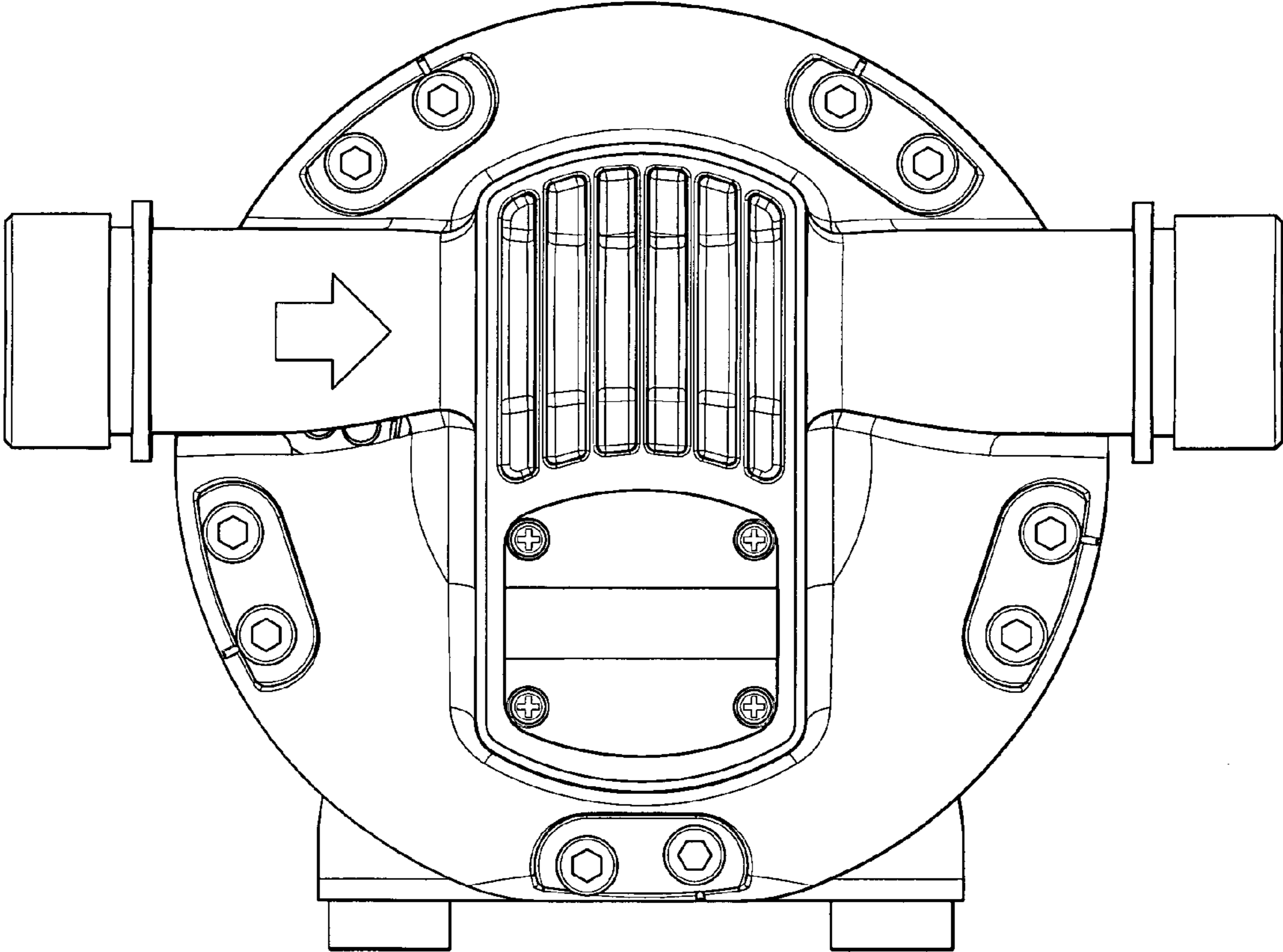
FIG. 1 is a perspective view of the pump;  
FIG. 2 is a front elevation view of the pump;  
FIG. 3 is a rear elevation view of the pump;  
FIG. 4 is a left side elevation view of the pump;  
FIG. 5 is a right side elevation view of the pump;  
FIG. 6 is a plan view of the pump, taken from above; and,  
FIG. 7 is plan view of the pump, taken from below.  
The broken lines in FIGS. 4 and 5 are included for the purpose of illustrating portions of the pump that form no part of the claimed design.

**1 Claim, 7 Drawing Sheets**



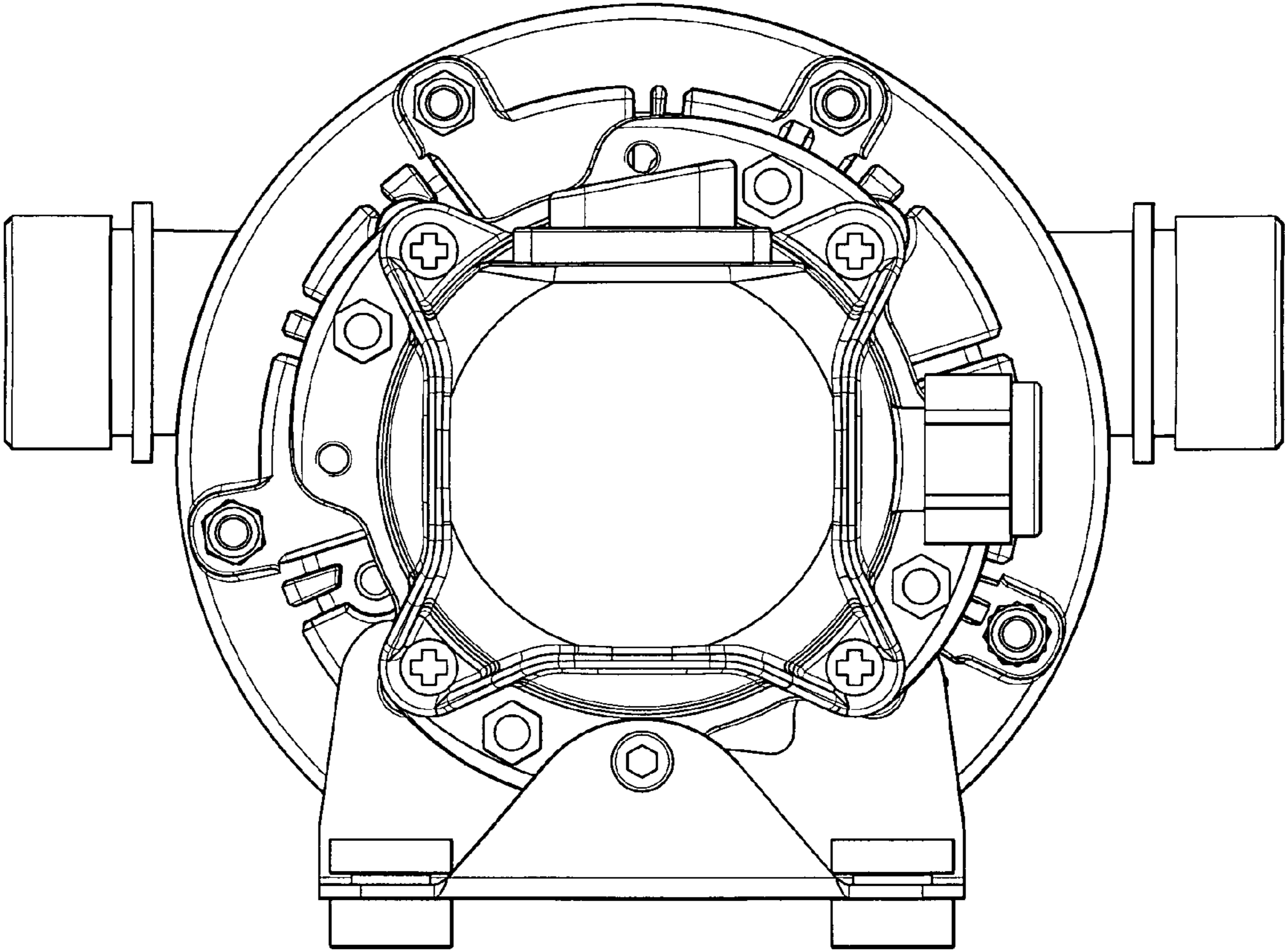


*Fig. 1*

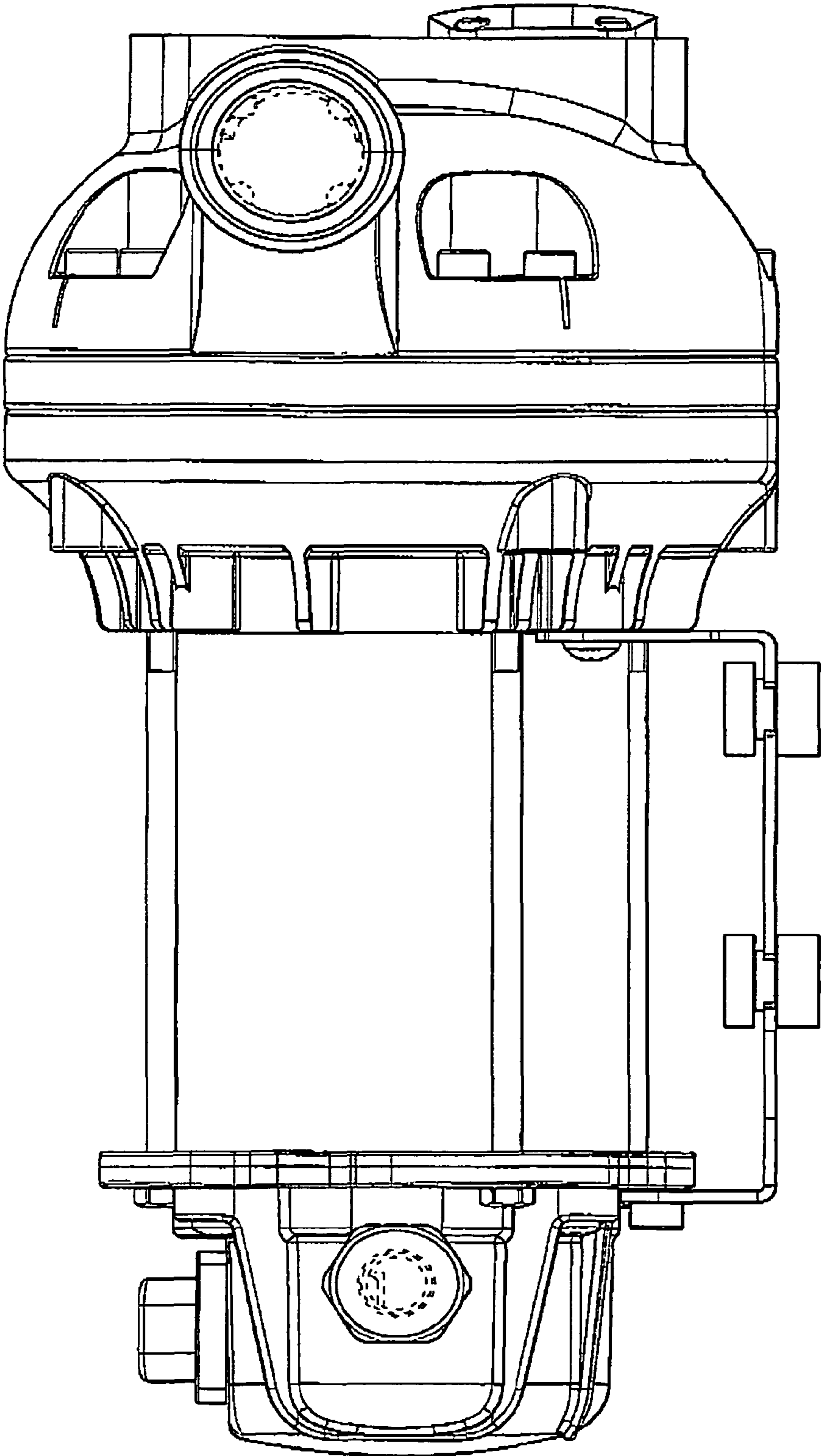


*Fig. 2*

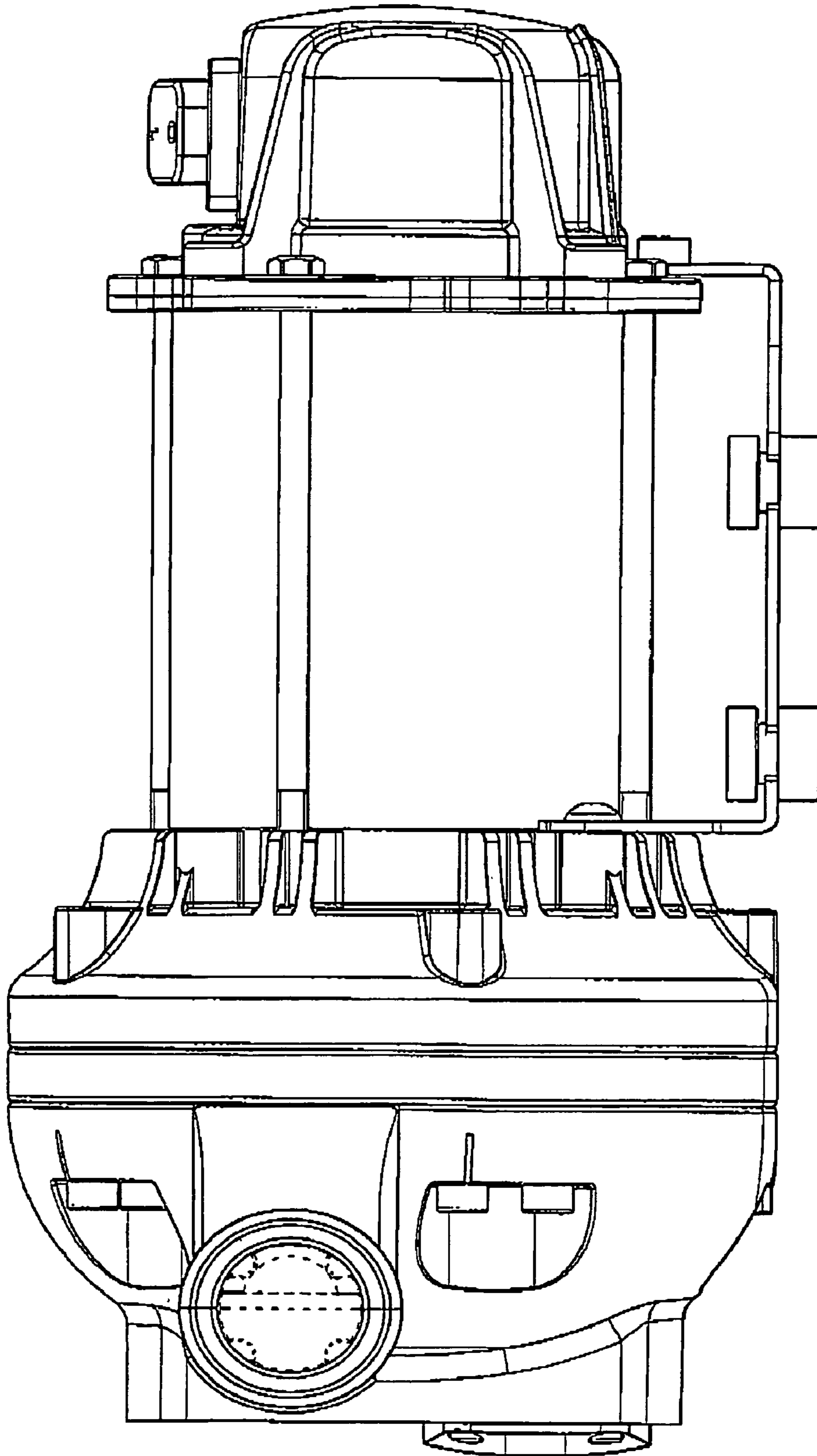




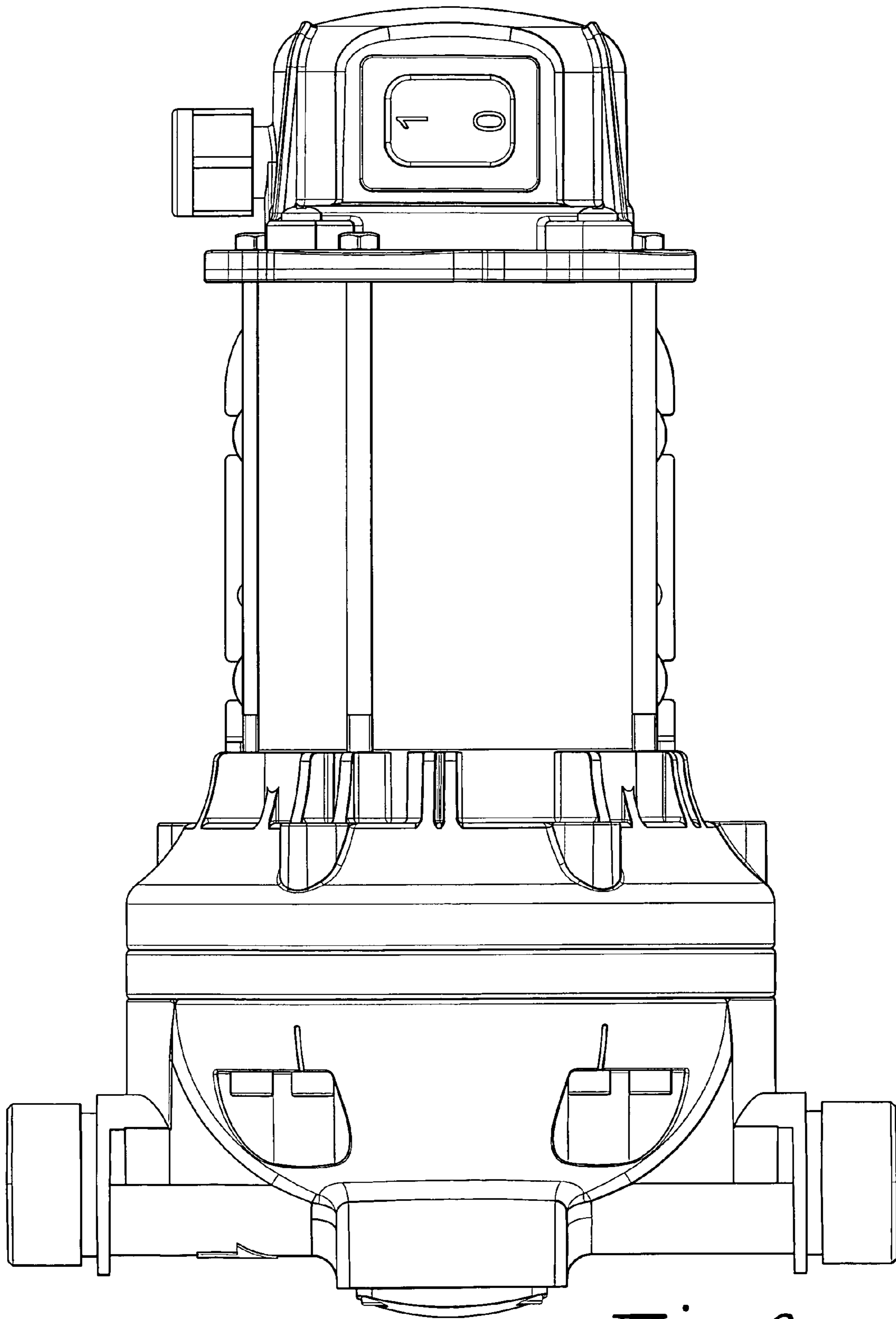
*Fig. 3*



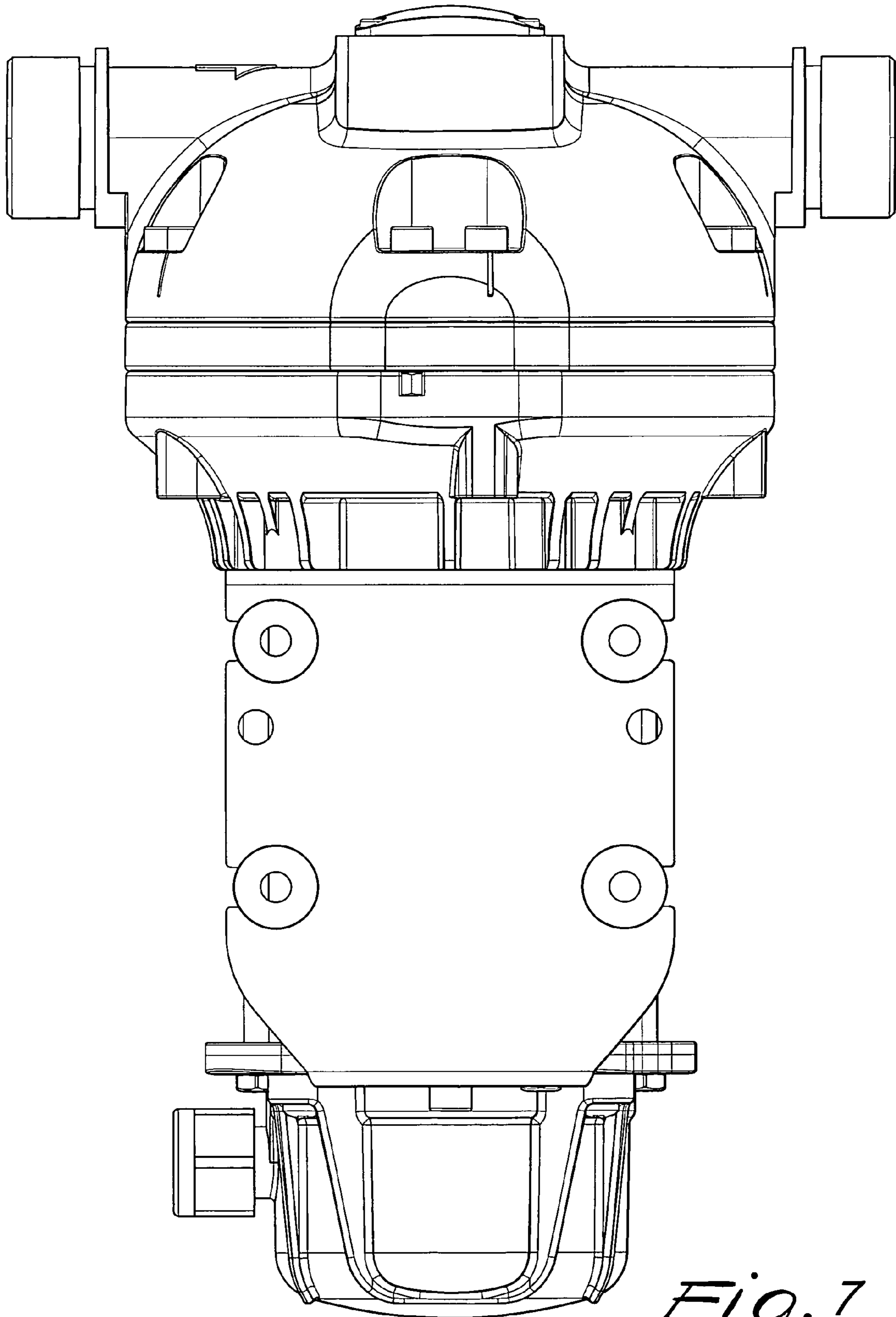
*Fig. 4*



*Fig. 5*



*Fig. 6*



*Fig. 7*