



US00D660319S

(12) **United States Design Patent**  
**Kim et al.**

(10) **Patent No.:** **US D660,319 S**

(45) **Date of Patent:** **\*\* May 22, 2012**

(54) **BLU-RAY® DISK PLAYER**

(75) Inventors: **Ji-Gwang Kim**, Seoul (KR); **Chae-Joo Son**, Namyangju (KR); **Hyung-Ho Hwangbo**, Seoul (KR)

(73) Assignee: **Samsung Electronics Co., Ltd.**, Suwon (KR)

(\*\*) Term: **14 Years**

(21) Appl. No.: **29/393,966**

(22) Filed: **Jun. 10, 2011**

(30) **Foreign Application Priority Data**

Jan. 28, 2011 (KR) ..... 30-2011-0003831

(51) **LOC (9) Cl.** ..... **14-01**

(52) **U.S. Cl.** ..... **D14/498**

(58) **Field of Classification Search** ..... D14/496, D14/498-511, 167-168, 188, 197-198; 360/99.02, 360/99.07; 369/75.11, 75.21, 77.11, 77.21; 720/601, 612, 619, 649, 655; 455/344, 347-351  
See application file for complete search history.

(56) **References Cited**

**U.S. PATENT DOCUMENTS**

D442,574 S *	5/2001	Ishii	.....	D14/168
D502,934 S *	3/2005	Rose	.....	D14/168
D519,960 S	5/2006	Kwon et al.		
D519,962 S	5/2006	Kim et al.		
D519,963 S	5/2006	Lim et al.		
D520,478 S	5/2006	Kwon et al.		
D520,479 S	5/2006	Kwon et al.		
D520,480 S	5/2006	Kwon et al.		
D520,481 S	5/2006	Lim et al.		
D520,973 S	5/2006	Kwon		
D520,974 S	5/2006	Lim		
D520,975 S	5/2006	Kim		
D521,965 S	5/2006	Ko et al.		
D521,966 S	5/2006	Kim et al.		
D521,967 S	5/2006	Lim		
D522,986 S	6/2006	Kwon et al.		
D523,832 S	6/2006	Kwon et al.		

D525,958 S	8/2006	Kwon et al.
D526,294 S	8/2006	Kwon et al.
D526,979 S	8/2006	Lim
D526,980 S	8/2006	Kwon
D526,981 S	8/2006	Kim
D528,525 S	9/2006	Cho et al.
D529,464 S	10/2006	Lim et al.

(Continued)

**FOREIGN PATENT DOCUMENTS**

KR 300550160000 1/2010

(Continued)

**OTHER PUBLICATIONS**

U.S. Appl. No. 29/372,108; Applicant: Ju-Won Cho; filed Oct. 15, 2010; entitled Blu-Ray Disk Player.

(Continued)

*Primary Examiner* — Prabhakar Deshmukh

(74) *Attorney, Agent, or Firm* — Wood, Herron & Evans, LLP

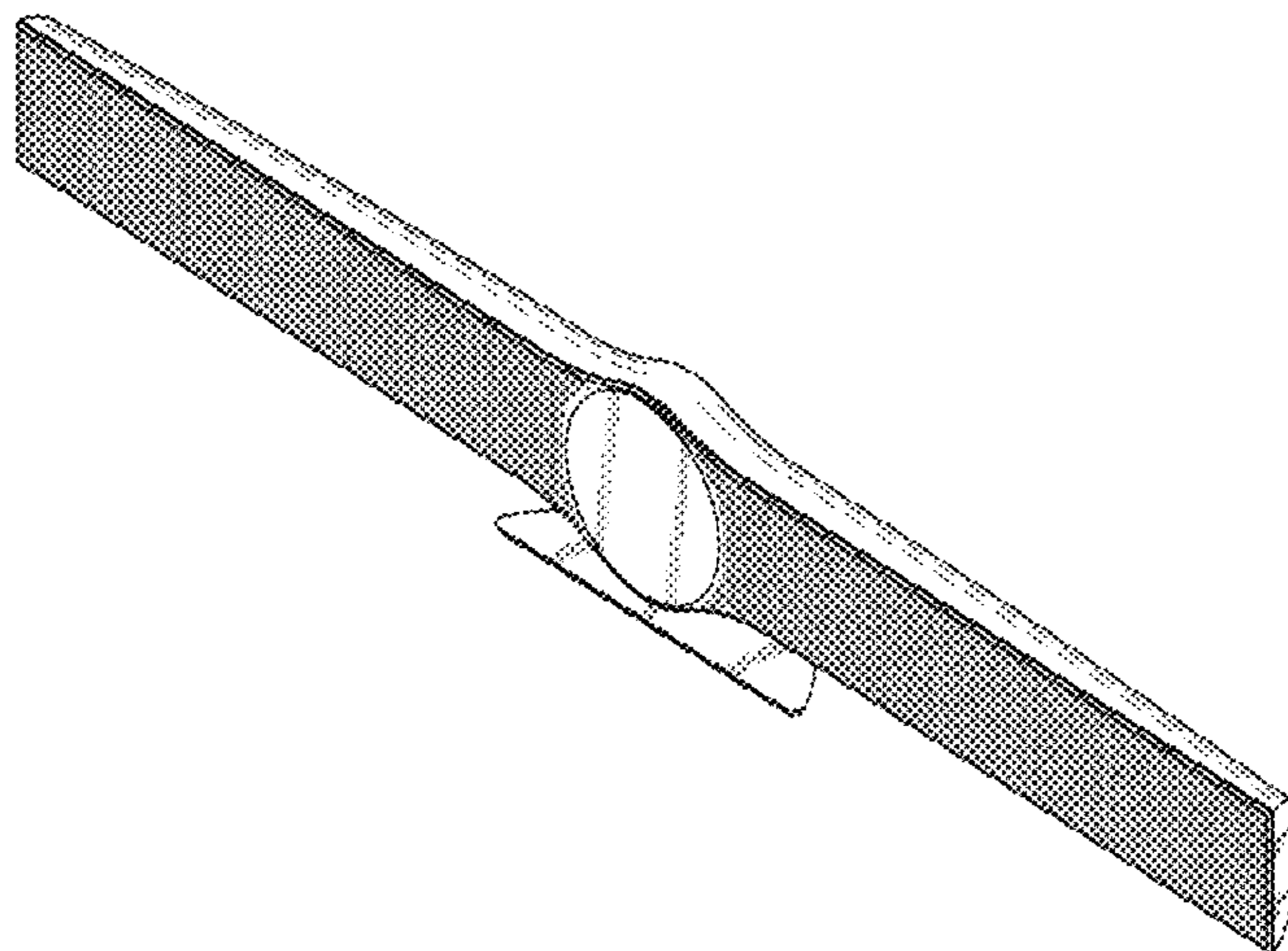
(57) **CLAIM**

The ornamental design for a Blu-Ray® disk player, as shown and described.

**DESCRIPTION**

FIG. 1 is a top front perspective view of a Blu-Ray® disk player showing our new design; FIG. 2 is a front elevational view thereof; FIG. 3 is a rear elevational view thereof; FIG. 4 is a left side elevational view thereof; FIG. 5 is a right side elevational view thereof; FIG. 6 is a top plan view thereof; and, FIG. 7 is a bottom plan view thereof. Blu-Ray® as used in the title, specification, and claim of this application is registered as U.S. Trademark Registration No. 2901104, owned by Blu-Ray Disc Association Nonprofit Mutual Benefit Corporation California.

**1 Claim, 3 Drawing Sheets**



# US D660,319 S

Page 2

## U.S. PATENT DOCUMENTS

D529,885 S 10/2006 Park  
D530,692 S 10/2006 Lim  
D530,693 S 10/2006 Park  
D530,694 S 10/2006 Park  
D530,695 S 10/2006 Park  
D531,153 S 10/2006 Lim  
D533,159 S 12/2006 Kim et al.  
D536,682 S 2/2007 Lim et al.  
D536,683 S 2/2007 Lim et al.  
D537,425 S 2/2007 Park  
D538,768 S 3/2007 Lim  
D539,250 S 3/2007 Park  
D539,770 S 4/2007 Park  
D539,771 S 4/2007 Park  
D540,286 S 4/2007 Lim  
D551,198 S 9/2007 Kim  
D552,053 S 10/2007 Kim  
D553,109 S 10/2007 Kim et al.  
D560,179 S 1/2008 Cho et al.  
D560,180 S 1/2008 Park et al.  
D560,181 S 1/2008 Park  
D560,182 S 1/2008 Park  
D560,627 S 1/2008 Park et al.  
D561,141 S 2/2008 Cho et al.  
D567,203 S 4/2008 Park  
D567,204 S 4/2008 Park  
D576,581 S 9/2008 Son et al.  
D578,091 S 10/2008 Cho et al.  
D587,237 S \* 2/2009 Son et al. .... D14/168  
D587,281 S 2/2009 Kim et al.  
D587,282 S 2/2009 Kim et al.  
D595,736 S 7/2009 Son  
D596,197 S 7/2009 Cho

D603,868 S 11/2009 Cho et al.  
D608,761 S \* 1/2010 Kim ..... D14/188  
D612,869 S 3/2010 Cho et al.  
D612,870 S 3/2010 Cho et al.  
D613,308 S 4/2010 Cho et al.  
D613,309 S 4/2010 Cho et al.  
D615,994 S 5/2010 Chung et al.  
D617,813 S 6/2010 Cho  
D623,659 S 9/2010 Chung  
D624,559 S 9/2010 Chung  
D632,302 S 2/2011 Kim  
D632,303 S 2/2011 Kim  
D633,098 S 2/2011 Kim et al.  
D637,203 S 5/2011 Kim

## FOREIGN PATENT DOCUMENTS

KR 3005568080000 3/2010  
KR 3005449680001 6/2010  
KR 300570936000 8/2010

## OTHER PUBLICATIONS

U.S. Appl. No. 29/373,454; Applicant: Yeon-Moo Chung, et al.; filed Apr. 12, 2011; entitled Blu-Ray Player.  
U.S. Appl. No. 29/373,458; Applicant: Yeon-Moo Chung, et al.; filed Apr. 12, 2011; entitled Blu-Ray Disk Player.  
U.S. Appl. No. 29/373,459; Applicant: Yeon-Moo Chung, et al.; filed Apr. 12, 2011; entitled Blu-Ray Disk Player.  
U.S. Appl. No. 29/373,460; Applicant: Yeon-Moo Chung, et al.; filed Apr. 12, 2011; entitled Blu-Ray Disk Player.  
U.S. Appl. No. 29/373,477; Applicant: Seok-Won Hong, et al.; filed Apr. 13, 2011; entitled Blu-Ray Disk Player With A/V Receiver.

\* cited by examiner



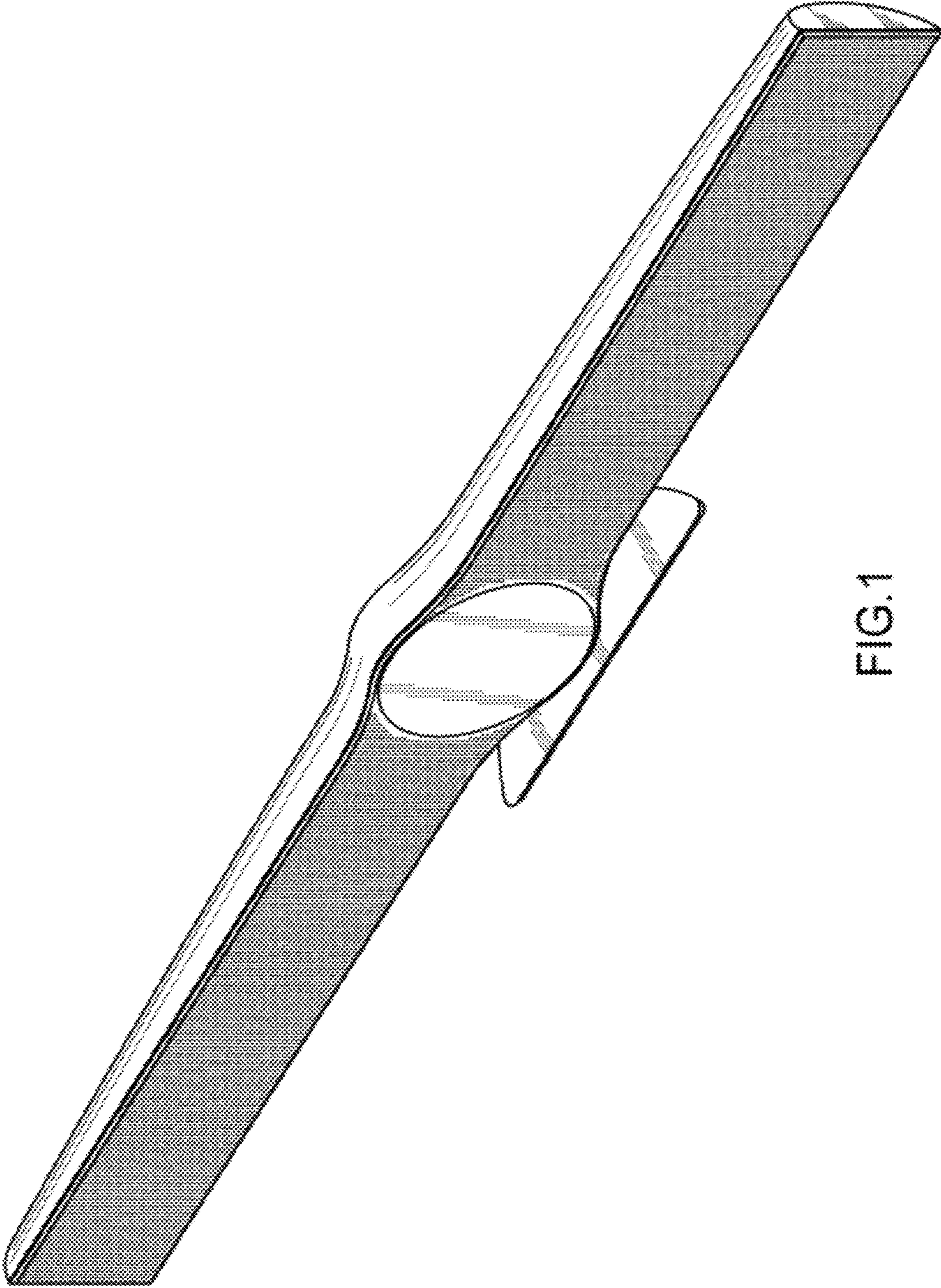


FIG. 1



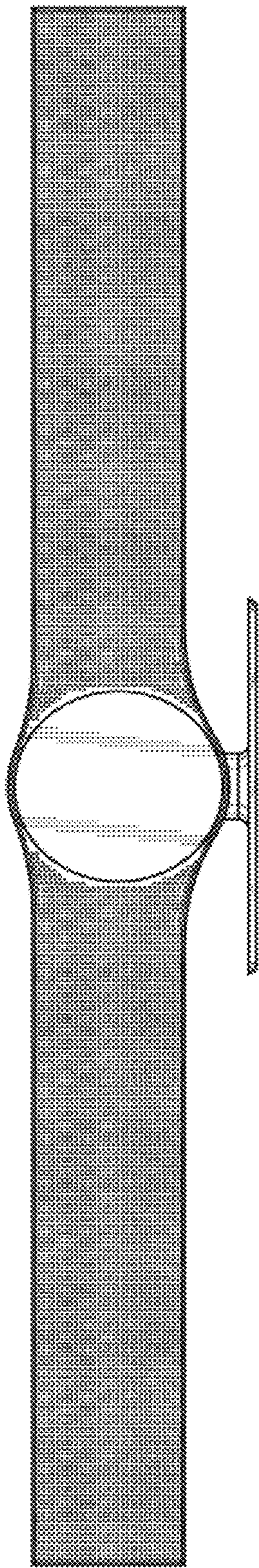


FIG. 2

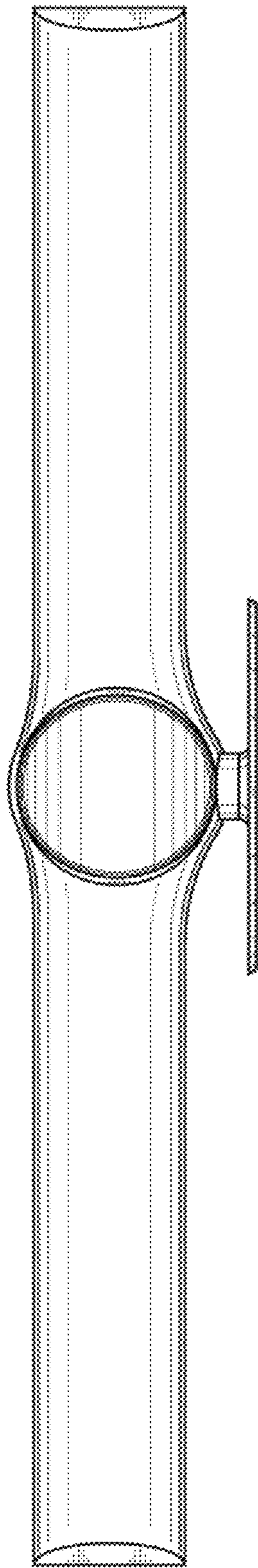


FIG. 3

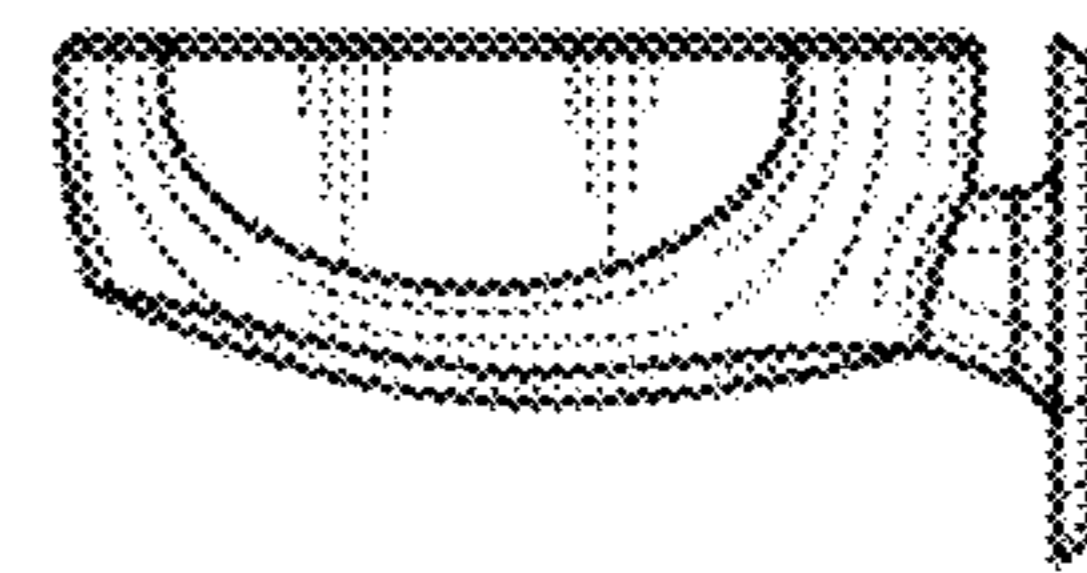


FIG. 4

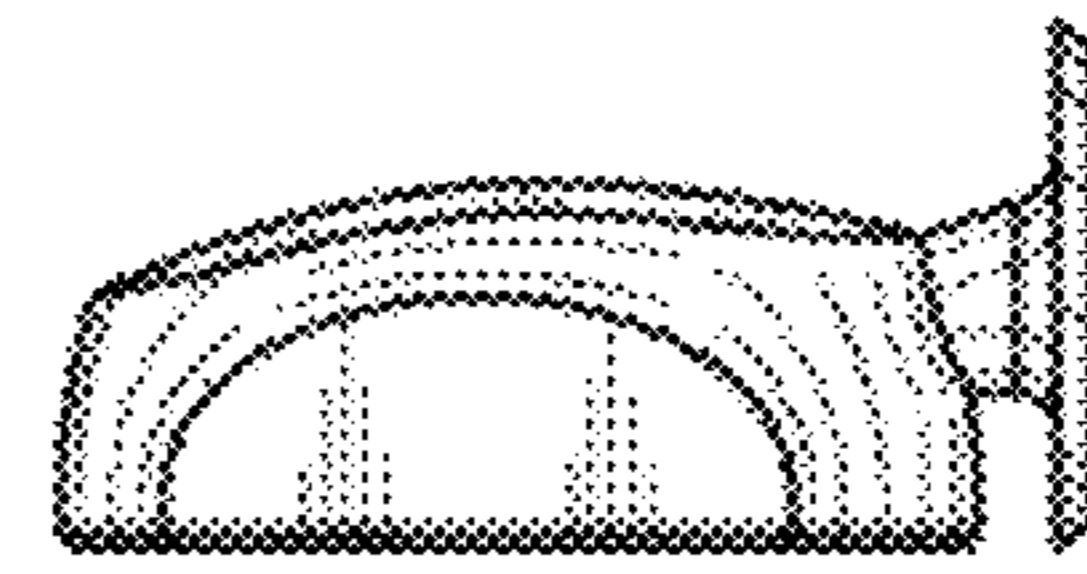


FIG. 5

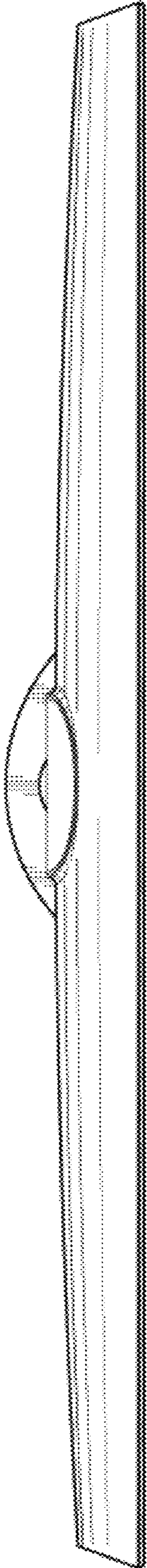


FIG. 6

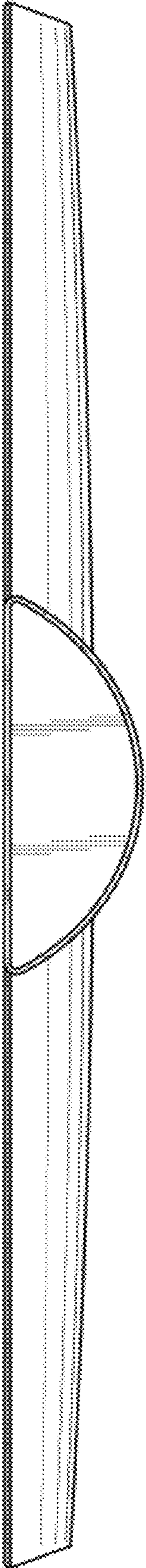


FIG. 7